

Page Title	Page Number
ENGINE AND ACCESSORIES - ENGINE . ROD . DRAIN	2
CYLINDER BLOCK - AT6.354.4 ENGINE	6
FLYWHEEL HOUSING - AT6.354.4 ENGINE	10
FLYWHEEL AND STARTER RING - AT6.354.4 ENGINE	12
CRANKSHAFT, PISTONS AND CONNECTING RODS - AT6.354.4 ENGINE	14
CYLINDER HEAD - AT6.354.4 ENGINE	18
ROCKER SHAFT - AT6.354.4 ENGINE	20
ENGINE LIFTING - AT6.354.4 ENGINE	24
TURBOCHARGER - AT6.354.4 ENGINE	26
TURBOCHARGER - AT6.354.4 ENGINE	28
TURBOCHARGER-INLET AND EXHAUST MANIFOLD - AT6.354.4 ENGINE	30
TURBOCHARGER-PIPES AND HEAT SHIELDS - AT6.354.4 ENGINE	32
TIMING GEAR AND CAMSHAFT - AT6.354.4 ENGINE	36
FRONT END DRIVE INPUT AND OUTPUT - AT6.354.4 ENGINE	40
AUXILIARY DRIVE - AT6.354.4 ENGINE	42
LUBRICATING OIL PUMP AND DELIVERY HOUSING - AT6.354.4 ENGINE	44
LUBRICATING OIL SUMP - AT6.354.4 ENGINE	46
LUBRICATING OIL FILLER AND BREATHER - AT6.354.4 ENGINE	48
LUBRICATING OIL FILTER AND INTEGRAL COOLER - AT6.354.4 ENGINE	50
LUBRICATING OIL FILTER AND INTEGRAL COOLER-CONTINUATION - AT6.354.4 ENGINE	52
WATER PUMP, THERMOSTAT AND HEAT EXCHANGER - AT6.354.4 ENGINE	54
WATER OUTLET AND INLET - AT6.354.4 ENGINE	58
GEAR DRIVE AUXILIARY DRIVE OPTIONS - AT6.354.4 ENGINE	60
FUEL INJECTION EQUIPMENT (DIESEL) - AT6.354.4 ENGINE	62
COLD START SYSTEM - AT6.354.4 ENGINE	66
LOW PRESSURE FUEL SYSTEM - AT6.354.4 ENGINE	68
JOINTS AND GASKETS-TOP SERVICE KIT - AT6.354.4 ENGINE	72
JOINTS AND GASKETS-BOTTOM SERVICE KIT - AT6.354.4 ENGINE	74
STARTER MOTOR - AT6.354.4 ENGINE	76
STARTER-LUCAS - DETAIL	78
ALTERNATOR AND GENERATOR - AT6.354.4 ENGINE	80
ALTERNATOR-LUCAS - DETAIL	84
ELECTRICAL EQUIPMENT	86
RADIATOR	88
RADIATOR - TUBES	90
ROTATING AIR INTAKE	92
FUEL TANK AND ATTACHMENTS - 300 L	94
FUEL TANK AND ATTACHMENTS - TUBE	96
FUEL TANK AND ATTACHMENTS - COWL	98
EXHAUST SYSTEM	100
AIR FILTER - DETAIL	102
AIR PRE FILTER	104
ENGINE FRAME	106
MOTOR COVER	108
MOTOR COVER - PARTITION	112
ELEVATOR	114
ELEVATOR - UPPER SHAFT	118
ELEVATOR - DRUM	120
ELEVATOR - CHAIN	122
CYLINDER HOUSING - LEFT SIDE	124
CYLINDER HOUSING - RIGHT SIDE	126
CYLINDER HOUSING - INTERNAL COMPONENTS	128
CYLINDER HOUSING - DOOR-COVER	130
SEPARATOR CLUTCH - CONTROLS	132
SEPARATOR CLUTCH	136
REAR BEATER - DRIVING	138
REAR BEATER	140
CYLINDER	142
CYLINDER - DRIVE GEAR BOX- GEAR TRAIN	146
CYLINDER - DRIVE GEAR BOX	148
CYLINDER - DRIVE	150
CONCAVE - UNIVERSAL	152
CONTROL LINKAGE	154
CONTROL LINKAGE - REAR	158
STONE STRAP	162
CASCADE SEPARATOR - HOOD-DOOR	164

TABLE OF CONTENT

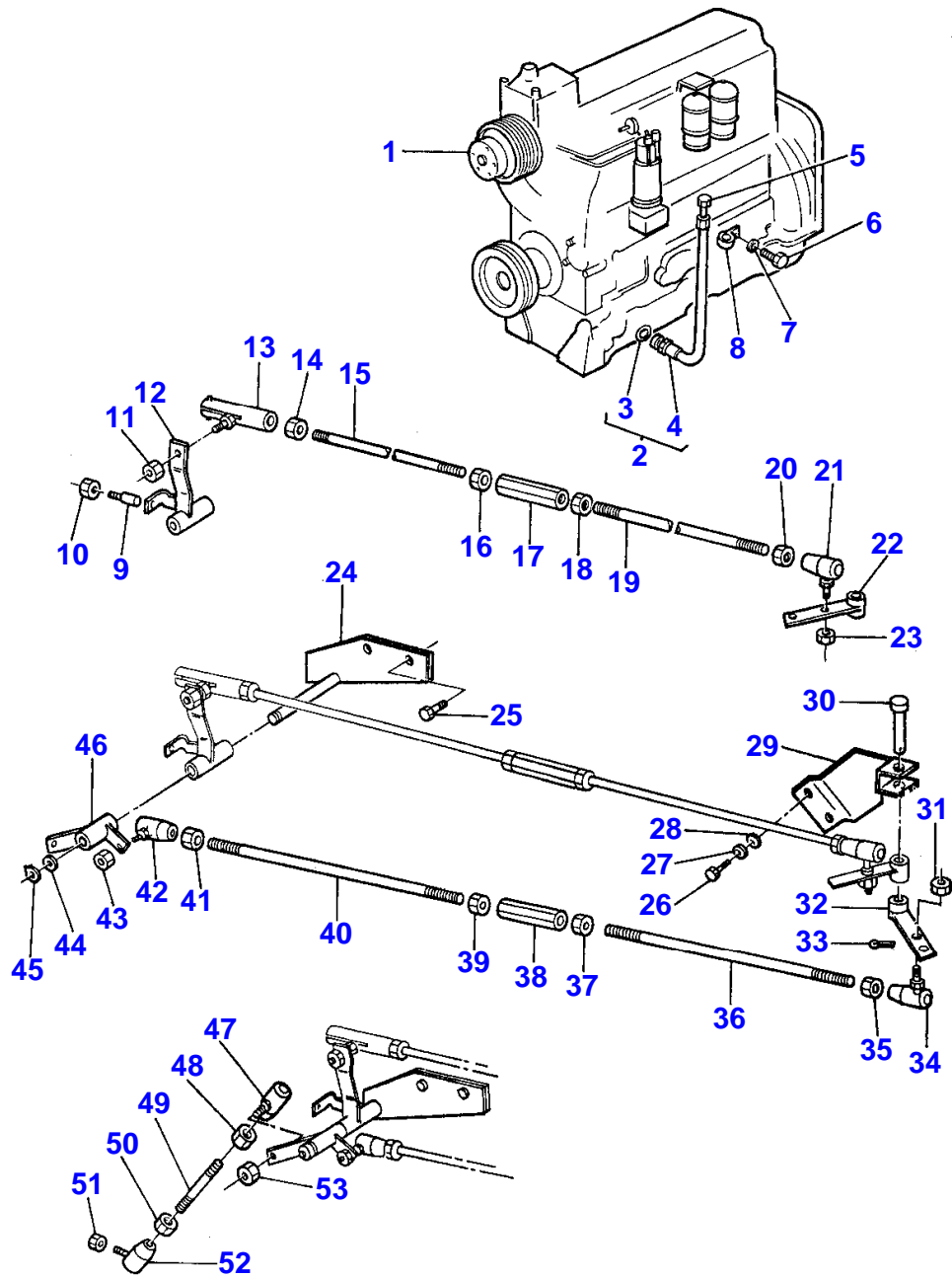
CASCADE SEPARATOR - HOOD - INTERNAL COMPONENTS	166
CASCADE SEPARATOR - BELT - DRIVE	168
CASCADE SEPARATOR - GRAIN ELEVATOR - LOWER COMPONENT	170
CASCADE SEPARATOR - GRAIN ELEVATOR - UPPER COMPONENT	174
CASCADE SEPARATOR - CONTROL	178
CASCADE SEPARATOR - MECHANISM	180
CASCADE SEPARATOR - GUARDS - INTERNAL COMPONENTS	182
CASCADE SEPARATOR - GUARDS - EXTERNAL COMPONENTS	186
CASCADE SEPARATOR - MISCELLANEOUS	188
SHAKER SHOE - SHAKER SHOE DOUBLE SHOE - INTERNAL COMPONENTS	190
SHAKER SHOE - SHAKER SHOE DOUBLE SHOE - EXTERNAL COMPONENTS	192
SHAKER SHOE - SHAKER SHOE DOUBLE SHOE - EXTERNAL COMPONENTS	194
SHAKER SHOE - SHAKER SHOE TRIPLE SHOE - INTERNAL COMPONENTS	196
SHAKER SHOE - SHAKER SHOE TRIPLE SHOE - EXTERNAL COMPONENTS	198
SHAKER SHOE - HILLSIDE KIT	200
SCREEN - UPPER SHOE . SHAKER SHOE DOUBLE SHOE	202
SCREEN - LOWER SHOE . SHAKER SHOE DOUBLE SHOE	204
SCREEN - UPPER SHOE . SHAKER SHOE TRIPLE SHOE	206
SCREEN - MIDDLE SHOE . SHAKER SHOE TRIPLE SHOE	208
SCREEN - LOWER SHOE . SHAKER SHOE TRIPLE SHOE	210
SCREEN - FOURTH SHOE . SHAKER SHOE TRIPLE SHOE	212
SCREEN - DRIVE-UPPER COMPONENTS	214
SCREEN - DRIVE-LOWER COMPONENTS	216
FANNING HILL	218
FANNING HILL - GUARDS	222
SHAKER SHOE DRIVE	224
PAN	226
PAN - CONTROLS	228
STRAW WALKER - UPPER DRIVE	230
STRAW WALKER - LOWER DRIVE	232
STRAW WALKER	234
STRAW WALKER BODY - EXTERNAL COMPONENTS	236
STRAW WALKER BODY - INTERNAL COMPONENTS	240
GLEANINGS ELEVATOR - UPPER COMPONENTS	242
GLEANINGS ELEVATOR - LOWER COMPONENT	244
GLEANINGS ELEVATOR - SLINGER HOUSING	248
RETURN ELEVATOR ALARM ARRANGEMENT	250
ALARM	252
MAIN FRAME	254
MAIN FRAME - REINFORCEMENT	256
MAIN FRAME - DOOR	260
HOOD	262
GRAIN TANK - LEFT COMPONENT	264
GRAIN TANK - RIGHT COMPONENT	266
GRAIN TANK - EXTENSION	268
GRAIN TANK - LOWER COMPONENT	272
GRAIN TANK - LOWER AUGER	274
GRAIN TANK - REAR PANEL	276
AUGER AND PITMAN CRANK	278
GRAIN ELEVATOR - LOWER COMPONENT	280
GRAIN ELEVATOR - UPPER COMPONENTS	282
GRAIN ELEVATOR - CHAIN	286
UNLOADER DRIVE AND CONTROLS	288
AUGER LOWER - SPOUT	292
AUGER LOWER - MECHANISM	294
FLYWHEEL	296
TRANSMISSION - RIGHT SIDE	300
TRANSMISSION - LEFT SIDE	304
COUNTER SHAFT AND CLUTCH	306
COUNTER SHAFT AND CLUTCH - LUBRICATION	310
SECONDARY COUNTERSHAFT	312
TRACTION DRIVE - VARIATOR	314
TRACTION CLUTCH	316
TRACTION CLUTCH - CONTROL	318
TRACTION CLUTCH - PEDAL	320
TRACTION CLUTCH - HYDRAULIC	322
FRONT AXLE FINAL DRIVE-4 WHEEL DRIVE	324
TRANSMISSION GEAR BOX - COVER-HOUSING	328

TABLE OF CONTENT

TRANSMISSION GEAR BOX - INPUT SHAFT	330
TRANSMISSION GEAR BOX - SECOND MOTION SHAFT	332
TRANSMISSION GEAR BOX - GEAR	334
TRANSMISSION GEAR BOX - DIFFERENTIAL	336
TRANSMISSION GEAR BOX - DRIVE-UPPER COMPONENTS	338
TRANSMISSION GEAR BOX - DRIVE-LOWER COMPONENTS	342
FRONT AXLE	344
FRONT WHEELS	348
HAND BRAKE	350
GEARBOX PARKING BRAKE - CONTROLS	352
GEARBOX PARKING BRAKE	354
BRAKES OPERATING - HYDRAULIC	356
BRAKES OPERATING - PEDAL	358
BRAKES OPERATING - PEDAL	360
DRUM BRAKE	362
OPERATORS PLATFORM	364
OPERATORS PLATFORM - CONTROLS	368
OPERATORS PLATFORM - RAIL WITHOUTCAB	370
OPERATORS PLATFORM - RAIL WITHCAB	372
OPERATORS PLATFORM	374
OPERATORS PLATFORM - RICE TRACK LADDER EXTENSION	376
SEAT - SIFRA TP14 ZA	378
SEAT - SIFRA GL14	380
SPRING SUPPORT	382
SPRING SUPPORT - WITHOUTCAB	384
CONTROL PANEL - HOUSING	386
CONTROL PANEL - GUARD LOWER	390
CONTROL PANEL - SOUND INSULATION	392
CONTROL PANEL - LEVER	394
CONTROL PANEL - LEVER WITH A.T.H.C	398
CONTROL PANEL - CABLE	400
CONTROL PANEL - CABLE WITH A.T.H.C	402
INSTRUMENTS - SUPPORT	404
INSTRUMENTS - INSTRUMENTS-SWITCH	406
INSTRUMENTS - JUNCTION	408
INSTRUMENTS - JUNCTION	412
CAB - FRONT	414
CAB - REAR	416
CAB - RIGHT	418
CAB - LEFT	420
CAB - CONSOLE	422
CAB - MISCELLANEOUS	424
CAB - FLOOR	426
CAB - WIRING	428
AIR CONDITIONNER-COMPRESSOR - KYSOR	430
AIR CONDITIONNER-COMPRESSOR - KYSOR-BRACKET AND ASSEMBLING	432
AIR CONDITIONNER-CONDENSOR - KYSOR	434
AIR CONDITIONNER-CONDENSOR - BRACKET	438
AIR CONDITIONNER-EVAPORATOR - KYSOR	440
AIR CONDITIONNER-EVAPORATOR - KYSOR	442
STEERING COLUMN	444
STEERING COLUMN - HOUSING	446
STEERING COLUMN - ADJUSTING	448
STEERING PUMP	450
SAFETY BLOCK	452
REAR AXLE	454
REAR AXLE - IMPELLER HUB	456
REAR WHEELS	458
HYDRAULIC CIRCUIT - CONTAINER-PUMP-VALVE	460
HYDRAULIC CIRCUIT - REEL	462
HYDRAULIC CIRCUIT - TABLE LIFT	464
HYDRAULIC CIRCUIT - TABLE LIFT- WITH A.T.H.C	466
HYDRAULIC CIRCUIT - STEERING	470
HYDRAULIC CIRCUIT - TRACTION VARIATOR	474
HYDRAULIC CIRCUIT - REAR BEATER CLUTCH	476
HYDRAULIC CIRCUIT - DISCHARGE CHUTE	478
HYDRAULIC PUMP	482
CONTROL VALVE - UPPER COMPONENTS	484

TABLE OF CONTENT

CONTROL VALVE - LOWER COMPONENT	486
RAM FOR TRACTION	488
RAM FOR STEERING	490
RAM FOR TABLE LIFT - RIGHT	492
RAM FOR TABLE LIFT - LEFT	494
UNLOADER SPOUT ARRANGEMENTS	496
LIGHTING - FRONT	498
LIGHTING - LAMP	500
LIGHTING - LAMP- GERMANY	502
LIGHTING - REAR	504
LIGHTING - HARNESS- REAR	506
LIGHTING - SIGNALLING	508
LIGHTING - HAPPER SPOTLIGHT	510
LIGHTING - ROTATING LIGHT-S.E.V	512
LIGHTING - ROTAING LIGHT-HELLA	514
LIGHTING - FIELD LIGHTS	516
LIGHTING - SUPPORT (REFLECTOR)	518
LIGHTING - REAR	520
MIRRORS	522
TOOLS	524
TRANSFERS	526
TRANSFERS	528
WEIGHT FRAME AND WEIGHTS	532
WHEEL WEDGES	534
GUARDS - GERMANY	536
GUARDS - LEFT SIDE	538
GUARDS - ELEVATOR	540
ELEVATOR - RICE MACHINES .COWL. FUEL TANK	542
FANNING HILL - RICE MACHINES .COWL. FANNING HILL	544
CONCAVE - RICE MACHINE- TEETH WITH SPATULA	546
CONCAVE - RICE MACHINE- CONICAL TEETH	548
CYLINDER - RICE MACHINE- TEETH WITH SPATULA	550
CYLINDER - RICE MACHINE- CONIC TEETH	552
FRONT AXLE FINAL DRIVE-4 WHEEL DRIVE	554
REAR AXLE - RICE MACHINES .COWL. FUEL TANK	558
REAR AXLE - RICE MACHINE	562
FUEL TANK AND ATTACHMENTS - RICE MACHINES .COWL. FUEL TANK	564
WHEELS - RICE MACHINES .COWL. FUEL TANK	566
TRACK CHAIN	568
TRACK CHAIN	570
UNDERCARRIAGE	572
UNDERCARRIAGE	574
TRACK CHAIN - GUARDS RICE TRACK	576
CAB HEATING KIT - CODE 511	578
STRAWWALKER RISERS - CODE 517	580
KIT DRIVE RIGHT HAND FOR 5 ROWS CORN HEADER - CODE 518	582
KIT 3 LOWER SIEVES-DIAMETER 1/4,3/8,1/2. - CODE 525	584
SHAFT SPEED MONITOR - CODE 540	586
GRAIN LOSS MONITOR	592
HEIGHT CUT OFF INDICATOR KIT - CODE 562	596
MAIZE EQUIPMENT - CODE 552	598
FANNING MILL BLADES-SMALL SEED	602
CAB - CODE 564 - 566	604



1-0010-090

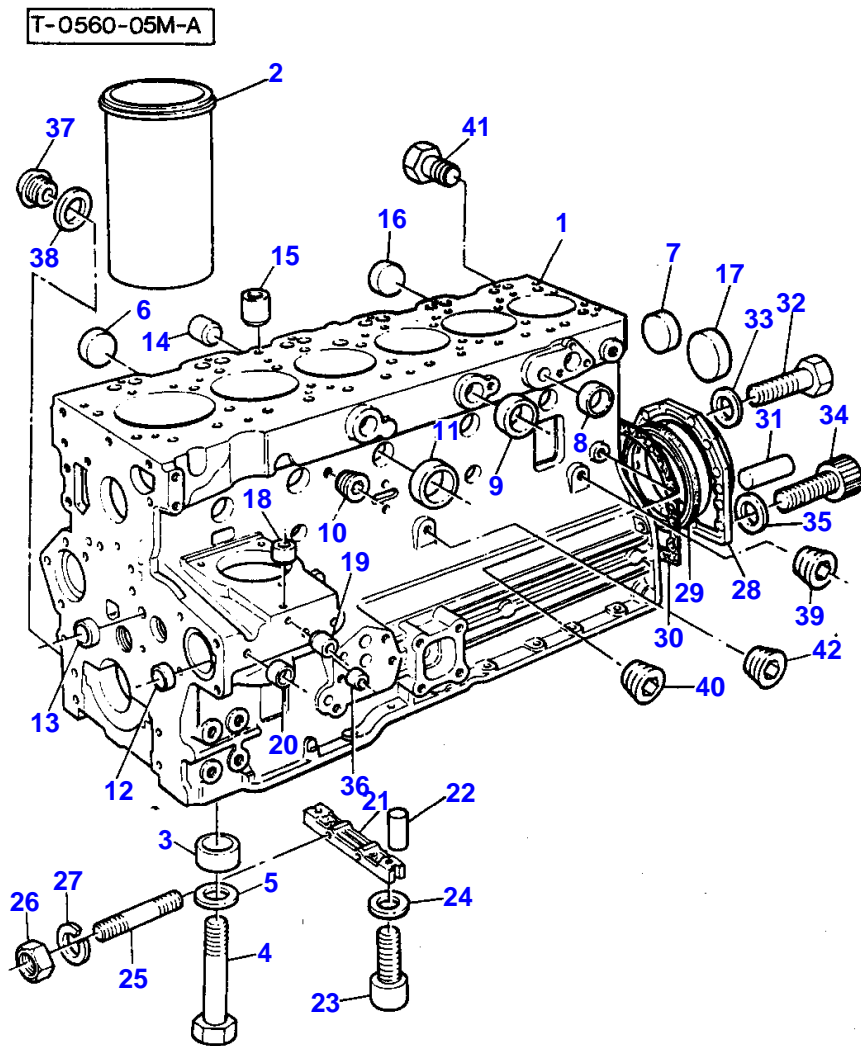
MASSEY FERGUSON**MF 830/835 COMBINES - 1637139**

1637139

ENGINE AND ACCESSORIES - ENGINE . ROD . DRAIN

2

Item	Part Number	Qty	Description	Comments
				ENGINE . ROD . DRAIN
1	3376351M91	1	Engine	
2	3371689M91	1	Hydr Hose	
3	831497M1	2	O Ring	(2)
4		1	Hydr Hose	(2)
5	356446X1	1	Plug	
6	361444X1	1	Screw	
7	0920053	1	Washer	
8	360059X1	1	Tie	
9	271675M1	1	Clevis Pin	
10	358656X1	1	Nut	
11	0576150	1	Nut	
12	3044950M91	1	Lever	
13	3045157M91	1	Toggle	
14	0576150	1	Nut	
15	3044979M1	1	Stem	
16	0576150	1	Nut	
17	525396M1	1	Buckle	
18	338160X1	1	Nut	
19	3049619M1	1	Stem	
20	0576150	1	Nut	
21	3052849M1	1	Toggle	
22	3044960M91	1	Lever	
23	0576150	1	Nut	
24	3044956M91	1	Bearer	
25	353540X1	2	Screw Unf	
26	353517X1	2	Screw Unf	
27	0920053	2	Washer	
28	0920497	2	Washer	
29	3049017M91	1	Bearer	
30	195612M1	1	Pin	
31	0576150	1	Nut	
32	3044963M91	1	Lever	
33	354057X1	1	Pin	
34	3052849M1	1	Toggle	
35	0576150	1	Nut	
36	3049619M1	1	Stem	
37	338160X1	1	Nut	
38	525396M1	1	Buckle	
39	0576150	1	Nut	
40	3044979M1	1	Stem	
41	0576150	1	Nut	
42	3052849M1	1	Toggle	
43	0576150	1	Nut	
44	353756X1	1	Washer	
45	355848X1	1	Snapring	
46	3044952M91	1	Lever	
47	3052849M1	1	Toggle	
48	0576150	1	Nut	
49	3044982M1	1	Stem	
50	0576150	1	Nut	
51	357515X1	1	Nut Unf	
52	3045150M91	1	Toggle	
53	0576150	1	Nut	



Item	Part Number	Qty	Description	Comments
				AT6.354.4 ENGINE
1	ZZ 50008	1	Kit,Cyl.Block	Repairs and replaces ZZ50043
				Repairs and replaces 63614
2	31358393	6	Liner	(1)
				(A)
2	31358394	X	Liner	(B)
3	33142111	14	Thimble	(1)
4	32166329	14	Bolt	(1)
5		14	Washer	(D)
6	32418117	6	Plug	(1)
				Repairs and replaces 0650618
7	32418117	2	Plug	(1)
				Repairs and replaces 0650618
8	0650692	1	Plug	(1)
				Repairs and replaces 0650664
9	0650710	4	Plug	(1)
10	2431A054	1	Plug	(1)
				Repairs and replaces 0650586
11	32416116	5	Plug	(1)
				Repairs and replaces 32417155
				Repairs and replaces 32418121
12	32417115	1	Plug	
13	0650566	2	Plug	
14	32417133	1	Plug	
15	32417134	1	Plug	
16	32418117	6	Plug	Repairs and replaces 0650618
17	32416105	1	Plug	
18	32417134	1	Plug	
19	32417134	1	Plug	
20	32417127	2	Plug	
21	3627P011	1	Bridge Piece	Repairs and replaces 36277825
				Repairs and replaces 36277833
22	32811408	2	Joint	(C)
23	2172514	2	Screw	Repairs and replaces 2176369
24	0920521	2	Washer	(C)
25	0826201	2	Stud	
26	0576002	2	Nut	
27	0920053	2	Washer	
28	4142V064	1	Housing	Repairs and replaces 4142V061
				Repairs and replaces 4142V031
				Repairs and replaces 37513851
29	2418F475	1	Seal	(29)
				Repairs and replaces 2415391
30	36817157	1	Joint	
31	0350009	2	Dowel	
32	0746211	10	Bolt	
33	0920003	10	Washer	
34	2172530	2	Capscrew	
35	33112111	2	Washer	
36	32417143	1	Plug	
37	32168232	4	Plug	Repairs and replaces 32168231
38	2411157	4	Washer	
39	2431131	1	Plug	
40	0650593	1	Plug	
41	32161114	1	Plug	Repairs and replaces 32161357
42	2431131	1	Plug	
				(A) PRESS FIT
				(B) SLIP FIT
				(C) USED ONLY WITH 36277831/36277833. NOT REQUIRED WITH 36277825/3627P011.
				(D)

MASSEY FERGUSON

MF 830/835 COMBINES - 1637139

1637139

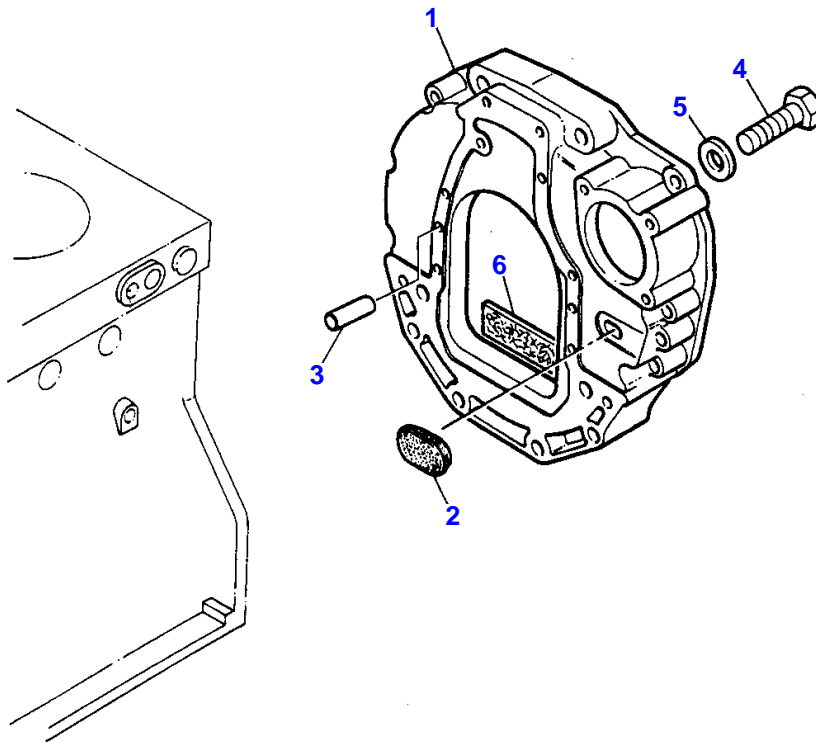
CYLINDER BLOCK - AT6.354.4 ENGINE

6

Item Part Number Qty Description Comments

NO LONGER REQUIRED ON THIS APPLICATION

T-0596-05M-A



MASSEY FERGUSON

MF 830/835 COMBINES - 1637139

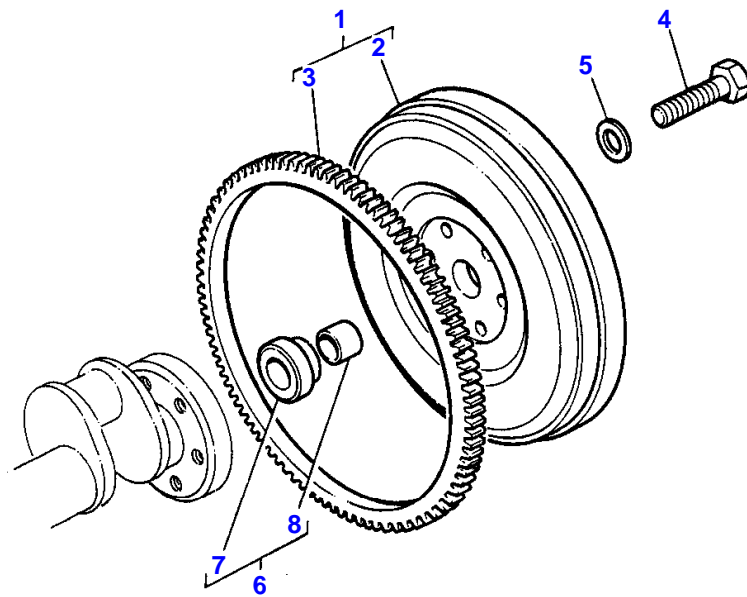
1637139

FLYWHEEL HOUSING - AT6.354.4 ENGINE

10

Item	Part Number	Qty	Description	Comments
				AT6.354.4 ENGINE
1	37147644	1	Plate	
2	37813113	1	Plug	
3	32455119	2	Dowel	
4	0746424	6	Bolt	
5	33115129	6	Washer	
6	36843154	1	Cover	(A)
				(A)
				WAS 36125305/0746253(3)/0920003(3)/0920053(3)

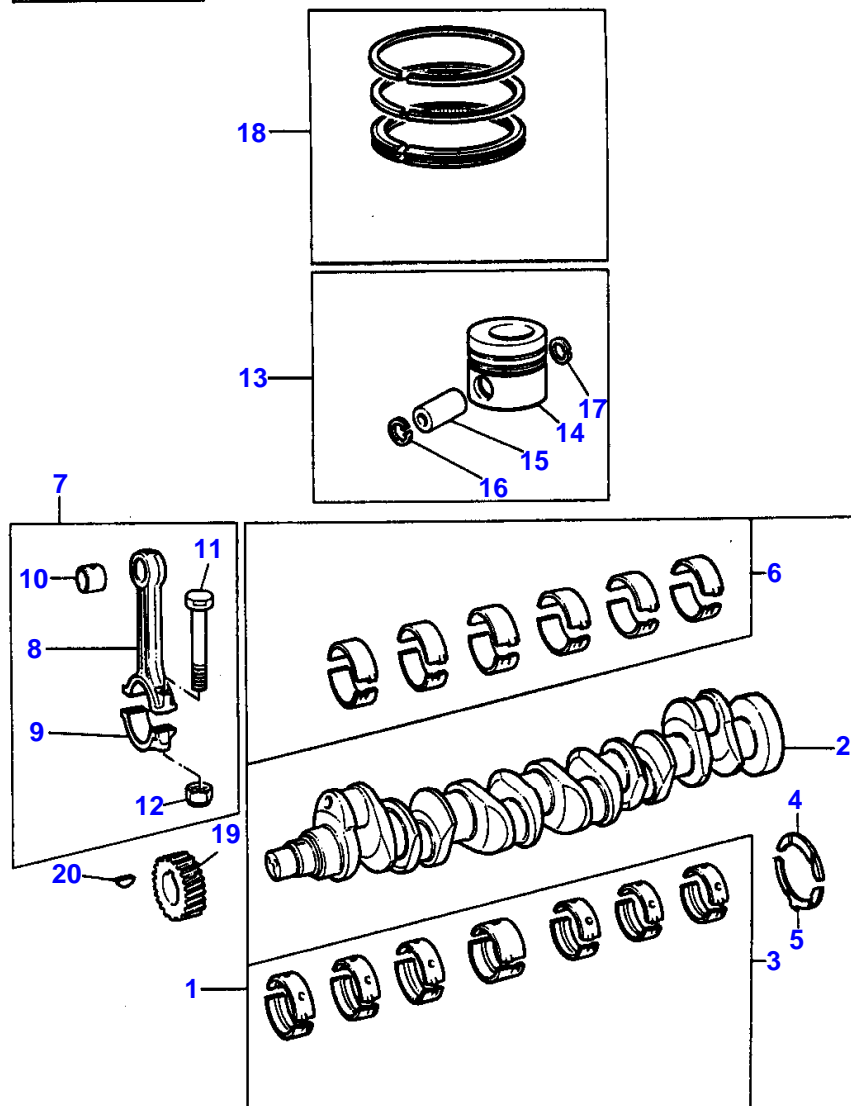
T-0600-03M-A



FLYWHEEL AND STARTER RING - AT6.354.4 ENGINE

Item	Part Number	Qty	Description	Comments
				AT6.354.4 ENGINE
1	41117291	1	Flywheel	Repairs and replaces 41117088
2		1	Flywheel	(1) Not serviced, order REF 1
3	0410264	1	Gear,Starterring	(1) Number of teeth/spines 122
4	0746853	6	Bolt	
5	33117127	6	Washer	Repairs and replaces 33117121
6	41425217	1	Adaptor	Repairs and replaces 41425216
7		1	Adaptor	(6) Not serviced, order REF.6
8	2513246	1	Bush	(6)

T-0563-02M-A



Buy Now



Our support email:

ebooklibonline@outlook.com