

Page Title	Page Number
ENGINE AND ACCESSORIES	1
ENGINE ACCESSORIES	2
FAN	3
CYLINDER BLOCK - AT4.236 ENGINE	4
FLYWHEEL AND STARTER RING - AT4.236 ENGINE	5
CRANKSHAFT, PISTONS AND CONNECTING RODS - AT4.236 ENGINE	6
CYLINDER HEAD - AT4.236 ENGINE	7
ROCKER SHAFT - AT4.236 ENGINE	8
TURBOCHARGER - AT4.236 ENGINE	9
TURBOCHARGER-INLET AND EXHAUST MANIFOLD - AT4.236 ENGINE	10
TURBOCHARGER-PIPES AND HEAT SHIELDS - AT4.236 ENGINE	11
ENGINE LIFTING - AT4.236 ENGINE	12
TIMING GEAR AND CAMSHAFT - AT4.236 ENGINE	13
FRONT END DRIVE INPUT AND OUTPUT - AT4.236 ENGINE	14
LUBRICATING OIL SUMP - AT4.236 ENGINE	15
LUBRICATING OIL FILLER AND BREATHER - AT4.236 ENGINE	16
LUBRICATING OIL FILTER AND INTEGRAL COOLER - AT4.236 ENGINE	17
WATER PUMP, THERMOSTAT AND HEAT EXCHANGER - AT4.236 ENGINE	18
WATER OUTLET AND INLET - AT4.236 ENGINE	19
FAN AND EXTENSION - AT4.236 ENGINE	20
GEAR DRIVE AUXILIARY DRIVE OPTIONS - AT4.236 ENGINE	21
BALANCER UNIT - AT4.236 ENGINE	22
FUEL INJECTION EQUIPMENT (DIESEL) - AT4.236 ENGINE	23
COLD START SYSTEM - AT4.236 ENGINE	24
LOW PRESSURE FUEL SYSTEM - AT4.236 ENGINE	25
JOINTS AND GASKETS-TOP SERVICE KIT - AT4.236 ENGINE	26
JOINTS AND GASKETS-BOTTOM SERVICE KIT - AT4.236 ENGINE	27
ALTERNATOR POSITIONER - AT4.236 ENGINE	28
ENGINE ACCESSORIES	29
BATTERY	30
BATTERY	31
BATTERY	32
ALTERNATOR	33
ALTERNATOR-MOTOROLA	34
ALTERNATOR-LUCAS	35
STARTER-LUCAS	36
STARTER - PERKINS	37
FUEL TANK AND ATTACHMENTS	38
FUEL FILTERS AND PIPES	39
FUEL FILTER	40
AIR FILTER	41
AIR FILTER	42
AIR FILTER-OIL BATH AIR FILTER	43
MUFFLER VERTICAL	44
COOLING SYSTEM	45
THROTTLE CONTROLS - HAND	46
THROTTLE CONTROLS - FOOT	47
THROTTLE CONTROLS - PULL STOP	48
SINGLE CLUTCH	49
PEDAL AND LINKAGE-SINGLE CLUTCH	50
12 SPEED TRANSMISSION-SHIFT CONTROL - WITH CAB	51
12 SPEED TRANSMISSION-FORK AND GEAR SHIFTRAIL - SYNCHRO- ZF	52
12 SPEED TRANSMISSION-HOUSING	53

12 SPEED TRANSMISSION-INPUTSHAFT	54
12 SPEED TRANSMISSION-COUNTERSHAFT - SYNCHRO- ZF- LOW RATIO	55
12 SPEED TRANSMISSION-MAIN SHAFT - SYNCHRO- ZF- UP TO SERIAL NUL166...	56
12 SPEED TRANSMISSION-MAIN SHAFT - SYNCHRO- ZF- FROM SERIAL L166...	57
EPICYCLIC UNIT-HEAVY DUTY	58
TRANSMISSION-SHIFT CONTROL - MULTIPOWER	59
MULTIPOWER TRANSMISSION-CONTROL - FROM SERIAL- T 220008	60
MULTIPOWER CONSTANTMESH TRANSMISSION-FORK AND GEAR SHIFTRAIL - SYNCHRO- ZF	61
MULTIPOWER TRANSMISSION-CONTROL	62
MULTIPOWER TRANSMISSION-HOUSING - SYNCHRO- ZF	63
MULTIPOWER CONSTANTMESH TRANSMISSION-INPUTSHAFT - SYNCHRO- ZF	64
MULTIPOWER CONSTANTMESH TRANSMISSION-MAIN SHAFT - SYNCHRO- ZF- UP TO SERIAL NUL166...	65
MULTIPOWER CONSTANTMESH TRANSMISSION-MAIN SHAFT - SYNCHRO- ZF- FROM SERIAL L166...	66
SYNCHRO - ZF MULTIPOWER TRANSMISSION	67
MULTIPOWER TRANSMISSION-COUNTERSHAFT - SYNCHRO- ZF- LOW RATIO	68
PTO-DRIVE MECHANISM-TWO SPEED	69
PTO-DRIVE MECHANISM-TWO SPEED - POWER TAKE-OFF LONG SHAFT	70
IPTO-CLUTCH AND VALVES - HIGH FLOW	71
IPTO-PIPES AND COVER - WITH IPTO	72
PTO-CONTROL	73
REAR AXLE-SPACER - 2 WHEEL DRIVE	74
TRANSFER GEAR BOX-ASSEMBLING	75
REAR AXLE CENTRE HOUSING	76
REAR AXLE-ATTACHMENTS	77
REAR AXLE-DIFFERENTIAL	78
REAR AXLE-DIFFERENTIAL LOCK MECHANISM	79
REAR AXLE- DIFFERENTIAL LOCK PEDAL	80
REAR AXLE-HOUSING	81
DISC BRAKES	82
HYDRAULIC BRAKE CONTROL-PEDAL	83
HYDRAULIC BRAKE CONTROL-PIPING	84
MAIN CYLINDER BRAKE	85
BRAKE CYLINDER	86
HANDBRAKE - LEFT SIDE	87
HANDBRAKE - LEFT SIDE	88
HANDBRAKE-LINKAGE - LEFT SIDE	89
REAR WHEELS	90
REAR WHEELS	91
REAR WHEELS - 12X38	92
POWER ASSISTED VARIABLE TRACK WHEEL	93
POWER ASSISTED VARIABLE TRACK WHEEL	94
FRONT WHEELS-2 WHEEL DRIVE	95
FRONT WHEELS-2 WHEEL DRIVE	96
FRONT WHEELS-4 WHEEL DRIVE	97
FRONT WHEELS-4 WHEEL DRIVE - POWER ASSISTED VARIABLE TRACK WHEELS	98
FRONT WHEELS-4 WHEEL DRIVE	99
FRONT WHEELS-4 WHEEL DRIVE	100
FRONT AXLE - WHEEL HUB	101
FRONT AXLE-2 WHEEL DRIVE	102
AXLE SUPPORT	103
HYDROSTATIC- STEERING - TO 36 DEGREE- STEERING WHEEL	104
HYDROSTATIC- STEERING - STEERING WHEEL ADJUSTABLE FOR CAB	105

STEERING WHEEL	106
STEERING UNIT-ORBITROL DANFOSS	107
STEERING HYDRAULIC LINES	108
HYDROSTATIC STEERING-2 WHEEL DRIVE	109
HYDROSTATIC- STEERING-4 WHEEL DRIVE	110
HYDROSTATIC- STEERING-4 WHEEL DRIVE - OIL COOLER	111
STEERING PUMP-AIR EQUIPEMENT	112
STEERING CYLINDER-2 WHEEL DRIVE	113
STEERING CYLINDER-4 WHEEL DRIVE	114
STEERING LINKAGE-2 WHEEL DRIVE	115
HYDRAULIC PUMP DRIVE	116
HYDRAULIC PUMP-DUAL-AIR EQUIPMENT	117
INTERNAL LINES - WITH AUXILIARY PUMP	118
HYDRAULIC LINE	119
INTERNAL LINES - 8 SPEED- 12 SPEED- 2 WHEEL DRIVE	120
INTERNAL LINES - 12 SPEED 4 WHEEL DRIVE	121
INTERNAL LINES - MULTI POWER	122
HYDRAULIC VALVE - 12 SPEED 4 WHEEL DRIVE	123
HYDRAULIC VALVE - MULTI-POWER	124
OIL COOLER - HYDRAULIC LINES-2 WHEEL DRIVE-12 SPEED TRANSMISS	125
OIL COOLER - HYDRAULIC LINES- 12 SPEED AND MULTIPOWER TRANSMISS ION	126
OIL COOLER	127
TRAILOR BRAKE LINES	128
TRAILER BRAKE VALVE	129
DISTRIBUTOR - KONTAK	130
DISTRIBUTOR - ALGERIA	131
DISTRIBUTOR - KONTAK-DISTRIBUTOR CONTROL- FROM NO T270051	132
DISTRIBUTOR - KONTAK-DISTRIBUTOR CONTROL	133
DISTRIBUTOR - KONTAK-REAR HYDRAULIC LINES	134
DISTRIBUTOR - KONTAK-REAR SUPPORT- CAP-TRANSFER	135
DISTRIBUTOR - KONTAK-DELIVERY COMBINED	136
DISTRIBUTOR - KONTAK-DELIVERY SINGLE	137
DISTRIBUTOR - KONTAK-TRAILOR BRAKE DELIVERY	138
DISTRIBUTOR - KONTAK-TRAILOR BRAKE DELIVERY- FRENCH	139
DISTRIBUTOR - KONTAK-HOSE FOR TILTING TRAILER- WITHOUT HYDRAULIC MK 3	140
BREATHING FILTER	141
HYDRAULIC PUMP-BODY SHAFT PISTON - HIGH FLOW-IPTO	142
HYDRAULIC PUMP-OSCILLATOR VALVE	143
HYDRAULIC PUMP-STRAINER UNIT - HIGH FLOW-IPTO	144
HYDRAULIC PUMP-PRESSURE CONTROL VALVE	145
HYDRAULIC LIFT COVER	146
LIFT ARMS - RAM	147
LIFT ARMS	148
LIFT ARMS - WITH BACK BONE	149
LIFT ARMS - DRAFT AND POSITION CONTROLS	150
QUADRANT SUPPORT - DRIVE SHAFT	151
QUADRANT SUPPORT	152
DRAFT AND POSITION CONTROLS	153
DRAFT AND POSITION CONTROLS - EXTERNAL CONTROL- UP TO SERIAL NU T264036	154
DRAFT AND POSITION CONTROLS - EXTERNAL CONTROL-LOWER COMPONENTS- FROM SERIAL T26 4037	155
DRAFT AND POSITION CONTROLS - EXTERNAL CONTROL-UPPER COMPONENTS- FROM SERIAL T26 4037	156

TABLE OF CONTENT

RESPONSE CONTROLS - WHITHOUT HYDRAULIC MKIIIA	157
RESPONSE CONTROLS - CONTROL	158
RESPONSE CONTROLS - HYDRAULIC MKIIIA	159
RESPONSE CONTROLS - HYDRAULIC MKIIIA	160
RESPONSE CONTROLS - SELECTION VALVE	161
RESPONSE CONTROLS - CABLE CONTROL	162
TOP LINKS - UPPER LINK-SCALE	163
TOP LINKS - UPPER LINK-SCALE- WHIT POWER TAKE-OFF LONG SHAFT	164
TOP LINKS - UPPER LINK-SCALE	165
TOP LINKS - UPPER LINK-SCALE- BACK-BONE	166
TOP LINKS - UPPER LINK-SCALE- BACK-BONE	167
TOP LINKS - UPPER LINK-SCALE- WITH STANDARD HITCH YLO	168
LOWER LINKS - AUTOMATIC HOOK	169
LOWER LINKS - LEVELLING BOX	170
LOWER LINKS - LEVELLING BOX FOR LINKS DUTY	171
LOWER LINKS - LEVELLING BOX DRIVE	172
LOWER LINKS - LEVELLING BOX DRIVE	173
LOWER LINKS - BOTTOM BAR	174
LOWER LINKS - BOTTOM BAR-WITH AUTOMATIC HOOK- LINKS DUTY	175
LOWER LINKS - BOTTOM DUTY BAR	176
LOWER LINKS - BOTTOM BAR- WITH POWER TAKE-OFF LONG SHAFT	177
LOWER LINKS - BOTTOM BAR-WITH AUTOMATIC HOOK	178
LOWER LINKS - CHAIN	179
LOWER LINKS - ADJUSTABLE COUPLING	180
BACK BONE HYDRAULIC LIFT - BEAM	181
BACK BONE HYDRAULIC LIFT - BEAM	182
BACK BONE CYLINDER - DIAMETER 35MM	183
STABILIZERS - WITH 1 CYLINDER	184
STABILIZERS - WITH BACK BONE	185
STABILIZERS	186
STABILIZERS - POWER TAKE-OFF LONG SHAFT	187
STABILIZERS - WITH LINK YLO	188
HYDRAULIC LIFT CYLINDER - O 25 MM	189
HYDRAULIC LIFT CYLINDER - DIAMETER 25 MM	190
HYDRAULIC LIFT CYLINDER - WITH BACK BONE	191
HYDRAULIC LIFT CYLINDER - WITH 1 CYLINDER	192
HYDRAULIC LIFT CYLINDER	193
HYDRAULIC LIFT CYLINDER - LINKS DUTY	194
HYDRAULIC LIFT CYLINDER - WITH LINK YLO	195
HYDRAULIC LIFT CYLINDER	196
HITCH	197
HITCH - FRAME-DRAWBAR-HOOK	198
SWINGING DRAWBAR - FRANCE	199
HITCH-LEMOINE	200
HITCH - FRAME-BRACKET	201
HITCH - WITH HITCH-BOTTOM CONTROL	202
HITCH - WITH SWINGING DRAWBAR-BOTTOM CONTROL	203
HITCH - DRIVE-UPPER COMPONENTS	204
FRONT HITCH	205
WEIGHT	206
SHEET METAL-GRILLE	207
SHEET METAL-HOOD	208
TRACTOR CAB-CAB MOUNTINGS AND STEP / STAIRS	209
FOOTSTEP - FINLAND- 4 WHEEL DRIVE	210
TRACTOR CAB REAR PANELS CAB	211

## TABLE OF CONTENT

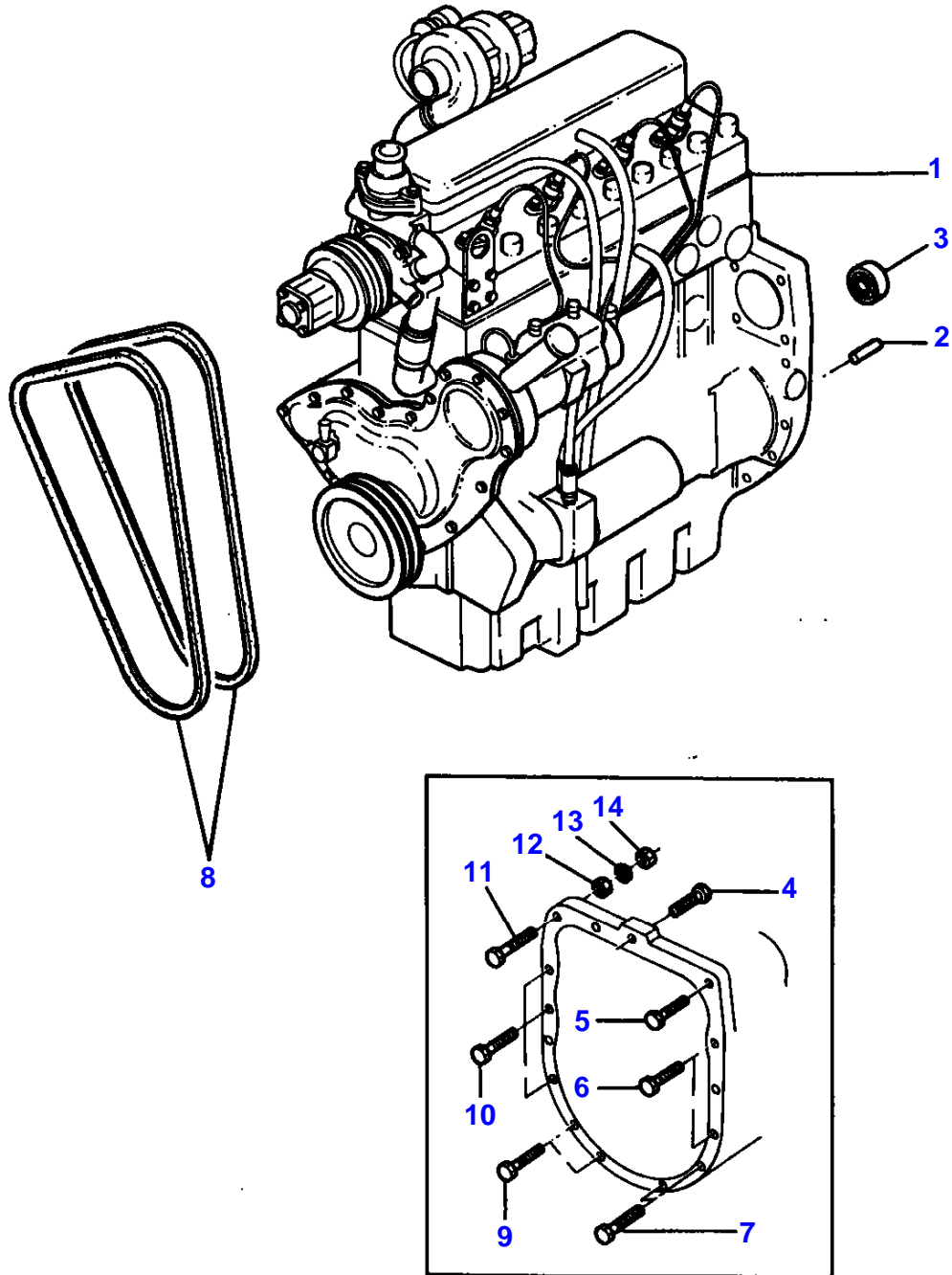
00

TRACTOR CAB-REAR PANELS CAB	211
TRANSFERS	212
SPEED CHARTS	213
SEAT-GRAMMER	214
SEAT-GRAMMER - CONTINUED	215
SEAT-GRAMMER - FINLAND	216
SEAT-GRAMMER	217
SEAT-GRAMMER - CONTINUED	218
SEAT-GRAMMER - PLATFORM	219
SEAT-GRAMMER - PLATFORM	220
SHEET METAL-INSTRUMENT PANEL	221
SHEET METAL-INSTRUMENT PANEL - POINTERS	222
SHEET METAL-INSTRUMENT PANEL - HOOD BRACKET AND INSTRUMENT PANEL	223
TRACTOR CAB - FENDERS-HANDBRAKE LEFT SIDE	224
TRACTOR CAB - FRAME	225
TRACTOR CAB - ROOF	226
TRACTOR CAB-VENTILATION	227
TRACTOR CAB-AIR CONDITIONER BRACKET	228
TRACTOR CAB-AIR CONDITIONER - UP TO NO CAB 26823	229
TRACTOR CAB-AIR CONDITIONER - FROM NO CAB 26824	230
TRACTOR CAB-CAB HEATER	231
AIR CONDITIONER - UP TO SERIAL NU T217008	232
AIR CONDITIONER - FROM SERIAL NU T217009	233
AIR CONDITIONER - UP TO SERIAL NU T217008	234
AIR CONDITIONER - FROM SERIAL NU T217009	235
AIR CONDITIONER - COMPRESSOR	236
TRACTOR CAB-WINDOWS	237
TRACTOR CAB-WINDOWS - REAR	238
TRACTOR CAB-CAB DOOR - WINDOW	239
TRACTOR CAB-CAB DOOR	240
TRACTOR CAB-CAB INSULATION - ROOF	241
TRACTOR CAB-CAB INSULATION - WITH HANDBRAKE LEFT SIDE	242
WINDSCREEN WIPER	243
WINDSCREEN WASHER	244
SUN VISOR	245
MIRRORS	246
MIRRORS - FINLAND	247
TOOL BOX	248
TRACTOR CAB-RADIO INSTALLATION	249
SHEET METAL-FLAT TOP FENDERS - FENDERS ET PLAFORM-HANDBRAKE LEFT SIDE	250
SAFETY FRAME - WITH PLATFORM	251
TRACTOR CAB - LICENSE PLATE- FRANCE	252
FENDER EXTENSION	253
FRONT LIGHTING EQUIPMENT	254
WIRING - ENGINE	255
WIRING - PANEL WIRING	256
WIRING - REAR- CAB	257
WIRING - REAR- PLATFORM	258
WIRING - ROOF	259
REAR LIGHTING EQUIPMENT - REAR LIGHT	260
REAR LIGHTING EQUIPMENT - WORKING LIGHT- CAB	261
REAR LIGHTING EQUIPMENT	262
REAR LIGHTING EQUIPMENT - WITH FENDER EXTENSION	263
TRACTOR CAB-CAB MISCELLANEOUS	264
FRONT AXLE HYDRAULIC CONTROL	265

TABLE OF CONTENT

ELECTRICAL WIRING - FRONT AXLE HYDRAULIC CONTROL	266
TRANSFER GEAR BOX-GEARS	267
GUARD AND TRANSMISSION SHAFT	268
FRONT LIVE AXLE - HOUSING-DIFFERENTIAL-CAT 2,5	269
FRONT LIVE AXLE - REDUCER-CAT 2,5	270
FRONT LIVE AXLE - REMOTE OILING- FROM SERIAL NUMBER U 04038	271
FRONT AXLE FINAL DRIVE-4 WHEEL DRIVE - UP TO NO L 137022- CAT.2,5	272
FRONT AXLE FINAL DRIVE-4 WHEEL DRIVE - FROM SERIAL L 137023- CAT.2,5	273

1-0010-091

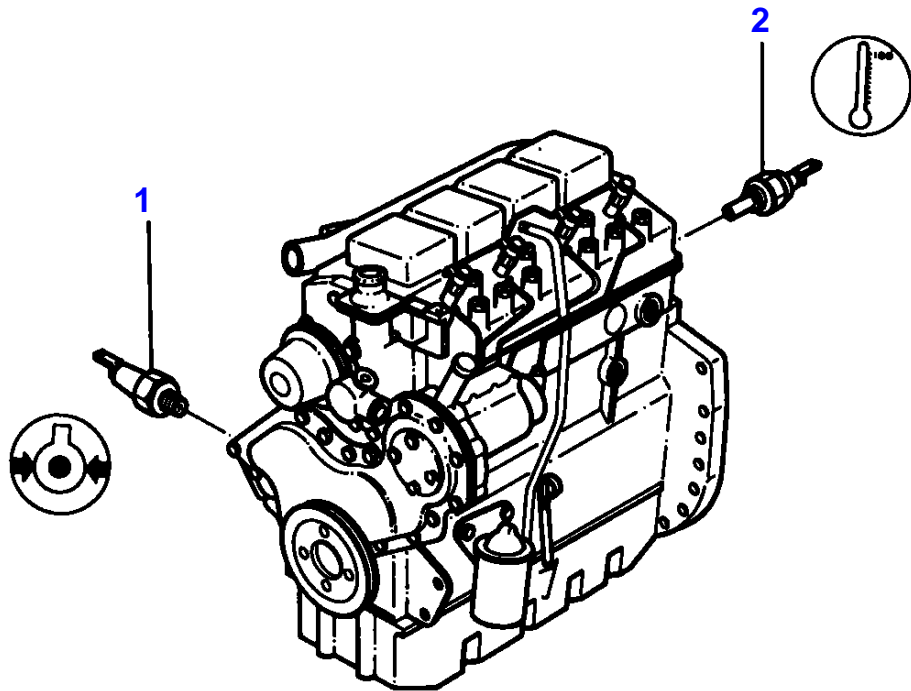


**MASSEY FERGUSON****MF 698 T TRACTOR, |-> 1984 (FR) - 1637142****1637142****ENGINE AND ACCESSORIES****1**

<b>Item</b>	<b>Part Number</b>	<b>Qty</b>	<b>Description</b>	<b>Comments</b>
1	1693245M91	1	Engine	AT4.236 LJ31131
2	825302M1	2	Dowel	
3	828123M1	1	Bearing Assy	
4	362479X1	1	Screw	
5	362485X1	1	Screw	L=45
6	362493X1	2	Screw	
7	362499X1	2	Screw	
8	1687610M91	1	Kit, Belt	Repairs and replaces 1686615M91
9	362499X1	2	Screw	
10	362493X1	3	Screw	
11	353569X1	1	Bolt Unf	
12	353426X1	1	Nut Unf	
13	353432X1	1	Lock Washer	
14	353426X1	1	Nut Unf	



1-0020-004



MASSEY FERGUSON

MF 698 T TRACTOR, |-> 1984 (FR) - 1637142

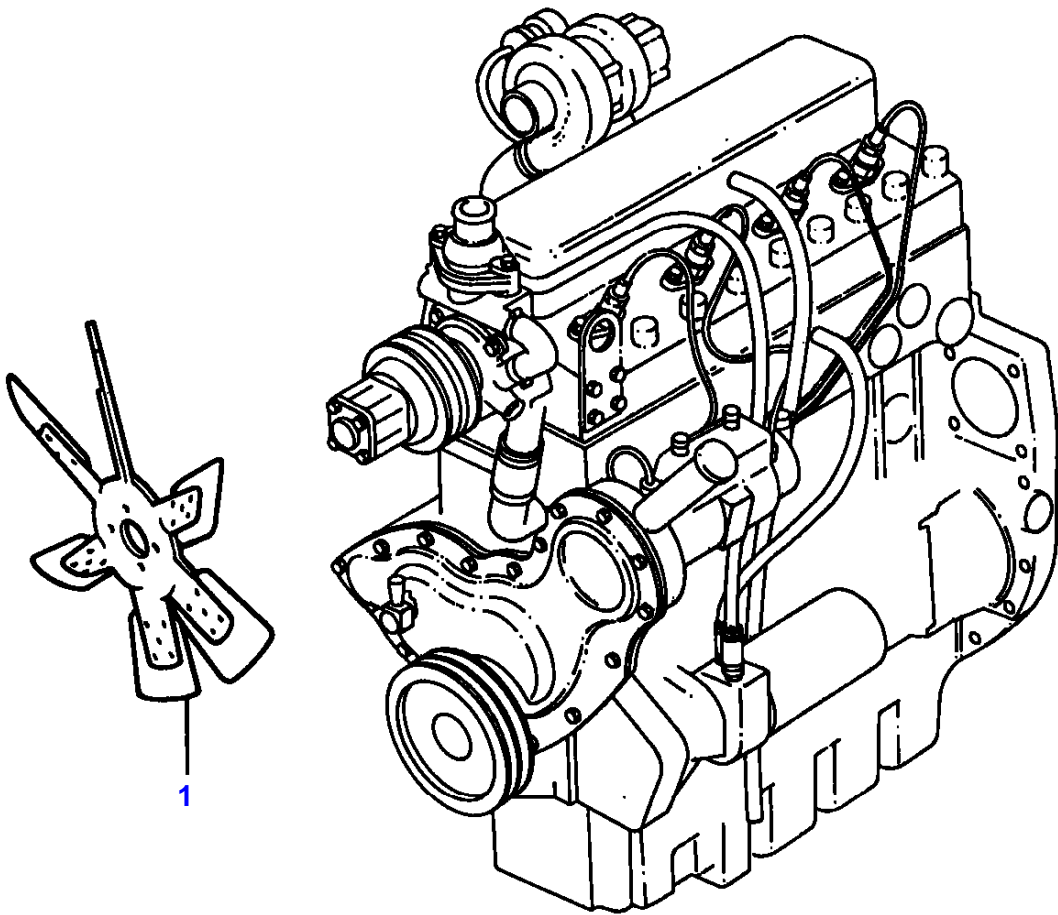
1637142

ENGINE ACCESSORIES

2

Item	Part Number	Qty	Description
1	1877721M92	1	Pressure Switch
2	1877731M92	1	Sender

1-0270-017



MASSEY FERGUSON

MF 698 T TRACTOR, |-> 1984 (FR) - 1637142

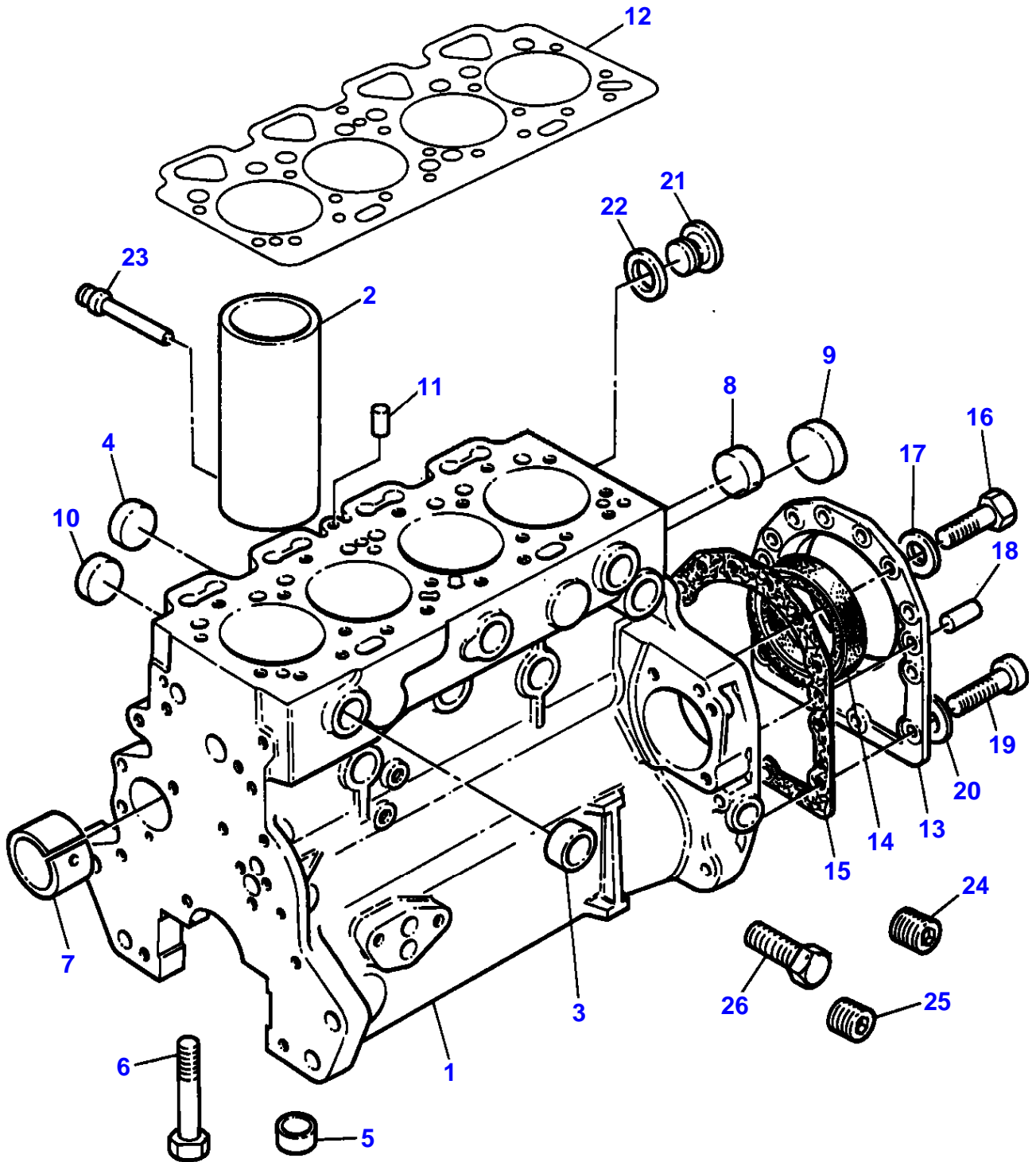
1637142

FAN

3

Item	Part Number	Qty	Description
1	31258117	1	Fan

L-0560-07M-A



CYLINDER BLOCK - AT4.236 ENGINE

Item	Part Number	Qty	Description	Comments
				AT4.236 ENGINE
1	ZZ 50082	1	Kit,Cyl.Block	(D,G) Repairs and replaces ZZ50028 Repairs and replaces U5BA0033 Repairs and replaces U5BA0029
2	31358393	4	Liner	(1) (A,H)
2	31358394	X	Liner	(B,H)
	31358398	X	Liner	(H) Repairs and replaces 31358403 0.010" 0.25MM O/S
2	3135X031	4	Liner	(1) (A,J)
2	3135X032	X	Liner	(B,J)
3	0650710	5	Plug	(1) Repairs and replaces 0650563
4	32418117	4	Plug	(1) Repairs and replaces 0650618
5	33142111	10	Thimble	(1)
6	32166329	10	Bolt	(1)
7	31134164	1	Bush	(1) Repairs and replaces 31134163 Repairs and replaces 31134132
8	0650710	2	Plug	(1) Repairs and replaces 0650563
9	32416105	1	Plug	
10	0650577	4	Plug	
11	32417134	1	Plug	
12	36812349	1	Head Gasket	(E)
	3681E016	1	Head Gasket	(F) Repairs and replaces 3681E014 Repairs and replaces 3681E012
13	4142V064	1	Housing	Repairs and replaces 4142V061 Repairs and replaces 4142V031
14	2418F475	1	Seal	(13)
15	36817157	1	Joint	
16	0746211	10	Bolt	
17	0920003	10	Washer	
18	0350009	2	Dowel	
19	2172530	2	Capscrew	
20	33112111	2	Washer	
21	0650582	1	Plug	
22	0920130	1	Washer	
23	2485A204	1	Plug	
24	0650588	2	Plug	
25	2431131	1	Plug	(C)
26	32161114	2	Plug	Repairs and replaces 32161357 Repairs and replaces 32161114
				(A) PRESS FIT
				(B) SLIP FIT
				(C) FITTED UP TO ENGINE NUMBER U918157K
				(D) WAS U5BA0033USE ZZ50028/32166337(2)/32166338(12)/3 2166339(8)/3681E012/U5LU0020(4)/41158145(4).
				(E) UP TO ENGINE NO U027773M. SEE ALSO SERVICE BULLETIN NO.21
				(F)

**Buy Now**



Our support email:

[ebooklibonline@outlook.com](mailto:ebooklibonline@outlook.com)