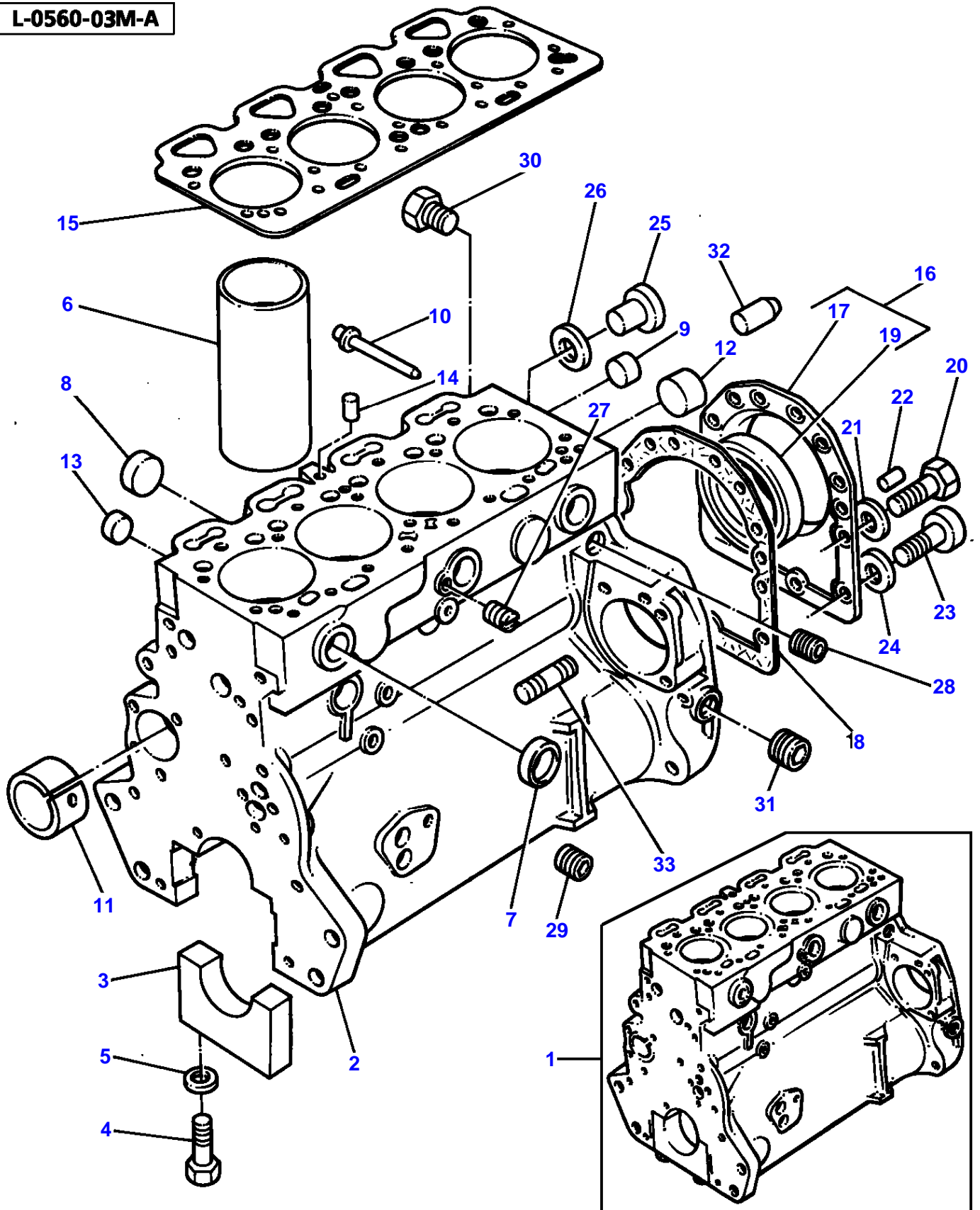


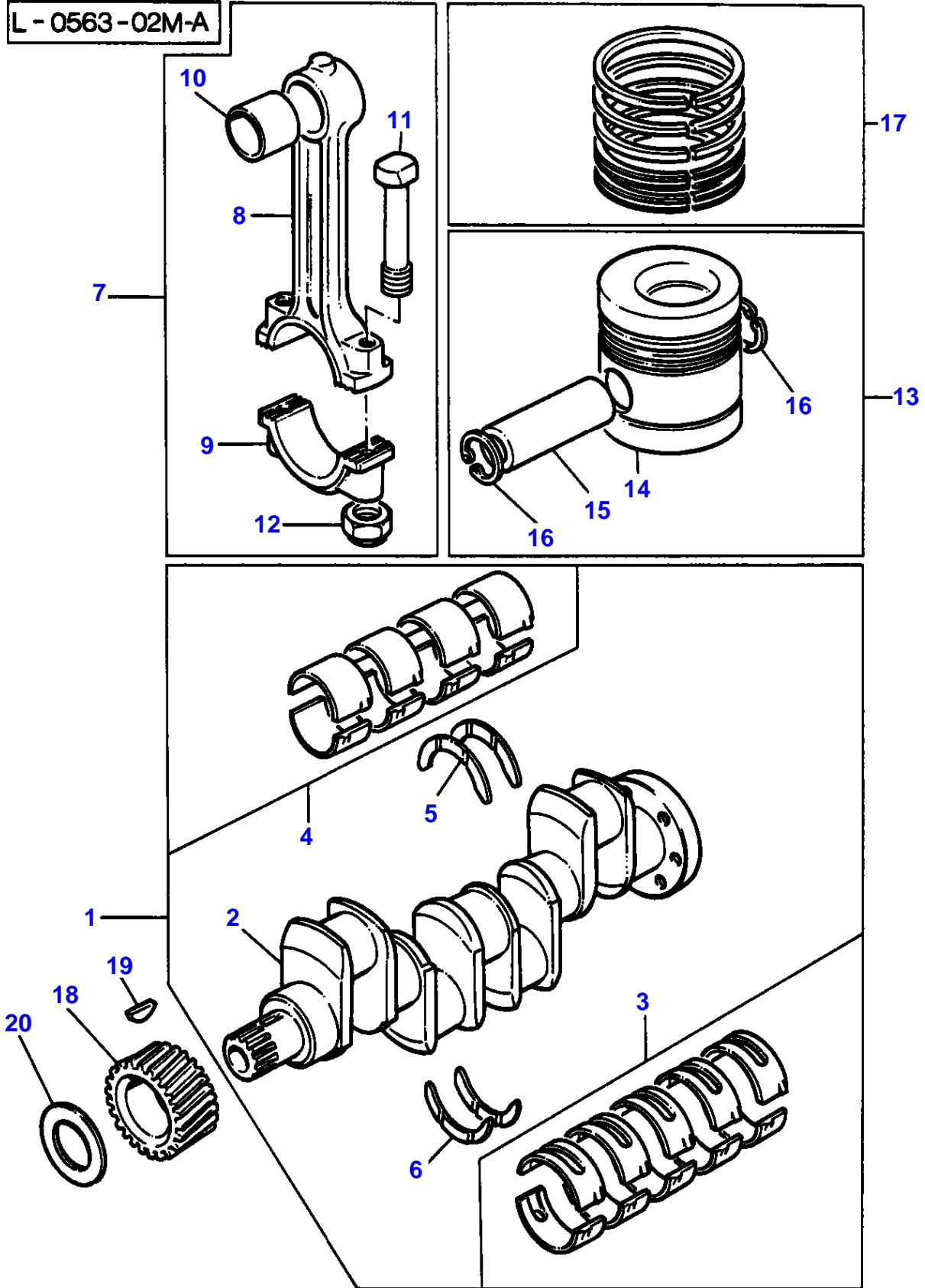
L-0560-03M-A



CYLINDER BLOCK - A4.248 ENGINE

| Item | Part Number | Qty | Description | Comments |
|------|-------------|-----|---------------|-----------------------------------------------------------------------------------------------------------|
| | | | | A4.248 ENGINE |
| 1 | ZZ 50174 | 1 | Kit,Cyl.Block | (C,D) Repairs and replaces ZZ50080/36 Repairs and replaces ZZ50022 Repairs and replaces U5BA0029 |
| 2 | 31358346 | 4 | Liner | (1) (A,E) |
| 2 | 31358352 | X | Liner | (B,E) |
| | 3135X033 | 4 | Liner | (1) (A,F) |
| 2 | 3135X034 | X | Liner | (B,F) |
| 3 | 0650710 | 6 | Plug | (1) Repairs and replaces 0650563 |
| 4 | 32418117 | 4 | Plug | (1) Repairs and replaces 0650618 |
| 5 | 33142111 | 10 | Thimble | (1) |
| 6 | 32166329 | 10 | Bolt | (1) |
| 7 | 31134164 | 1 | Bush | (1) Repairs and replaces 31134163 Repairs and replaces 31134132 |
| 8 | 0650710 | 2 | Plug | (1) Repairs and replaces 0650563 |
| 9 | 2485A204 | 1 | Plug | (1) |
| 10 | 0650582 | 1 | Plug | |
| 11 | 0920130 | 1 | Washer | |
| 12 | 32114501 | 1 | Plug | |
| 13 | 0650577 | 4 | Plug | |
| 14 | 32417134 | 1 | Plug | |
| 15 | 32416105 | 1 | Plug | |
| 16 | 4142V064 | 1 | Housing | Repairs and replaces 4142V061 Repairs and replaces 4142V031 |
| 17 | 2418F475 | 1 | Seal | (16) Repairs and replaces 2415391 |
| 18 | 36817157 | 1 | Joint | |
| 19 | 0746211 | 10 | Bolt | |
| 20 | 0920003 | 10 | Washer | |
| 21 | 0350009 | 2 | Dowel | |
| 22 | 2172530 | 2 | Capscrew | |
| 23 | 33112111 | 2 | Washer | |
| 24 | 0650594 | 1 | Plug | |
| 25 | 32161114 | 2 | Plug | Repairs and replaces 32161357 Repairs and replaces 32161114 |
| 26 | 0650588 | 2 | Plug | |
| 27 | 36812349 | 1 | Head Gasket | |
| | | | | (A) PRESS FIT |
| | | | | (B) SLIP FIT |
| | | | | (C) WAS ZZ50022 USE ZZ50036/32166337(2)/32166338(12)/3 2166339(8). |
| | | | | (D) WAS ZZ50036 USE ZZ50080 WITH 36812352/33153157/211 6053/2184634(3) |
| | | | | (E) USED ONLY WITH ZZ50036/ZZ50022/U5BA0029 |
| | | | | (F) USED ONLY WITH ZZ50080 |

L - 0563 - 02M-A



| Item | Part Number | Qty | Description | Comments |
|------|-------------|-----|------------------|---------------------------------------------------------------------------------------------|
| | | | | A4.248 ENGINE |
| 1 | ZZ 90082 | 1 | Kit, Crankshaft | Repairs and replaces ZZ90083 Repairs and replaces U5BG0026 Repairs and replaces 68609 |
| 2 | | 1 | Crankshaft | (1) Not serviced, order REF.1 |
| 3 | 81558 | 1 | Kit, Bearing | (1) (A) |
| 3 | 81558A | X | Kit, Bearing | (A) Thickness (-)0.25MM Thickness (-)0.010" |
| 3 | 81558B | X | Kit, Bearing | (A) Thickness (-)0.50MM Thickness (-)0.020" |
| 3 | 81558C | X | Kit, Bearing | (A) Thickness (-)0.75MM Thickness (-)0.030" |
| 4 | 85042 | 1 | Kit, Bearing | (1) (A) |
| 4 | 85042A | X | Kit, Bearing | (A) Thickness (-)0.25MM Thickness (-)0.010" |
| 4 | 85042B | X | Kit, Bearing | (A) Thickness (-)0.50MM Thickness (-)0.020" |
| 4 | 85042C | X | Kit, Bearing | (A) Thickness (-)0.75MM Thickness (-)0.030" |
| 5 | 31137551 | 2 | Thrust Washer | (1) Repairs and replaces 31137311 |
| 5 | 31137312 | X | Thrust Washer | Thickness (+)0.19MM Thickness (+)0.0075" |
| 6 | 31137561 | 2 | Thrust Washer | (1) Repairs and replaces 31137321 |
| 6 | 31137322 | X | Thrust Washer | Thickness (+)0.19MM Thickness (+)0.0075" |
| 7 | ZZ 90009 | 4 | Kit, Conrod | Repairs and replaces M7BJ0015 |
| 8 | | 1 | Conrod | (7) Not serviced, order REF.7 |
| 9 | | 1 | Cap | (7) Not serviced, order REF.7 |
| 10 | 31134123 | 1 | Bush | (7) |
| 11 | 32762144 | 2 | Bolt | (7) |
| 12 | 33221328 | 2 | Nut | (7) |
| 13 | 68318 | 4 | Kit, Piston | (B,D,K) |
| | 89207 | 4 | Kit, Piston | (C,E,K) |
| | U5LU0005 | 4 | Kit, Piston | (B,F,K) |
| | U5LP0009 | 4 | Kit, Piston | (C,G,K) |
| 14 | | 1 | Piston | (13) Not serviced, order REF.13 |
| 15 | | 1 | Pin | (13) Not serviced, order REF.13 |
| 16 | 0170002 | 2 | Circlip | (13) |
| 17 | 4181A009 | 4 | Kit, Piston Ring | (H,K) |
| | 41158022 | 4 | Kit, Piston Ring | (J,K) |
| 18 | 31171681 | 1 | Gear,Crankshaft | 28T |
| 19 | 0500012 | 1 | Woodruff Key | |
| 20 | 33125416 | 1 | Washer | |

(A)
PRE-FINISHED

(B)
UNTOPPED

(C)
PRE-TOPPED

(D)

MASSEY FERGUSON

MF 690 TRACTOR, |-> 1984 (FR) - 1637149

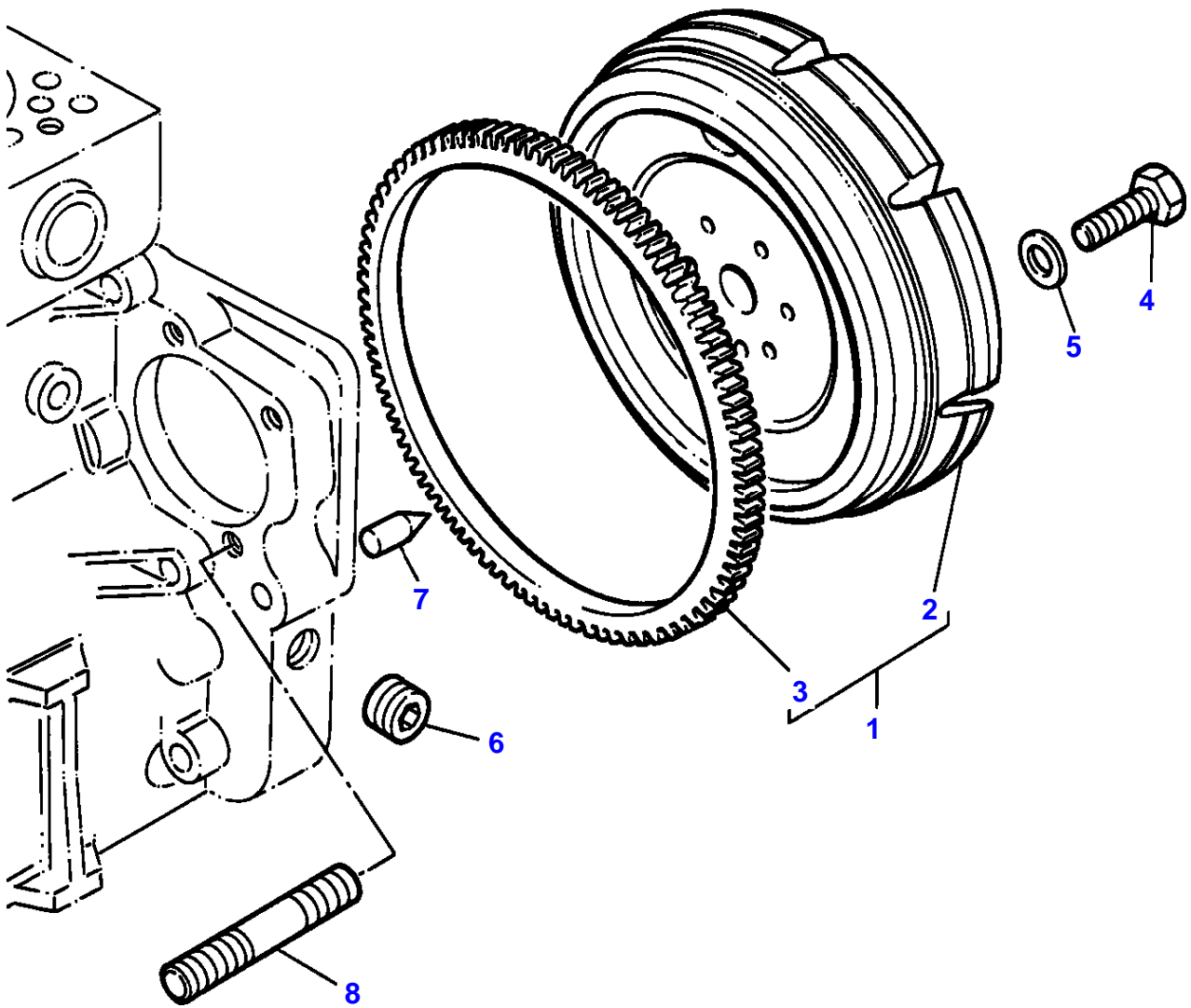
1637149

CRANKSHAFT, PISTONS AND CONNECTING RODS - A4.248 ENGINE

8

| Item | Part Number | Qty | Description | Comments |
|------|-------------|-----|-------------|-------------------------------------------------------------------------------------|
| | | | | USE U5LU0005 IN ENGINE SETS ONLY |
| | | | | (E) USE U5LP0009 IN ENGINE SETS ONLY |
| | | | | (F) REPLACES 68318 IN ENGINE SETS ONLY |
| | | | | (G) REPLACES 89207 IN ENGINE SETS ONLY |
| | | | | (H) USED ONLY WITH 68318-89207 |
| | | | | (J) USED ONLY WITH U5LU0005-U5LP0009 |
| | | | | (K) SEE PERKINS SERVICE BULLETIN NO.10 (ISSUE 2) CUT-I N FROM ENGINE NO.U839080J |

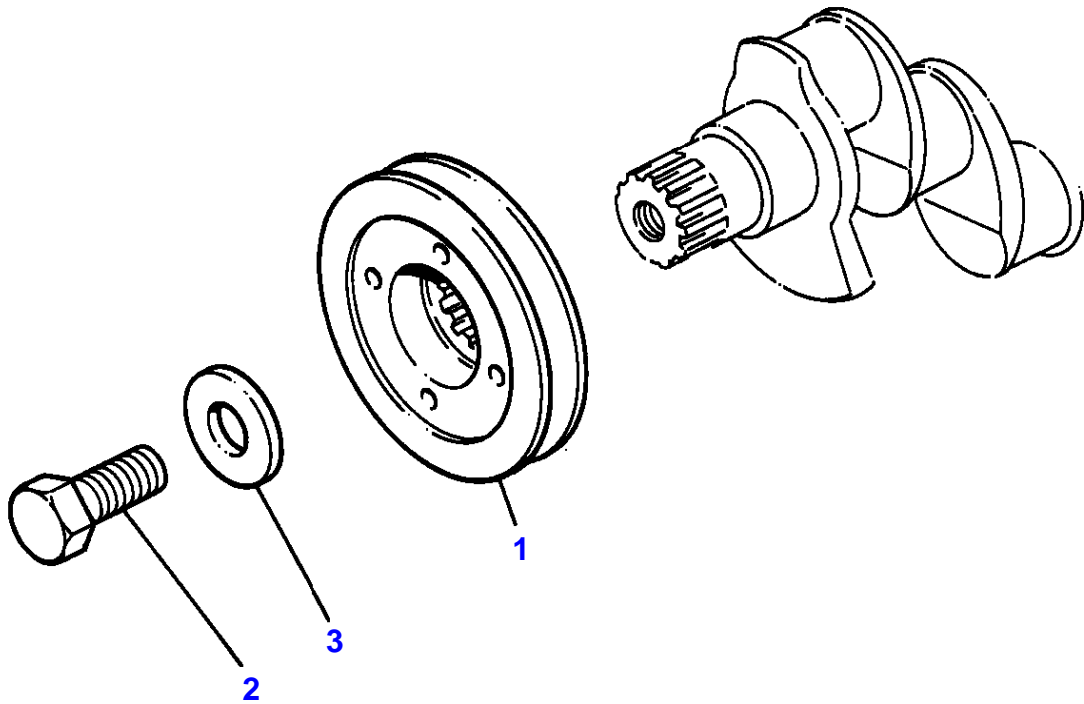
L-0600-02M-B



MASSEY FERGUSON**MF 690 TRACTOR, |-> 1984 (FR) - 1637149****1637149****FLYWHEEL AND STARTER RING - A4.248 ENGINE****9**

| Item | Part Number | Qty | Description | Comments |
|------|-------------|-----|--------------|----------------------------------|
| | | | | A4.248 ENGINE |
| 1 | 41117084 | 1 | Flywheel | |
| 2 | | 1 | Flywheel | (1) Not serviced, order REF.1 |
| 3 | 0410236 | 1 | Starter Ring | (1) 115T |
| 4 | 2182122 | 6 | Setscrew | |
| 5 | 33117127 | 6 | Washer | Repairs and replaces 33117121 |
| 6 | 0650588 | 1 | Plug | |
| 7 | 32452113 | 1 | Pointer | |
| 8 | 0826481 | 3 | Stud | |

L-0625-02M-A



MASSEY FERGUSON

MF 690 TRACTOR, |-> 1984 (FR) - 1637149

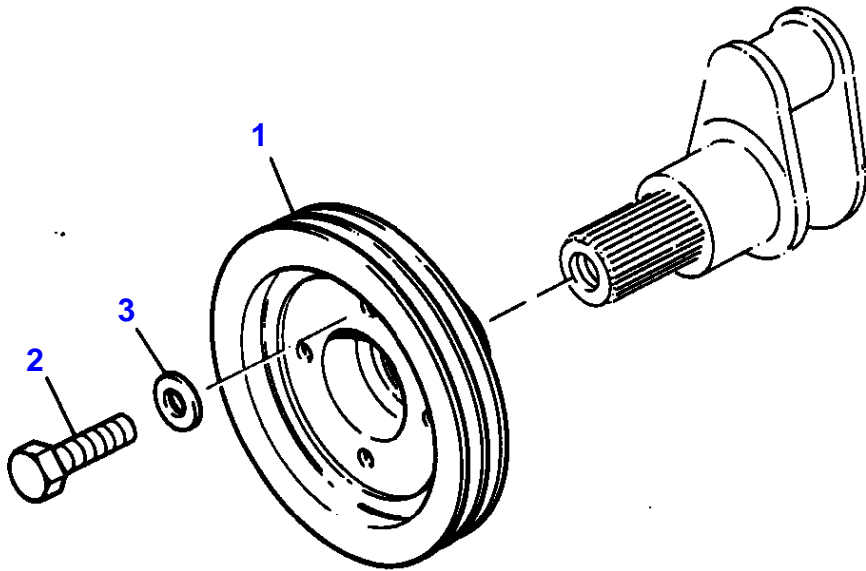
1637149

FRONT END DRIVE INPUT AND OUTPUT - A4.248 ENGINE

10

| Item | Part Number | Qty | Description | Comments |
|------|-------------|-----|--------------|-------------------------------|
| | | | | A4.248 ENGINE |
| 1 | 31148714 | 1 | Pulley,Crank | Repairs and replaces 31148713 |
| 2 | 32162331 | 1 | Screw | Repairs and replaces 32162318 |
| 3 | 33125124 | 1 | Washer | |

L-0625-03M-A



MASSEY FERGUSON

MF 690 TRACTOR, |-> 1984 (FR) - 1637149

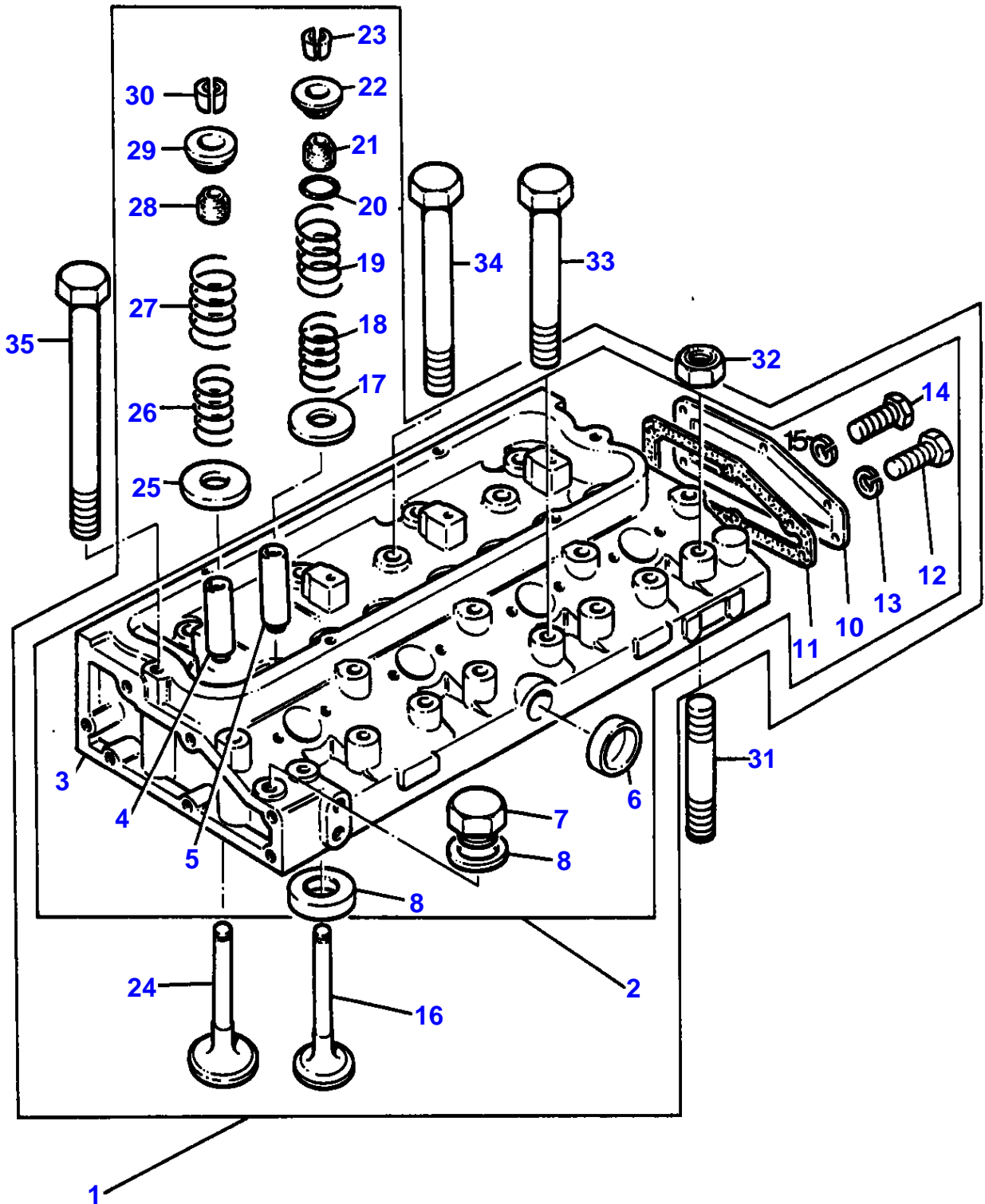
1637149

FRONT END DRIVE INPUT AND OUTPUT - A4.248 ENGINE

11

| Item | Part Number | Qty | Description | Comments |
|------|-------------|-----|--------------|-------------------------------|
| | | | | A4.248 ENGINE |
| 1 | 31153242 | 1 | Pulley,Crank | Repairs and replaces 31153241 |
| 2 | 32162331 | 1 | Screw | Repairs and replaces 32162318 |
| 3 | 33125124 | 1 | Washer | |

L-0566-02M-B



CYLINDER HEAD - A4.248 ENGINE

| Item | Part Number | Qty | Description | Comments |
|------|-------------|-----|----------------|---------------------------------------------------------------------------|
| | | | | A4.248 ENGINE |
| 1 | ZZ 80072 | 1 | Kit, Cyl. Head | (C) Repairs and replaces 80062 Repairs and replaces U5BD0005 |
| 1 | ZZ 80072 | 1 | Kit, Cyl. Head | (D) Repairs and replaces 80062 Repairs and replaces U5BD0005 |
| 2 | ZZ 80157 | 1 | Kit, Cyl. Head | (1) Repairs and replaces ZZ80061 |
| 3 | | 1 | Head | (2) Not serviced, order REF.1 |
| 4 | 3343F002 | 4 | Guide | (2) |
| 5 | 3343J002 | 4 | Guide | (2) |
| 6 | 0650710 | 1 | Plug | (2) Repairs and replaces 0650563 |
| 7 | 0650203 | 1 | Plug | (2) |
| 8 | 2411157 | 1 | Washer | (2) |
| 9 | 33152153 | 4 | Insert | (2) |
| 10 | 3623K007 | 1 | Plate | (2) |
| 11 | 3685R004 | 1 | Joint | (2) |
| 12 | 0746254 | 4 | Setscrew | (2) |
| 13 | 0920053 | 4 | Washer | (2) |
| 14 | 0746452 | 2 | Setscrew | (2) |
| 15 | 0920054 | 2 | Washer | (2) |
| 16 | 31431881 | 4 | Valve Exhaust | (1) |
| 16 | 31431882 | X | Valve Exhaust | Alternative 31431886 (J) Thickness (+)0.08MM Thickness (+)0.003" |
| 16 | 31431883 | X | Valve Exhaust | (J) Thickness (+)0.38MM Thickness (+)0.015" |
| 16 | 31431884 | X | Valve Exhaust | (J) Thickness (+)0.75MM Thickness (+)0.030" |
| 17 | 33123117 | 4 | Washer | (1) (E) |
| 17 | 33415118 | 4 | Washer | (1) (F) |
| 18 | 31744131 | 4 | Spring | (1) |
| 19 | 31745121 | 4 | Spring | (1) |
| 20 | 2415B201 | 4 | O Ring | (1) |
| 21 | 33817117 | 4 | Seal | (1) |
| 22 | 33423147 | 4 | Cap | (1) |
| 23 | 33173108 | 8 | Cotter | (1) (A) |
| 24 | 31431315 | 4 | Valve Inlet | (1) |
| | 31431312 | X | Valve Inlet | (J) Thickness (+)0.08MM Thickness (+)0.003" |
| 24 | 31431313 | X | Valve Inlet | (J) Thickness (+)0.38MM Thickness (+)0.015" |
| 24 | 31431314 | X | Valve Inlet | (J) Thickness (+)0.75MM Thickness (+)0.030" |
| 25 | 33123117 | 4 | Washer | (1) (E) |
| 25 | 33415118 | 4 | Washer | (1) (F) |
| 26 | 31744131 | 4 | Spring | (1) |
| 27 | 31745121 | 4 | Spring | (1) |
| 28 | 33817117 | 4 | Seal | (1) |
| 29 | 33423147 | 4 | Cap | Repairs and replaces 33817125 (1) |

CYLINDER HEAD - A4.248 ENGINE

| Item | Part Number | Qty | Description | Comments |
|------|-------------|-----|-------------|--------------------------------------|
| 30 | 33173108 | 8 | Cotter | (1) (A) |
| 31 | 32526312 | 2 | Stud | (G) |
| 32 | 33221328 | 2 | Nut | (G) Repairs and replaces 33221316 |
| 33 | 32181424 | 6 | Screw | (G) |
| 33 | 32166339 | 8 | Screw | (H) |
| 34 | 32181425 | 12 | Screw | (G) |
| 34 | 32166338 | 12 | Bolt | (H) |
| 35 | 32181425 | 2 | Screw | (G) |
| 35 | 32166337 | 2 | Screw | (H) |

(A)
SERVICED IN PAIRS

(C)
WAS A5BD1136 USE U5BD0005 WITH 33813131 AND 338131 29 OR 3281M001
(SEE 0587L03M)

(D)
WAS A5BD1136 USE U5BD0005 WITH 33813131 AND 338131 29 OR 3281M001
(SEE 0587L04M)

(E)
USED ONLY WITH U5BD0005 (CYLINDER HEAD)

(F)
USED ONLY WITH ZZ80062/ZZ80072 (CYLINDER HEAD)

(G)
UP TO ENGINE NO U027630M. SEE ALSO SERVICE BULLETIN NO.21

(H)
FROM ENGINE NO U027631M. SEE ALSO SERVICE BULLETIN NO.21

(J)
OVERSIZE VALVES CAN ONLY BE USED WITH CYLINDER HEADS WHEN VALVE
GUIDES ARE NOT FITTED.

Buy Now



Our support email:

ebooklibonline@outlook.com