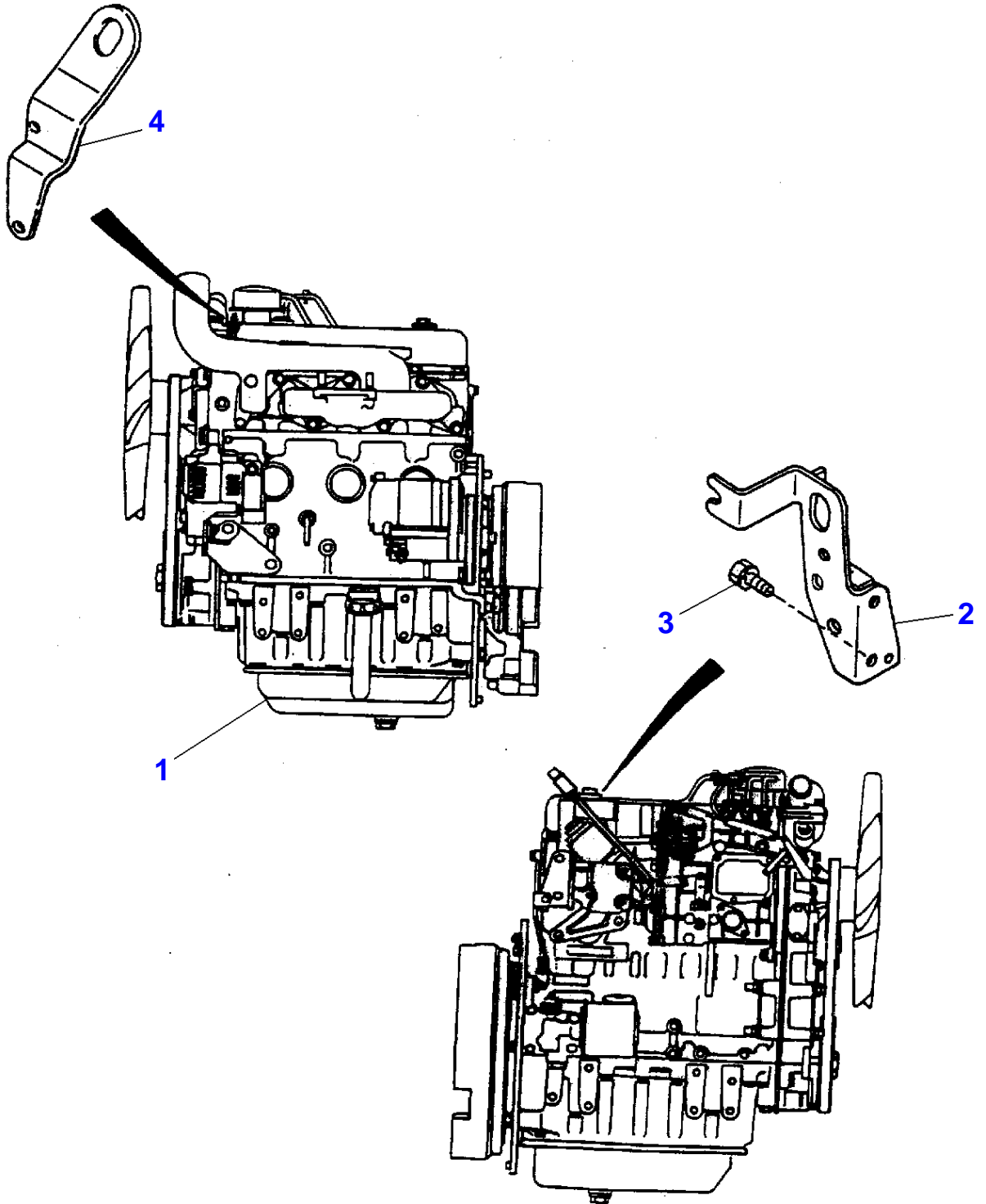


Page Title	Page Number
Hanger	010-0005
Cylinder Head	010-0010
Cylinder Head - Repair Kit	010-0015
Cylinder Head Cover	010-0020
Inlet Manifold	010-0025
Exhaust Manifold	010-0030
Cylinder Block	010-0035
Cylinder Block - Rear Seal And Plate	010-0040
Crankcase	010-0045
Timing Gear Housing	010-0050
Rocker Shaft And Valves	010-0055
Camshaft	010-0060
Piston	010-0065
Crankshaft	010-0070
Lubrication	010-0075
Water Pump	010-0080
Water Outlet	010-0085
Fan	010-0090
Injection	010-0095
Injection	010-0100
Injection Pump	010-0105
Injection Pump	010-0110
Kit, Engine Overhaul	010-0115

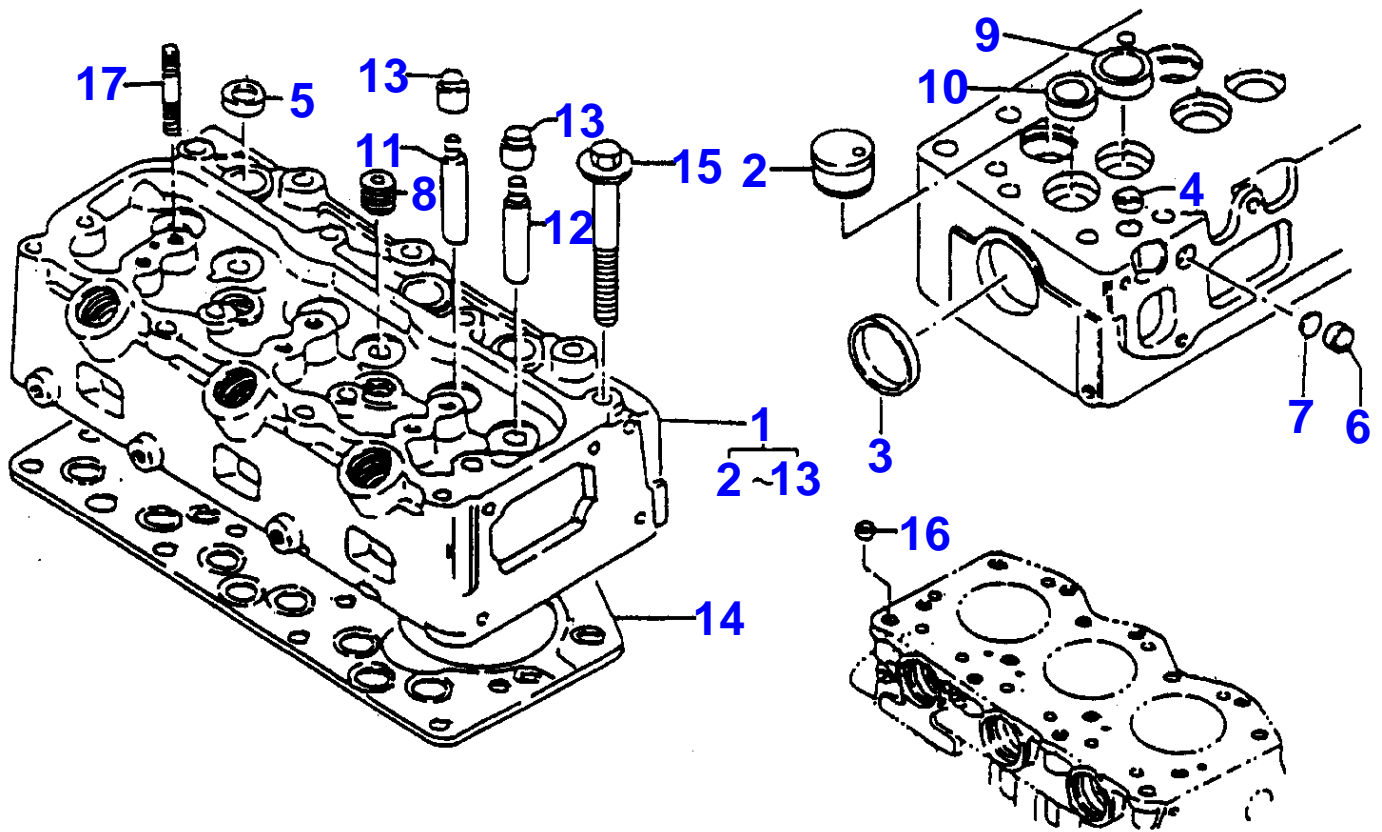
3-IS10-001-A



Hanger

Item	Part Number	Qty	Description
1	3708270M91	1	Engine
2	3704136M92	1	Hanger
3	3704337M1	2	Bolt
4	3704135M1	1	Hanger

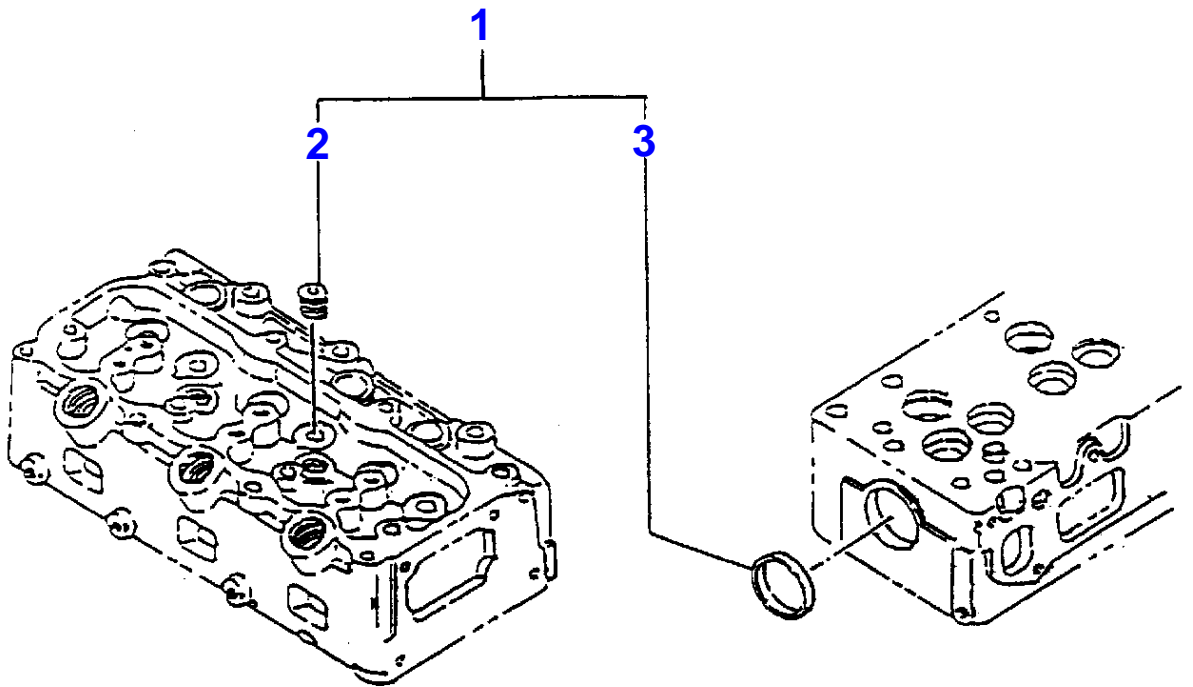
3-IS01-001-A



Cylinder Head

Item	Part Number	Qty	Description
1	3704102M91	1	Head
2	3704105M91	3	Plug
3	3704389M1	1	Cup
4	3704390M1	3	Cup
5	3704391M1	3	Cup
6	3704392M1	3	Cup
7	3704380M1	3	Plug
8	3707877M2	2	Plug
9	3704530M1	3	Valve Seat
10	3704529M1	3	Valve Seat
11	3704403M1	3	Guide
12	3704282M1	3	Guide
13	3704291M1	6	Seal
14	3704104M2	1	Gasket
15	3704817M1	15	Bolt
16	3704326M1	2	Plug
17	3704377M1	2	Stud

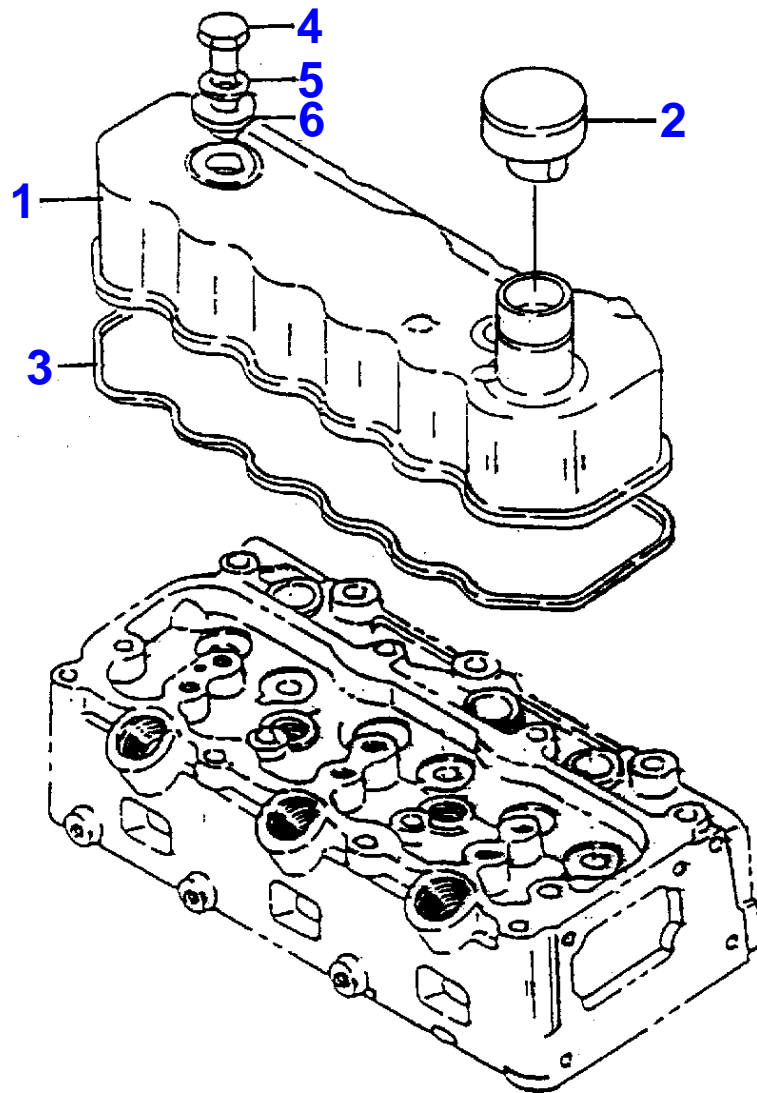
3-IS01-002-A



Cylinder Head - Repair Kit

Item	Part Number	Qty	Description
1	3704090M91	1	Plug
2	3704093M1	5	Plug
3	3704389M1	3	Cup

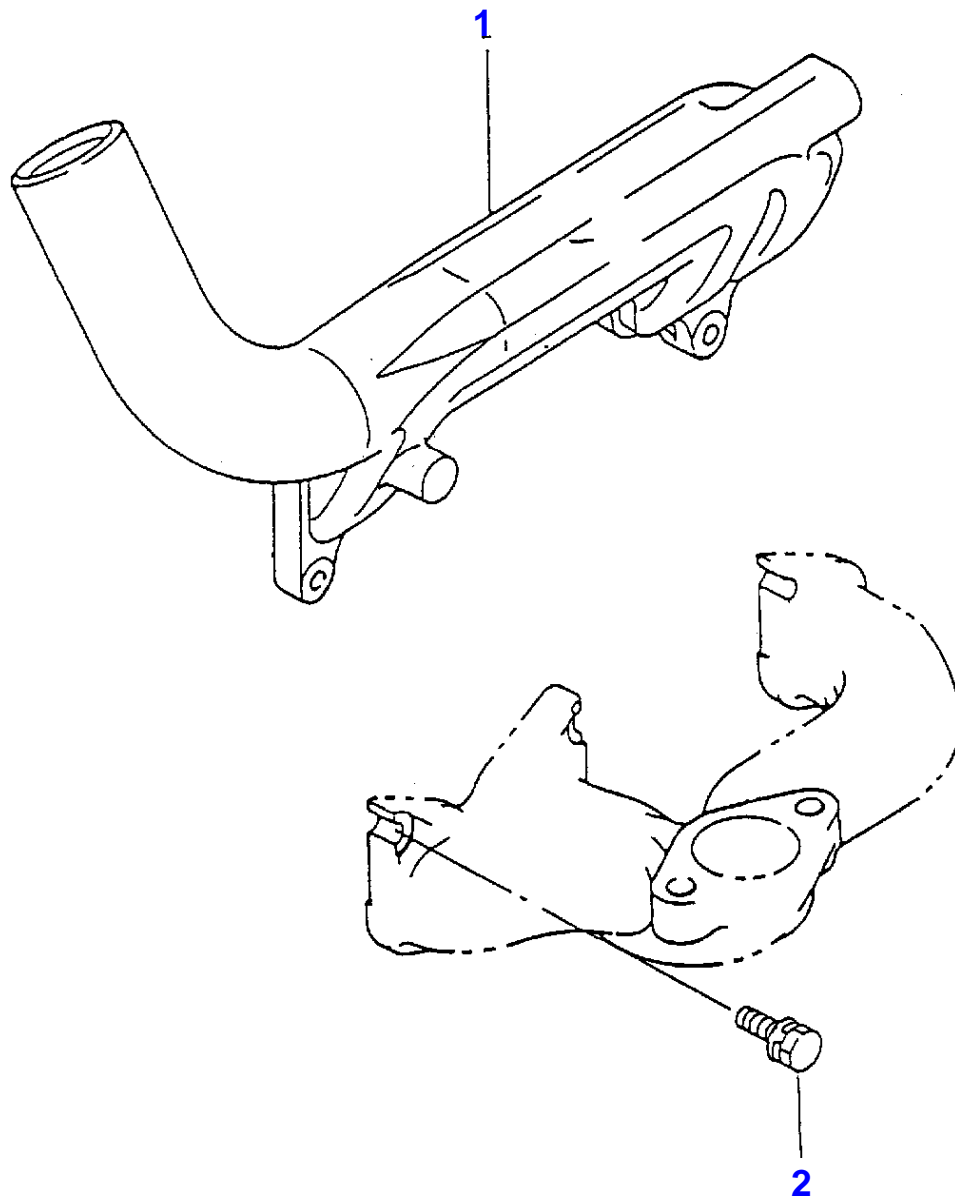
3-IS02-001-A



Cylinder Head Cover

Item	Part Number	Qty	Description
1	3708275M91	1	Cover
2	3704404M91	1	Cap
3	3704110M1	1	Gasket
4	3704393M1	2	Nut
5	3704395M1	2	Washer
6	3704394M1	2	Gasket

3-IS03-001-A



Massey Ferguson

MF 1250 COMPACT TRACTOR - --->| E50100 - 1637261

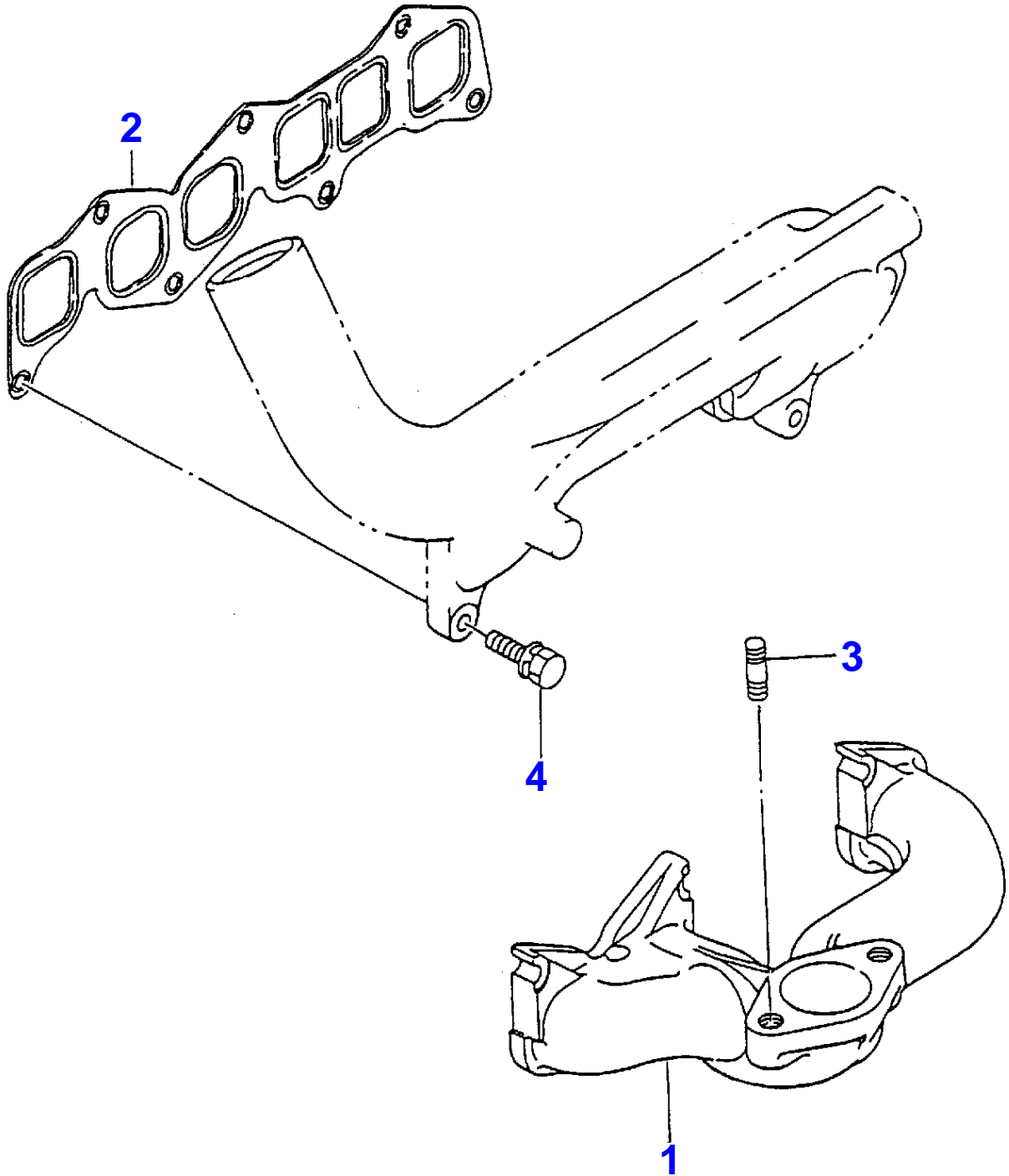
1637261

Inlet Manifold

Page010-0025

Item	Part Number	Qty	Description
1	3704192M1	1	Manifold
2	3704349M1	5	Bolt

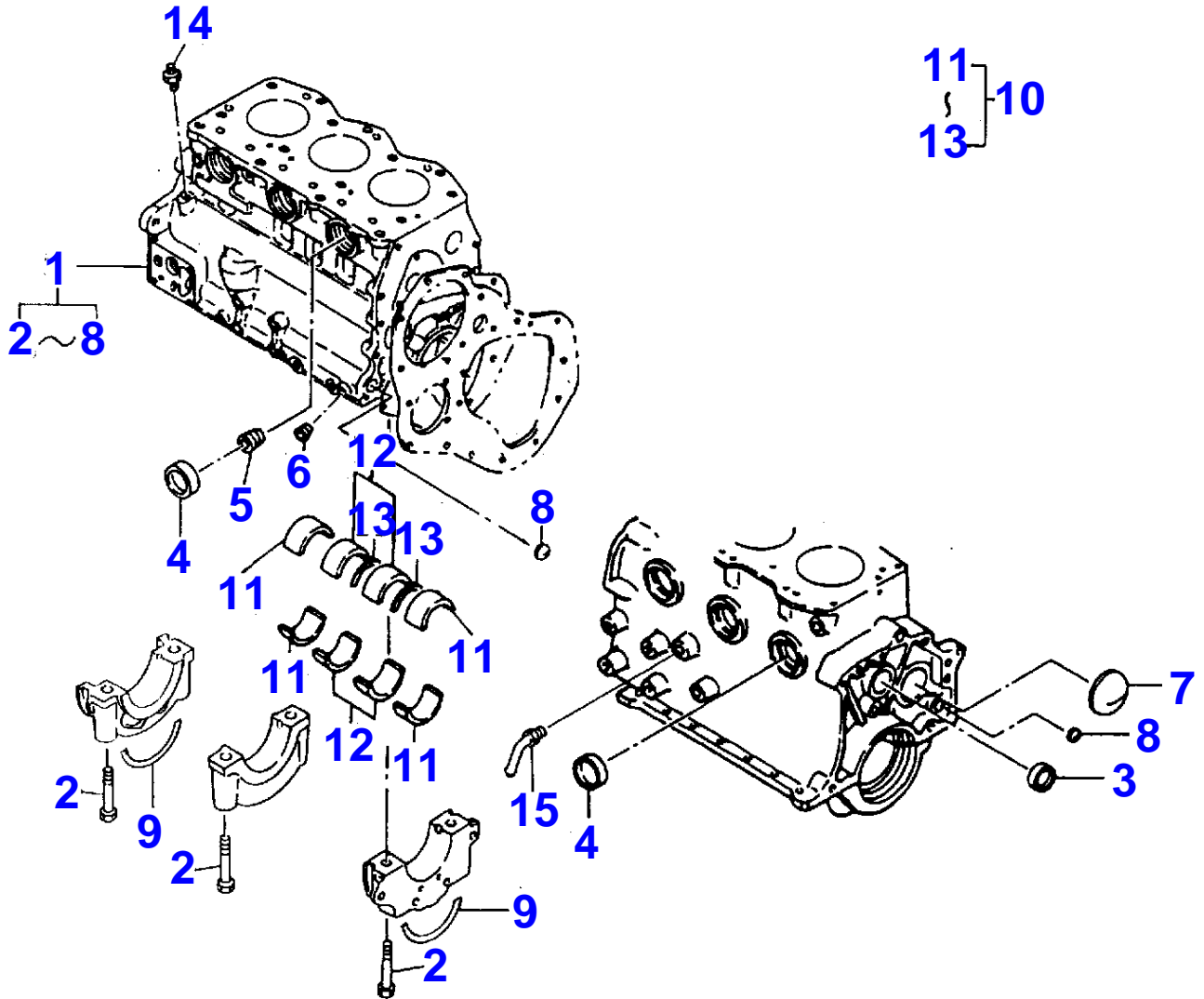
3-IS04-001-A



Exhaust Manifold

Item	Part Number	Qty	Description
1	3704193M1	1	Manifold
2	3706645M1	1	Gasket
3	3704355M1	2	Stud
4	3704349M1	2	Bolt

3-IS05-001-A



Buy Now



Our support email:

ebooklibonline@outlook.com