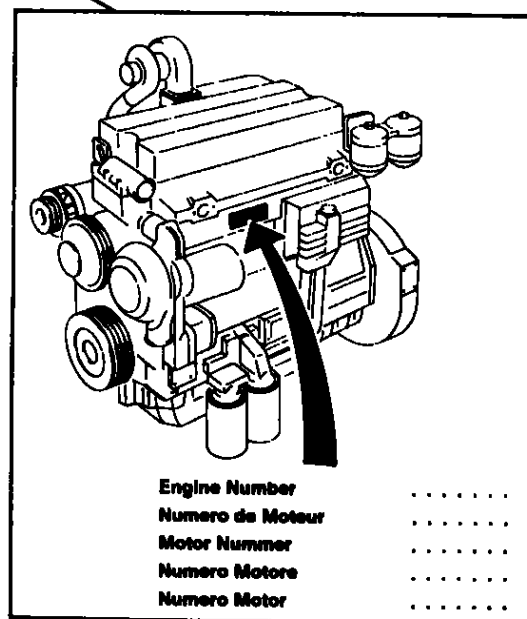
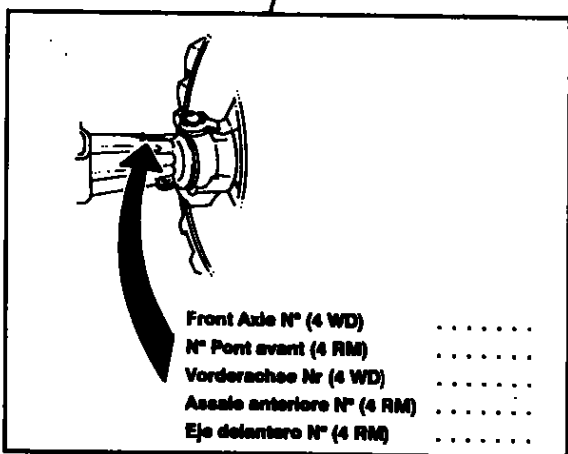
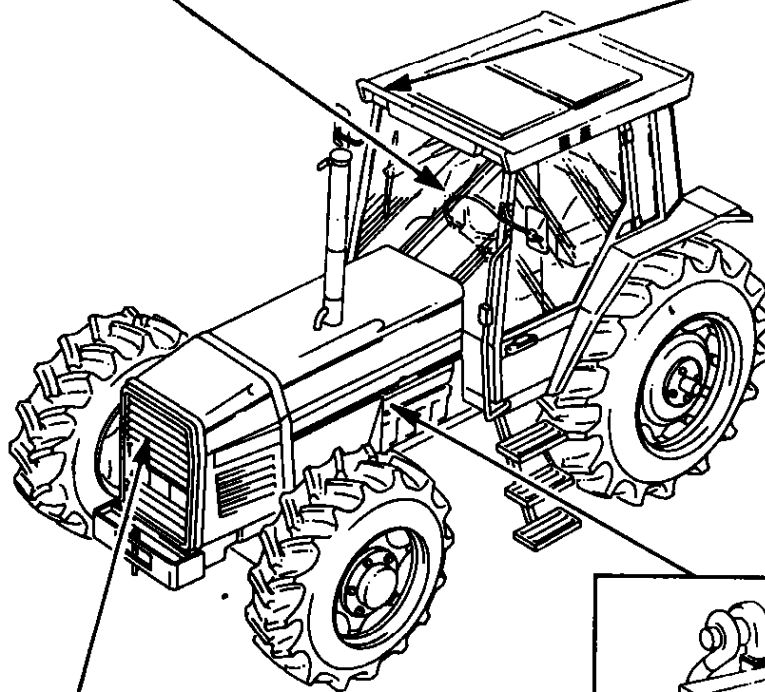
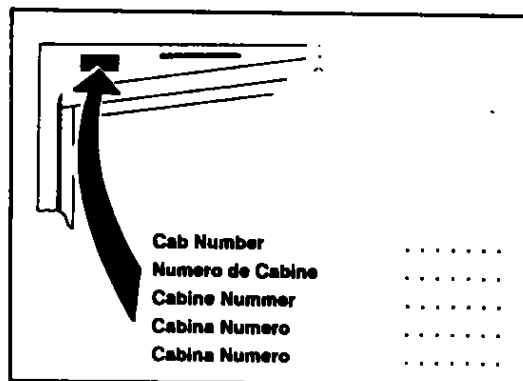
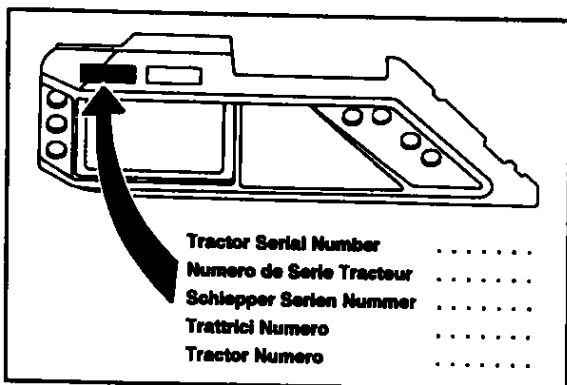


| Page Title | Page Number |
|--|-------------|
| Section Divider | 010-0005 |
| Engine | 010-0010 |
| Heater - Engine Block | 010-0015 |
| Alternator - Valeo | 010-0020 |
| Starter - Magneti-Marelli | 010-0025 |
| Cylinder Block | 010-0030 |
| Cylinder Block Equipment | 010-0035 |
| Timing Gear Housing | 010-0040 |
| Flywheel Housing | 010-0045 |
| Crankshaft, Pistons And Connecting Rods | 010-0050 |
| Valve Mechanism And Camshaft - Up To No F057022 United States only | 010-0055 |
| Valve Mechanism And Camshaft - From Serial No F057023 United States only | 010-0060 |
| Cylinder Head | 010-0065 |
| Cylinder Head Cover | 010-0070 |
| Thermostat | 010-0075 |
| Lubricating Oil Sump | 010-0080 |
| Lubricating Oil Pump | 010-0085 |
| Lubricating Oil Cooler And Filter | 010-0090 |
| Water Pump | 010-0095 |
| Injection Pump - Up To No F057022 United States only | 010-0100 |
| Injection Pump - From Serial No F057023 United States only | 010-0105 |
| Fuel Pipings - Up To No F057022 United States only | 010-0110 |
| Fuel Pipings - From Serial No F057023 United States only | 010-0115 |
| Injector | 010-0120 |
| Fuel Filter | 010-0125 |
| Inlet And Exhaust Manifold - Up To No F057022 United States only | 010-0130 |
| Inlet And Exhaust Manifold - From Serial No F057023 United States only | 010-0135 |
| Turbocharger - Pipes | 010-0140 |
| Turbocharger | 010-0145 |
| Cold Starting Device | 010-0150 |
| Belt Tensioner - From Serial or Engine Number - D090033 | 010-0155 |
| Engine Repair Kits - Piston- Cylinder Head With Valves | 010-0160 |
| Engine Gaskets Sets | 010-0165 |
| Batteries And Cables - Without Battery Cut-Off | 010-0170 |
| Batteries And Cables - Without Battery Cut-Off With Positive Connection | 010-0175 |
| Batteries And Cables - With Battery Cut-Off | 010-0180 |
| Cooling System - Air Conditioned Installation | 010-0185 |
| Cooling System -Air Conditioned - Sanden Compressor | 010-0190 |
| Cooling System - Engine | 010-0195 |
| Cooling System - Engine | 010-0200 |
| Cab Heating System - Engine Part | 010-0205 |
| Fuel System - Fuel Tank And Attachments | 010-0210 |
| Fuel System - Fuel Tank And Attachments - Additional Tank | 010-0215 |
| Fuel System - Pipes With Thermostart - Up to Serial or Engine Number - G014038 | 010-0220 |
| Fuel System - Pipes With Thermostart - From Serial or Engine Number - G014039 | 010-0225 |
| Fuel System - Pipes With Thermostart - Up to Serial or Engine Number - G014038 | 010-0230 |
| Fuel System - Pipes With Thermostart - From Serial or Engine Number - G014039 | 010-0235 |
| Fuel System - Pipes With Thermostart - Up to Serial or Engine Number - G014038 | 010-0240 |
| Fuel System - Pipes With Thermostart - From Serial or Engine Number - G014039 | 010-0245 |
| Fuel System - Pipes With Thermostart - Up to Serial or Engine Number - G014038 | 010-0250 |
| Fuel System - Pipes With Thermostart - From Serial or Engine Number - G014039 | 010-0255 |
| Fuel System - Fuel Filter | 010-0260 |
| Air Filter - With Thermostart Equipment | 010-0265 |
| Air Filter - Dry - Dual Element | 010-0270 |

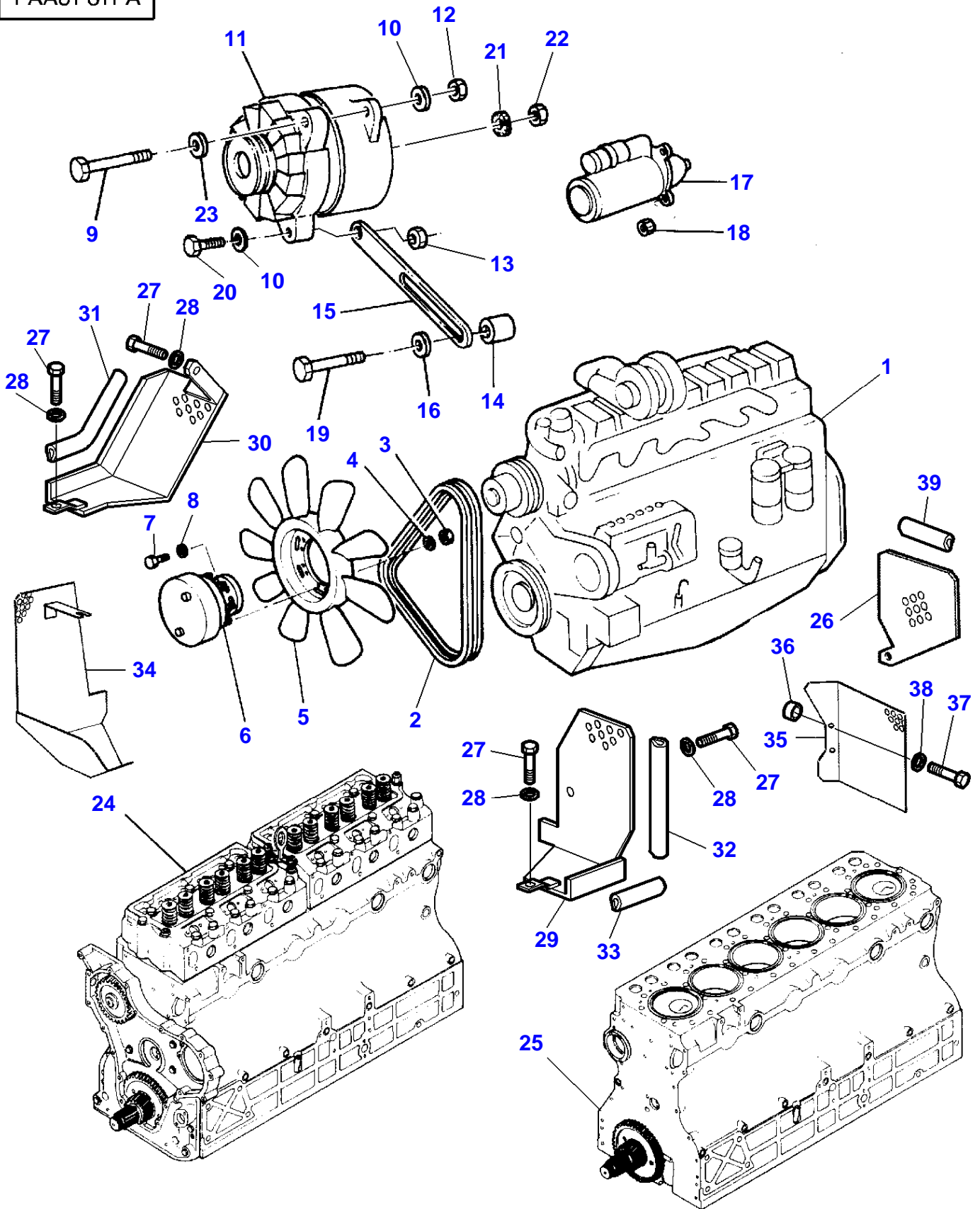
| | |
|---------------------------|----------|
| Exhaust System - Vertical | 010-0275 |
| Throttle Controls | 010-0280 |
| Throttle Controls | 010-0285 |
| Throttle Controls - Hand | 010-0290 |

1-0001-004



| Description | Comments |
|-------------|---|
| . | SERIAL NUMBERS For UK only or any text in English only |
| . | NUMEROS DE SERIES For France only or any text in French only |
| . | SERIEN NUMMER For Germany only or any text in German only |
| . | MATR.O NUMERO For Italy only or any text in Italian only |
| . | E NUMERO SERIE |
| . | |

1-AA01-611-A



Engine

| Item | Part Number | Qty | Description | Comments |
|------|-------------------|-----|------------------|---|
| 1 | 3713034M1 | 1 | Engine | |
| | 3713034M1 | 1 | Engine | Up to Serial or Engine Number F057022 For United States of America |
| | 3777467M1 | 1 | Engine | From Serial or Engine Number F057023 For United States of America |
| | V862760001 | 1 | Short Engine | [D] |
| 2 | 3617184M91 | 1 | Kit, Belt | |
| 3 | 394367X1 | 4 | Locknut | |
| 4 | 390972X1 | 4 | Washer Metric | |
| 5 | 3581601M1 | 1 | Fan | |
| 6 | 3389532M2 | 1 | Clutch | |
| 7 | 3009492X1 | 6 | Hex. Sock. Screw | M10X25 |
| 8 | 339376X1 | 6 | Lock Washer | |
| 9 | 339557X1 | 1 | Screw | M8X120 |
| 10 | 339374X1 | 2 | Lock Washer | Diameter 8MM |
| 11 | 3618908M1 | 1 | Alternator | |
| 12 | 1441461X1 | 1 | Locknut | Diameter 8MM |
| 13 | 339169X1 | 3 | Nut | |
| 14 | 3052946M1 | 1 | Spacer | |
| 15 | 3618909M1 | 1 | Tensioner | |
| 16 | 385361X1 | 1 | Washer | |
| 17 | 3581576M2 | 1 | Startermotor | MAGNE.MARELLI |
| 18 | 3009693X1 | 3 | Nut Metric | |
| 19 | 339159X1 | 1 | Bolt Metric | M8X65 |
| 20 | 339337X1 | 1 | Hex. Sock. Screw | M8X30 |
| 21 | 339375X1 | 1 | Lock Washer | |
| 22 | 339030X1 | 1 | Nut Metric | |
| 23 | 390972X1 | 3 | Washer Metric | |
| 24 | | 1 | Short Engine | [A] |
| 25 | | 1 | Short Engine | [A] |
| 26 | 3712313M1 | 1 | Cowl | |
| 27 | 339228X1 | X | Screw Metric | M8X12 |
| 28 | 390972X1 | X | Washer Metric | |
| 29 | 3713435M1 | 1 | Cowl | [C] |
| 30 | 3713434M2 | 1 | Cowl | [C] |
| 31 | 3714511M1 | 1 | Gasket | [C] Length 690MM |
| 32 | 3714513M1 | 1 | Gasket | [C] Length 450MM |
| 33 | 3714512M1 | 1 | Gasket | [C] Length 185MM |
| 34 | 3712312M1 | 1 | Cowl | [B] |
| 35 | 3712314M1 | 1 | Cowl | [B] |
| 36 | 3712335M1 | 1 | Spacer | [B] |
| 37 | 3009492X1 | 1 | Hex. Sock. Screw | [B] M10X25 |
| 38 | 390734X1 | 1 | Washer | [B] |
| 39 | 3714924M1 | 1 | Gasket | Length 720MM |

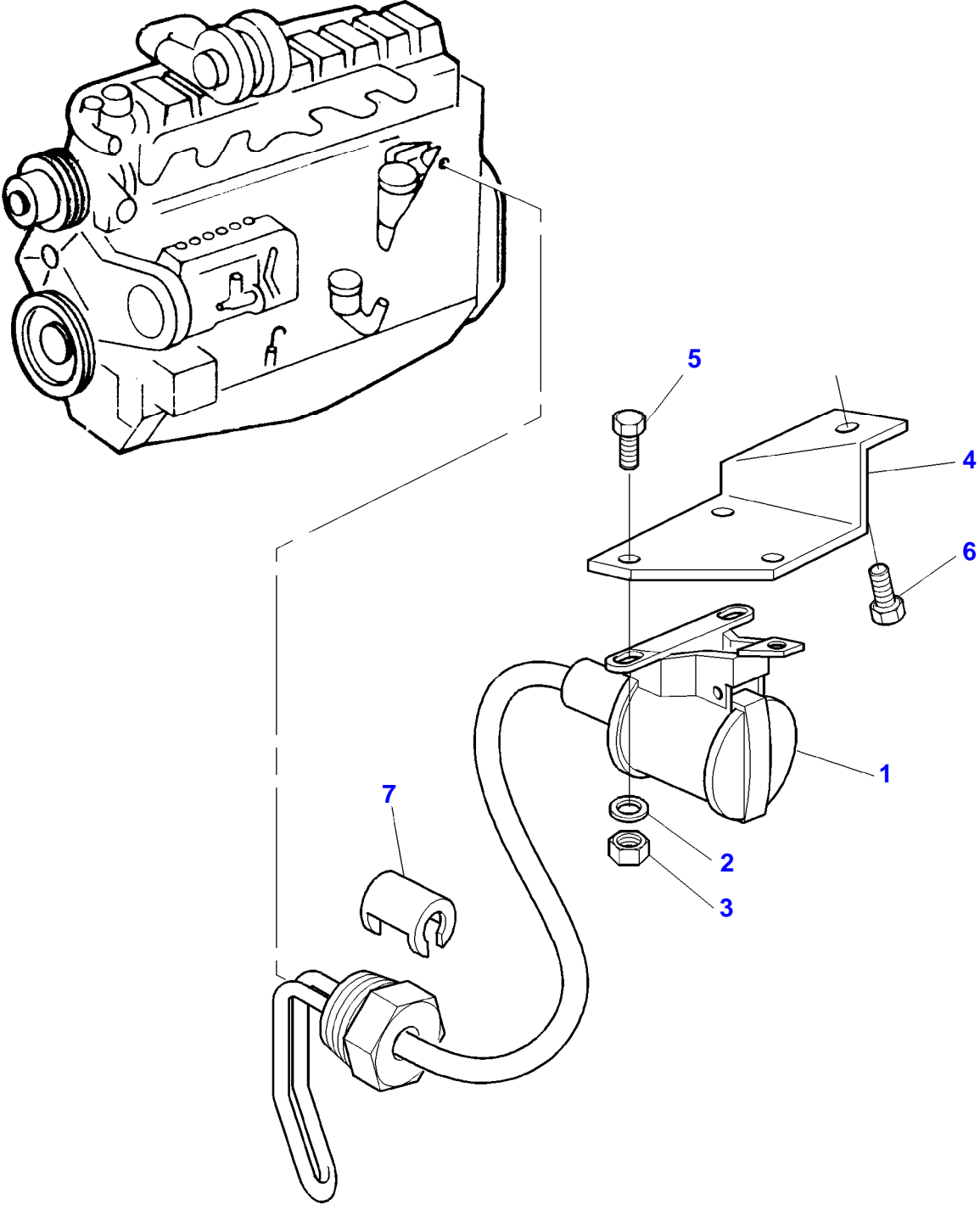
FOOTNOTE [A] NUMBER TO BE ADVISED

FOOTNOTE [B] WITHOUT CONDITIONED AIR

FOOTNOTE [C] WITH CONDITIONED AIR

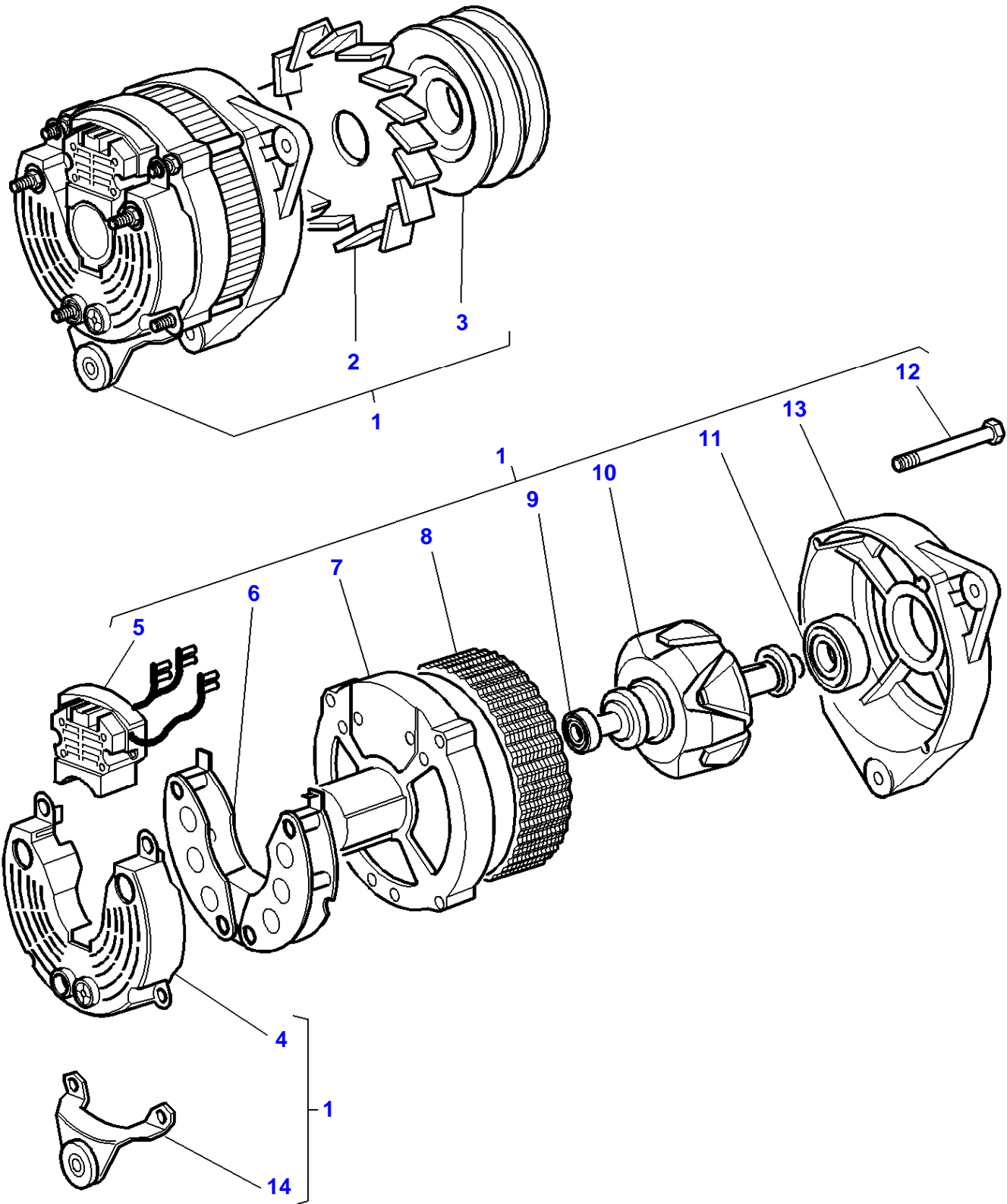
FOOTNOTE [D] NOT ILLUSTRATED

1-AC38-602-C



| Item | Part Number | Qty | Description | Comments |
|------|-------------|-----|------------------|----------|
| 1 | 3615752M2 | 1 | Element | |
| 2 | 3006154X1 | 3 | Washer | |
| 3 | 1443615X1 | 3 | Nut Metric | |
| 4 | 3615753M1 | 1 | Support | |
| 5 | 3009531X1 | 3 | Screw Metric | M4X12 |
| 6 | 339124X1 | 1 | Hex. Sock. Screw | |
| 7 | 3611974M1 | 1 | Clip | |

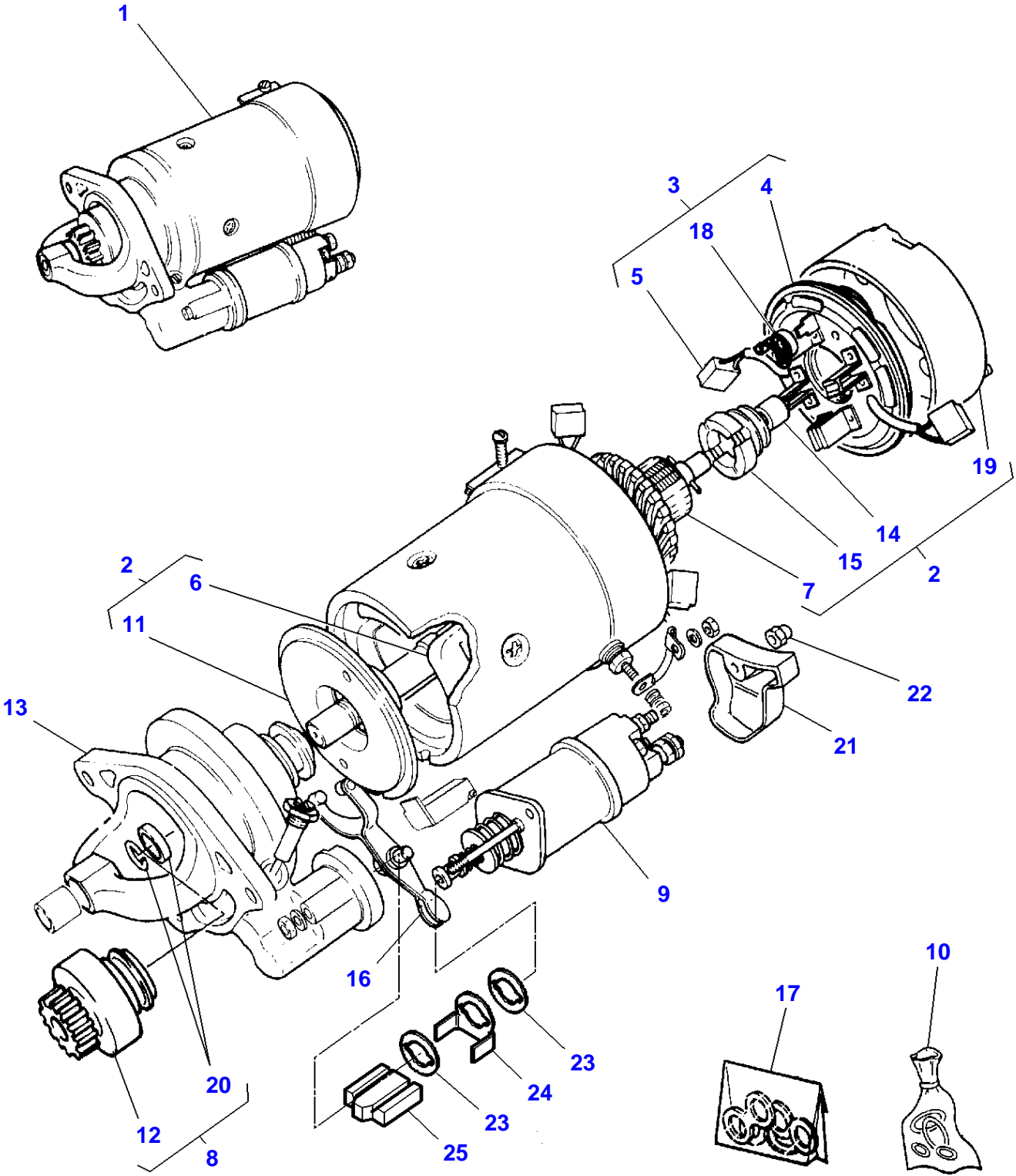
1-AC34-600-A



Alternator - Valeo

| Item | Part Number | Qty | Description | Comments |
|------|-------------|-----|--------------|---|
| 1 | 3618908M1 | 1 | Alternator | VALEO 2541714 |
| 2 | 1897696M1 | 1 | Fan | (1) Replace and repair. Old not interchangeable with new 3900859M1 |
| 3 | 3900858M1 | 1 | Pulley | (1) |
| 4 | | 1 | Cover | (1) Not serviced,order REF NO1 |
| 5 | 3900856M91 | 1 | Regulator | (1) |
| 6 | 3900857M91 | 1 | Bridge | (1) |
| 7 | | 1 | Flange | (1) Not serviced,order REF NO1 |
| 8 | | 1 | Stator | (1) Not serviced,order REF NO1 |
| 9 | 3600404M1 | 1 | Bearing Assy | (1) |
| 10 | | 1 | Rotor | (1) Not serviced,order REF NO1 |
| 11 | 3600403M1 | 1 | Bearing Assy | (1) |
| 12 | | 4 | Screw | (1) Not serviced,order REF NO1 |
| 13 | | 1 | Flange | (1) Not serviced,order REF NO1 |
| 14 | 3903425M1 | 1 | Strap | (1) |

1-AC37-600-C



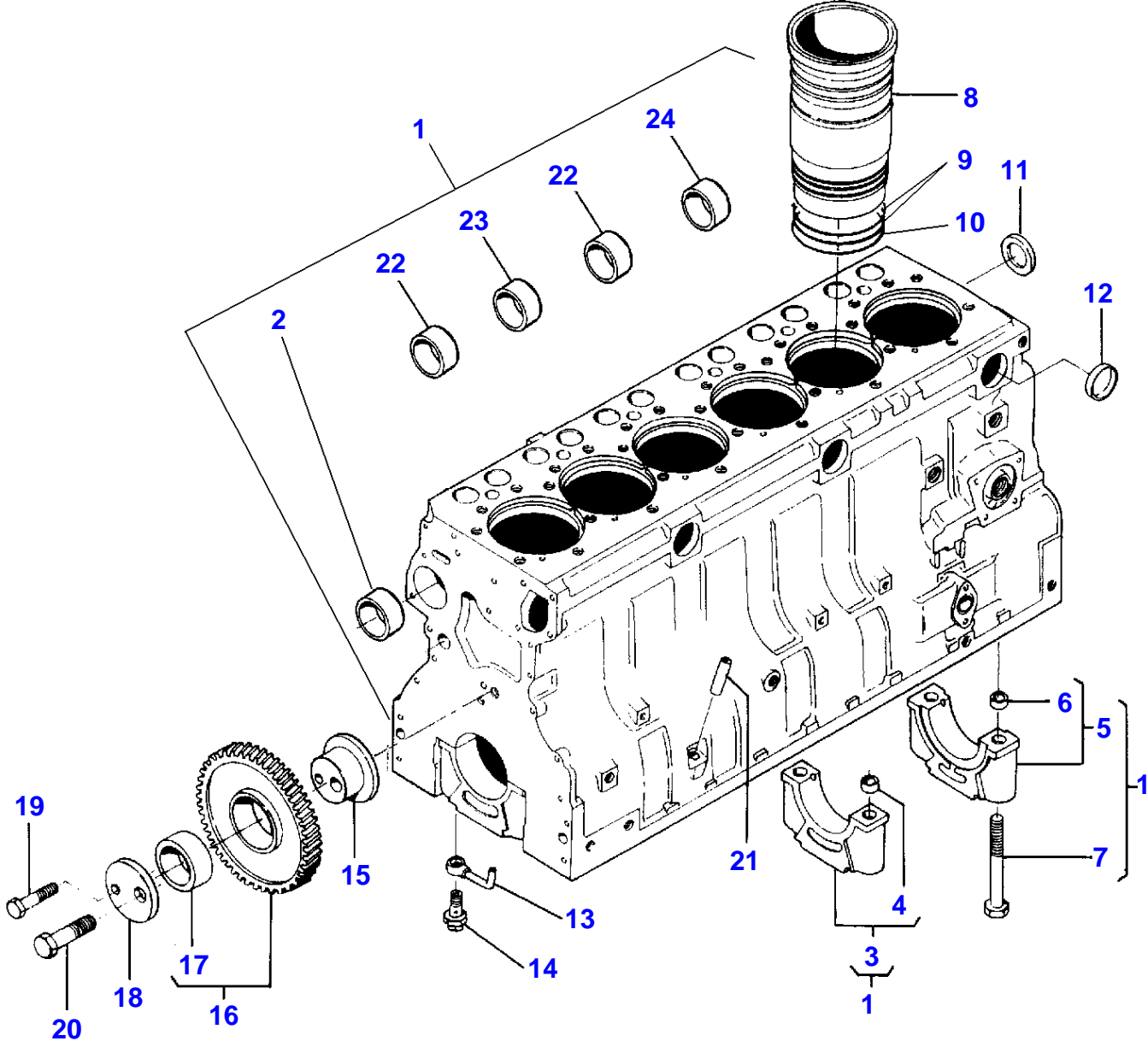
Starter - Magneti-Marelli

| Item | Part Number | Qty | Description | Comments |
|------|------------------|-----|------------------|---|
| 1 | 3581576M3 | 1 | Startermotor | [A] M127/2.8 |
| 2 | 3902392M91 | 1 | Parts Pack | (1) |
| 3 | 3902391M91 | 1 | Parts Pack | (1) |
| 4 | | 1 | Kit, Spring | (3) Not serviced,order REF NO 3 |
| 5 | | 1 | Kit, Brush | (3) Not serviced,order REF NO 3 |
| 6 | | 1 | Coil | (2) Not serviced,order REF NO 2 |
| 7 | | 1 | Armature | (2) Not serviced,order REF NO 2 |
| 8 | 3902390M91 | 1 | Parts Pack | (1) |
| 9 | 3904281M1 | 1 | Solenoid | (1) Replace and repair. Old not interchangeable with new 3901191M1 |
| 10 | 1887967M91 | 1 | Kit | (1) |
| 11 | | 1 | Bearing Plate | (2) Not serviced,order REF NO 2 |
| 12 | | 1 | Drive | (8) Not serviced,order REF NO 8 |
| 13 | 3901195M91 | 1 | Bracket | (1) Up to Serial or Engine Number H174010 |
| | 3904181M91 | 1 | Bracket | (1) From Serial or Engine Number H174011 |
| 14 | | 1 | Bush | (2) Not serviced,order REF NO 2 |
| 15 | | 1 | Kit, Brake | (2) Not serviced,order REF NO 2 |
| 16 | 1897317M92 | 1 | Kit, Lever | (1) |
| 17 | 1806002M1 | 1 | Kit, Seal | (1) |
| 18 | | 1 | Kit, Brush Plate | (3) Not serviced,order REF NO 3 |
| 19 | | 1 | Housing | (2) Not serviced,order REF NO 2 |
| 20 | | 1 | Kit, Retainer | (8) Not serviced,order REF NO 8 |
| 21 | 3611662M1 | 1 | Cover | |
| 22 | 3611638M1 | 1 | Nut | |
| 23 | 3904186M1 | 2 | Gasket | (1) From Serial or Engine Number H174011 |
| 24 | 3904185M1 | 1 | Carrier | (1) From Serial or Engine Number H174011 |
| 25 | 3904184M1 | 1 | Grommet | (1) From Serial or Engine Number H174011 |

FOOTNOTE [A] THE APPROPRIATE SAFETY DECALS MUST BE ORDERED AND FITTED TO THIS PART

MF 8140 TRACTOR - 1637284
1-LA01-600-A

1-LA01-600-A



Cylinder Block

| Item | Part Number | Qty | Description | Comments |
|------|-------------|-----|-----------------|---|
| 1 | V836847275 | 1 | Cylinder Block | |
| 2 | V836322610 | 1 | Bush | (1) |
| 3 | V836324757 | 6 | Bearing Cap | [A] (1) |
| 4 | V836214478 | 12 | Bush | (3) |
| 5 | V836324756 | 1 | Bearing Carrier | [A] (1) |
| 6 | V836214478 | 2 | Bush | (5) |
| 7 | V529903180 | 14 | Screw | (1) |
| 8 | V836647420 | 6 | Liner | STANDARD |
| | V836647933 | X | Liner | Thickness 9,08MM |
| | V836647934 | X | Liner | Thickness 9,13MM |
| | V836647935 | X | Liner | Thickness 9,23MM |
| 9 | V836647502 | 12 | O Ring | |
| 10 | V836647503 | 6 | O Ring | |
| 11 | V836852744 | 1 | Plug | |
| 12 | V640016040 | 3 | Plug | |
| 13 | V836846231 | 6 | Pipe | |
| | V836846231 | 6 | Pipe | Up to Serial or Engine Number F057022 For United States of America |
| | V836855093 | 6 | Pipe | From Serial or Engine Number F057023 For United States of America |
| 14 | V836338601 | 6 | Valve | |
| 15 | V836129709 | 1 | Shaft | |
| 16 | V836129863 | 1 | Gear | |
| 17 | V836129844 | 1 | Bush | (16) |
| 18 | V836129845 | 1 | Flange | |
| 19 | V528801860 | 1 | Screw | |
| 20 | V529902680 | 1 | Screw | |
| 21 | V836014334 | 1 | Pipe | |
| 22 | V836852460 | 2 | Bush | (1) |
| 23 | V836852459 | 1 | Bush | (1) |
| 24 | V836852461 | 1 | Bush | (1) |

FOOTNOTE [A] UNFINISHED

Buy Now



Our support email:

ebooklibonline@outlook.com