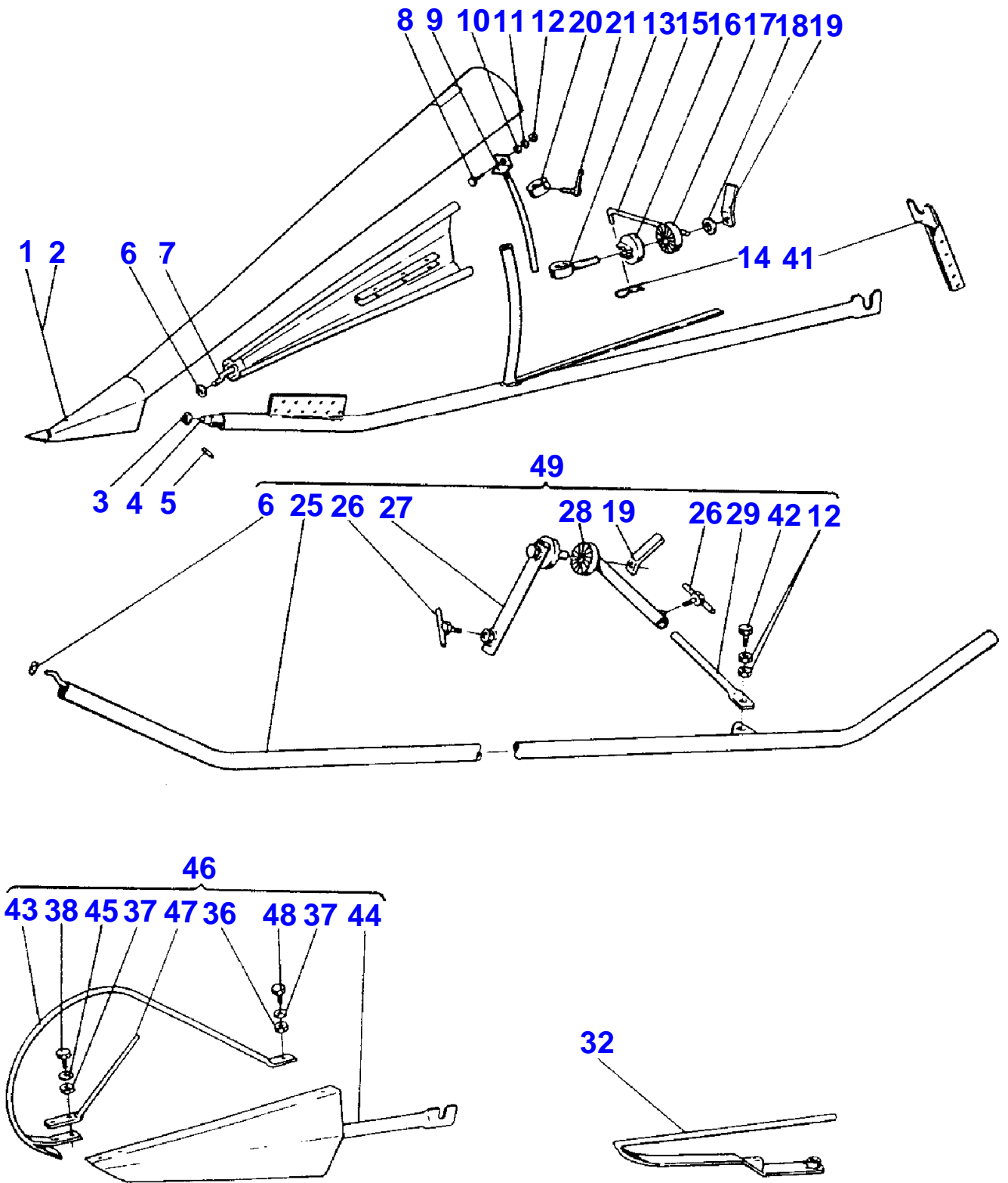


Page Title	Page Number
STRAW DIVIDER	AA1
CUTTING TABLE	AB1
KNIFE	AC1
REEL CARRIER	AD1
PICK UP REEL	AE1
REEL VARIATOR	AF1
FEEDER AUGER	AG1
FEEDER ELEVATOR	AH1
CHAIN OF CROP ELEVATOR	AI1
CASING	BA1
DRUM AND CONCAVE	BC1
CONCAVE SETTING DEVICE	BD1
STRIPPER BEATER	BF1
THRESH. MECHAN. CLUTCH	BG1
FAN	BI1
GRAIN PAN	BK1
SHAKER SHOE	BL1
SHAKER SHOE DRIVE	BM1
BOTTOM TROUGH	BN1
CHAFF HOOD	BO1
RETURN AUGER	CA1
GRAIN ELEVATOR	CB1
GRAIN AUGER	CC1
GRAIN TANK	CD1
GRAIN TANK DOOR	CF1
UNL. PARTS FOR GR. TANK	CG1
GRAIN TANK UNLOADING CL.	CH1
OPERATORS PLATFORM	DA1
THROTTLE, STOP, SPEED LEV.	DE1
CAB PANES AND NOISE INSUL.	DG1
FAN AND AIR HEATER	DH1
ENGINE GUARDS	DM1
GUARDS LEFT	DO1
GUARDS RIGHT	DP1
BRAKES	EB1
HAND BRAKE	EC1
TRACTION HYDR., COMPON.	EJ1
TRACTION HYDR., HOSES	EK1
TYRES	EQ1
HYDR. STEERING	FC1
ELECTRICAL EQUIPMENT	FP1
CABLES	FQ1
CORN SPECIAL EQUIPMENT	HA1
LOSS INDICATOR	HB1
TRAILER	HC1
CUTTING TABLE CLUTCH	AKA1
CUTTING TABLE CLUTCH	AKB1
CYLINDER VARIATOR	BEB1
CYLINDER VARIATOR	BEC1
4-WALKERS	BHA1
5-WALKERS	BHB1
FAN VARIATOR	BJA1
STRAW CUTTER ATT. PARTS	BPA1
STRAW CUTTER	BQA1
GRAIN TANK COVER	CEA1
GRAIN TANK COVER	CEB1
GRAIN TANK COVER	CEC1
UNLOADING AUGER	CIA1
UNLOADING AUGER	CIB1
STEERING EQUIPMENT, SEAT	DBA1
INSTRUMENT PANEL	DCA1
CABIN	DFA1
AIR CONDITIONING	DIA1
AIR CONDITIONING	DIB1
STAIRS, HANDRAILS	DJA1
COOLER HOUSING	DNA1

TABLE OF CONTENT

COOLER HOUSING	UNB1
FRONT AXLE	EAA1
FRONT AXLE	EAB1
FINAL DRIVES	EAC1
GEAR BOX	EDA1
GEAR BOX	EDB1
CLUTCH	EEA1
CLUTCH LINKAGE	EEB1
VAR. SPEED DRIVE	EEC1
GEAR BOX	EFA1
GEAR BOX	EFB1
ENGINE POWER TRANSMISS.	ELA1
ENGINE POWER TRANSMISS.	ELB1
ENGINE POWER TRANSMISS.	ELD1
SUCT. & EXH. PIPE	EMA1
SUCT. & EXH. PIPE	EMB1
SUCT. & EXH. PIPE	EMC1
SUCT. & EXH. PIPE	EMD1
ENGINE EQUIPMENT	EME1
ENGINE EQUIPMENT	EMF1
SUCT. & EXH. PIPE	EMI1
SUCT. & EXH. PIPE	EMJ1
SUCT. & EXH. PIPE	EMK1
ENGINE EQUIPMENT	EML1
ENGINE EQUIPMENT	EMM1
ENGINE EQUIPMENT	EMN1
SUCT. & EXH. PIPE	EMO1
REAR AXLE	EPA1
FOUR-WHEEL DRIVE/VALVES	EPB1
FOUR-WHEEL DRIVE/MOTORS	EPC1
HYDRAULICS	FAA1
HYDRAULICS	FAB1
HYDR. TANK, PUMP	FBA1
HYDR. TANK, PUMP	FBB1
BELTS AND CHAINS	FRA1
BELTS AND CHAINS	FRB1
TRANSFERS MF	FUB1
CORN SPECIAL EQUIPMENT	HAA1
LOSS INDICATOR	HBA1



MASSEY FERGUSON

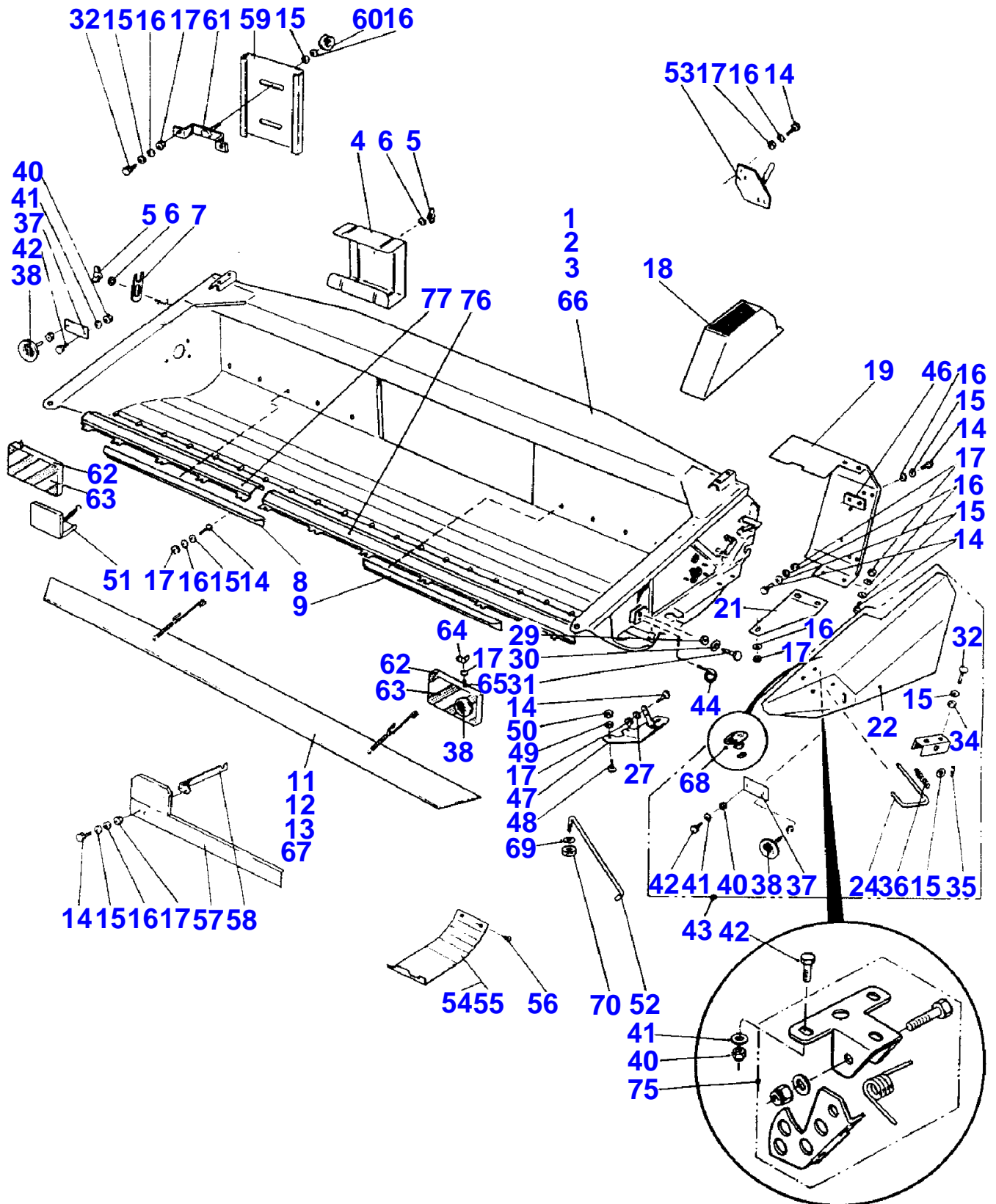
MF 22/23/25/26 COMBINES, ->| 1996 - 1637290

1637290

STRAW DIVIDER

AA1

Item	Part Number	Qty	Description	Comments
1	SR625236	1	Point	Left Hand
2	SR625237	1	Point	Right Hand
3	SR618931	2	Damper	
4	SR618968	2	Tube	
5	S7814198	2	Roll Pin	
6	SR619014	4	Damper	
7	SR618954	2	Deflector	
8	S6226167	2	Screw	
9	SR618960	2	Rod	
10	S7400033	2	Disc	
11	S7414471	2	Lock Washer	
12	S6506434	4	Nut	
13	SR615795	2	Screw	
14	S7812410	2	Linch Pin	
15	SR082536	2	Rod	
16	SR616697	2	Holder	
17	SR082544	2	Holder	
18	S7414062	2	Disc	
19	SR595936	4	Nut	
20	SR596036	2	Collet	
21	SR596034	2	Screw	
25	SR618963	1	Tube	
	SR652141	1	Pipe	For Norway
26	SR596035	4	Screw	
27	SR595864	2	Stay	
28	SR595865	2	Arm	
29	SR082550	2	Rod	
32	SR620041		Ear Lifter	
36	S6506234	4	Nut	
37	S7414469	4	Lock Washer	
38	S6221467	4	Screw	
41	SR588385	2	Adjuster	
42	S6226977	2	Screw	
43	SR643614	1	Crook	
44	SR643607	1	Divider	
45	S7400032	2	Disc	
46	SR643606	2	Divider	
47	SR652195	2	Bar	
48	S6220867	1	Screw	
49	SR643603	1	Tube	



CUTTING TABLE

Item	Part Number	Qty	Description	Comments
1	SR686271	1	Frame	Width 3,1M
2	SR686270	1	Frame	Width 3,4M
3	SR686269	1	Frame	Width 4,2M
4	SR687106	1	Support	
5	S6598504	2	Wing Nut	
6	S7400030	5	Disc	
7	SR678333	1	Holder	
8	SR686283	1	Plate	Width 3,1M
	SR686284	1	Plate	Width 3,4M
	SR685697	1	Plate	Width 4,2M
	SR692459	1	Plate	Width 4,5M
9	SR686283	1	Plate	Width 3,4M
	SR685697	1	Plate	Width 4,5M
11	SR685485	1	Guard	Width 3,1M
12	SR685483	1	Guard	Width 3,4M
13	SR685484	1	Guard	Width 4,2M
14	S6221267	30	Screw	
15	S7400032	30	Disc	
16	S7414469	30	Lock Washer	
17	S6506234	30	Nut	
18	SR678310	1	Guard	
19	SR688773	1	Cowl	
21	SR688775	1	Cowl	
22	SR688765	1	Guard	
23	SR681292	1	Holder	
24	SR678303	1	Lever	
29	S6594238	2	Nut	
30	S7400034	2	Washer	
31	S6231767	2	Screw	
32	S6220867	3	Screw	
34	S6594038	3	Nut	
35	S7812114	1	Cotter	
36	S0415134	1	Spring	
37	SR594817	2	Holder	
38	S8020236	2	Reflector	
40	S6593838	5	Nut	
41	S7400030	5	Disc	
42	S6211067	5	Screw	
43	SR688764	1	Cowl	
44	S7814285	2	Linch Pin	
46	SR681539	2	Nut	
47	SR683115	1	Guard	
48	S6763544	7	Screw	
49	S7414471	12	Lock Washer	
50	S6506434	10	Nut	
51	SR683173	2	Guard	
52	SR688829	1	Holder	
53	SR689044	1	Support	
54	SR689393	1	Plate	
55	SR689394	1	Plate	Right Hand
56	S7268607	4	Screw	
57	SR687157	1	Beam	For Germany only or any text in German only
58	SR661566	1	Support	For Germany only or any text in German only
59	SR687124	1	Plate	For Germany only or any text in German only
60	SR644511	2	Nut	For Germany only or any text in German only
61	SR687121	1	Holder	For Germany only or any text in German only
62	SR691390	2	Guard	
63	S0812714	2	Transfer	
64	S6598704	2	Wing Nut	
65	S6221467		Screw	
66	SR692537	1	Frame	Width 4,5M
67	SR692550	1	Guard	Width 4,5M
68	S0633657	3		
69	S7414057	1	Disc	
70	SR619014	1	Damper	
75	SR693122	1	Lock	From Serial or Engine Number P01554
76	SR688249	1	Plate	Left Hand
				Width 3.1,3.4M
76	SR688254	1	Plate	Left Hand
				Width 4,2M

MASSEY FERGUSON

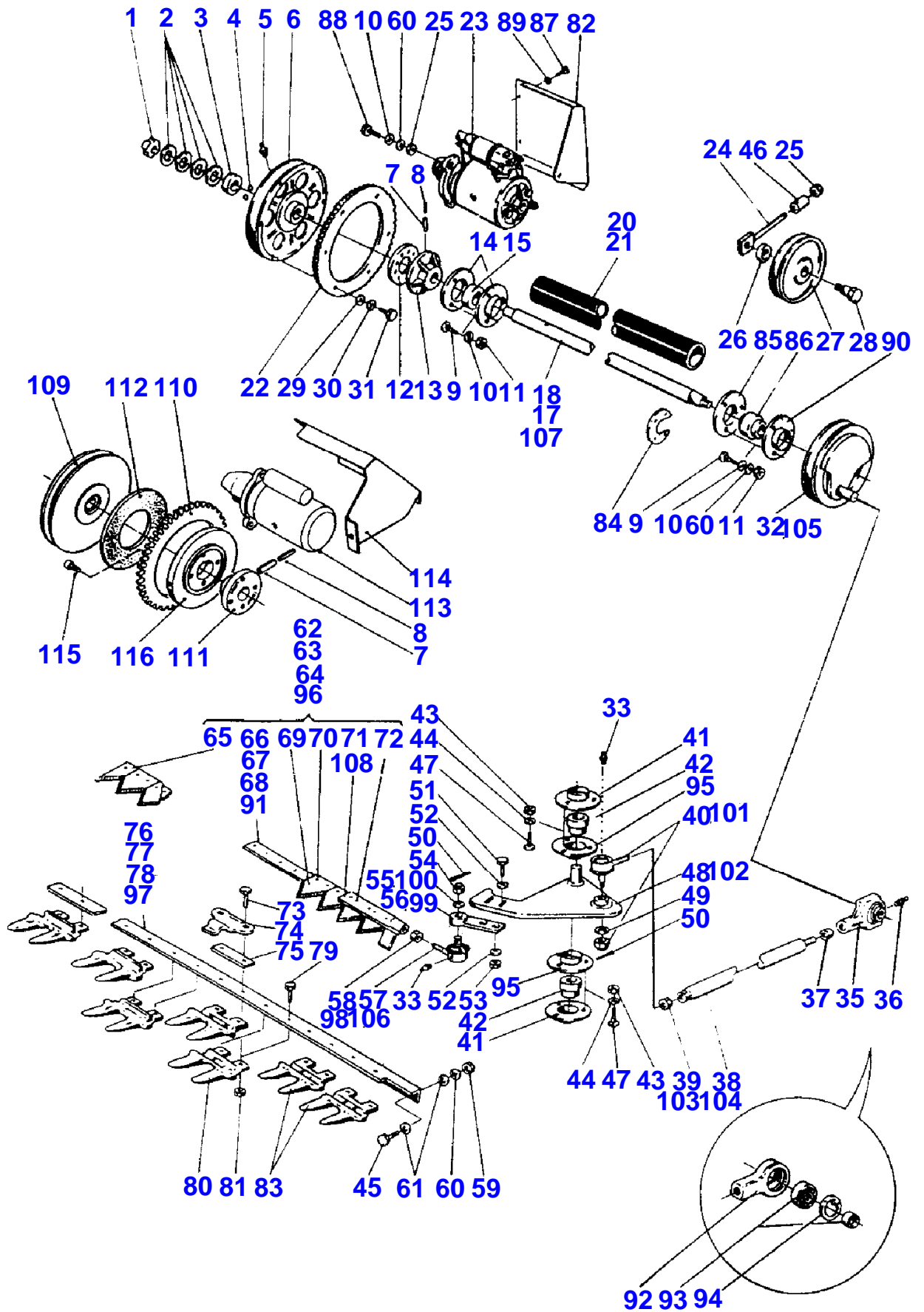
MF 22/23/25/26 COMBINES, ->| 1996 - 1637290

1637290

CUTTING TABLE

AB1

Item	Part Number	Qty	Description	Comments
77	SR688250	1	Plate	Right Hand Width 3,1M





MASSEY FERGUSON

MF 22/23/25/26 COMBINES, ->| 1996 - 1637290

1637290

KNIFE

AC1

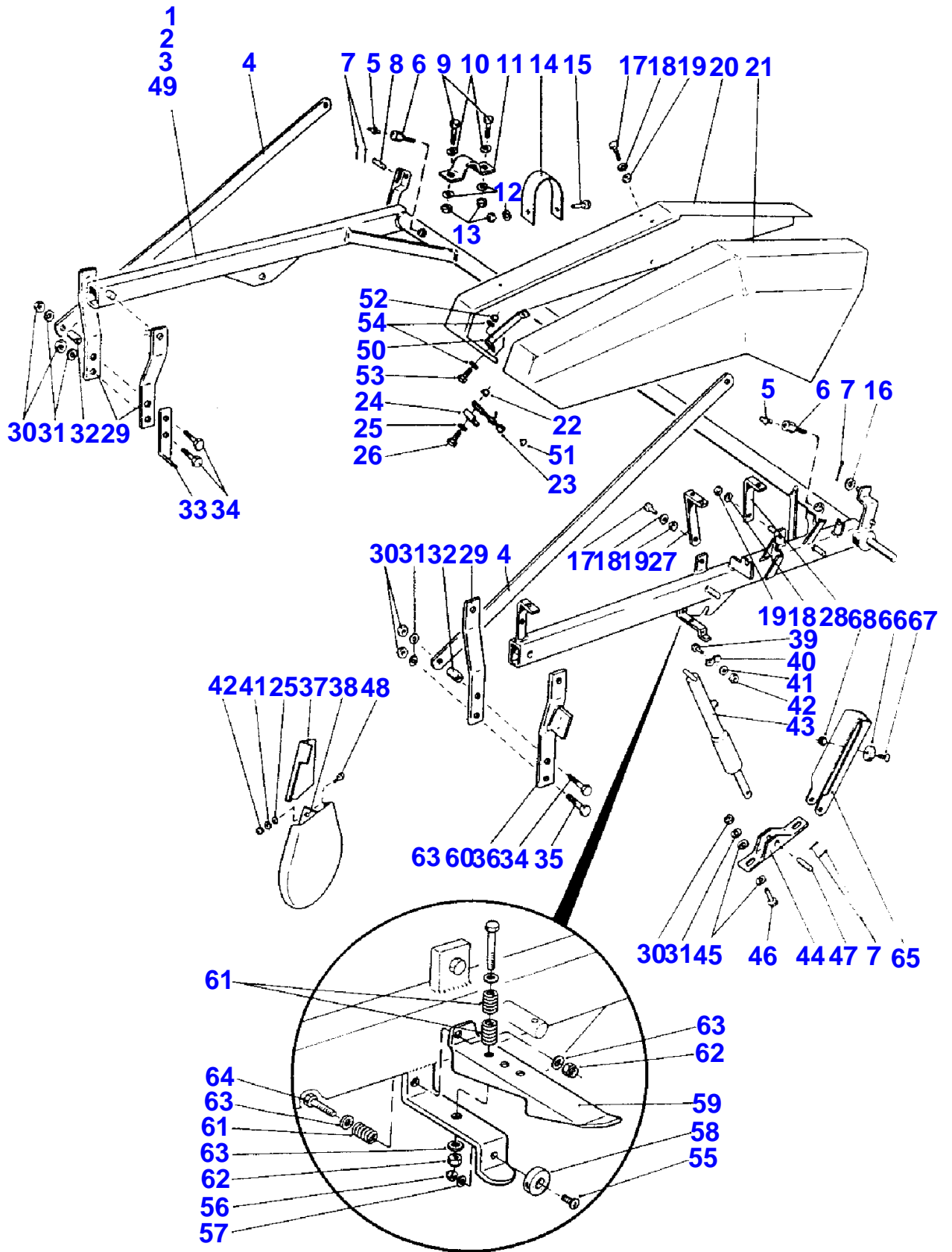
Item	Part Number	Qty	Description	Comments
1	S0563006	1	Nut	
2	S0410175	4	Cup Spring	
3	SR611663	1	Bearing Plate	
4	S0567028	15	Ball	
5	S0252420	1	Nipple	
6	SR611664	1	Pulley	
7	S7814235	1	Roll Pin	
8	S7814181	1	Roll Pin	
9	S6226167	12	Screw	
10	S7400033	12	Disc	
11	S6506434	12	Nut	
12	SR615434	1	Plate	
13	SR615293	1	Coupler	
14	S0569322	4	Flange	
15	S0511057	2	Bearing Ball	
17	SR686229	1	Shaft	Width 3.1,3.4M
18	SR686228	1	Shaft	Width 4.2M
20	S9687797	1	Guard	Width 3.1,3.4M
21	S9687796	1	Guard	Width 4.2M
22	SR688739	1	Ring	
23	S8031910	1	Startermotor	
24	SR652449	1	Nut	
25	S6594148	1	Nut	
26	SR066732	1	Bush	
27	SR586987	1	Tightener	
28	SR596052	1	Shaft	
29	S7414469	6	Lock Washer	
30	S7400032	9	Disc	
31	S6220867	6	Screw	
32	SR689313	1	Disc	
33	S0252405	1	Nipple	
35	S0550010	1	Journal	
36	S0252445	1	Nipple	
37	S6507224	1	Nut	
38	SR688736	1	Crankshaft	
39	S6548062	1	Nut	
40	S0497734	1	Ball Pivot	
41	S0569321	4	Flange	
42	S0511054	2	Bearing Ball	
43	S6594038	6	Nut	
44	S7400032	9	Disc	
45	S6763344	1	Screw	
46	SR676753	1	Bush	
47	S6221467	6	Screw	
48	SR683127	1	Arm	
49	S7400036	1	Disc	
50	S7812123	2	Cotter	
51	S6226767	2	Screw	
52	S7400033	4	Disc	
53	S6594148	2	Nut	
54	S6536735	1	Nut	
55	S7400034	1	Washer	
56	SR673227	1	Lever	
57	S0497732	1	Toggle	
58	S6521731	1	Nut	
59	S6506434		Nut	
60	S7414471		Lock Washer	
61	S7400033		Disc	
62	SR686517	1	Knife	Width 3.1M
63	SR678290	1	Knife	Width 3.4M
64	SR678292	1	Knife	Width 4.2M
65	S0498827	1	Tr Knife Blades	
66	SR686282	1	Knife	Width 3.1M
67	SR676289	1	Knife	Width 3.4M
68	SR678291	1	Knife	Width 4.2M
69	S0498820		Tr Knife Blades	Thickness 2.0MM
	S0498821		Knife	Thickness 2.7MM
70	S7614215		Rivet	Length 13MM
	S7614218		Rivet	Length 16MM
71	SR619620	1	Knife Head	

KNIFE

Item	Part Number	Qty	Description	Comments
72	S7614221	5	Rivet	Length 20MM
72	S7614223	5	Rivet	Length 25MM
73	S6227197		Screw	
74	S0498840		Holder	
75	SR632966		Disc	
76	SR686280	1	Beam	Width 3.1M
77	SR673235	1	Blade Holder	Width 3.4M
78	SR673236	1	Beam	Width 4.2M
79	S6266587		Screw	
80	S0498838		Finger	
81	S6594148		Nut	
82	SR688831	1	Guard	
83	SR638710	2	Finger	
84	SR688774	1	Guard	
85	SR691171	1	Flange	
86	S0511335	1	Bearing	
87	S7266308	2	Screw	
88	S6226567	3	Screw	
89	S7400032	3	Disc	
90	SR691172	1	Flange	
91	SR692479	1	Knife Back	From Serial or Engine Number P01233 4.5M
92	SR692343	1	Bearing	From Serial or Engine Number P01233 4.2,4.5M
93	S0550015	1	Bearing	From Serial or Engine Number P01233 4.2,4.5M
94	S7815254	1	Ring	From Serial or Engine Number P01233 4.2,4.5M
95	SR688400	2	Bearing Cup	From Serial or Engine Number P01233 4.2,4.5M
96	SR692500	1	Knife	From Serial or Engine Number P01233 4.2M
96	SR692478	1	Knife	From Serial or Engine Number P01233 4.5M
97	SR692461	1	Beam	From Serial or Engine Number P01233 4.5M
98	S0493988	1	Nut	From Serial or Engine Number P01233 4.2,4.5M
99	SR692426	1	Lever	From Serial or Engine Number P01233 4.2,4.5M
100	S7400036	1	Disc	From Serial or Engine Number P01233 4.2,4.5M
101	S0497728	1	Joint	From Serial or Engine Number P01233 4.2,4.5M
102	SR692438	1	Lever	From Serial or Engine Number P01233 4.2,4.5M
103	S6522131	1	Nut	From Serial or Engine Number P01233 4.2,4.5M
104	SR692421	1	Rod	From Serial or Engine Number P01233 4.2,4.5M
105	SR692498	1	Pulley	From Serial or Engine Number P01233 4.2,4.5M
106	S0497729	1	Joint	From Serial or Engine Number P01233 4.2,4.5M
107	SR692547	1	Shaft	From Serial or Engine Number P01233 4.2,4.5M
108	SR692480	1	Knife Head	From Serial or Engine Number P01233 4.2,4.5M
109	SR693022	1	Pulley	From Serial or Engine Number P01589 3.1,3.4M
109	SR693022	1	Pulley	From Serial or Engine Number P01541 4.2,4.5M
110	S0493626	1	Ring	From Serial or Engine Number P01589 3.1,3.4M
110	S0493626	1	Ring	From Serial or Engine Number P01541 4.2,4.5M
111	SR692721	1	Clutch Disc	From Serial or Engine Number P01589 3.1,3.4M
111	SR692721	1	Clutch Disc	From Serial or Engine Number P01541 4.2,4.5M

**MASSEY FERGUSON****MF 22/23/25/26 COMBINES, ->| 1996 - 1637290****1637290****KNIFE****AC1**

<b>Item</b>	<b>Part Number</b>	<b>Qty</b>	<b>Description</b>	<b>Comments</b>
112	S0609970	1	Plate	From Serial or Engine Number P01589 3.1,3.4M
112	S0609970	1	Plate	From Serial or Engine Number P01541 4.2,4.5M
113	S8031920	1	Starter Clutch	From Serial or Engine Number P01589 3.1,3.4M
113	S8031921	1	Starter Clutch	From Serial or Engine Number P01541 4.2,4.5M
114	SR693071	1	Guard	From Serial or Engine Number P01589 3.1,3.4M
114	SR693071	1	Guard	From Serial or Engine Number P01541 4.2,4.5M
115	S7002188	4	Screw	
116	SR693029	1	Ring	From Serial or Engine Number P01589 3.1,3.4M
116	SR693029	1	Ring	From Serial or Engine Number P01541 4.2,4.5M



MASSEY FERGUSON

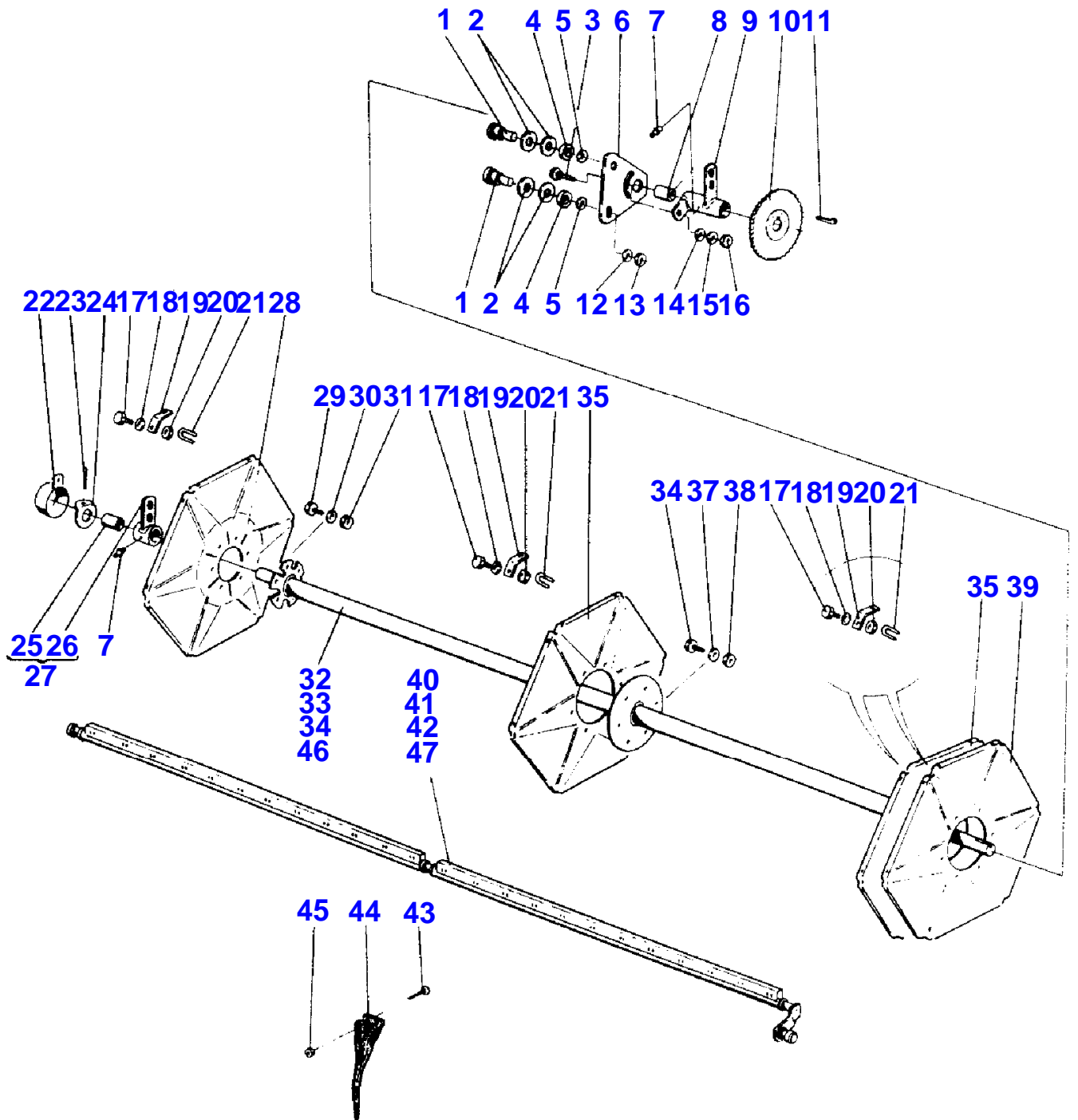
MF 22/23/25/26 COMBINES, ->| 1996 - 1637290

1637290

REEL CARRIER

AD1

Item	Part Number	Qty	Description	Comments
1	SR686355	1	Bar	Width 3.1M
2	SR688840	1	Bar	Width 3.4M
3	SR688841	1	Bar	Width 4.2M
4	SR676578	2	Arm	
5	S0252445	2	Nipple	
6	SR681319	2	Screw	
7	S7812116	7	Cotter	
8	SR590010	2	Pin	
9	S6226167	4	Screw	
10	S7400033	4	Disc	
11	SR671440	2	Bearing	
12	S7414471	4	Lock Washer	
13	S6506434	4	Nut	
14	SR681342	2	Holder	
15	S6228177	2	Screw	
16	S7414062	1	Disc	
17	S6221467	6	Screw	
18	S7400032	6	Disc	
19	S6506234	6	Nut	
20	SR681297	1	Guard	
21	SR681296	1	Guard	
22	S6593838	3	Nut	
23	S0871050	3	Spring	
24	SR672907	3	Cover	
25	S7400030	5	Disc	
26	S6211467	3	Screw	
27	SR681289	1	Holder	
28	SR681290	1	Holder	
29	SR621417	3	Lever	
30	S6506434	8	Nut	
31	S7414471	8	Lock Washer	
32	SR588811	2	Bush	
33	SR633103	1	Protector	
34	S6227767	3	Screw	
35	S6226997	1	Screw	
36	SR621416	1	Lever	
37	SR634718	11	Protector	
38	SR599867	1	Protector	
39	S6211467	2	Screw	
40	SR588383	2	Latch	
41	S7414465	4	Lock Washer	
42	S6506034	4	Nut	
43	SR637360	2	Ram	
44	SR678278	2	Holder	
45	S7400033	8	Disc	
46	S6226167	4	Screw	
47	SR589597	2	Trunnion	
48	S6211667	2	Screw	
49	SR692539	1	Bar	Width 4.5M
50	SR692247	1	Support	From Serial or Engine Number P01201
51	S0633657	4		From Serial or Engine Number P01201
52	S6594038	1	Nut	
53	S6220486	1	Screw	
54	S7400032	2	Disc	
55	S6066614	1	Screw	
56	S6593738	1	Nut	
57	S7400029	1	Disc	
58	S0633658	1	Damper	
59	SR693125	1	Bolt	From Serial or Engine Number P01554
60	S6212477	1	Screw	From Serial or Engine Number P01554
61	S0415254	3	Spring	From Serial or Engine Number P01554
62	S6593838	2	Nut	From Serial or Engine Number P01554
63	S7400030	4	Disc	From Serial or Engine Number P01554
64	S6212077	1	Screw	From Serial or Engine Number P01554
65	SR693077	2	Safety Device	From Serial or Engine Number P01554
66	S0633658	2	Damper	From Serial or Engine Number P01554
67	S6066614	2	Screw	From Serial or Engine Number P01554
68	S6593738	2	Nut	From Serial or Engine Number P01554



**Buy Now**



Our support email:

[ebooklibonline@outlook.com](mailto:ebooklibonline@outlook.com)