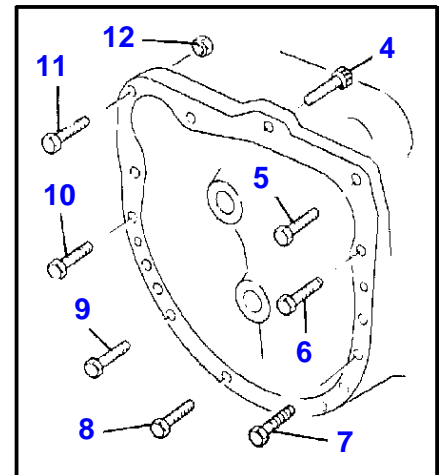
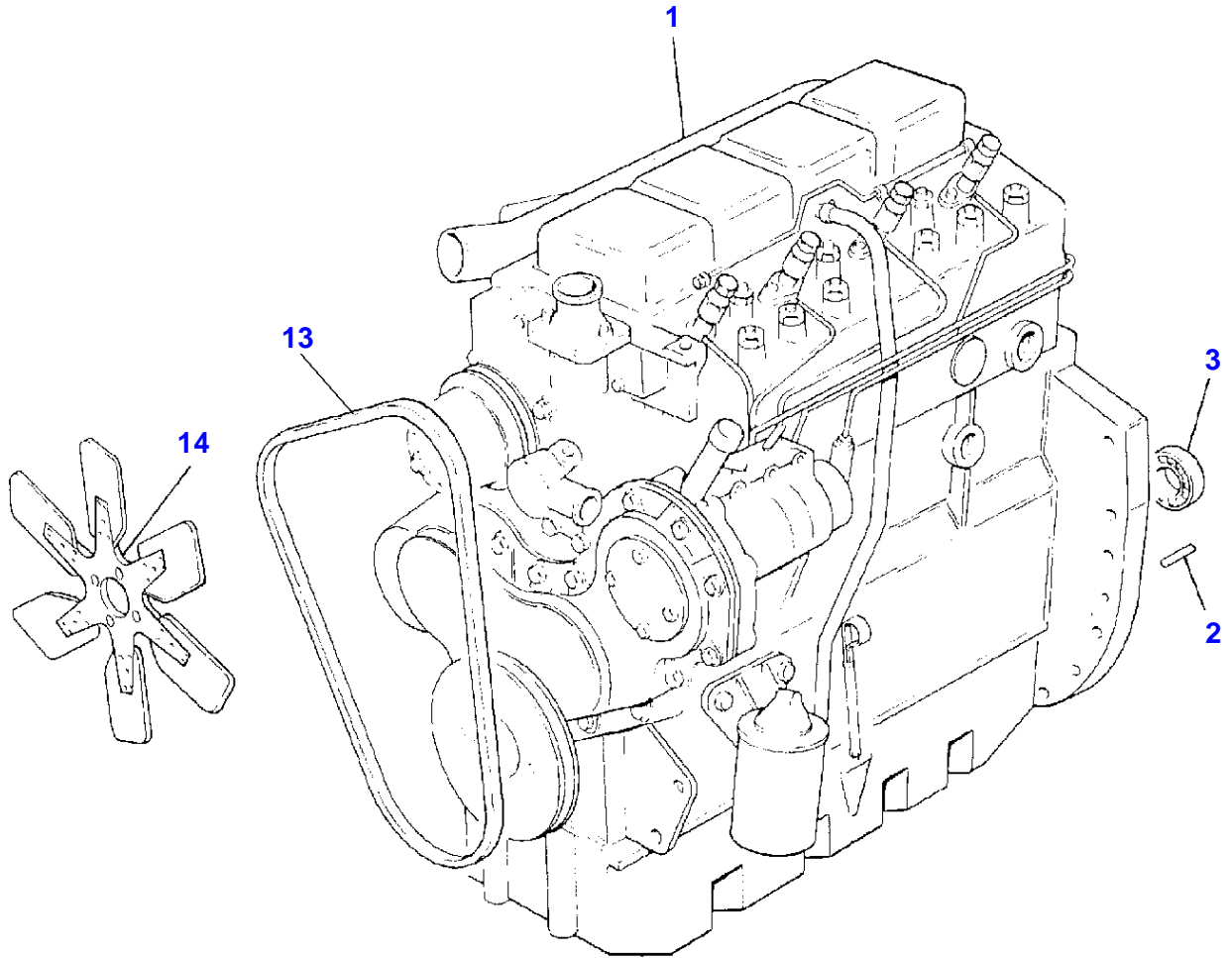


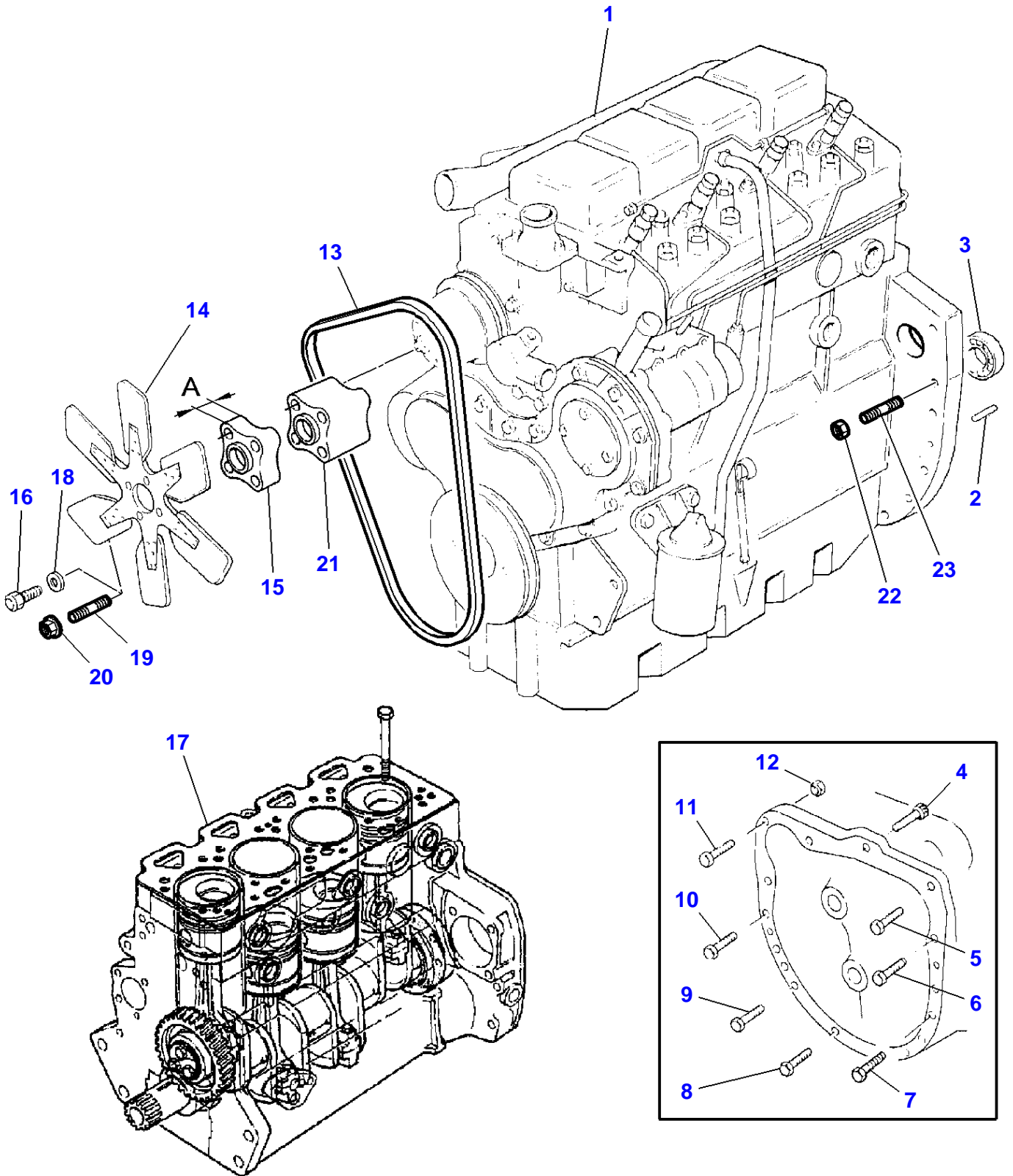
Page Title	Page Number
Engine Installation - A4.236 Up To ... - A4.248 Up To K14041	010-0005
Engine Installation - 4.41 Engine - 265 S From ... - 285 S From K14042	010-0010
Cylinder Block - A4.236 Up To ... - A4.248 Up To K14041	010-0015
Cylinder Block - 4.41 Engine - 265 S From ... - 285 S From K14042	010-0020
Crankshaft, Pistons And Connecting Rods - A4.236 Up To ... - A4.248 Up To K14041	010-0025
Crankshaft, Pistons And Connecting Rods - 4.41 Engine - 265 S From ... - 285 S From K14042	010-0030
Cylinder Head - A4.236 Up To ... - A4.248 Up To K14041	010-0035
Cylinder Head - 4.41 Engine - 265 S From ... - 285 S From K14042	010-0040
Rocker Shaft - A4.236 Up To ... - A4.248 Up To K14041	010-0045
Rocker Shaft - 4.41 Engine - 265 S From ... - 285 S From K14042	010-0050
Timing Gear And Camshaft - A4.236 Up To ... - A4.248 Up To K14041	010-0055
Timing Gear And Camshaft - 4.41 Engine - 265 S From ... - 285 S From K14042	010-0060
Fuel Oil Lift Pump - A4.236 Up To ... - A4.248 Up To K14041	010-0065
Fuel Oil Lift Pump - 4.41 Engine - 265 S From ... - 285 S From K14042	010-0070
Balancer Unit - A4.236 Up To ... - A4.248 Up To K14041	010-0075
Balancer Unit - 4.41 Engine - 265 S From ... - 285 S From K14042	010-0080
Fuel Injection Equipment (Diesel) - A4.236 Up To ... - A4.248 Up To K14041	010-0085
Fuel Injection Equipment (Diesel) - 4.41 Engine - 265 S From ... - 285 S From K14042	010-0090
Lubricating Oil Sump - A4.236 Up To ... - A4.248 Up To K14041	010-0095
Lubricating Oil Sump - 4.41 Engine - 265 S From ... - 285 S From K14042	010-0100
Lubricating Oil Filler And Breather - 4.41 Engine - 265 S From ... - 285 S From K14042	010-0105
Lubricating Oil Filter And Integral Cooler - A4.236 Up To ... - A4.248 Up To K14041	010-0110
Lubricating Oil Filter And Integral Cooler - 4.41 Engine - 265 S From ... - 285 S From K14042	010-0115
Water Pump, Thermostat And Heat Exchanger - A4.236 Up To ... - A4.248 Up To K14041	010-0120
Water Pump, Thermostat And Heat Exchanger - 4.41 Engine - 265 S From ... - 285 S From K14042	010-0125
Water Pump, Thermostat And Heat Exchanger - 4.41 Engine - 265 S From ... - 285 S From K14042	010-0130
Air Induction And Exhaust System - A4.236 Up To ... - A4.248 Up To K14041	010-0135
Air Induction And Exhaust System - 4.41 Engine - 265 S From ... - 285 S From K14042	010-0140
Joints And Gaskets - A4.236 Up To ... - A4.248 Up To K14041	010-0145
Joints And Gaskets - 4.41 Engine - 265 S From ... - 285 S From K14042	010-0150
Alternator Positioner - A4.236 Up To ... - A4.248 Up To K14041	010-0155
Guards - Alternator - A4.236 Up To ... - A4.248 Up To K14041	010-0160
Alternator Positioner - 4.41 Engine - 265 S From ... - 285 S From K14042	010-0165

0-0115-002-A



Item	Part Number	Qty	Description	Comments
1	002246U91	1	Engine	MF 265S A4.236
	002247U91	1	Engine	MF 285S A4.248
2	3792701M1	2	Centraliser	Diameter 9,5 X 19
3	828123M2	1	Bearing Assy	
4	353701X1	1	Bolt Unc	MF 265S 7/16"-14 X 35
	3019858X1	1	Bolt Metric	Up to Serial or Engine Number 30-NOV-1996 M12 X 35
	3807754M1	1	Bolt Metric	From Serial or Engine Number 31-NOV-1996 M12 X 45
5	353706X1	1	Bolt Unc	MF 265S 7/16"-14 X 50,8
	3019851X1	1	Bolt Metric	M12 X 45
6	377562X1	2	Bolt Unc	MF 265S 7/16"-14 X 57
	3019853X1	2	Bolt Metric	M12 X 60
7	353711X1	2	Bolt Unc	MF 265S 7/16"-14 X 66,5
8	353704X1	2	Bolt Unc	MF 265S 7/16"-14 X 44,4
	3019851X1	2	Bolt Metric	M12 X 45
9	353711X1	2	Bolt Unc	MF 265S 7/16"-14 X 66,5
	3019855X1	2	Bolt Metric	M12 X 70
10	377562X1	3	Bolt Unc	MF 265S 7/16"-14 X 57
	3019853X1	3	Bolt Metric	M12 X 60
11	3019851X1	1	Bolt Metric	M12 X 45
	353564X1	1	Bolt Unf	MF 265S 7/16"-20 X 41,1
12	3019862X1	1	Nut Metric	M12
	353426X1	1	Nut Unf	MF 265S 7/16"-20
13	0011152U1	1	V Belt	
14	001651U91	1	Fan	

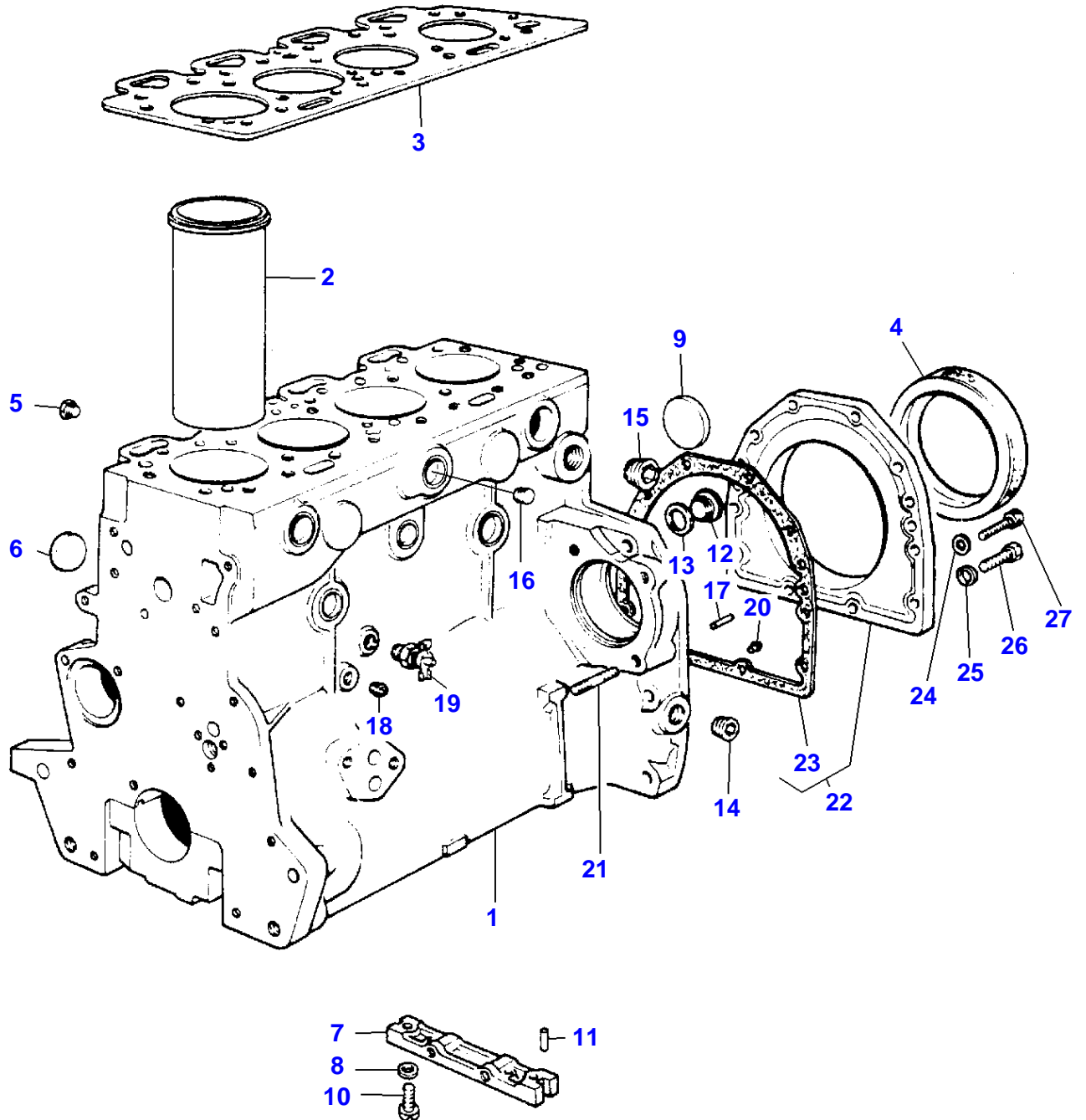
0-0115-005-B



Item	Part Number	Qty	Description	Comments
1	002308U91	1	Engine	PEL - LM81364 MF 265S
	002309U91	1	Engine	[A] PEL - LM31456 PEL - LM81364 MF 265S
	3820562E91	1	C3 Exchange Eng.	PEL - LM31457 MF 285S
	002310U91	1	Engine	[A] PEL - LM31457 MF 285S
2	3792701M1	2	Centraliser	Diameter 9,5 X 19
3	828123M2	1	Bearing Assy	
4	3019858X1	1	Bolt Metric	M12 X 35
5	3019851X1	1	Bolt Metric	M12 X 45
6	3019853X1	2	Bolt Metric	M12 X 60
7	3019855X1	2	Bolt Metric	M12 X 70
8	3019851X1	2	Bolt Metric	M12 X 45
9	3019855X1	2	Bolt Metric	M12 X 70
10	3019853X1	3	Bolt Metric	M12 X 60
11	3019851X1	1	Bolt Metric	M12 X 45
12	3019862X1	1	Nut Metric	M12
13	002217U1	1	V Belt	Up to Serial or Engine Number ...
	002214U1	1	V Belt	From Serial or Engine Number ...
14	001651U91	1	Fan	
15	002346U1	2	Spacer	A = 26,4 MM
16	390246X1	4	Bolt	M8 X 70
17	4224045M91	1	Short Engine	
18	353446X1	4	Lock Washer	5/16"
19	4224362M1	4	Stud	M8
20	3637137M1	4	Nut	
21	3638570M1	1	Spacer	A = 38,1 MM
22	3637221M1	3	Nut	
23	4222720M1	3	Stud	

FOOTNOTE [A] WITH HYDROSTATIC STEERING

0-0560-002-B



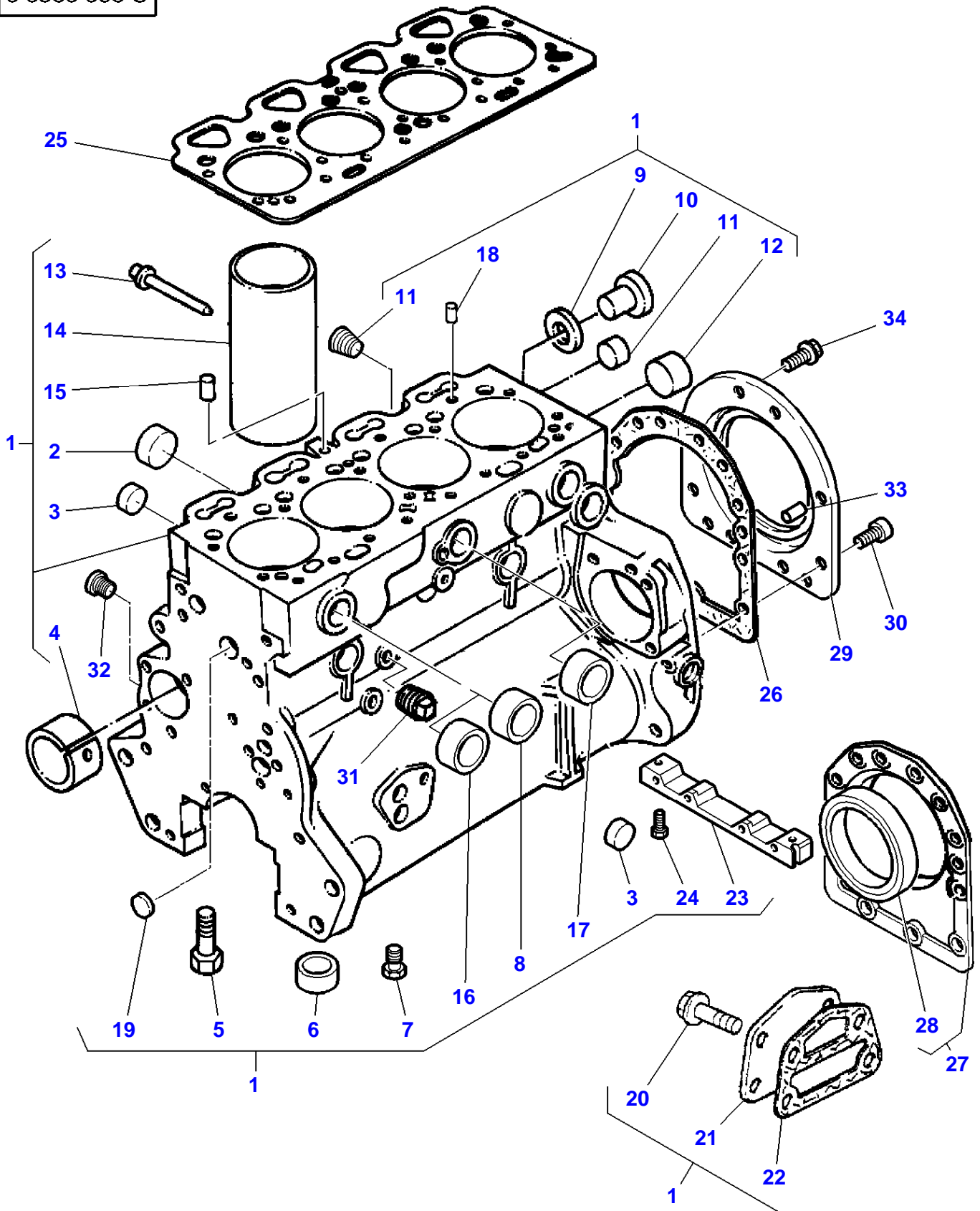
Item	Part Number	Qty	Description	Comments
1	3641082M91	1	Cylinder Block	MF 285S A4.248
	4225194M91	1	Cylinder Block	MF 265S A4.236
2	3637331M1	4	Liner	[A] (1) MF 285S A4.248
	3637332M1	X	Liner	[B] MF 285S A4.248
	3637333M1	4	Liner	[A] (1) MF 265S A4.236
	3637334M1	X	Liner	[B] MF 265S A4.236
3	4222500M1	1	Head Gasket	[C]
4	1447691M1	1	Seal	
5	376670X1	1	Plug	
6	4222012M1	4	Plug	
7	3638829M1	1	Bridge Piece	
8	735898M1	2	Washer	
9	4222043M1	1	Plug	Replace and repair. Old not interchangeable with new 733705M1
10	3640667M1	2	Screw	
11	4222702M1	2	Loctite	
12	376180X1	1	Plug	
13	4224555M1	1	Washer	
14	363819X1	1	Plug	
15	363819X1	2	Plug	
16	748040M1	1	Plug	
17	731947M1	2	Dowel	
18	1877721M92	1	Pressure Switch	Replace and repair. Old interchangeable with new 3599307M91
19	31419M	1	Cock	Replace and repair. Old interchangeable with new 1851095M2
20	745017M1	1	Pointer	
21	731862M1	3	Stud	
22	3640868M91	1	Housing	
23	4223587M1	1	Joint	(22)
24	745015M1	2	Washer	
25	375703X1	10	Washer	
26	353519X1	10	Bolt Unf	5/16"-24 X 25,4
27	357987X1	2	Bolt	

FOOTNOTE [A] PRESS FIT

FOOTNOTE [B] SLIP FIT

FOOTNOTE [C] NON-ASBESTOS

0-0560-006-C

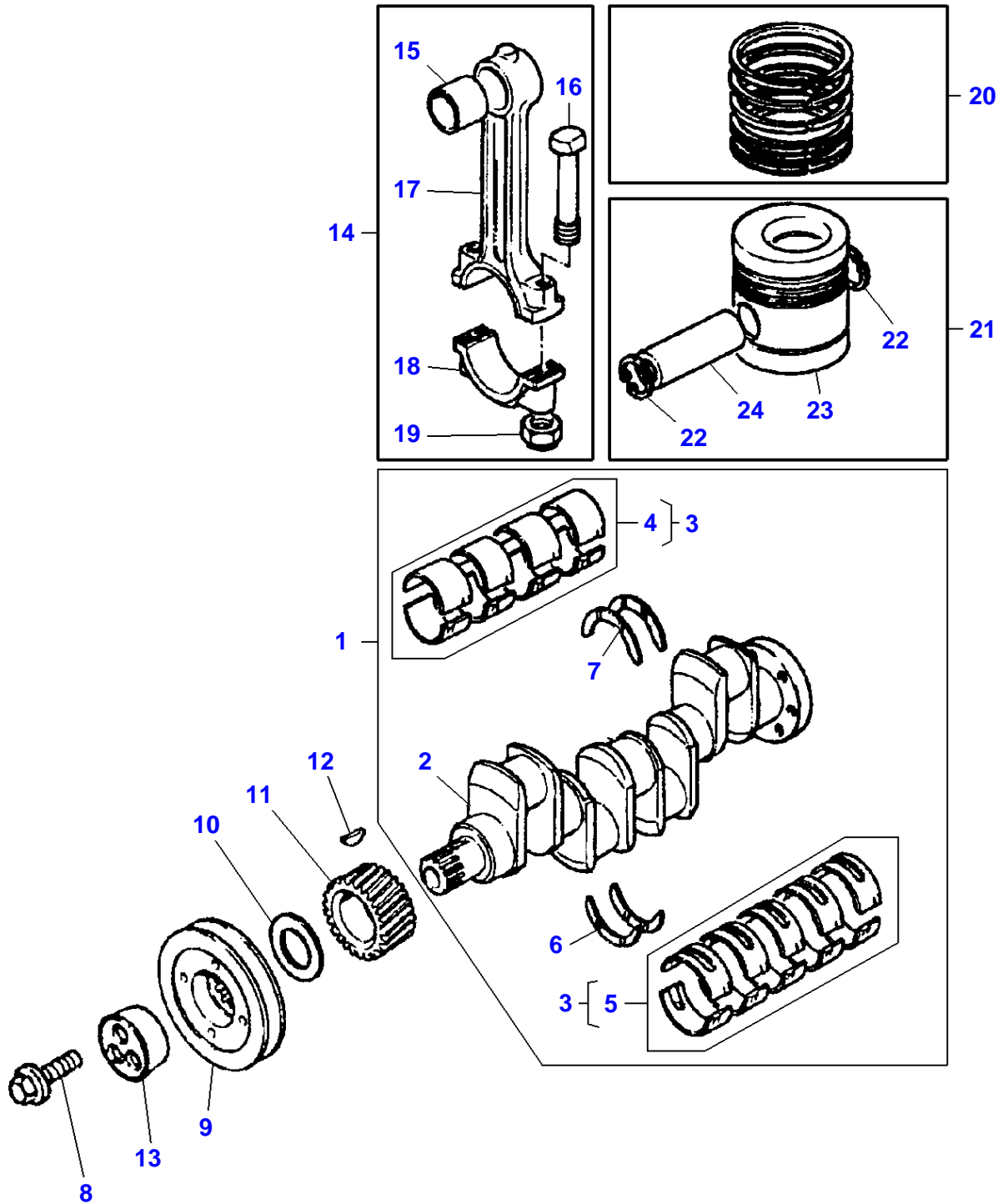


Item	Part Number	Qty	Description	Comments
1	4224538M91	1	Kit,Cyl.Block	Repairs and replaces 4222277M91
2	4222012M1	4	Plug	(1) Up to Serial or Engine Number ...
	4224540M1	4	Plug	(1) From Serial or Engine Number ...
3	363819X1	3	Plug	(1)
4	4222017M1	1	Bush	(1)
5	1476108X1	10	Screw	(1)
6	733072M1	10	Ring	(1)
7	376670X1	4	Plug	(1)
8	731354M1	5	Plug	(1)
9	4224555M1	1	Washer	(1)
10	376180X1	1	Plug	(1)
11	746259M1	6	Plug	(1)
12	4222043M1	1	Plug	(1)
13	1476282X1	1	Plug	(1)
14	3637333M1	4	Liner	[A] (1)
	3637334M1	X	Liner	[B] (1)
15	736868M1	1	Plug	(1)
16	3641736M1	1	Plug	(1) Diameter 25,971+/-0,063MM
17	731354M1	1	Plug	(1) Diameter 32,397+/-0,114MM
18	4222439M1	2	Dowel	(1)
19	731856M1	1	Plug	(1)
20	3638424M1	4	Screw	(1)
21	4222048M1	1	Plate	(1)
22	3638708M1	1	Joint	(1)
23	4225408M1	1	Bridge Piece	(1) From Serial or Engine Number ...
24	3637236M1	2	Screw	(1)
25	4224501M1	1	Head Gasket	Replace and repair. Old not interchangeable with new 4222534M1
26	4223587M1	1	Joint	
27	3640868M91	1	Housing	Up to Serial or Engine Number U920937H
28	1447691M1	1	Seal	(27)
29	4224532M1	1	Housing	From Serial or Engine Number U920938H
30	3641756M1	2	Screw	
31	731996M1	1	Plug	
32	376670X1	1	Plug	
33	731947M1	2	Dowel	
34	3637008M1	12	Screw	

FOOTNOTE [A] PRESS FIT

FOOTNOTE [B] SLIP FIT

0-0563-002-C



Item	Part Number	Qty	Description	Comments
1	3641031M91	1	Kit, Crankshaft	
2		1	Crankshaft	(1) Not serviced,order REF. 1
3	3640745M91	1	Kit, Bearing	(1)
	3640510M91	X	Kit, Bearing	[A] (1) Thickness (-)0.25MM Thickness (-)0.010"
	3640511M91	X	Kit, Bearing	[A] (1) Thickness (-)0.50MM Thickness (-)0.020"
	3640512M91	X	Kit, Bearing	[A] (1) Thickness (-)0.75MM Thickness (-)0.030"
4	736950M91	1	Kit, Bearing	[A] (3)
	736951M91	X	Kit, Bearing	[A] (3) Thickness (-)0.25MM Thickness (-)0.010"
	736952M91	X	Kit, Bearing	[A] (3) Thickness (-)0.50MM Thickness (-)0.020"
	736953M91	X	Kit, Bearing	[A] (3) Thickness (-)0.75MM Thickness (-)0.030"
5	735168M91	1	Kit, Bearing	[A] (3)
	735169M91	X	Kit, Bearing	[A] (3) Thickness (-)0.25MM Thickness (-)0.010"
	735170M91	X	Kit, Bearing	[A] (3) Thickness (-)0.50MM Thickness (-)0.020"
	735171M91	X	Kit, Bearing	[A] (3) Thickness (-)0.75MM Thickness (-)0.030"
6	747129M1	2	Thrust Washer	(1)
	735743M1	X	Washer	(1) Thickness (+)0.19MM Thickness (+)0.0075"
7	747128M1	2	Thrust Washer	(1)
	735742M1	X	Washer	(1) Thickness (+)0.19MM Thickness (+)0.0075"
8	3638113M1	3	Screw	
9	3638098M1	1	Pulley	
10	742539M1	1	Washer	
11	734749M1	1	Gear	Number of teeth/spines 28
12	2196X	1	Key	
13	3638115M1	1	Thrust Block	
14	3637034M91	4	Kit, Conrod	
15	733767M1	1	Bush	(14)
16	4222485M1	2	Screw	(14) Replace and repair. Old not interchangeable with new 3637029M1
17		1	Conrod	(14) Not serviced,order REF. 14
18		1	Cap	(14) Not serviced,order REF. 14
19	3637030M1	2	Nut	(14)
20	745763M91	4	Kit, Piston Ring	MF 265S A4.236
	747428M91	4	Kit, Piston Ring	MF 285S A4.248

Massey Ferguson

MF 265 S / 285 S TRACTORS (TR) - 1637304

1637304

Crankshaft, Pistons And Connecting Rods - A4.236 Up To ... - A4.248 Up To K14041

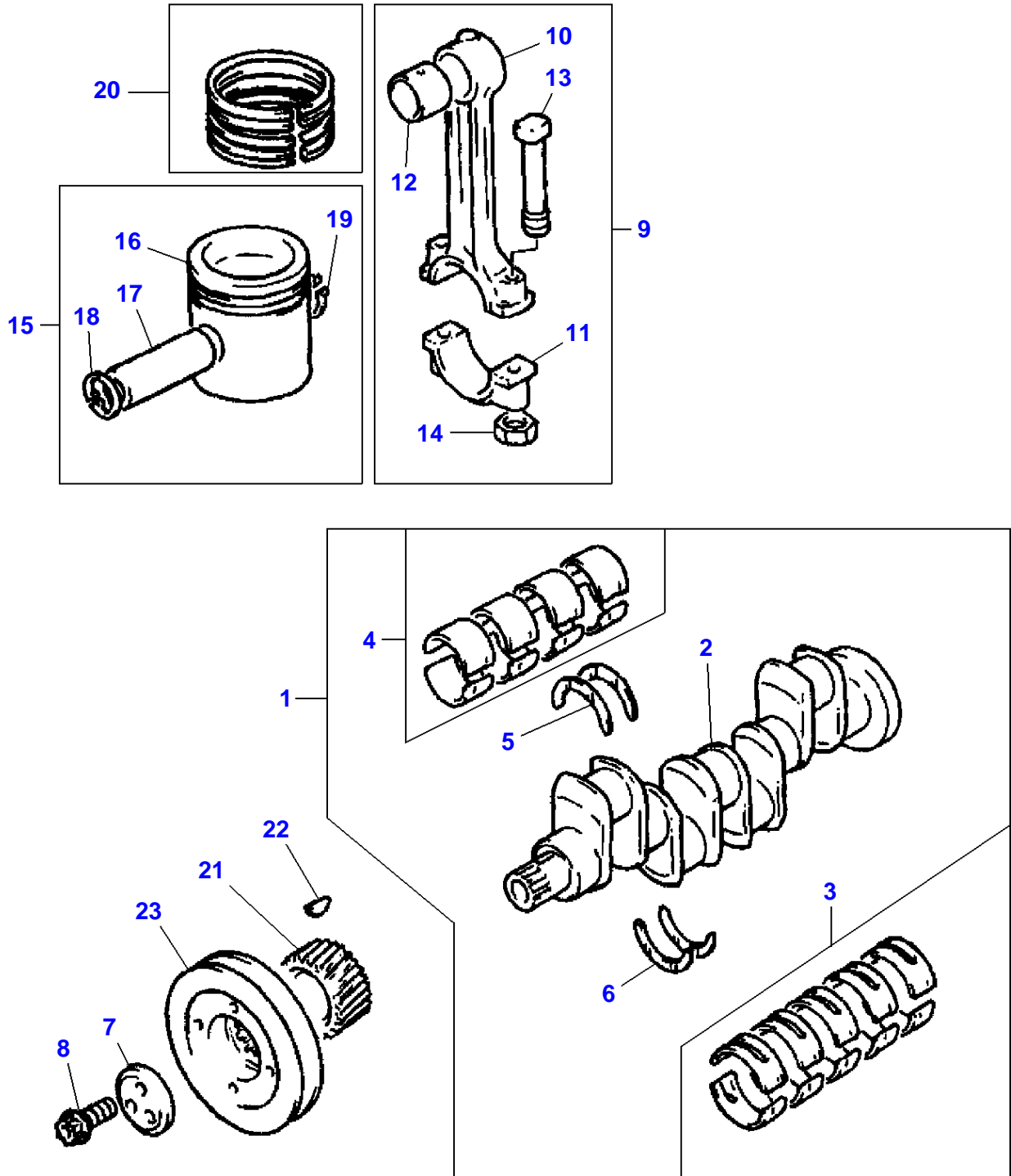
Page010-0025

Item	Part Number	Qty	Description	Comments
21	743110M91	4	Piston	[C] MF 265S A4.236
21	743111M91	X	Kit, Piston	[C] MF 265S A4.236 Thickness (+)0.030" Thickness (+)0.75MM
21	740821M91	4	Piston	MF 285S A4.248
22	376131X1	2	Clip	(21)
23		1	Piston	(21) Not serviced,order REF. 21
24		1	Pin	(21) Not serviced,order REF. 21

FOOTNOTE [A] PRE-FINISHED

FOOTNOTE [C] PRE-TOPPED

0-0563-006-B



Item	Part Number	Qty	Description	Comments
1	3641031M91	1	Kit, Crankshaft	
2		1	Crankshaft	(1) Not serviced,order REF. 1
3	735168M91	1	Kit, Bearing	[A] (1)
	735169M91	X	Kit, Bearing	[A] Thickness (-)0.25MM Thickness (-)0.010"
	735170M91	X	Kit, Bearing	[A] Thickness (-)0.50MM Thickness (-)0.020"
	735171M91	X	Kit, Bearing	[A] Thickness (-)0.75MM Thickness (-)0.030"
4	736950M91	1	Kit, Bearing	[A] (1)
	736951M91	X	Kit, Bearing	[A] Thickness (-)0.25MM Thickness (-)0.010"
	736952M91	X	Kit, Bearing	[A] Thickness (-)0.50MM Thickness (-)0.020"
	736953M91	X	Kit, Bearing	[A] Thickness (-)0.75MM Thickness (-)0.030"
5	747128M1	2	Thrust Washer	(1)
	735742M1	X	Washer	Thickness (+)0.19MM Thickness (+)0.0075"
6	747129M1	2	Thrust Washer	(1)
	735743M1	X	Washer	Thickness (+)0.19MM Thickness (+)0.0075"
7	3638115M1	1	Thrust Block	
8	3638113M1	3	Screw	
9	3637034M91	4	Kit, Conrod	
10		1	Conrod	(9) Not serviced,order REF. 9
11		1	Cap	(9) Not serviced,order REF. 9
12	733767M1	1	Bush	(9)
13	4222485M1	2	Screw	(9)
14	3637030M1	2	Nut	(9)
15	4223499M91	4	Kit, Piston	STANDARD
	747049M91	4	Kit, Piston	[B]
	747050M91	4	Kit, Piston	[C]
16		1	Piston	(15) Not serviced,order REF. 15
17		1	Pin	(15) Not serviced,order REF. 15
18	376131X1	1	Clip	(15)
19	376131X1	1	Clip	(15)
20	4222053M91	4	Kit, Piston Ring	
21	3638105M1	1	Gear	
22	70905845	1	Key	
23	748238M1	1	Pulley	

FOOTNOTE [A] PRE-FINISHED

FOOTNOTE [B] UNTOPPED

FOOTNOTE [C] PRE-TOPPED

Buy Now



Our support email:

ebooklibonline@outlook.com