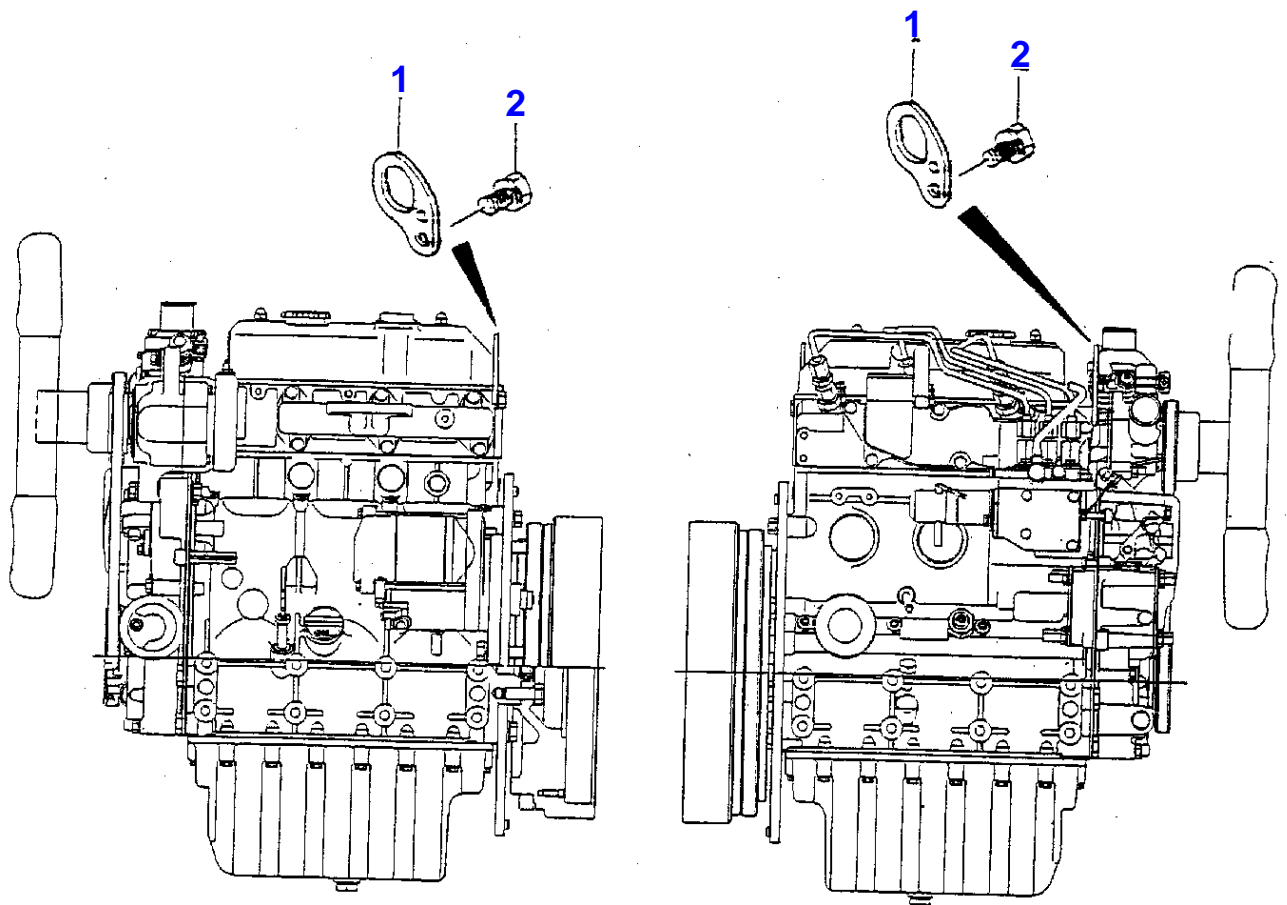


Page Title	Page Number
Hanger	010-0005
Cylinder Head	010-0010
Cylinder Head Cover	010-0015
Inlet Manifold	010-0020
Exhaust Manifold	010-0025
Cylinder Block	010-0030
Crankcase	010-0035
Timing Gear Housing	010-0040
Rocker Shaft And Valves	010-0045
Camshaft	010-0050
Piston	010-0055
Crankshaft - For Hydrostatic Transmission	010-0060
Crankshaft - For Hydrostatic Transmission	010-0065
Lubrication	010-0070
Water Pump	010-0075
Fan	010-0080
Injection	010-0085
Injection	010-0090
Injection	010-0095
Injection Pump	010-0100
Injection Pump	010-0105
Fuel Pipes	010-0110

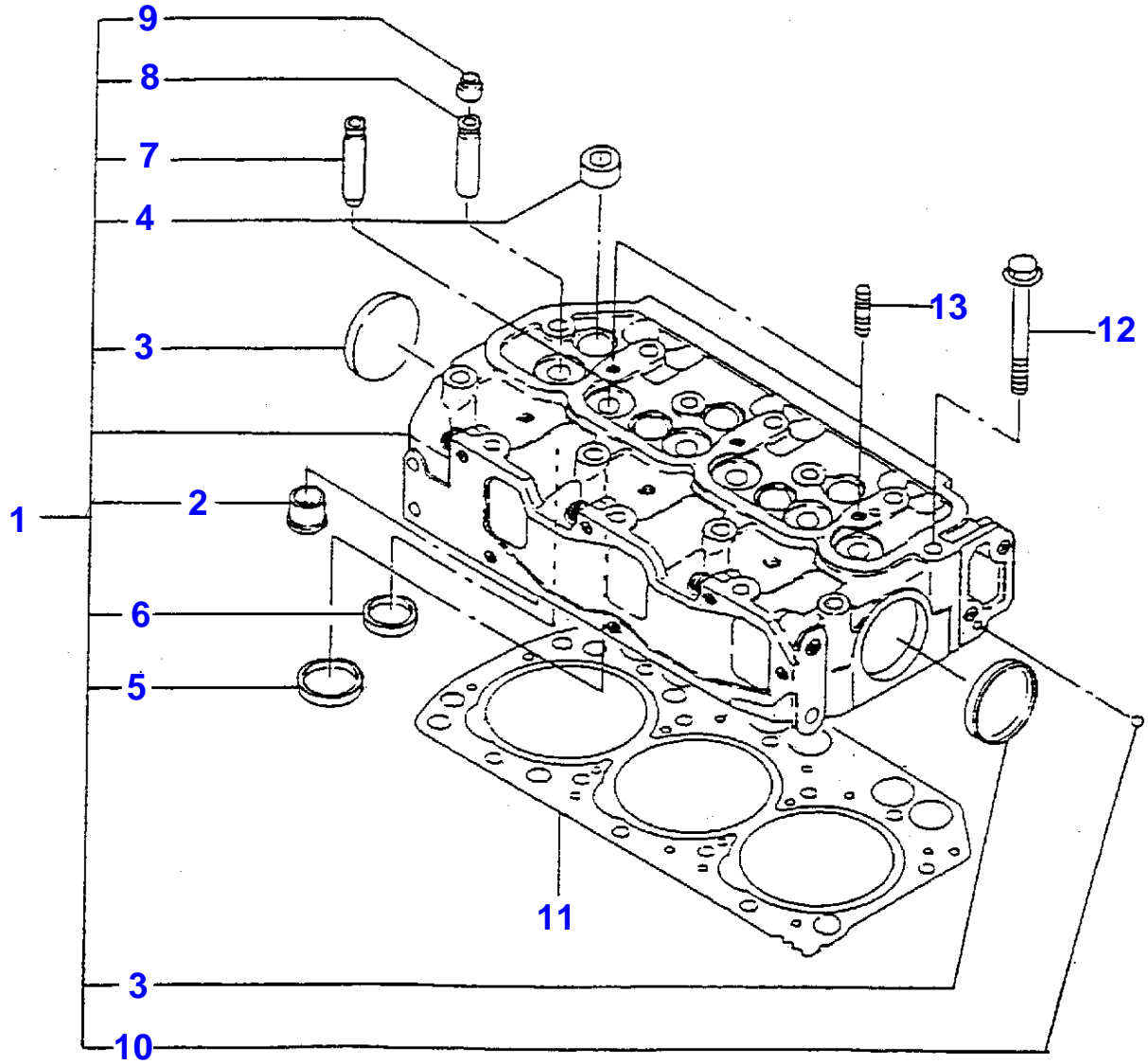
3-IS10-007-A



Hanger

Item	Part Number	Qty	Description
1	3710190M2	2	Hanger
2	3704341M1	2	Bolt

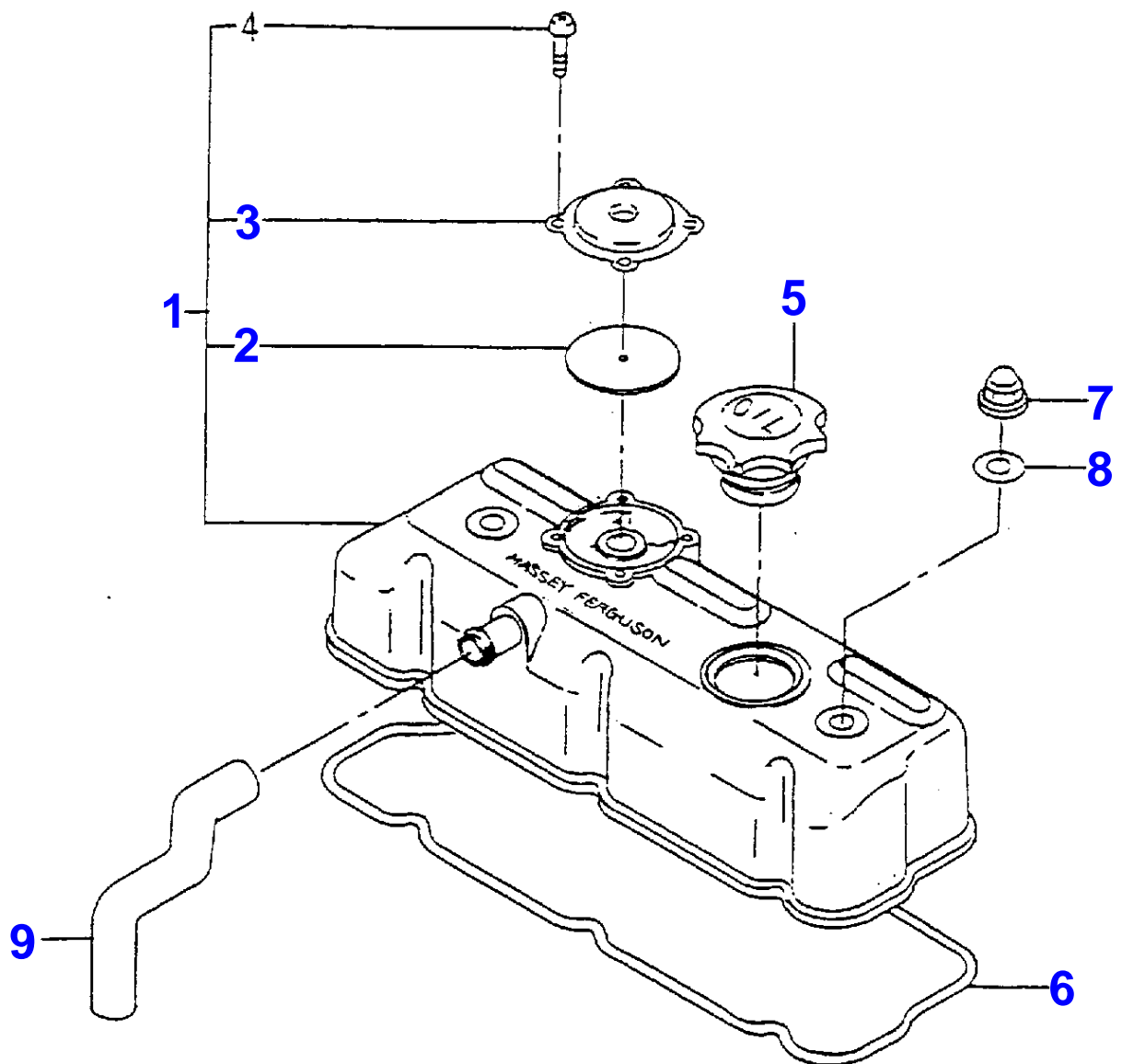
3-IS01-011-A



Cylinder Head

Item	Part Number	Qty	Description	Comments
1	3756961M93	1	Cylinder Head	Up to Serial or Engine Number 80618
	3607504M91	1	Cylinder Head	From Serial or Engine Number 80619
2	3756966M91	3	Plug	(1)
3	3710542M1	2	Cup	(1)
4	3707877M2	5	Plug	(1)
5	3704530M1	3	Valve Seat	(1)
				Up to Serial or Engine Number 80618
	3607125M1	3	Pressure Valve	(1)
				From Serial or Engine Number 80619
6	3704529M1	3	Valve Seat	(1)
7	3710581M1	3	Valve	(1)
8	3710582M1	3	Valve	(1)
9	3710256M1	6	Oil Seal	(1)
10	3711713M1	1	Ball	(1)
11	3756964M1	1	Gasket	Up to Serial or Engine Number 60998
	3606115M1	1	Gasket	From Serial or Engine Number 60999
12	3710536M1	14	Bolt	
13	3704377M1	2	Stud	Up to Serial or Engine Number 79026
	3607420M1	2	Stud	From Serial or Engine Number 79027

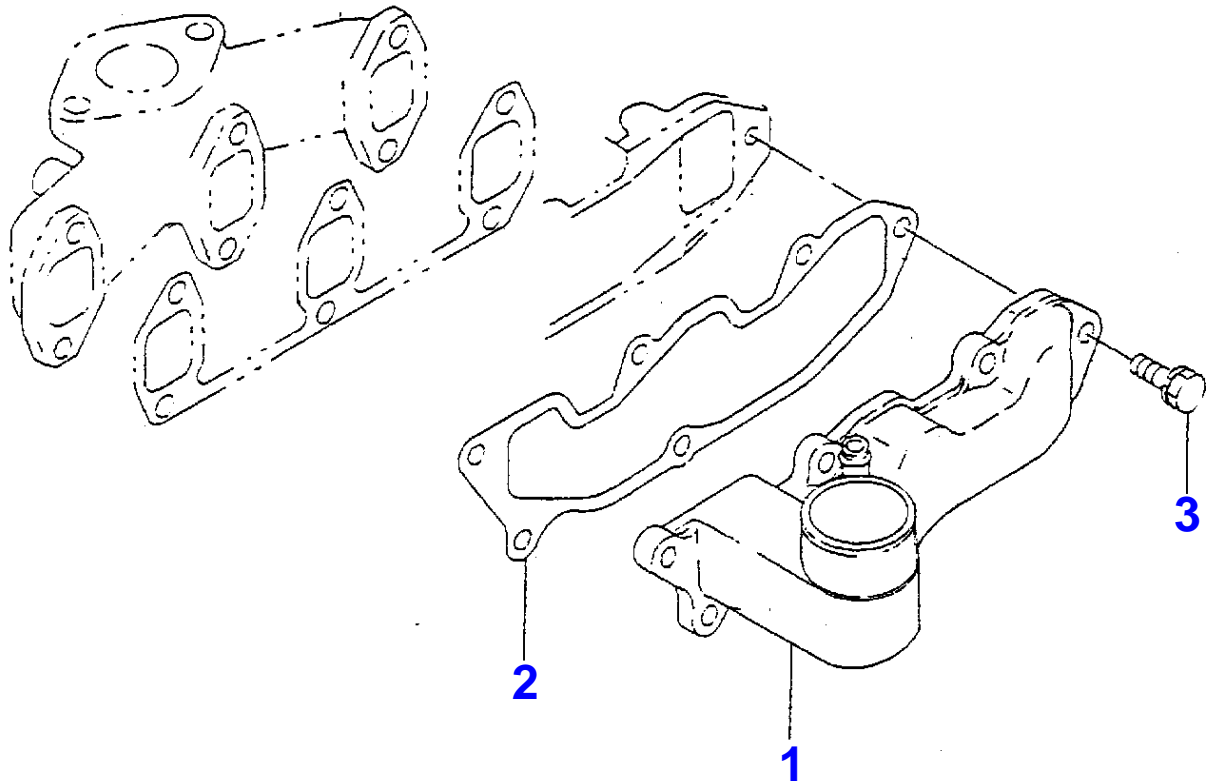
3-IS02-008-A



Cylinder Head Cover

Item	Part Number	Qty	Description	Comments
1	3710551M91	1	Cover	
2	3710554M1	1	Rubber	(1)
3	3710561M1	1	Cover	(1)
4	3710529M1	4	Screw	(1)
5	3710188M1	1	Cap	
6	3710553M1	1	Seal	
7	3710127M1	2	Nut	
8	3706564M1	2	Gasket	
9	3710539M1	1	Hose	

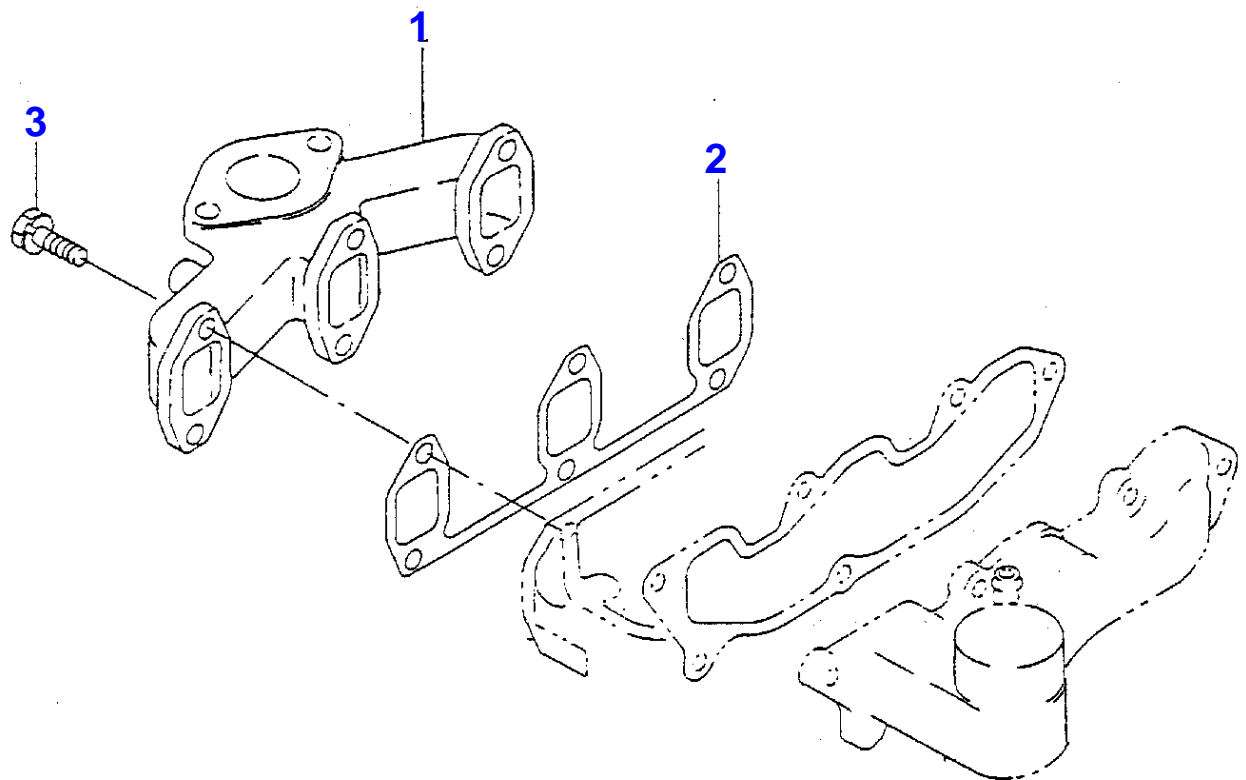
3-IS03-008-A



Inlet Manifold

Item	Part Number	Qty	Description
1	3710647M91	1	Manifold
2	3710649M1	1	Gasket
3	3702273M1	6	Bolt

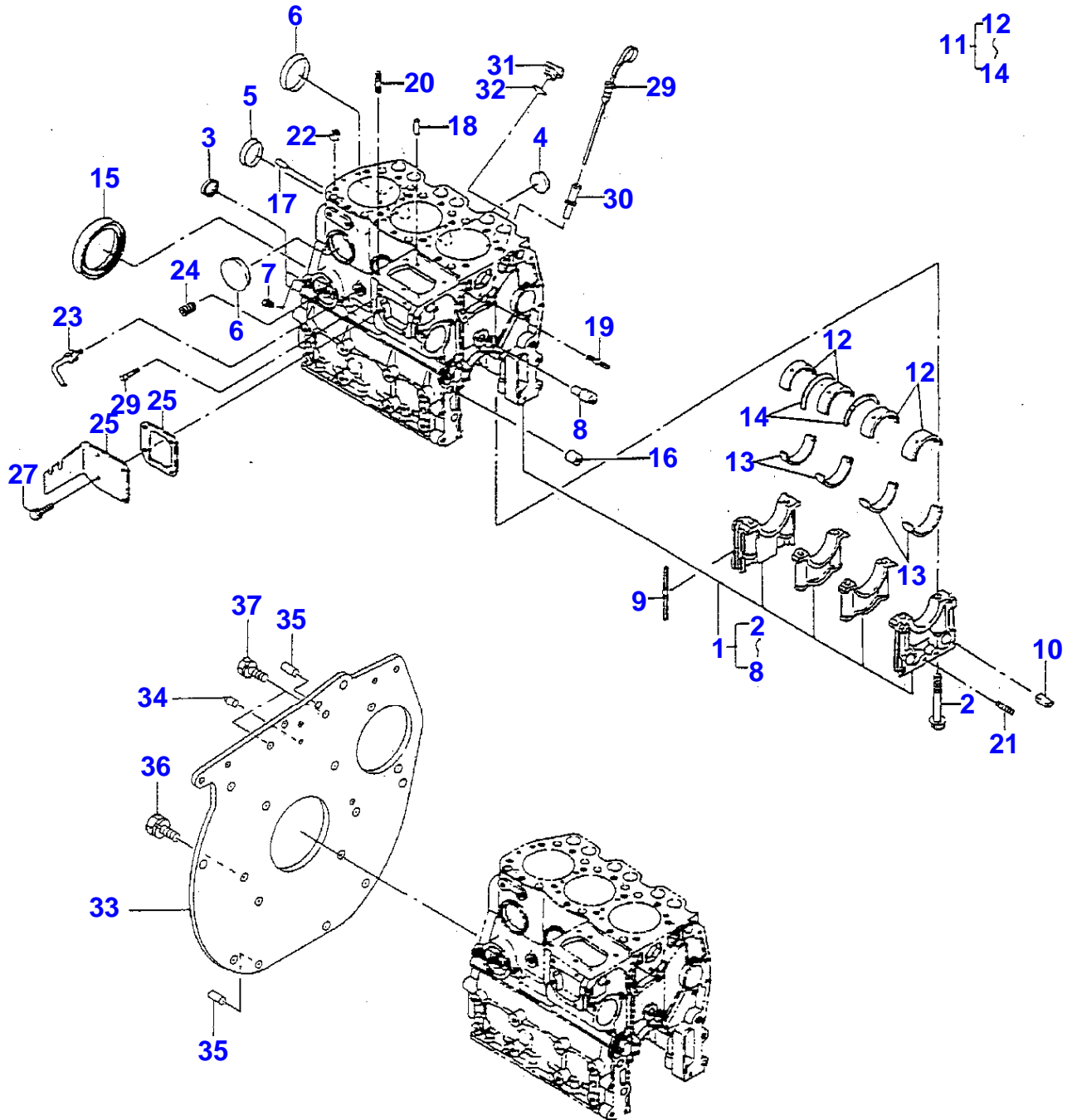
3-IS04-008-A



Exhaust Manifold

Item	Part Number	Qty	Description
1	3710651M1	1	Manifold
2	3710652M1	1	Gasket
3	3702273M1	6	Bolt

3-IS05-012-A

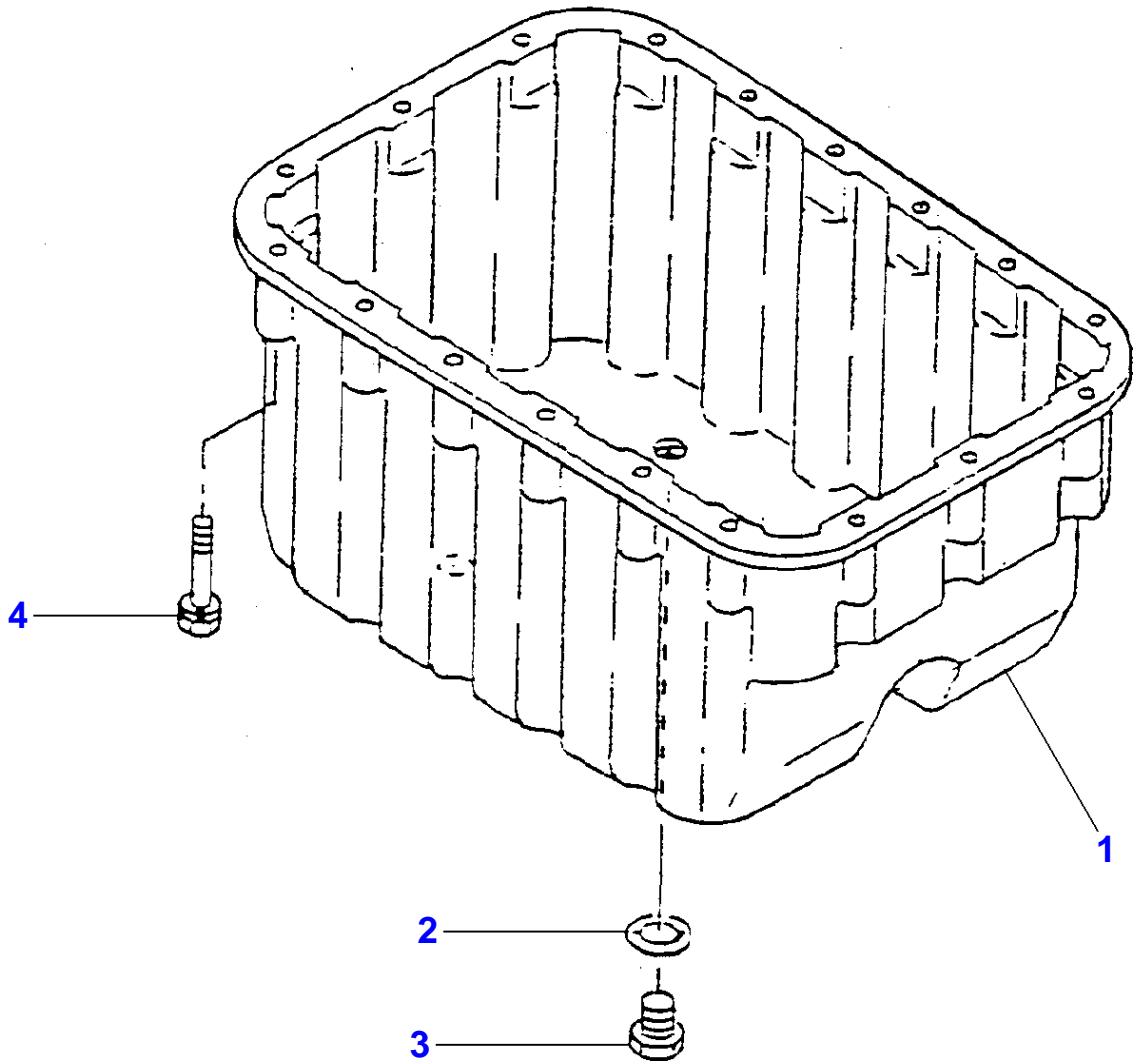


Cylinder Block

Item	Part Number	Qty	Description	Comments
1	3756971M96	1	Cylinder Block	
2	3710537M1	8	Bolt	(1)
3	3704390M1	2	Cup	(1)
4	3710130M1	2	Cap	(1)
5	3704396M1	1	Cup	(1)
6	3710542M1	3	Cup	(1)
7	3704257M1	8	Plug	(1)
8	3711695M3	1	Pin	(1)
9	3710160M1	4	Seal	
10	3710161M1	2	Seal	
11	3710571M91	1	Bearing	STANDARD
	3710574M91	X	Bearing	[A] Thickness (-)0.25MM
	3710577M91	X	Bearing	[A] Thickness (-)0.50MM
12	3710572M1	4	Bearing	(11)
13	3710573M1	4	Bearing	(11)
14	3710580M1	2	Bearing Thrust	(11)
15	3710544M2	1	Oil Seal	
16	3710137M2	2	Pin	
17	3710488M1	2	Pin	
18	3757960M1	2	Pin	
19	3706536M1	1	Stud	
20	3704353M1	3	Stud	
21	3754115M1	1	Bolt	
22	3758287M1	2	Dowel	
23	3754123M1	1	Pipe	
24	3710284M1	1	Connectors	
25	3756975M2	1	Cover	
26	3710163M1	1	Gasket	
27	3607531M1	4	Bolt	
28	3710411M1	1	Pin	
29	3756983M2	1	Oil Level Glass	
30	3756984M91	1	Guide	
31	3756982M1	1	Cap	
32	3756940M1	1	O Ring	
33	3756976M2	1	Plate	
34	3756977M1	1	Pointer	
35	3704359M1	2	Pin	
36	3710768M1	6	Bolt	
37	3704341M1	2	Bolt	Up to Serial or Engine Number 39891 M10x20
	3704342M1	2	Bolt	From Serial or Engine Number 39862 M10x25

FOOTNOTE [A] PRE-FINISHED

3-IS07-007-B



Buy Now



Our support email:

ebooklibonline@outlook.com