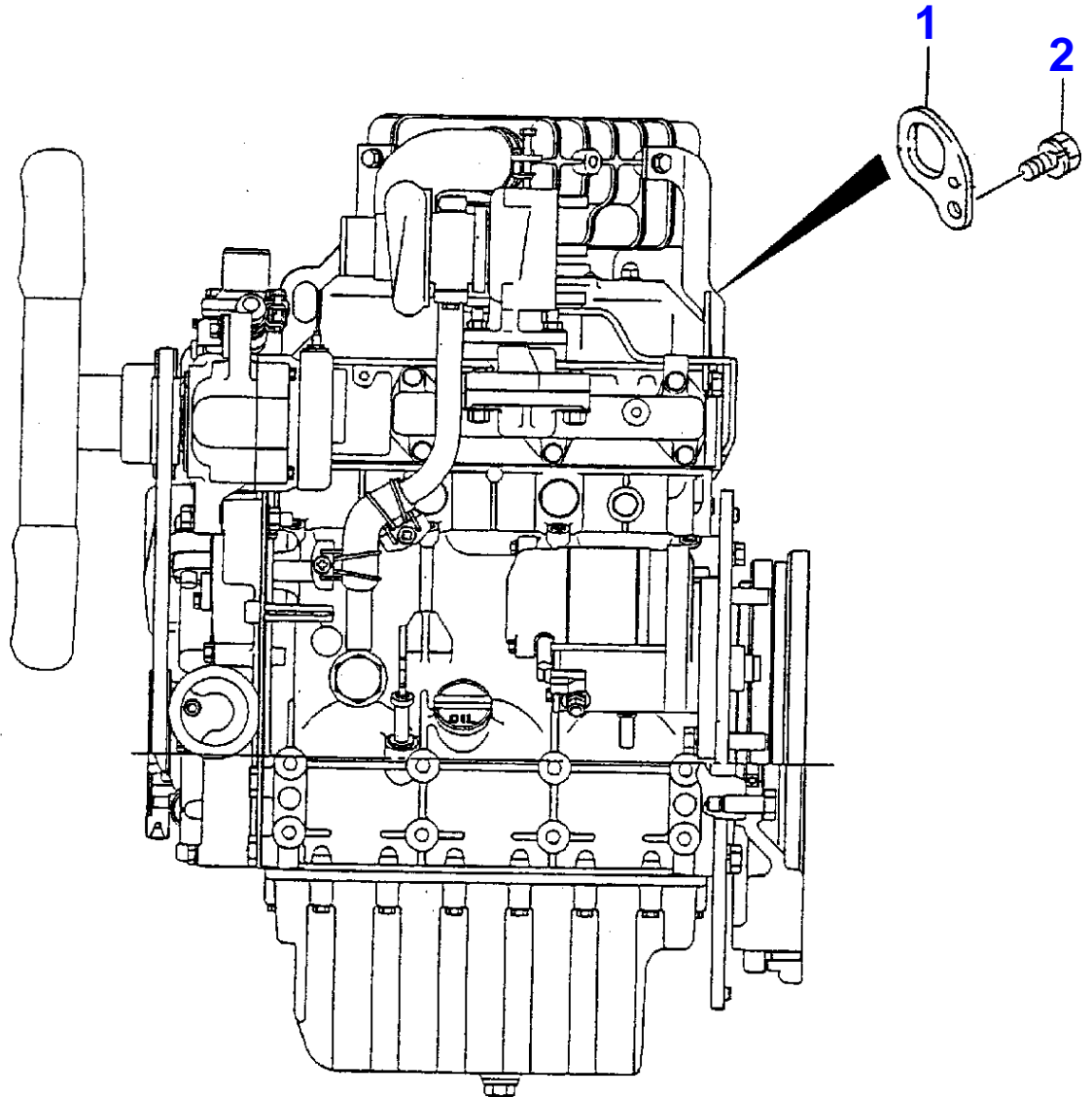


Page Title	Page Number
Hanger	010-0005
Cylinder Head	010-0010
Cylinder Head Cover	010-0015
Inlet Manifold	010-0020
Exhaust Manifold	010-0025
Cylinder Block	010-0030
Crankcase	010-0035
Turbocharger	010-0040
Timing Gear Housing	010-0045
Rocker Shaft And Valves	010-0050
Camshaft	010-0055
Piston	010-0060
Crankshaft	010-0065
Crankshaft - For Hydrostatic Transmission	010-0070
Lubrication	010-0075
Water Pump	010-0080
Fan	010-0085
Injection	010-0090
Injection	010-0095
Injection	010-0100
Injection Pump	010-0105
Injection Pump	010-0110
Fuel Pipes	010-0115

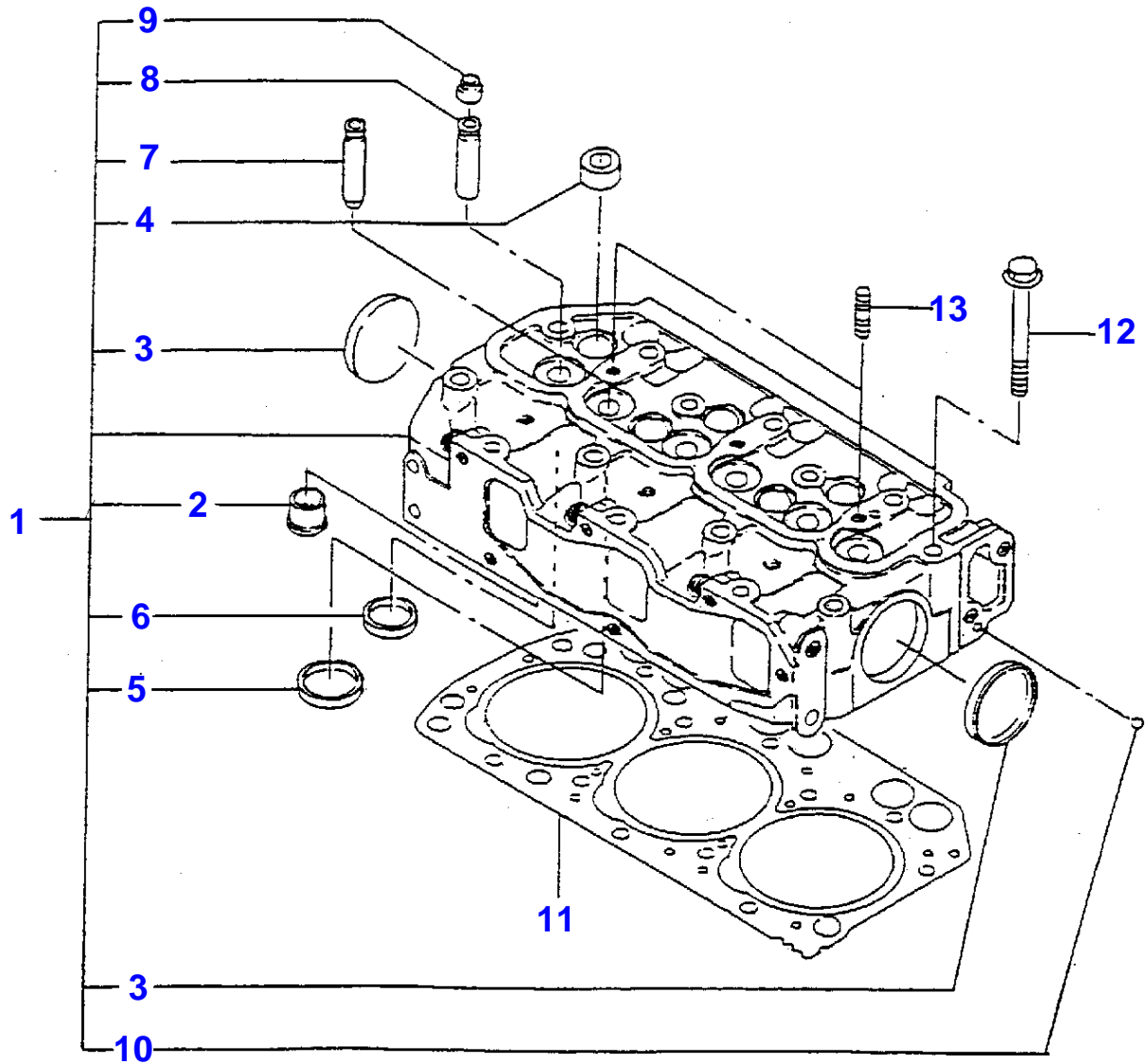
3-IS10-006-A



Hanger

Item	Part Number	Qty	Description
1	3710190M2	1	Hanger
2	3704341M1	1	Bolt

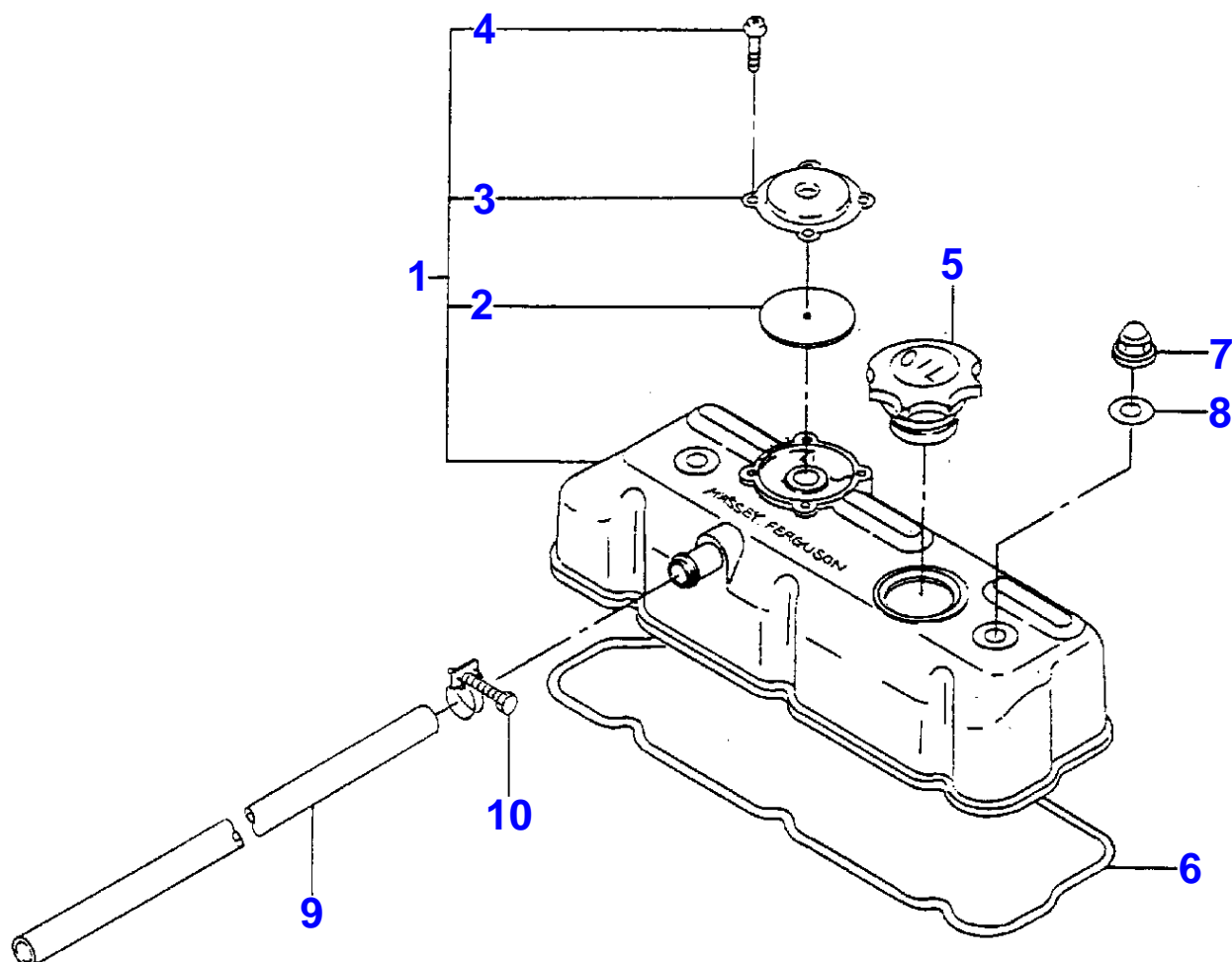
3-IS01-011-A



## Cylinder Head

Item	Part Number	Qty	Description	Comments
1	3756960M92	1	Cylinder Head	
2	3756965M91	3	Plug	(1)
3	3710542M1	2	Cup	(1)
4	3707877M2	5	Plug	(1)
5	3756981M1	3	Valve Seat	(1)
6	3756980M1	3	Valve Seat	(1)
7	3710581M1	3	Valve	(1)
8	3710582M1	3	Valve	(1)
9	<b>3710256M1</b>	6	Oil Seal	(1)
10	3711713M1	1	Ball	(1)
11	<b>3756964M1</b>	1	Gasket	UP TO SERIAL OR ENGINE NUMBER 60998
	3606115M1	1	Gasket	FROM SERIAL OR ENGINE NUMBER 60999
12	3710536M1	14	Bolt	
13	3704377M1	2	Stud	UP TO SERIAL OR ENGINE NUMBER 79075
	3607420M1	2	Stud	FROM SERIAL OR ENGINE NUMBER 79076

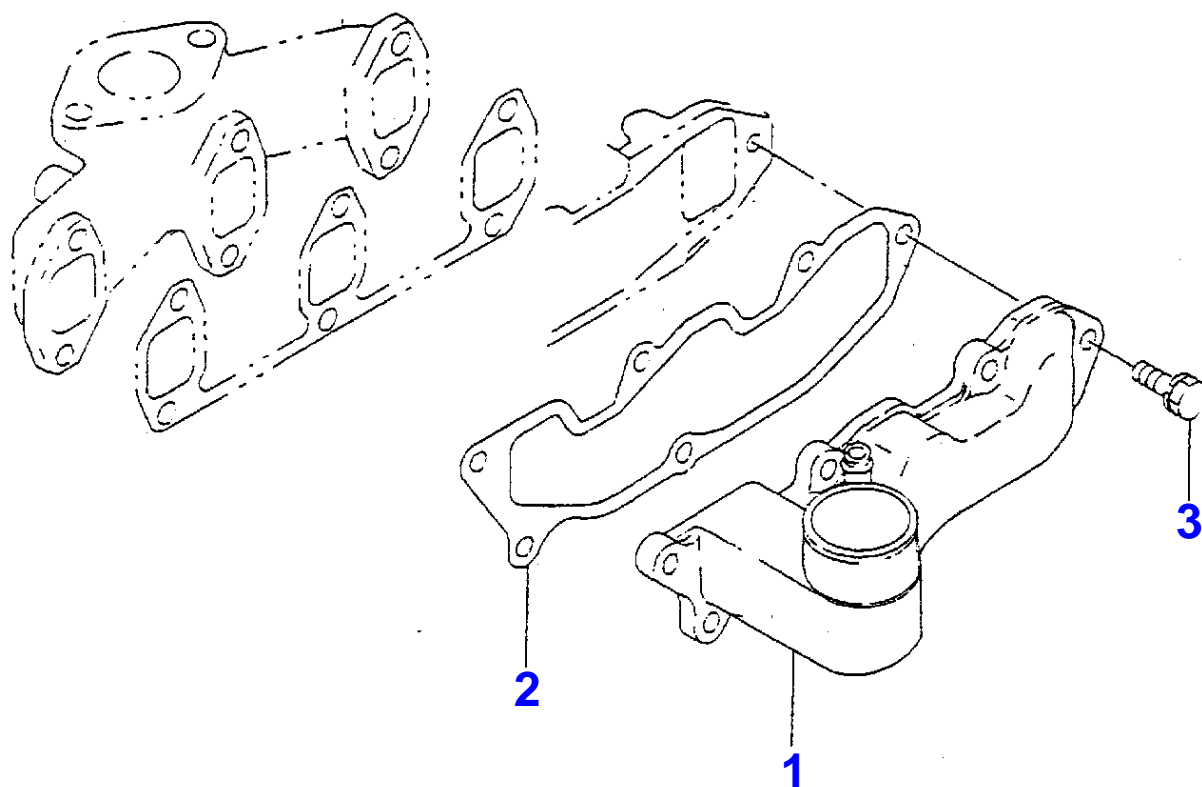
3-IS02-009-A



Cylinder Head Cover

Item	Part Number	Qty	Description	Comments
1	3710551M91	1	Cover	
2	3710554M1	1	Rubber	(1)
3	3710561M1	1	Cover	(1)
4	3710529M1	4	Screw	(1)
5	<b>3710188M1</b>	1	Cap	
6	<b>3710553M1</b>	1	Seal	
7	3710127M1	2	Nut	
8	<b>3706564M1</b>	2	Gasket	
9	3756951M2	1	Hose	
10	3756936M1	1	Clamp	

3-IS03-008-A





Massey Ferguson

MF 1260 COMPACT TRACTOR - |---> E60101 - HST / NON HST - 1637323

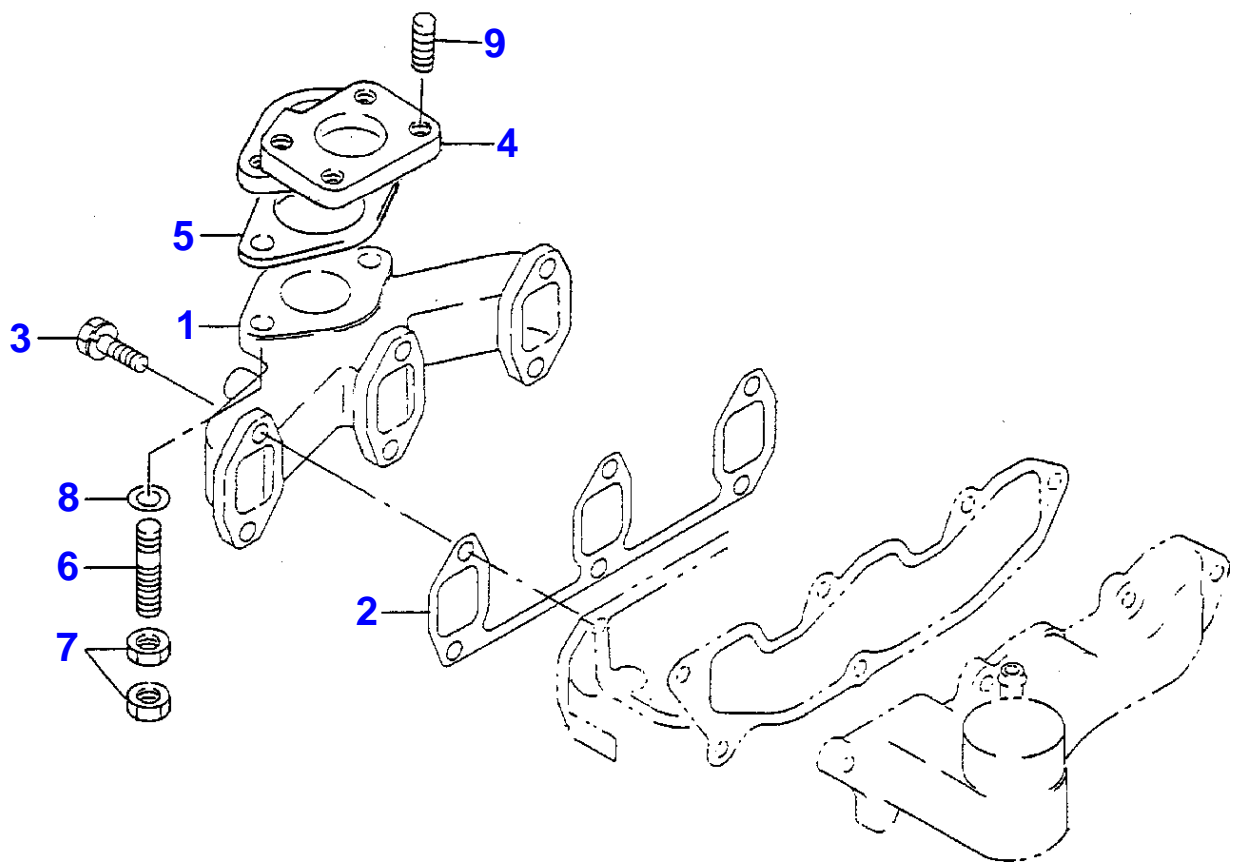
1637323

Inlet Manifold

Page010-0020

Item	Part Number	Qty	Description
1	3757060M1	1	Manifold
2	<b>3710649M1</b>	1	Gasket
3	3702273M1	6	Bolt

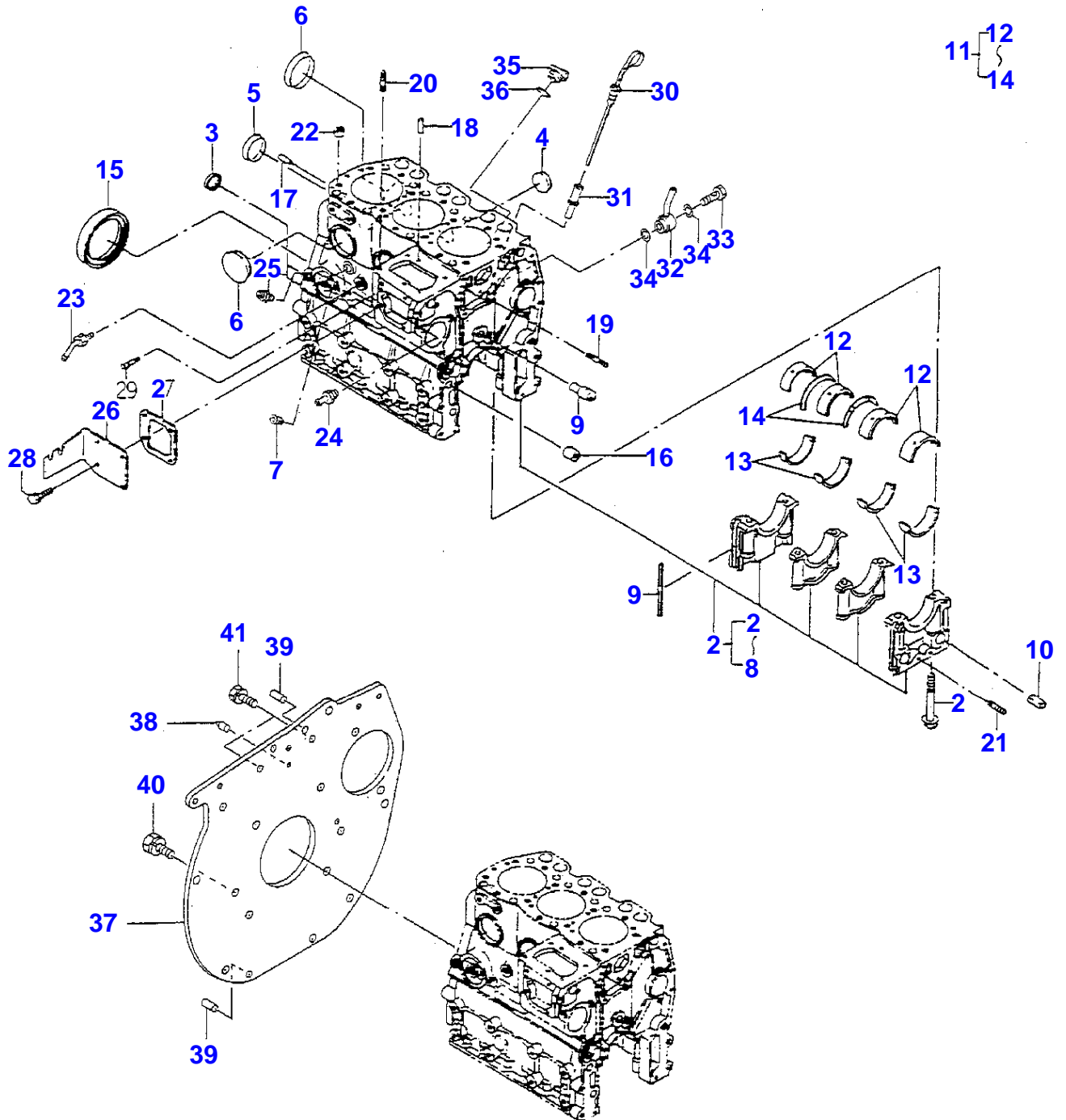
3-IS04-009-A



Exhaust Manifold

Item	Part Number	Qty	Description
1	3710651M1	1	Manifold
2	<b>3710652M1</b>	1	Gasket
3	3702273M1	6	Bolt
4	3757092M1	1	Pipe,Exhaust
5	<b>3703724M1</b>	1	Gasket
6	3756944M1	2	Stud
7	3756952M1	4	Nut
8	3756939M1	2	Washer
9	3704753M1	4	Stud

3-IS05-013-A

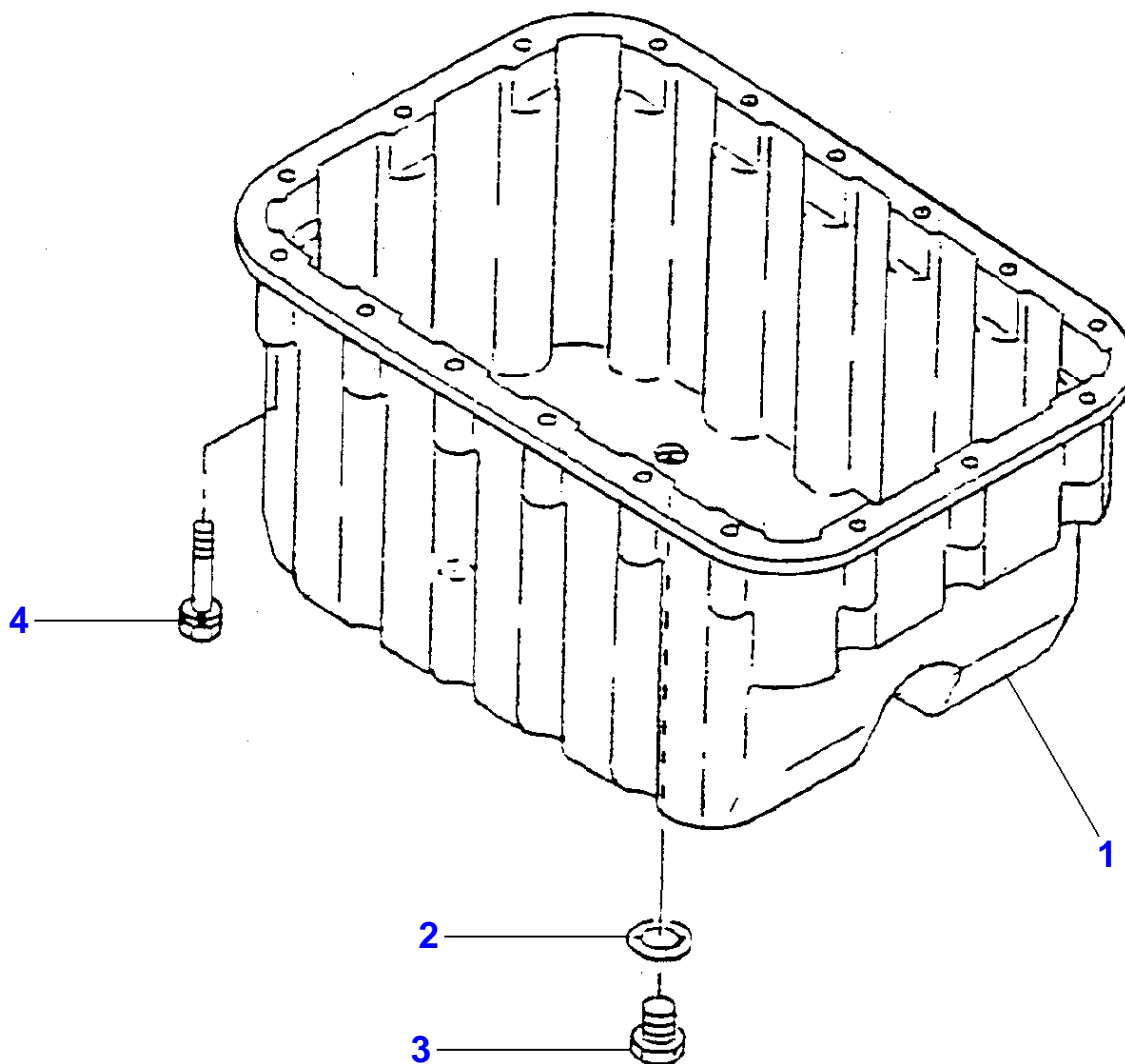


## Cylinder Block

Item	Part Number	Qty	Description	Comments
1	3756970M96	1	Cylinder Block	
2	3710537M1	8	Bolt	(1)
3	3704390M1	2	Cup	(1)
4	3710130M1	2	Cap	(1)
5	3704396M1	1	Cup	(1)
6	3710542M1	3	Cup	(1)
7	3704257M1	8	Plug	(1)
8	3711695M3	1	Pin	(1)
9	<b>3710160M1</b>	4	Seal	
10	<b>3710161M1</b>	2	Seal	
11	<b>3710571M91</b>	1	Bearing	STANDARD
	3710574M91	X	Bearing	[A] THICKNESS (-)0.25MM
	3710577M91	X	Bearing	[A] THICKNESS (-)0.50MM
12	<b>3710572M1</b>	4	Bearing	(11)
13	<b>3710573M1</b>	4	Bearing	(11)
14	<b>3710580M1</b>	2	Bearing Thrust	(11)
15	<b>3710544M2</b>	1	Oil Seal	
16	3710137M2	2	Pin	
17	3710488M1	2	Pin	
18	3757960M1	2	Pin	
19	3706536M1	1	Stud	
20	3704353M1	3	Stud	
21	3754115M1	1	Bolt	
22	3758287M1	2	Dowel	
23	3754123M1	1	Pipe	
24	3757056M1	1	Pipe,Water	
25	3704382M1	1	Nipple	
26	3756975M2	1	Cover	
27	<b>3710163M1</b>	4	Gasket	
28	3607531M1	1	Bolt	
29	3710411M1	1	Pin	
30	3756983M2	1	Oil Level Glass	
31	<b>3756984M91</b>	1	Guide	
32	3757043M91	1	Connector	
33	3756943M1	1	Bolt	
34	3757044M1	2	Gasket	
35	3756982M1	1	Cap	
36	3756940M1	1	O Ring	
37	3756976M2	1	Plate	
38	3756977M1	1	Pointer	
39	3704959M1	2	Ring	
40	3710768M1	6	Bolt	
41	3704341M1	2	Bolt	UP TO SERIAL OR ENGINE NUMBER 39891
	3704342M1	2	Bolt	FROM SERIAL OR ENGINE NUMBER 39892

FOOTNOTE [A] PRE-FINISHED

3-IS07-007-B



**Buy Now**



Our support email:

[ebooklibonline@outlook.com](mailto:ebooklibonline@outlook.com)