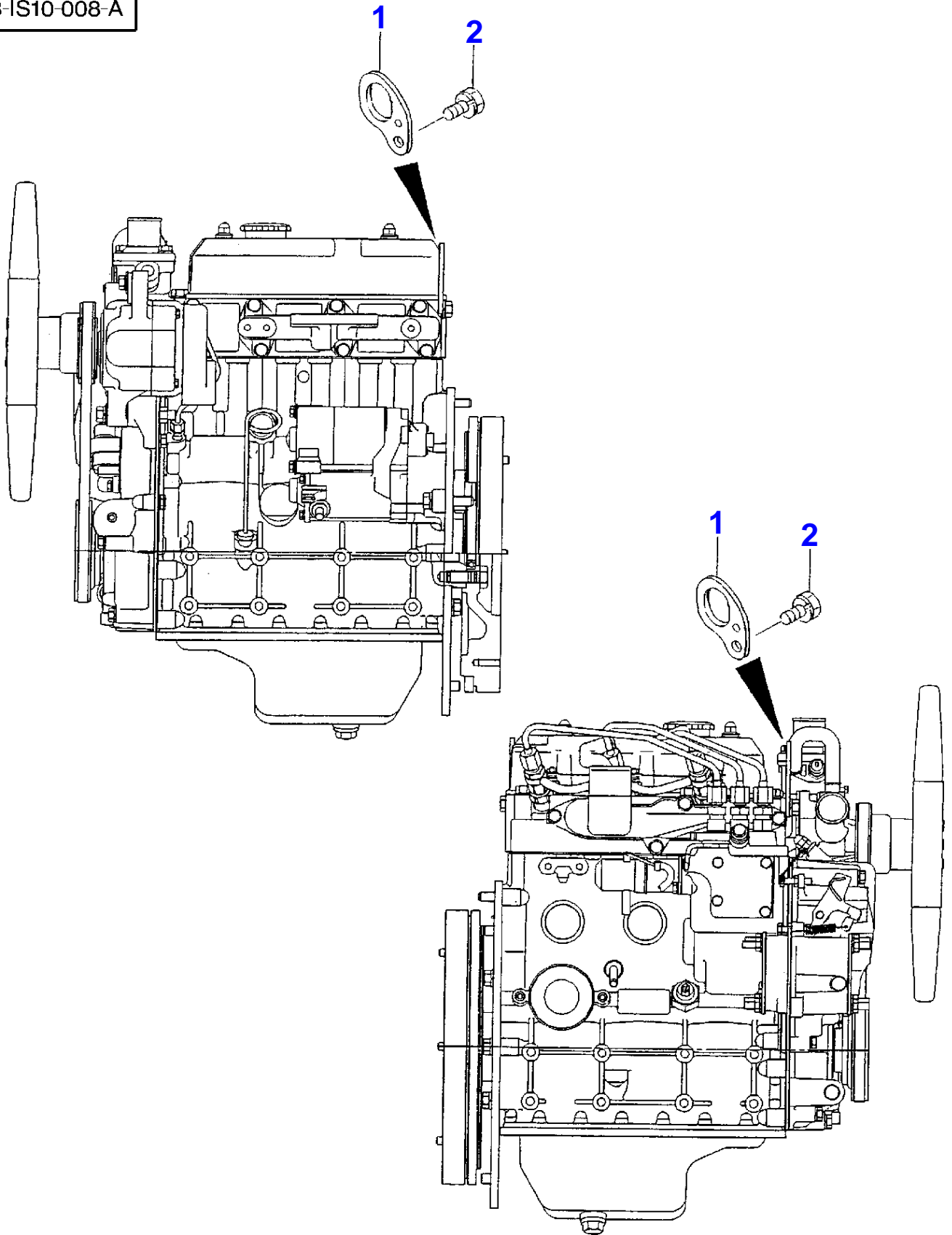


Page Title	Page Number
Hanger	010-0005
Cylinder Head	010-0010
Cylinder Head Cover	010-0015
Inlet Manifold	010-0020
Exhaust Manifold	010-0025
Cylinder Block	010-0030
Cylinder Block	010-0035
Cylinder Block - Rear Plate	010-0040
Crankcase	010-0045
Timing Gear Housing - UP TO 173599	010-0050
Timing Gear Housing - FROM 173600	010-0055
Rocker Shaft And Valves	010-0060
Camshaft	010-0065
Piston	010-0070
Crankshaft	010-0075
Lubrication	010-0080
Water Pump	010-0085
Fan	010-0090
Injection	010-0095
Injection	010-0100
Injection Pump	010-0105
Injection Pump	010-0110
Fuel Pipes	010-0115
Repair Kit	010-0120

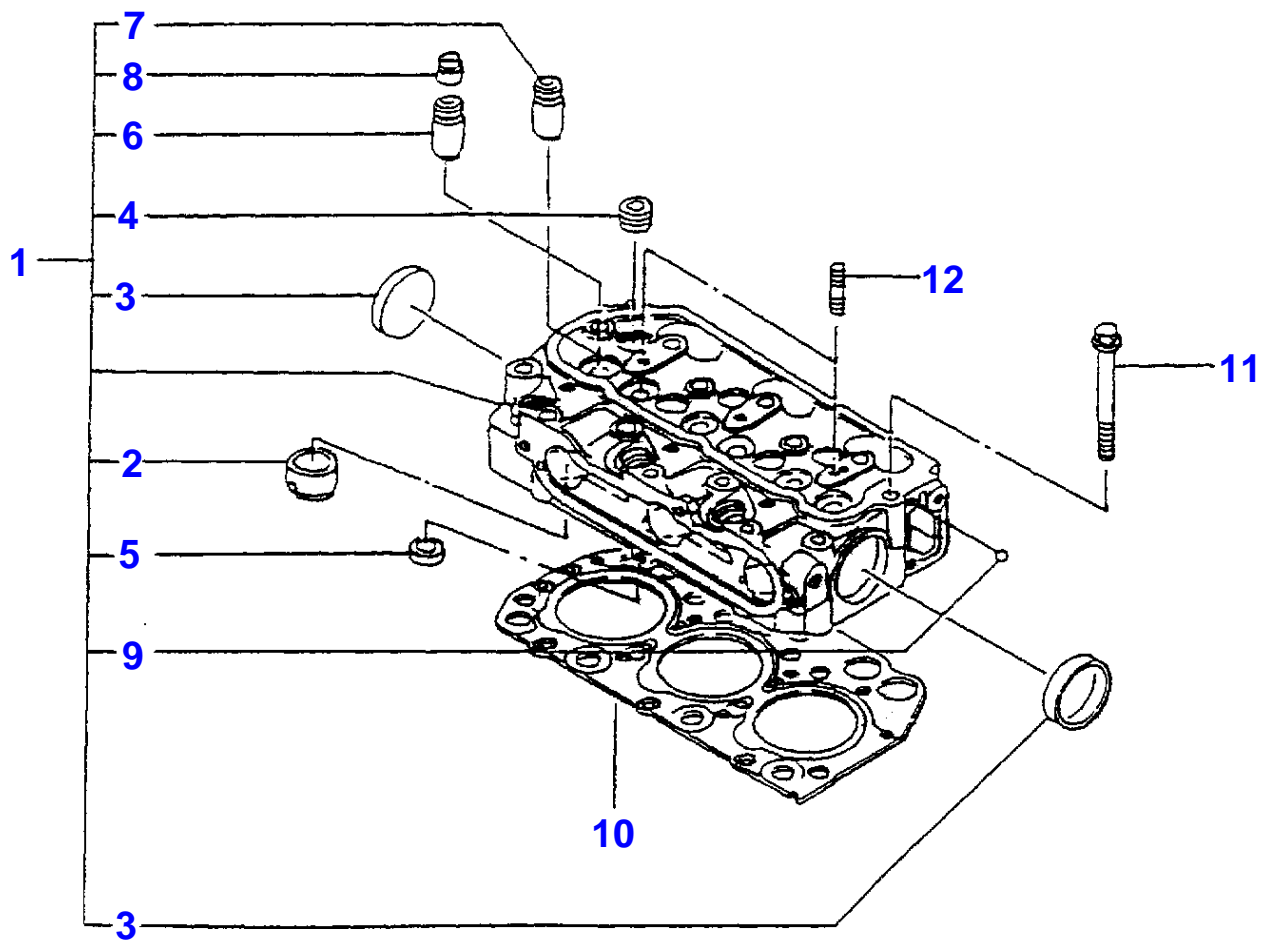
3-IS10-008-A



Hanger

Item	Part Number	Qty	Description
1	3710190M2	2	Hanger
2	3704341M1	2	Bolt

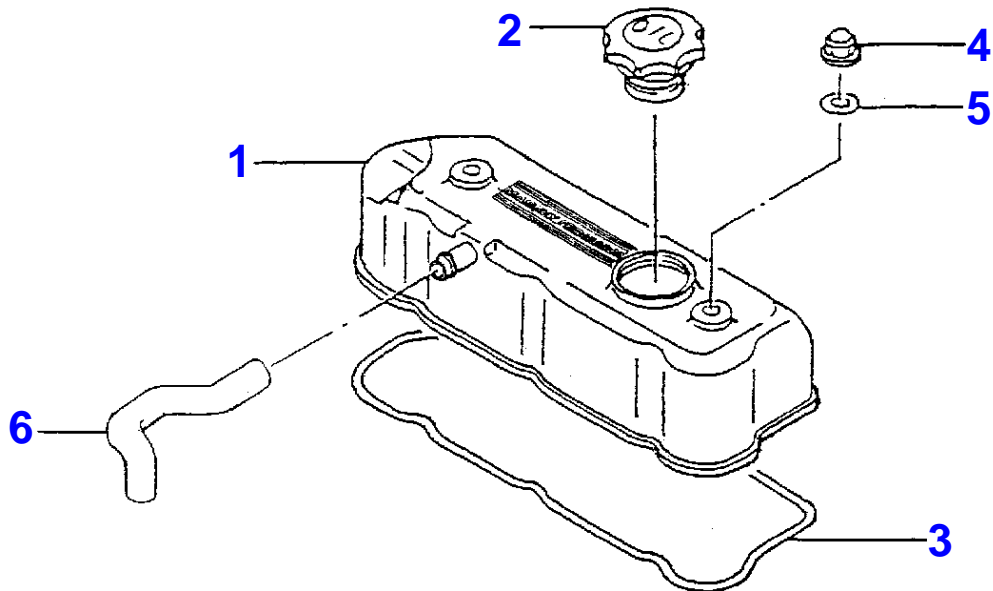
3-IS01-012-A



## Cylinder Head

Item	Part Number	Qty	Description	Comments
1	3757822M91	1	Cylinder Head	UP TO SERIAL OR ENGINE NUMBER 152896
	3605683M91	1	Cylinder Head	FROM SERIAL OR ENGINE NUMBER 152897
2	3757824M91	3	Plug	(1)
3	3704389M1	2	Cup	(1)
4	3707877M2	5	Plug	(1)
5	3710185M1	3	Seat	(1)
6	3710186M1	3	Valve	(1)
7	3710187M1	3	Valve	(1)
8	<b>3710256M1</b>	6	Oil Seal	(1)
9	3711713M1	1	Ball	(1)
10	<b>3710143M2</b>	1	Gasket	
11	3710109M1	14	Bolt	
12	3704377M1	2	Stud	UP TO SERIAL OR ENGINE NUMBER 171371
	3607420M1	2	Stud	FROM SERIAL OR ENGINE NUMBER 171372

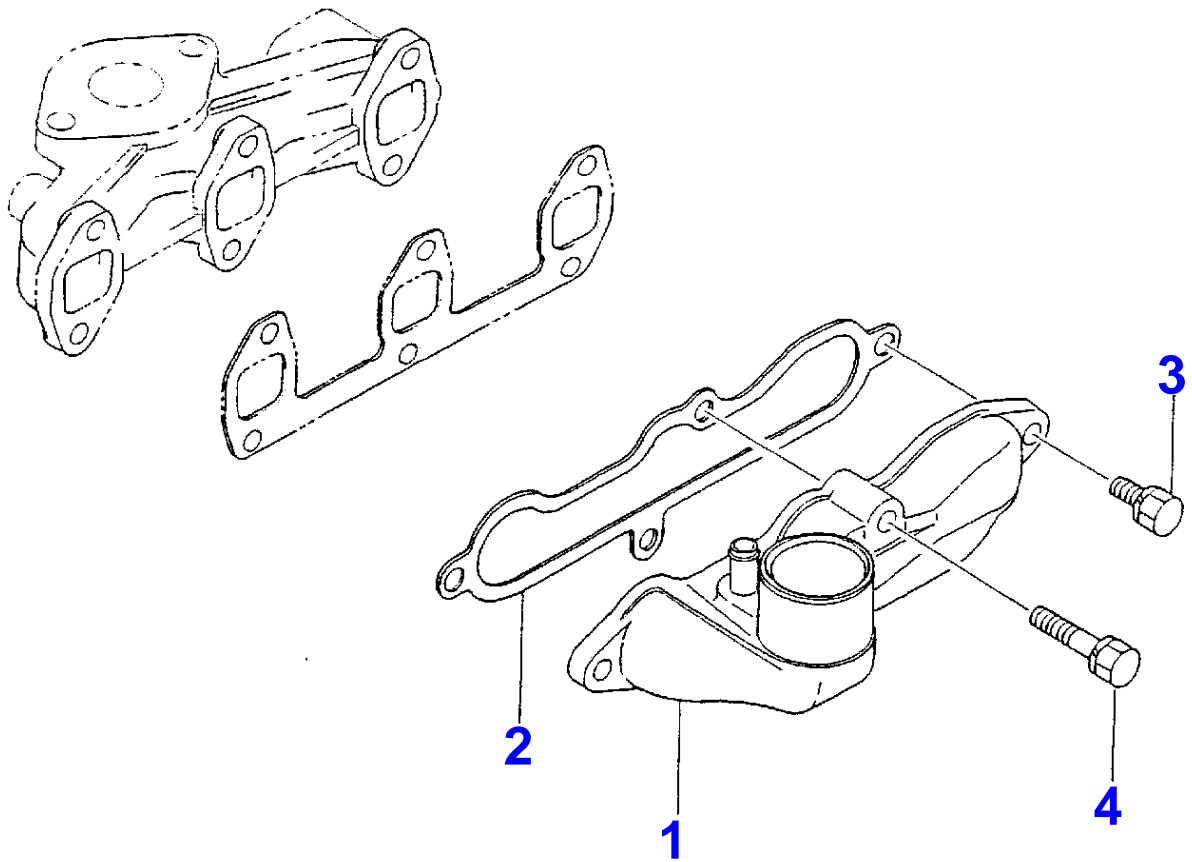
3-IS02-010-A



Cylinder Head Cover

Item	Part Number	Qty	Description
1	3710149M91	1	Cover
2	<b>3710188M1</b>	1	Cap
3	<b>3710151M1</b>	1	Seal
4	3710127M1	2	Nut
5	<b>3706564M1</b>	2	Gasket
6	<b>3710124M1</b>	1	Hose

3-IS03-009-A

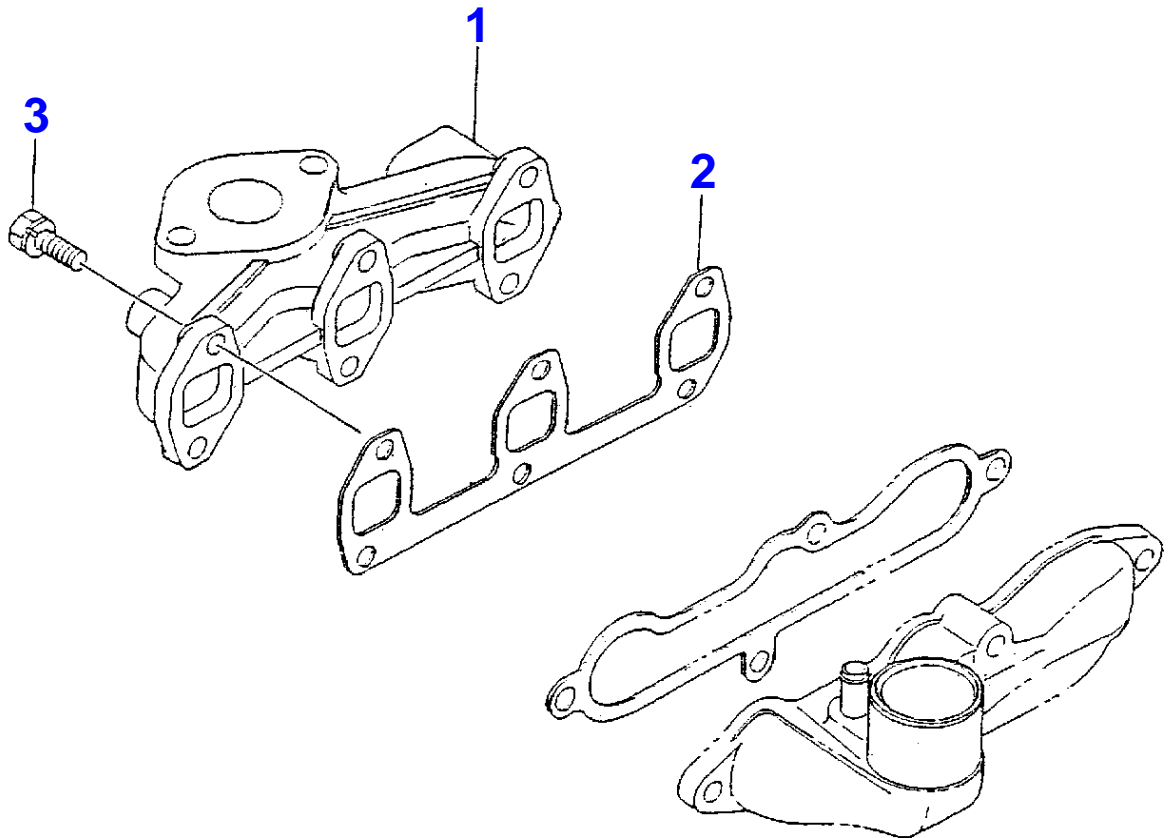




Inlet Manifold

Item	Part Number	Qty	Description
1	3710307M91	1	Manifold
2	<b>3710309M1</b>	1	Gasket
3	3702272M1	3	Bolt
4	3710481M1	1	Bolt

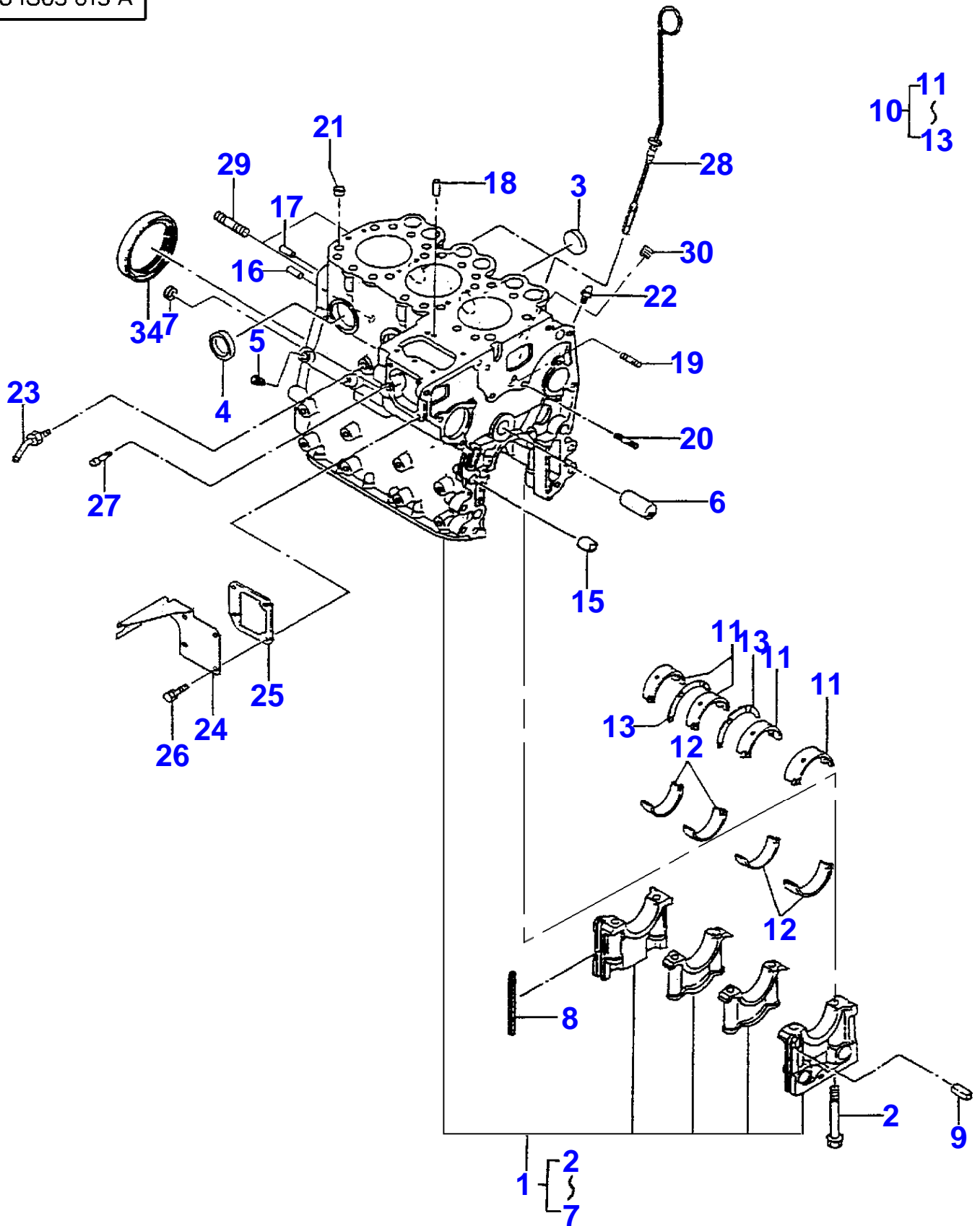
3-IS04-011-A



Exhaust Manifold

Item	Part Number	Qty	Description
1	3710311M1	1	Manifold
2	<b>3710312M1</b>	1	Gasket
3	3702273M1	6	Bolt

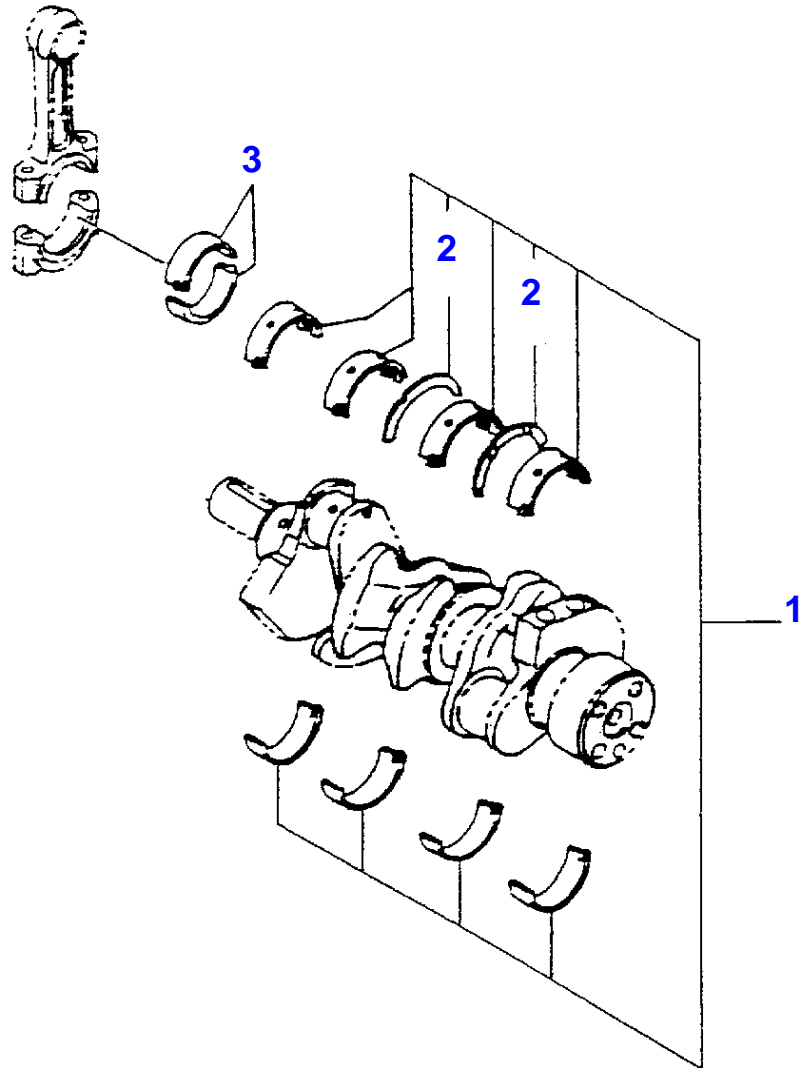
3-IS05-015-A



## Cylinder Block

Item	Part Number	Qty	Description	Comments
1	3757826M92	1	Cylinder Block	
2	3710110M2	8	Bolt	
3	3710130M1	2	Cap	
4	3704396M1	4	Cup	
5	3704257M1	3	Plug	
6	3710247M2	1	Pin	
7	3704392M1	1	Cup	
8	<b>3710160M1</b>	4	Seal	
9	<b>3710161M1</b>	2	Seal	
10	3710175M91	1	Bearing	
11	<b>3711637M1</b>	4	Bearing	
12	<b>3711638M1</b>	4	Bearing	
13	<b>3710184M1</b>	2	Bearing Thrust	
14	<b>3710132M1</b>	1	Oil Seal	UP TO SERIAL OR ENGINE NUMBER 186683
	4260024M1	1	Oil Seal	FROM SERIAL OR ENGINE NUMBER 186684
15	3710137M2	2	Pin	
16	3710488M1	1	Pin	
17	3757812M1	1	Pin	UP TO SERIAL OR ENGINE NUMBER 139797
	3758106M1	1	Pin	FROM SERIAL OR ENGINE NUMBER 139798
18	3757909M1	2	Pin	
19	3704806M1	1	Stud	
20	3706536M1	1	Stud	
21	3704326M1	2	Plug	UP TO SERIAL OR ENGINE NUMBER 126227
	3758287M1	2	Dowel	FROM SERIAL OR ENGINE NUMBER 126228
22	3704382M1	1	Nipple	
23	3754123M1	1	Pipe	
24	3757828M1	1	Cover	
25	<b>3710163M1</b>	1	Gasket	
26	3757094M1	4	Bolt	UP TO SERIAL OR ENGINE NUMBER 175901
	3607531M1	4	Bolt	FROM SERIAL OR ENGINE NUMBER 175902
27	3757871M1	1	Pin	
28	<b>3710189M2</b>	1	Gauge	
29	3757943M1	2	Stud	
30	3711692M2	1	Plug	

3-IS05-016-A



**Buy Now**



Our support email:

[ebooklibonline@outlook.com](mailto:ebooklibonline@outlook.com)