

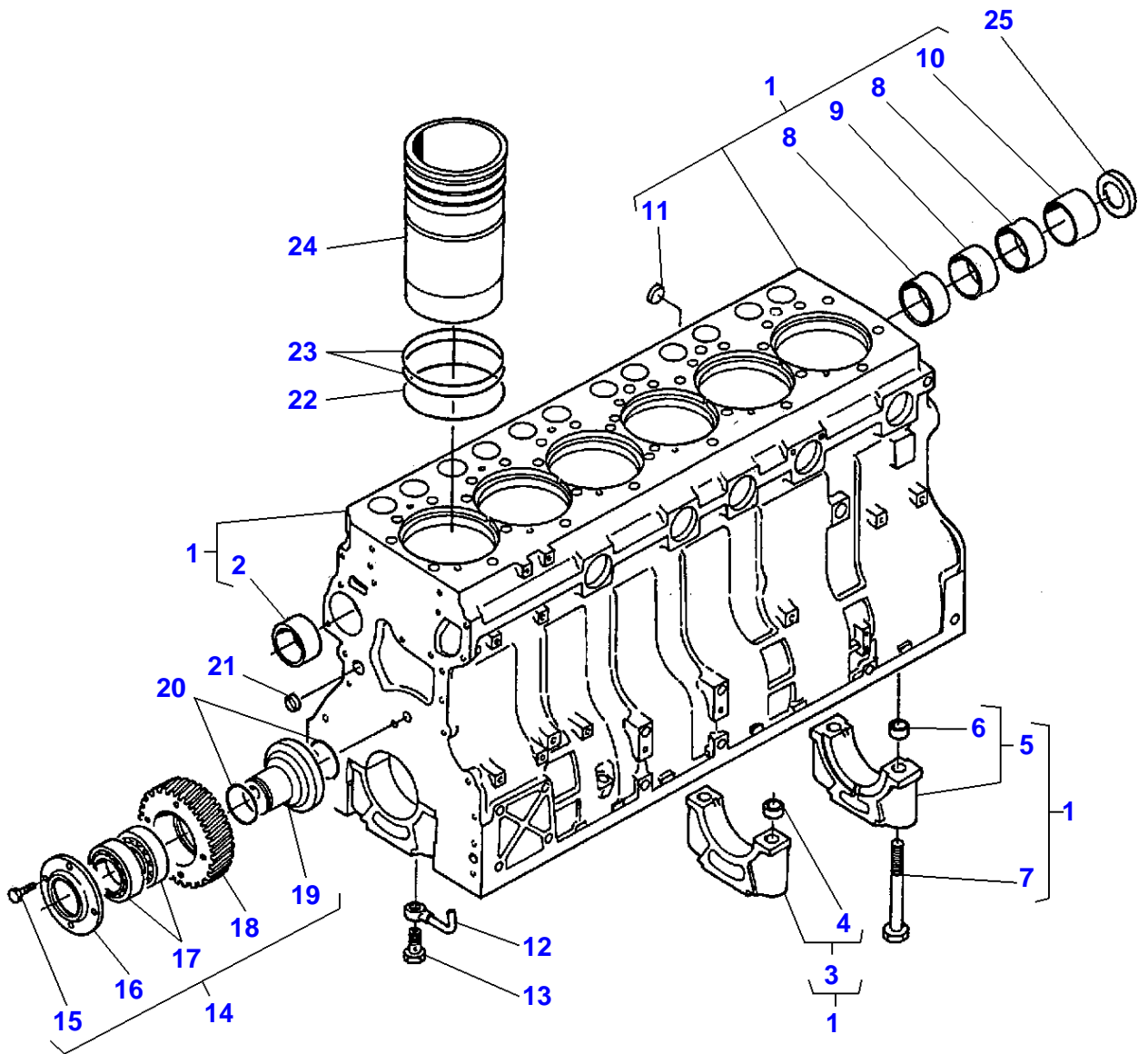
Page Title	Page Number
Engine And Equipment	010-0005
Alternator And Bracket - Up to Serial or Engine Number - K257027	010-0010
Alternator And Bracket - From Serial or Engine Number - K257028	010-0015
Alternator - Valeo - Up to Serial or Engine Number - K257027	010-0020
Alternator - ISKRA - From Serial or Engine Number - K257028	010-0025
Starter - Magneti Marelli - Up to Serial or Engine Number - K071001	010-0030
Starter - ISKRA - From Serial or Engine Number - K071002	010-0035
Cylinder Block	010-0040
Cylinder Block Equipment	010-0045
Timing Gear Housing	010-0050
Flywheel Housing	010-0055
Crankshaft, Pistons And Connecting Rods	010-0060
Valve Mechanism And Camshaft	010-0065
Cylinder Head	010-0070
Cylinder Head Cover	010-0075
Thermostat	010-0080
Lubricating Oil Sump	010-0085
Lubricating Oil Pump	010-0090
Lubricating Oil Cooler And Filter	010-0095
Drive Shaft - Fan Engine - M.F 8270 - 8280	010-0100
Drive Shaft - Fan Engine - M.F 8270 XTRA - 8280 XTRA	010-0105
Water Pump - M.F 8270 - 8280	010-0110
Water Pump - M.F 8270 XTRA - 8280 XTRA	010-0115
Injection Pump	010-0120
Fuel Injection Equipment (Diesel)	010-0125
Injector - M.F 8270 - 8280	010-0130
Injector - M.F 8270 XTRA - 8280 XTRA	010-0135
Feed Pump - M.F 8270 - 8280	010-0140
Feed Pump - M.F 8270 XTRA - 8280 XTRA	010-0145
Stop Magnet - Up to Serial or Engine Number - K 12633	010-0150
Stop Magnet - From Serial or Engine Number - K 12634	010-0155
Low Pressure Fuel System	010-0160
Air Induction And Exhaust System - M.F 8270 - 8280	010-0165
Air Induction And Exhaust System - M.F 8270 XTRA - 8280 XTRA	010-0170
Turbocharger - Pipes - M.F 8270 - 8280	010-0175
Turbocharger - Pipes - M.F 8270 XTRA - 8280 XTRA	010-0180
Cold Starting Device - M.F 8270 - 8280	010-0185
Belt Tensioner	010-0190
Engine Repair Kits - Piston- Cylinder Head With Valves	010-0195
Engine Gaskets Sets	010-0200
Heater Engine Block - Up to Serial or Engine Number - L155012	010-0205
Heater Engine Block - From Serial or Engine Number - L155013	010-0210
Heater Engine Block	010-0215
Battery & Cables	010-0220
Battery & Cables - With Battery Cut-Off	010-0225
Cooling System - Air Conditioned Installation - M.F 8270 - 8280	010-0230
Cooling System - Air Conditioned Installation - M.F 8270 XTRA - 8280 XTRA	010-0235
Sanden Compressor	010-0240
Cooling System - Engine - M.F 8270 - 8280	010-0245
Cooling System - Engine - M.F 8270 XTRA - 8280 XTRA	010-0250
Cooling System - Engine - M.F 8270 - 8280 - Up To N190017	010-0255
Cooling System - Engine - M.F 8270 - 8280 - From N190018	010-0260
Cooling System - Engine - M.F 8270 XTRA - 8280 XTRA - Up To N190017	010-0265
Cooling System - Engine - M.F 8270 XTRA - 8280 XTRA - From N190018	010-0270

## Engine

Page010-0000

Cooling System - Engine - M.F 8270 XTRA - 8280 XTRA	010-0275
Cab Heating System - Engine Part	010-0280
Fuel System - Fuel Tank And Attachments	010-0285
Fuel System - Fuel Tank And Attachments	010-0290
Fuel System - Fuel Tank And Attachments	010-0295
Fuel System - Fuel Filters And Pipes - WITHOUT FUEL FLOWMETER	010-0300
Fuel System - Fuel Filters And Pipes - With Flow Fuel	010-0305
Sedimenter	010-0310
Air Filter - Dry - Dual Element - M.F 8270 - 8280	010-0315
Air Filter - Dry - Dual Element - M.F 8270 - 8280	010-0320
Air Filter - Dry - Dual Element - M.F 8270 XTRA - 8280 XTRA	010-0325
Air Filter - Dry - Dual Element - M.F 8270 XTRA - 8280 XTRA	010-0330
Vertical Exhaust On The Side - M.F 8270 - 8280	010-0335
Vertical Exhaust On The Side - M.F 8270 XTRA - 8280 XTRA	010-0340
Throttle Controls	010-0345
Throttle Controls - Up To J116025 M.F 8270 / J083023 M.F 8280	010-0350
Throttle Controls - From No J116026 M F 8270 / J083024 M F 8280	010-0355
Throttle Controls - Up to Serial or Engine Number - J110124	010-0360
Throttle Controls - From Serial or Engine Number - J110125	010-0365

1-ZH01-005-A

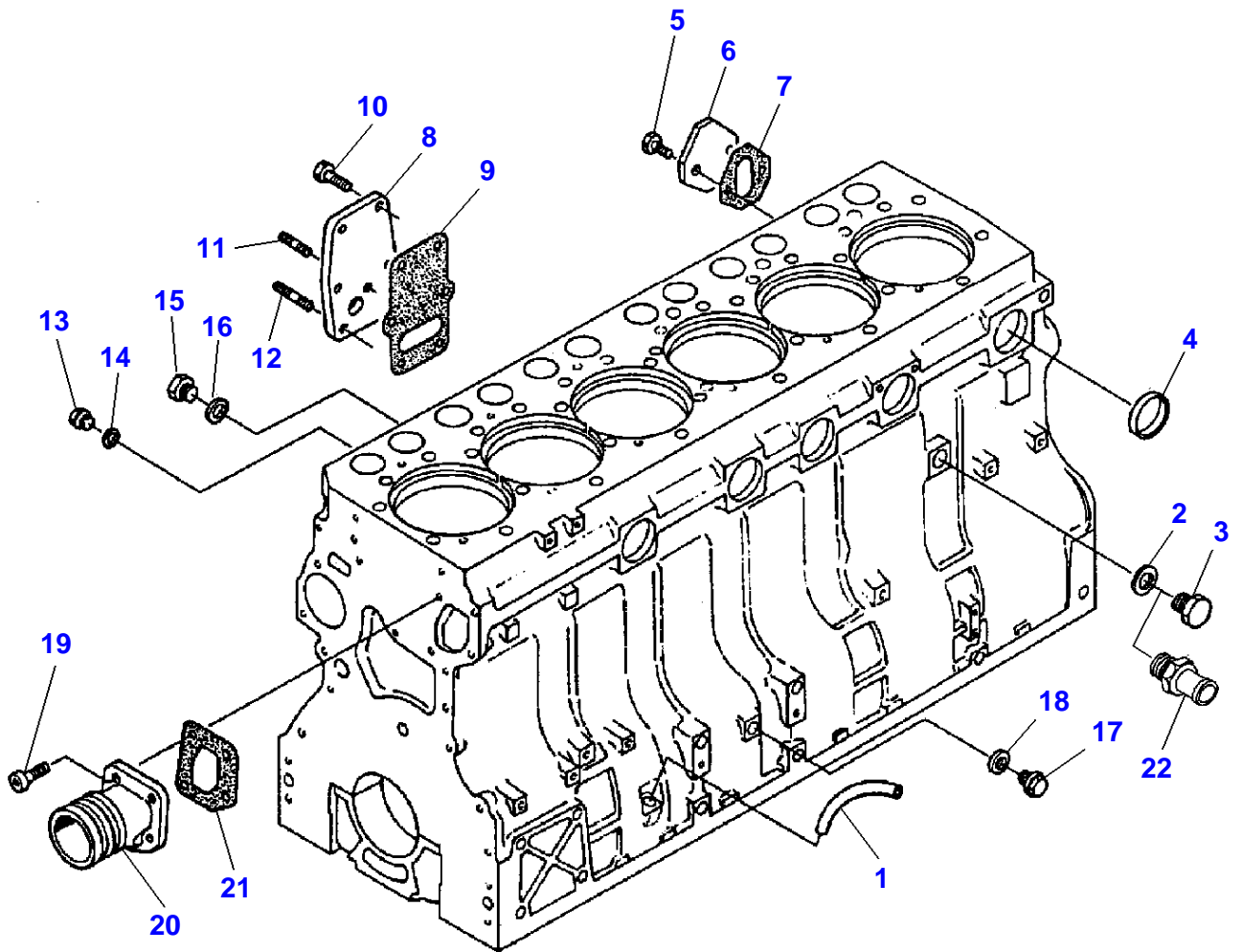


## Cylinder Block

Item	Part Number	Qty	Description	Comments
1	V836859155	1	Cylinder Block	MF 8270-8280
	V836866592	1	Cylinder Block	MF 8270 XTRA MF 8280 XTRA
2	V836322610	1	Bush	(1) MF 8270-8280
	V836866069	X	Bush	(1) MF 8270 XTRA MF 8280 XTRA Diameter +0,4 MM
3		6	Bearing Carrier	[A] (1)
4	V836214478	2	Bush	(3)
5		1	Bearing Carrier	[A] (1)
6	V836214478	2	Bush	(5)
7	V529903180	14	Screw	(1)
8	V836852460	2	Bush	(1)
	V836852466	X	Bush	Diameter +0,2 MM
9	V836852459	1	Bush	(1)
10	V836852461	1	Bush	(1)
	V836852467	X	Bush	Diameter +0,2 MM
11	V640016018	1	Plug	(1)
12	V836846231	6	Pipe	
13	V836338601	6	Valve	
14	V836859165	1	Gear	
15	V528801380	4	Screw	(14) M8 X 20
16	V836859164	1	Flange	(14)
17	V610071079	2	Ball Bearing	(14)
18	V836859163	1	Gear	(14)
19	V836859162	1	Shaft	(14)
20	V614603024	2	O Ring	
21	V640016016	4	Plug	
22	V836855447	6	O Ring	
23	V836855446	12	O Ring	
24	V836855445	6	Liner	STD
	V836859581	X	Liner	Thickness 9,08 MM
	V836859582	X	Liner	Thickness 9,13 MM
	V836859583	X	Liner	Thickness 9,23 MM
25	V836852744	4	Plug	

FOOTNOTE [A] NUMBER TO BE ADVISED

1-ZH34-001-B



## Cylinder Block Equipment

Item	Part Number	Qty	Description	Comments
1	V836855997	1	Pipe	
2	V615881824	1	Seal	
3	V836019756	1	Plug	
4	V640016040	5	Plug	
5	V528801362	2	Screw	M8 X 16
6	V836647400	1	Cover	
7	V836647401	1	Gasket	
8	V836855678	1	Cover	
9	V836322852	1	Gasket	
10	V528801380	5	Screw	M8 X 20
11	V546801360	1	Bolt	M8 X 16
12	V546801400	1	Bolt	M8 X 25
13	V640325110	5	Plug	
14	V615571014	5	Seal	
15	V836119079	1	Plug	
16	V615881620	1	Seal	
17	V640325014	1	Plug	
18	V615881420	1	Gasket	
19	V581804600	4	Screw	M8 X 20
20	V836855629	1	Sleeve	
21	V836855554	1	Gasket	
22	V836664377	1	Cock	MF 8270 XTRA MF 8280 XTRA

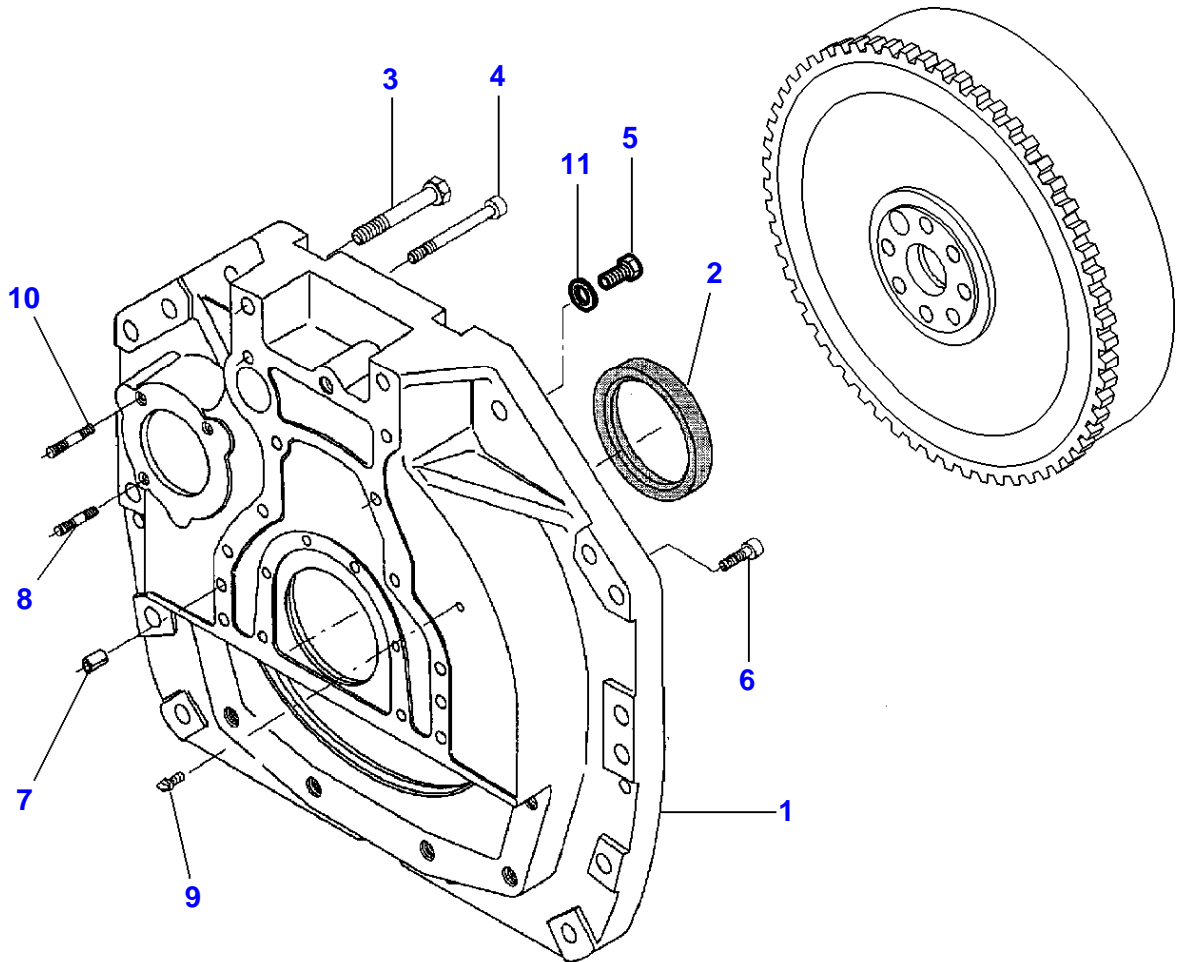


## Timing Gear Housing

Item	Part Number	Qty	Description	Comments
1	V836859150	1	Housing	
2	V836647419	1	Gasket	
3	V528801400	15	Screw	M8 X 25
4	V598359850	2	Pin	
5	V581804620	1	Screw	M8 X 25
6	V836859153	1	Nipple	
7	V836859151	1	Cover	
8	V836859152	1	Gasket	
9	V836859160	1	Restrictor	
10	V836840883	1	Oil Seal	
11	V836855636	1	Gasket	
12	V529801430	4	Screw	M8 X 40
13	V528801410	13	Adjusting Screw	M8 X 30
14	V529902730	1	Screw	M14 X 90
15	V836859161	1	Bridle	
16	V581804570	3	Screw	M8 X 12
17	V836136717	1	Cover	
18	V836129946	1	Gasket	
19	V546801860	3	Stud	
20	V598359860	2	Pin	
21	V836859588	1	Angle	
22	V640325018	1	Plug	
23	V615881822	1	Seal	



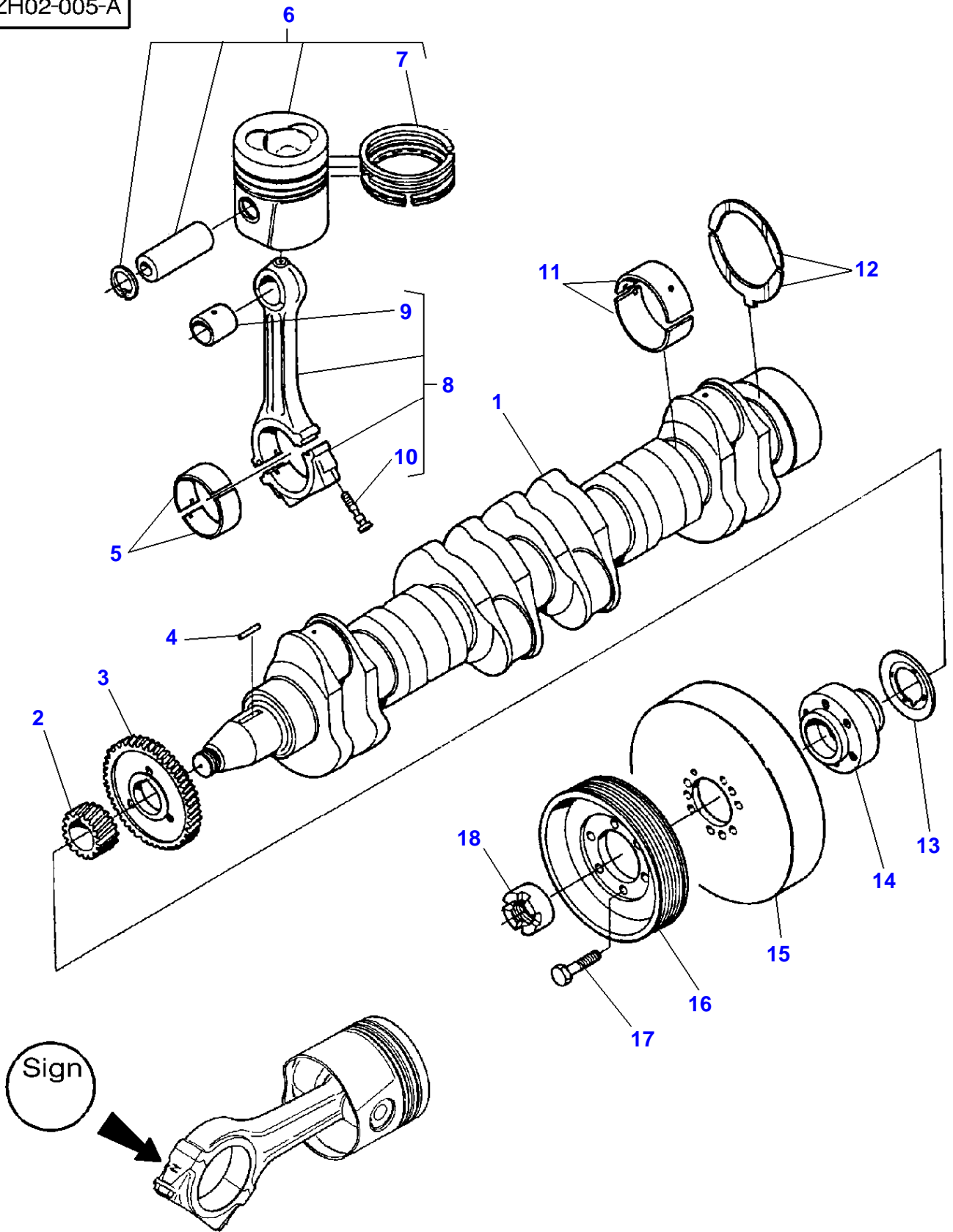
1-ZH21-004-B



**Flywheel Housing**

<b>Item</b>	<b>Part Number</b>	<b>Qty</b>	<b>Description</b>	<b>Comments</b>
1	V836855925	1	Cover	
2	V836840884	1	Oil Seal	
	V836020054	X	Spacer	MF 8270 XTRA MF 8280 XTRA Thickness 2 MM
3	V529803160	2	Screw	M16 X 110
4	V581705580	2	Screw	M12 X 110
5	V528902230	8	Screw	M12 X 40
6	V581705030	6	Screw	M10 X 30
7	V598359850	2	Pin	
8	V546801800	2	Bolt	M10 X 25
9	V836859311	1	Plug	
10	V836659869	1	Stud	MF 8270 - 8280
	V546801800	1	Bolt	MF 8270 XTRA MF 8280 XTRA
11	V500951200	8	Washer	MF 8270 XTRA MF 8280 XTRA

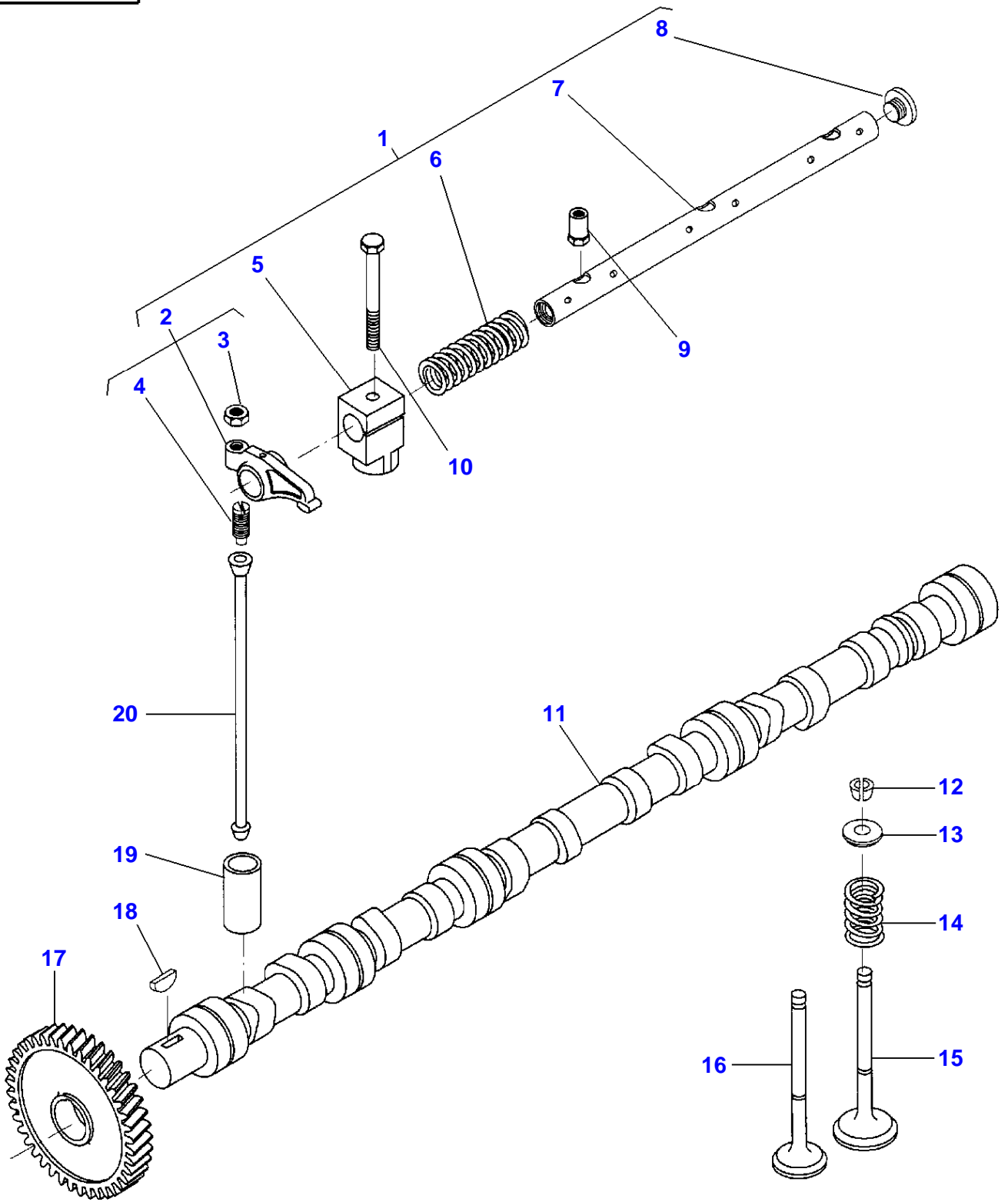
1-ZH02-005-A



Item	Part Number	Qty	Description	Comments
1	V836855910	1	Crankshaft	
2	V836855559	1	Gear	
3	V836855558	1	Gear	
4	V836855525	1	Key	
5	V836336302	6	Bearing	STANDARD
	V836338650	X	Bearing	Diameter 72,731 MM 72,750 MM
	V836338651	X	Bearing	Diameter 72,481 MM 72,500 MM
	V836338652	X	Bearing	Diameter 71,981 MM 72,000 MM
	V836338653	X	Bearing	Diameter 71,481 MM 71,500 MM
6	V836840886	6	Piston	MF 8270 - 8280
	V836866182	6	Piston	MF 8270 XTRA MF 8280 XTRA
7	V836840887	1	Kit, Piston Ring	(6)
8	V836355175	X	Conrod	Up to Serial or Engine Number L1109 2931-2950g C
	V836355176	X	Conrod	Up to Serial or Engine Number L1109 2951-2970g D
	V836352751	X	Conrod	Up to Serial or Engine Number L1109 2971-2990g E
	V836352752	X	Conrod	Up to Serial or Engine Number L1109 2991-3010g F
	V836352753	X	Conrod	Up to Serial or Engine Number L1109 3011-3030g G
	V836352754	X	Conrod	Up to Serial or Engine Number L1109 3031-3050g H
	V836352755	X	Conrod	Up to Serial or Engine Number L1109 3051-3070g I
	V836352756	X	Conrod	Up to Serial or Engine Number L1109 3071-3090g J
	V836352757	X	Conrod	Up to Serial or Engine Number L1109 3091-3110g K
	V836352758	X	Conrod	Up to Serial or Engine Number L1109 3111-3130g L
	V836352759	X	Conrod	Up to Serial or Engine Number L1109 3131-3150g M
	V836352760	X	Conrod	Up to Serial or Engine Number L1109 3151-3170g N
	V836352761	X	Conrod	Up to Serial or Engine Number L1109 3171-3190g O
	V836352762	X	Conrod	Up to Serial or Engine Number L1109 3191-3210g P
	V836352763	X	Conrod	Up to Serial or Engine Number L1109 3211-3230g R
	V836352764	X	Conrod	Up to Serial or Engine Number L1109 3231-3250g S
	V836352765	X	Conrod	Up to Serial or Engine Number L1109 3251-3270g T
	V836352766	X	Conrod	Up to Serial or Engine Number L1109 3271-3290g U
	V836352767	X	Conrod	Up to Serial or Engine Number L1109 3291-3310g V
	V836352768	X	Conrod	Up to Serial or Engine Number L1109 3311-3330g X
	V836352769	X	Conrod	Up to Serial or Engine Number L1109 3331-3350g Y
	V836352770	X	Conrod	Up to Serial or Engine Number L1109 3351-3370g Z
	V836864101	X	Conrod	From Serial or Engine Number L1110 2230-2249g E
	V836864102	X	Conrod	From Serial or Engine Number L1110 2250-2269g F
	V836864103	X	Conrod	From Serial or Engine Number L1110 2270-2289g G
	V836340948	X	Conrod	From Serial or Engine Number L1110 2290-2309g H
	V836864105	X	Conrod	Replace and repair. Old not interchangeable with new V836864104 From Serial or Engine Number L1110 2310-2329g I

Item	Part Number	Qty	Description	Comments
8	V836864106	X	Conrod	From Serial or Engine Number L1110 2330-2349g J
8	V836864107	X	Conrod	From Serial or Engine Number L1110 2350-2369g K
9	V836336297	1	Bush	(8) Up to Serial or Engine Number L1109
9	V836864288	1	Bush	(8) From Serial or Engine Number L1110
9	V836338606	X	Bush	(8) Diameter +0,5 MM
10	V836336296	2	Screw	(8) Up to Serial or Engine Number L1109
10	V836864141	2	Screw	(8) From Serial or Engine Number L1110
11	V836840944	7	Main Bearing	STANDARD
11	V836840978	X	Main Bearing	Diameter 89,735 MM 89,770 MM
11	V836840979	X	Main Bearing	Diameter 89,485 MM 89,520 MM
11	V836840980	X	Main Bearing	Diameter 88,985 MM 89,020 MM
11	V836840981	X	Main Bearing	Diameter 88,485 MM 88,520 MM
12	V836840945	2	Thrust Washer	STANDARD
12	V836840982	X	Thrust Washer	0,10 MM
12	V836840983	X	Thrust Washer	0,20 MM
13	V836855637	1	Ring	
14	V836855641	1	Hub	
15	V836840882	1	Shock Absorber	
16	V836855690	1	Pulley	
17	V528902230	6	Screw	M12 X 40
18	V836322221	1	Nut	

1-ZH22-001-A



**Buy Now**



Our support email:

[ebooklibonline@outlook.com](mailto:ebooklibonline@outlook.com)