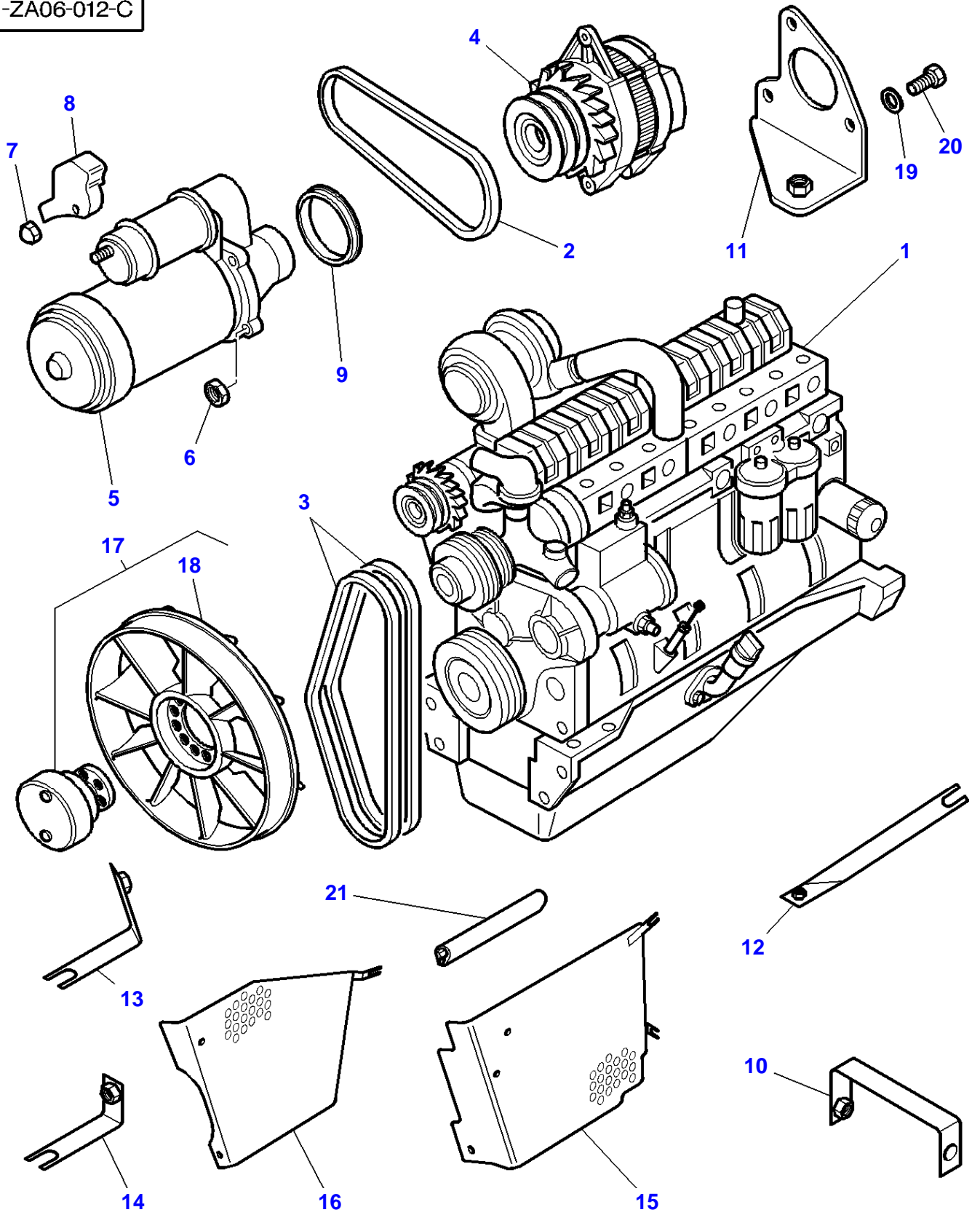


Page Title	Page Number
Engine And Equipment	010-0005
Alternator And Bracket	010-0010
Alternator - Valeo	010-0015
Starter - Magneti Marelli	010-0020
Cylinder Block	010-0025
Timing Gear Housing	010-0030
Flywheel Housing	010-0035
Crankshaft, Pistons And Connecting Rods	010-0040
Valve Mechanism And Camshaft	010-0045
Cylinder Head	010-0050
Cylinder Head Cover	010-0055
Thermostat	010-0060
Lubricating Oil Sump - Up to Serial or Engine Number - J14443	010-0065
Lubricating Oil Sump - From Serial or Engine Number - J14444	010-0070
Lubricating Oil Pump	010-0075
Lubricating Oil Cooler And Filter	010-0080
Water Pump	010-0085
Fuel Injection Equipment (Diesel)	010-0090
Fuel Injection Equipment (Diesel)	010-0095
Feed Pump	010-0100
Stop Magnet	010-0105
Low Pressure Fuel System	010-0110
Air Induction And Exhaust System	010-0115
Turbocharger - Pipes	010-0120
Cold Starting Device	010-0125
Belt Tensioner	010-0130
Engine Repair Kits - Piston- Cylinder Head With Valves	010-0135
Engine Gaskets Sets	010-0140
Heater Engine Block	010-0145
Heater Engine Block	010-0150
Battery & Cables - Without Battery Cut-Off W/O Positive Connection	010-0155
Battery & Cables - With Battery Cut-Off	010-0160
Battery & Cables - Without Battery Cut-Off With Positive Connection	010-0165
Cooling System - Air Conditioned Installation	010-0170
Sanden Compressor	010-0175
Cooling System - Engine	010-0180
Cab Heating System - Engine Part	010-0185
Fuel System - Fuel Tank And Attachments	010-0190
Fuel System - Fuel Tank And Attachments - With Additional Tank	010-0195
Fuel System - Fuel Tank And Attachments	010-0200
Fuel System - Fuel Filters And Pipes - WITH FUEL COOLER	010-0205
Fuel System - Fuel Filters And Pipes - WITH FLOW METER AND FUEL COOLER	010-0210
Sedimenter	010-0215
Air Filter - Dry - Dual Element	010-0220
Air Filter - Dry - Dual Element	010-0225
Air Cooler	010-0230
Vertical Exhaust On The Side	010-0235
Throttle Controls	010-0240
Throttle Controls	010-0245
Throttle Controls	010-0250

MF 8260 TRACTOR - 1637374
1-ZA06-012-C

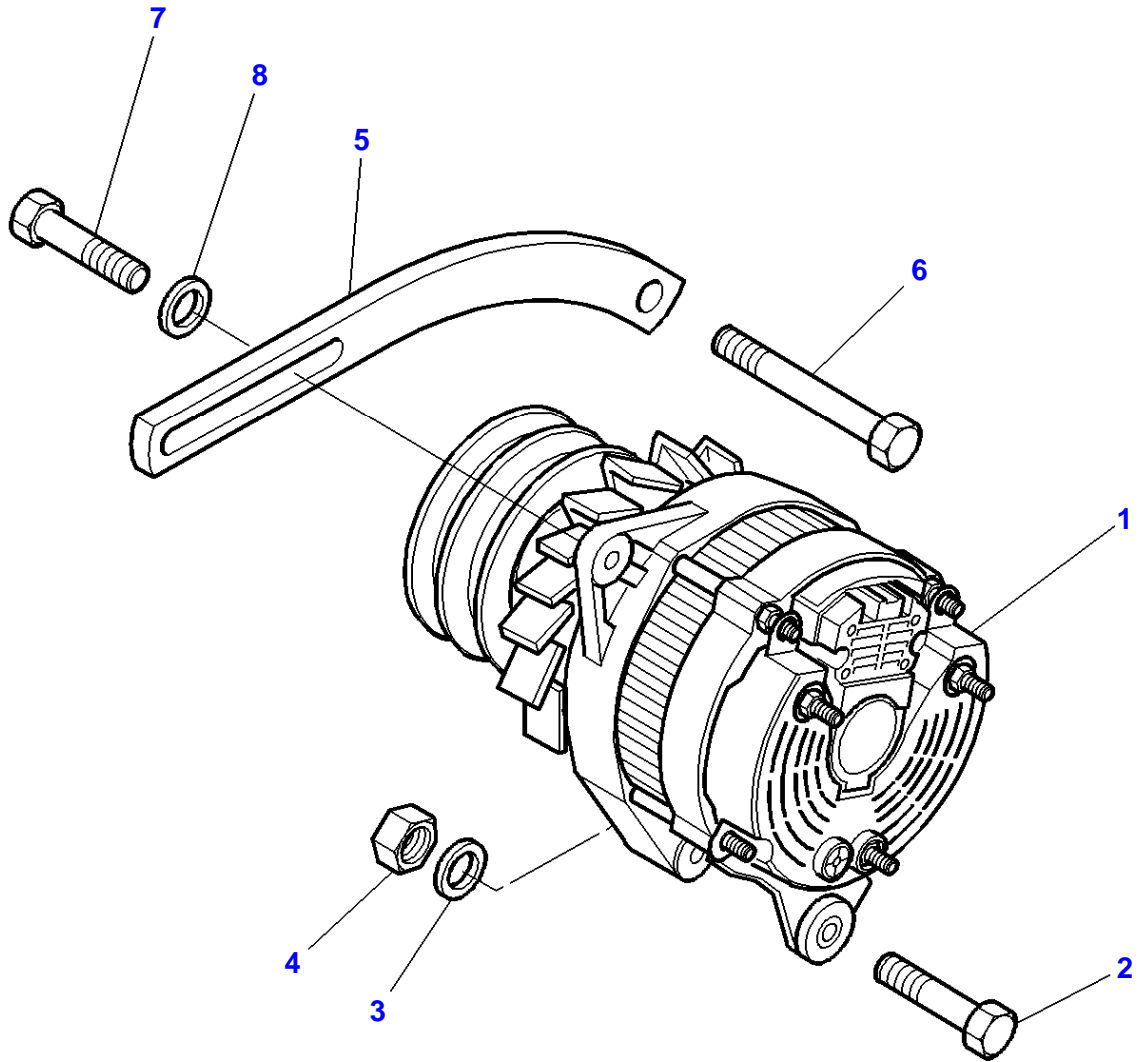
1-ZA06-012-C



Engine And Equipment

Item	Part Number	Qty	Description	Comments
1	3782741M91	1	Engine	634 DSBAE
2	5016260M1	1	Belt	
3	3617180M91	1	Kit, Belt	
4	3780634M1	1	Alternator	120 AMP. See Page - Reference Number 010-0015/1
5	3581576M3	1	Startermotor	
6	3009693X1	3	Nut Metric	M10
7	3611638M1	1	Nut	M8
8	3611662M1	1	Cover	
9	3778469M1	1	Spacer	
10	3782045M1	1	Strap	
11	3781103M1	1	Support	
12	3783247M1	1	Strap	
13	3783245M1	1	Support	
14	3783246M1	1	Strap	
15	3783248M4	1	Cowl	
16	3783249M2	1	Cowl	
17	3782778M91	1	Fan	
18	3777244M1	1	Fan	(17)
19	385361X1	3	Washer	
20	339368X1	3	Bolt Metric	M8X60
21	3778990M1	1	Gasket	Length 165MM

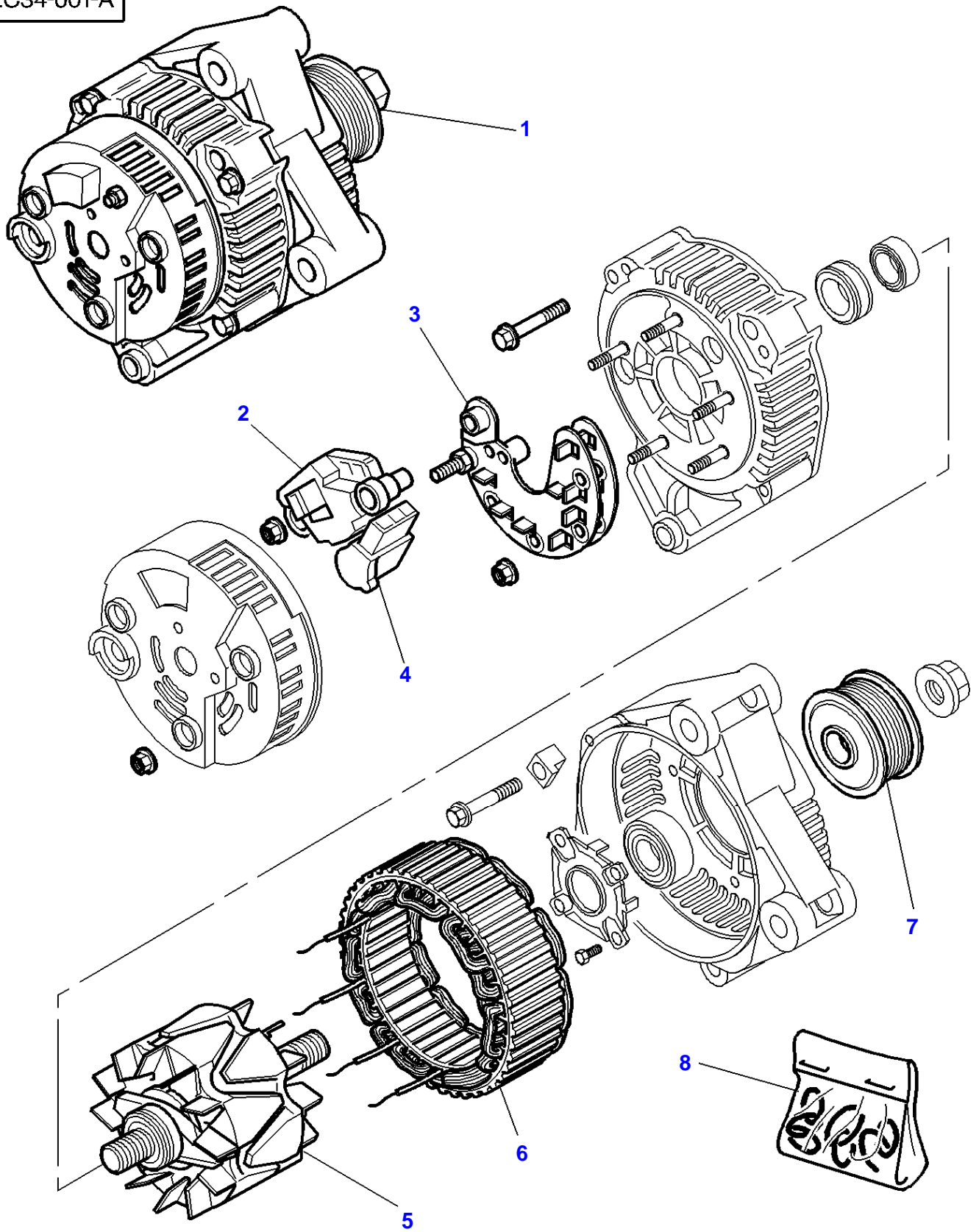
1-ZA10-003-A



Alternator And Bracket

Item	Part Number	Qty	Description	Comments
1	3780634M1	1	Alternator	120 AMP. See Page - Reference Number 010-0015/1
2	1442487X1	1	Bolt Metric	M10X130
3	390734X1	1	Washer	
4	3009693X1	1	Nut Metric	M10
5	3780945M1	1	Tensioner	
6	3009491X1	1	Hex. Sock. Screw	M10X20
7	339168X1	1	Screw	M8X50
8	390972X1	1	Washer Metric	

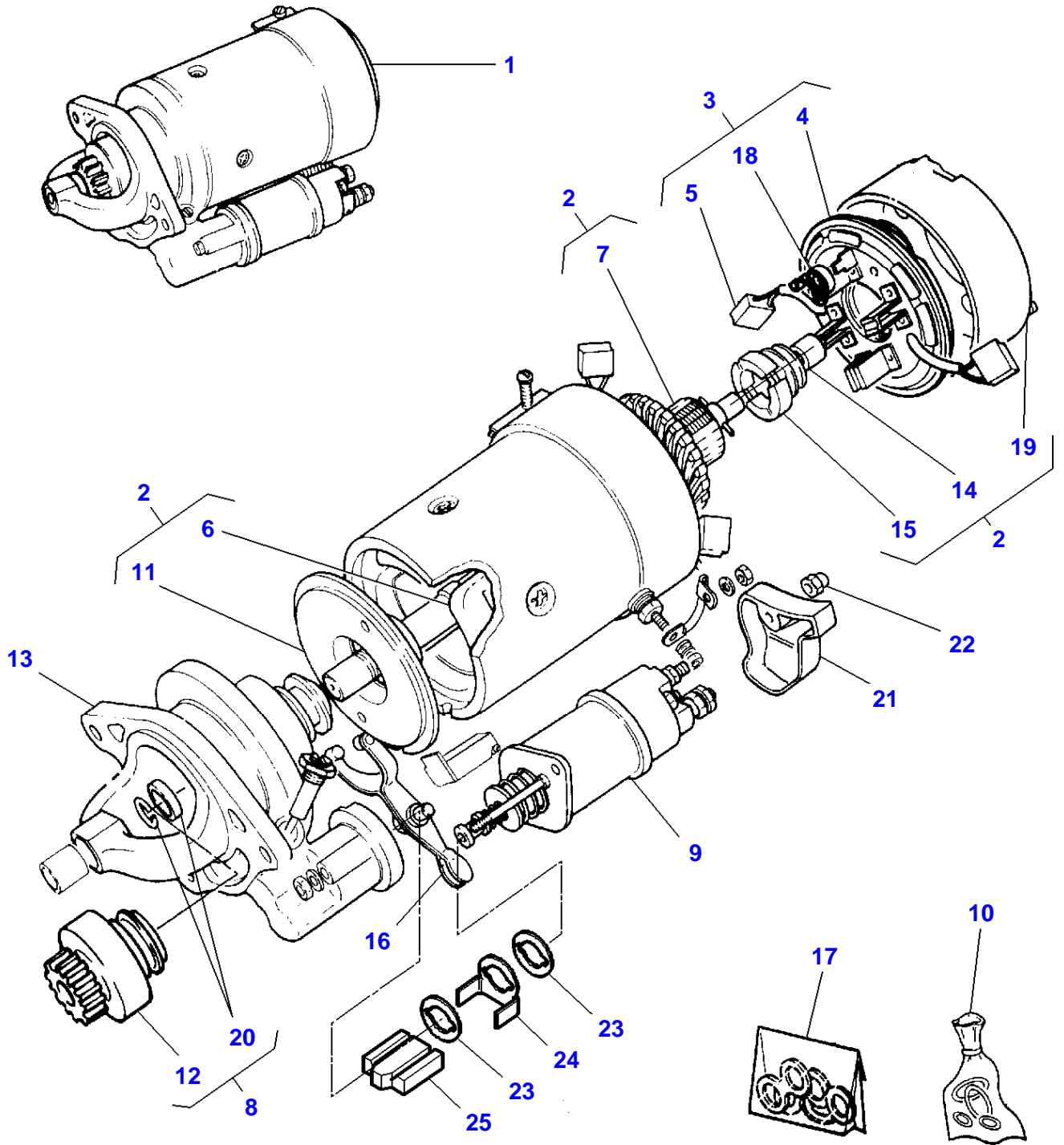
1-ZC34-001-A



Alternator - Valeo

Item	Part Number	Qty	Description	Comments
1	3780634M1	1	Alternator	120 AMP
2	3903324M91	1	Support	(1)
3	3903321M91	1	Bridge	(1)
4	3903318M91	1	Regulator	(1)
5	3903319M91	1	Rotor	(1)
6	3903320M91	1	Stator	(1)
7	3903322M1	1	Pulley	(1)
8	3903323M91	1	Parts Pack	

1-ZC50-002-B



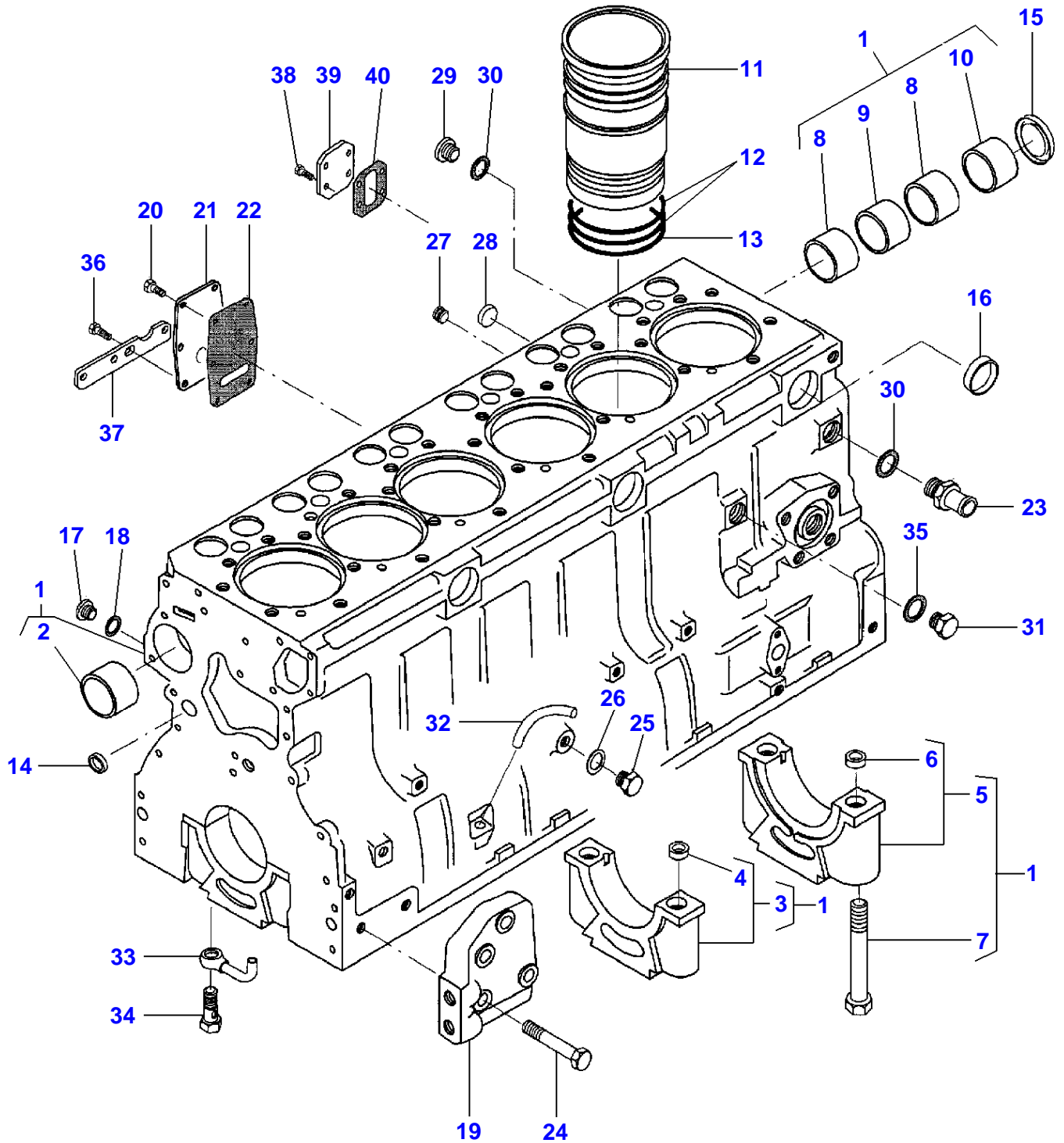
Starter - Magneti Marelli

Item	Part Number	Qty	Description	Comments
1	3581576M3	1	Startermotor	[A] M127/2.8
2	3902392M91	1	Parts Pack	(1)
3	3902391M91	1	Parts Pack	(1)
4		1	Kit, Spring	(3) Not serviced,order REF NO 3
5		1	Kit, Brush	(3) Not serviced,order REF NO 3
6		1	Coil	(2) Not serviced,order REF NO 2
7		1	Armature	(2) Not serviced,order REF NO 2
8	3902390M91	1	Parts Pack	(1)
9	3901191M1	1	Solenoid	(1)
10	1887967M91	1	Kit	(1)
11		1	Bearing Plate	(2) Not serviced,order REF NO 2
12		1	Drive	(8) Not serviced,order REF NO 8
13	3904181M91	1	Bracket	(1)
14		1	Bush	(2) Not serviced,order REF NO 2
15		1	Kit, Brake	(2) Not serviced,order REF NO 2
16	1897317M92	1	Kit, Lever	(1)
17	1806002M1	1	Kit, Seal	(1)
18		1	Kit, Brush Plate	(3) Not serviced,order REF NO 3
19		1	Housing	(2) Not serviced,order REF NO 2
20		1	Kit, Retainer	(8) Not serviced,order REF NO 8
21	3611662M1	1	Cover	
22	3611638M1	1	Nut	
23	3904186M1	2	Gasket	(1)
24	3904185M1	1	Carrier	(1)
25	3904184M1	1	Grommet	(1)

FOOTNOTE [A] THE APPROPRIATE SAFETY DECALS MUST BE ORDERED AND FITTED TO THIS PART

MF 8260 TRACTOR - 1637374
1-ZH01-004-A

1-ZH01-004-A

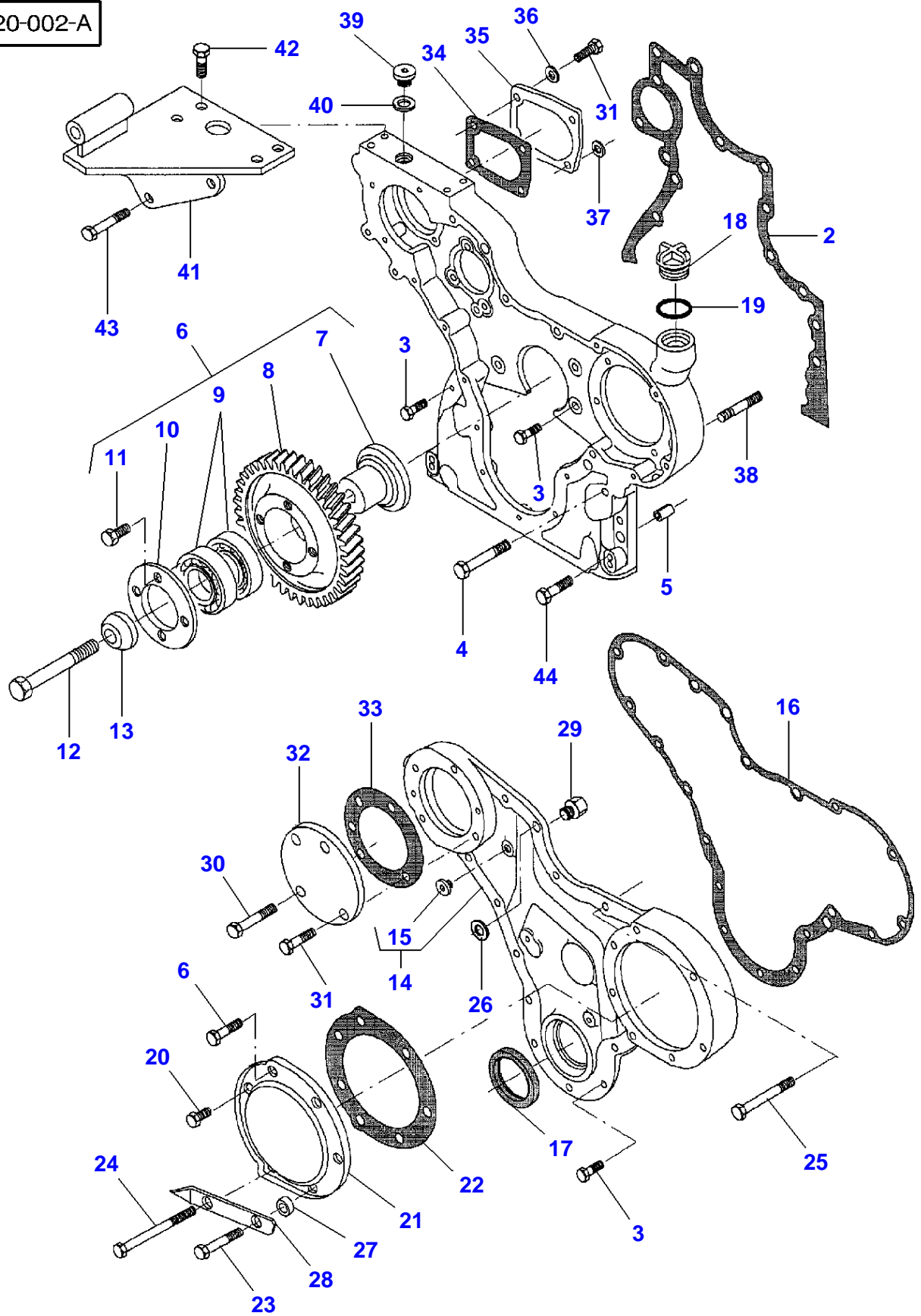


Cylinder Block

Item	Part Number	Qty	Description	Comments
1	V836847275	1	Cylinder Block	
2	V836322610	1	Bush	(1)
3		6	Bearing Carrier	(1)
4	V836214478	2	Bush	(3)
5		1	Bearing Carrier	(1)
6	V836214478	2	Bush	(5)
7	V529903180	14	Screw	(1)
8	V836852460	2	Bush	(1)
9	V836852459	1	Bush	(1)
10	V836852461	1	Bush	(1)
11	V836647420	6	Liner	
	V836647933	X	Liner	Thickness 9,08MM
	V836647934	X	Liner	Thickness 9,13MM
	V836647935	X	Liner	Thickness 9,23MM
12	V836647502	12	O Ring	
13	V836647503	6	O Ring	
14	V640016016	4	Plug	
15	V836852744	1	Plug	
16	V640016040	3	Plug	
17	V640325110	3	Plug	
18	V615571014	4	Seal	
19	V836852656	1	Support	Left Hand
	V836852657	1	Support	Right Hand
20	V528801380	4	Screw	M8X20
21	V836847994	1	Cover	
22	V836322852	1	Gasket	
23	V836119837	1	Union	
24	V529802682	8	Screw	M14X65
25	V640305012	1	Plug	
26	V615881216	1	Gasket	
27	V640025010	1	Plug	
28	V640016018	3	Plug	
29	V640325018	1	Plug	
30	V615881822	2	Seal	
31	V836019756	1	Plug	
32	V836855997	1	Pipe	
33	V836855093	6	Pipe	
34	V836338601	6	Valve	
35	V615881824	1	Seal	
36	V528801400	2	Screw	M8X25
37	V836859571	1	Support	
38	V528801362	4	Screw	M8X16
39	V836659543	1	Cover	
40	V836659544	1	Gasket	

MF 8260 TRACTOR - 1637374
1-ZH20-002-A

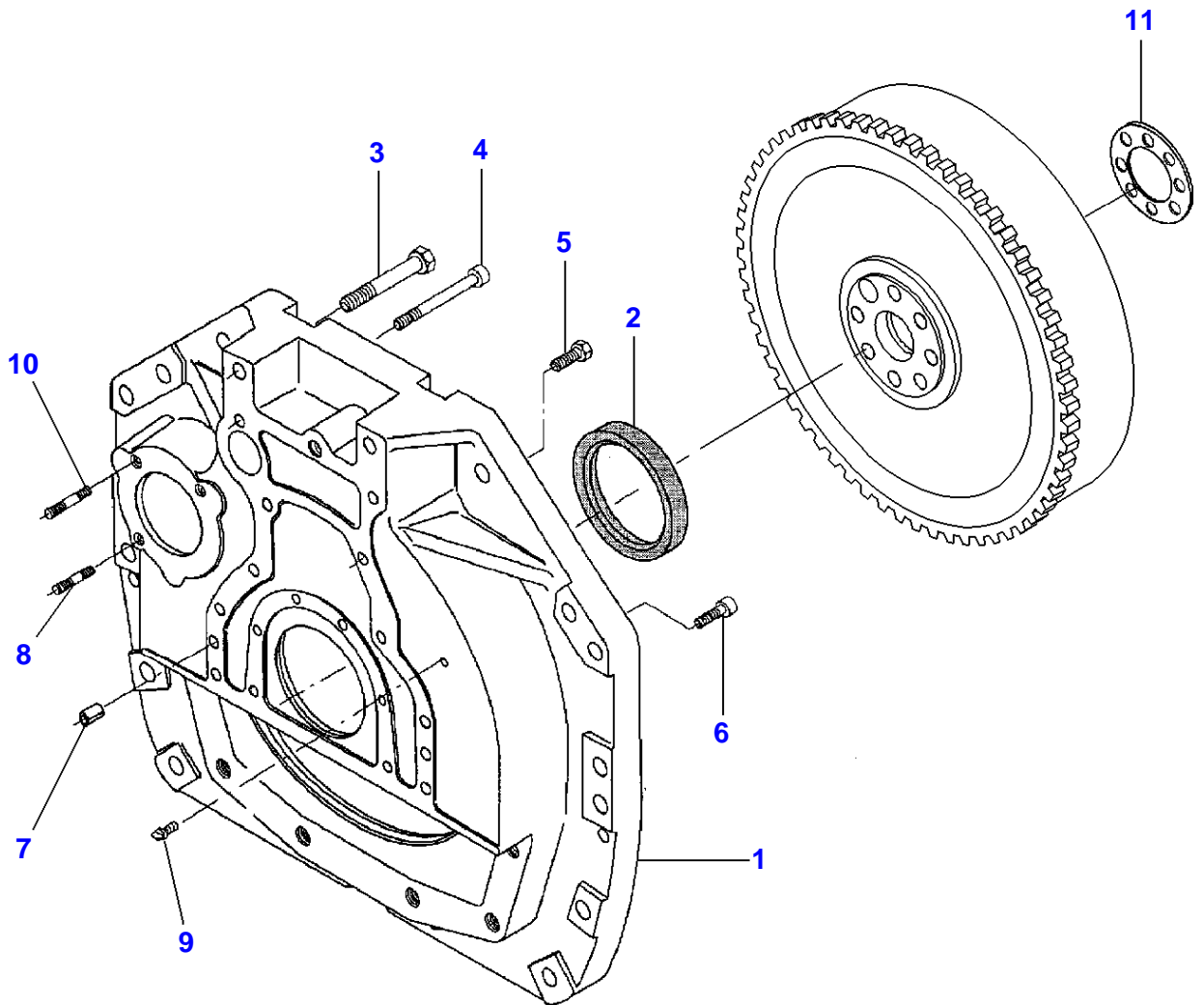
1-ZH20-002-A



Timing Gear Housing

Item	Part Number	Qty	Description	Comments
1	V836859491	1	Timing Gear Case	
2	V836647419	1	Gasket	
3	V528801400	17	Screw	M8X25
4	V529801470	1	Screw	M8X60
5	V598359850	4	Pin	
6	V836647946	1	Gear	
7	V836647937	1	Shaft	
8	V836122756	1	Gear	(6)
9	V610071079	2	Bearing Ball	(6)
10	V836122759	1	Flange	(6)
11	V528801360	4	Screw	(6) M8X16
12	V529902720	1	Screw	M14X85
13	V836122758	1	Flange	
14	V836117328	1	Cover	
15	V588204963	1	Plug	
16	V836117329	1	Gasket	
17	V614105880	1	Seal	
18	V836017927	1	Plug	
19	V614603540	1	O Ring	
20	V528801360	2	Screw	M8X16
21	V836120144	1	Cover	
22	V836112272	1	Gasket	
23	V529801460	1	Screw	M8X55
24	V529801560	1	Screw	M8X105
25	V529801500	4	Screw	M8X75
26	V836120989	1	Washer	
27	V836019695	2	Sleeve	
28	V836352823	1	Plate	
29	V836647774	1	Screw	
30	V529801440	1	Screw	M8X45
31	V528801380	5	Screw	M8X20
32	V836117337	1	Cover	
33	V836117338	1	Gasket	
34	V836022077	1	Gasket	
35	V836122076	1	Cover	
36	V500950800	3	Washer	
37	V836015967	1	Washer	
38	V546801860	3	Stud	M10X55
39	V640325018	1	Plug	
40	V615881822	1	Seal	
41	V836859319	1	Support	
42	V528801780	4	Screw	M10X20
43	V529801550	2	Screw	M8X50
44	V529801440	4	Screw	M8X45

1-ZH21-005-A



Buy Now



Our support email:

ebooklibonline@outlook.com