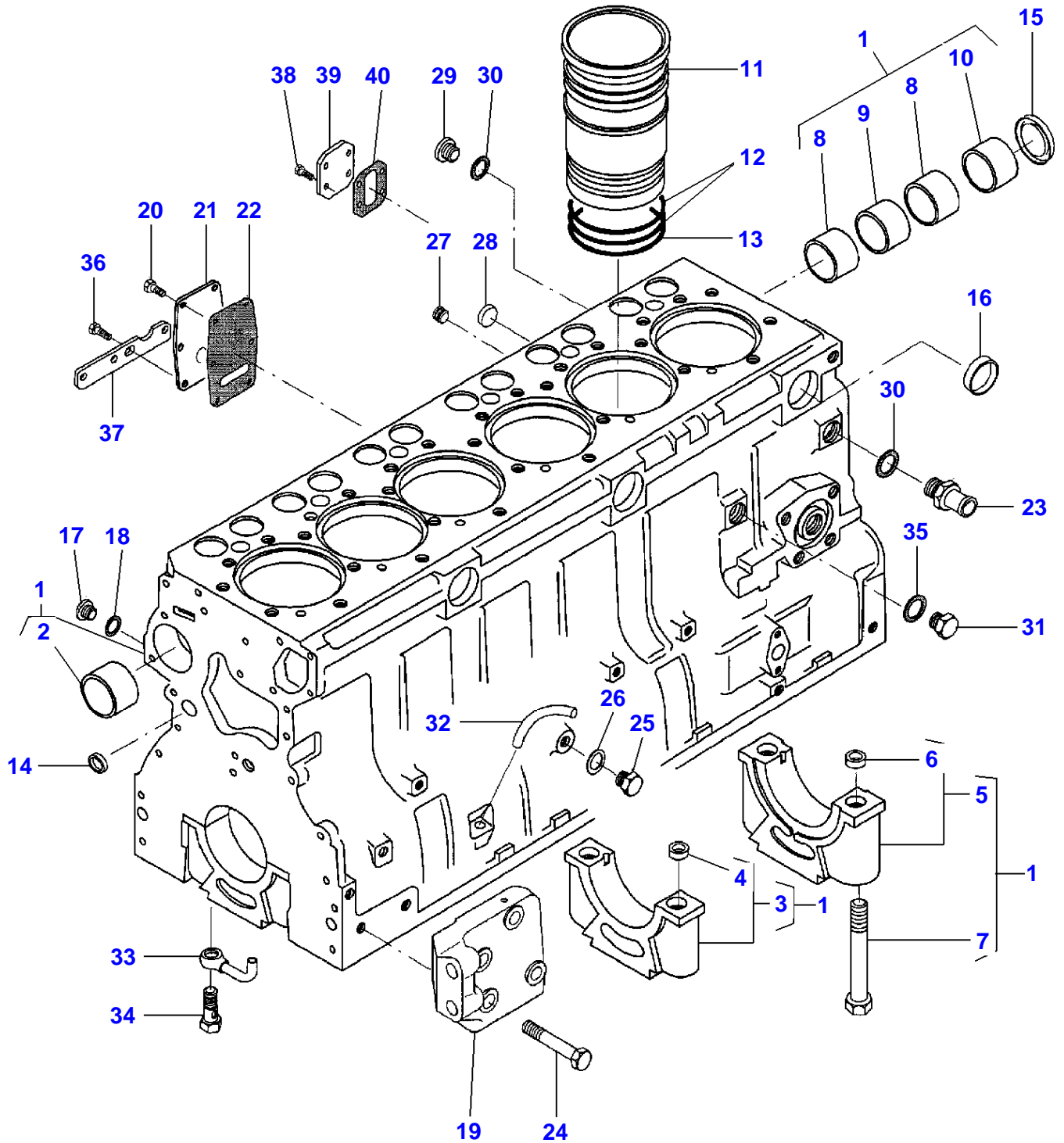


Page Title	Page Number
Engine And Equipment	010-0005
Alternator And Bracket - Up to Serial or Engine Number - K110016	010-0010
Alternator And Bracket - From Serial or Engine Number - K110017	010-0015
Alternator - Valeo - Up to Serial or Engine Number - K110016	010-0020
Alternator - ISKRA - From Serial or Engine Number - K110017	010-0025
Starter - Magneti Marelli - Up to Serial or Engine Number - K073010	010-0030
Starter - ISKRA - From Serial or Engine Number - K073011	010-0035
Cylinder Block	010-0040
Timing Gear Housing - M.F 8240	010-0045
Timing Gear Housing - M.F 8240 XTRA	010-0050
Flywheel Housing	010-0055
Crankshaft, Pistons And Connecting Rods	010-0060
Valve Mechanism And Camshaft	010-0065
Cylinder Head	010-0070
Cylinder Head Cover	010-0075
Thermostat	010-0080
Lubricating Oil Sump	010-0085
Lubricating Oil Pump - Up to Serial or Engine Number - J7890	010-0090
Lubricating Oil Pump - From Serial or Engine Number - J7891	010-0095
Lubricating Oil Cooler And Filter	010-0100
Water Pump - M.F 8240	010-0105
Water Pump - M.F 8240 XTRA	010-0110
Fuel Injection Equipment (Diesel) - M.F 8240	010-0115
Fuel Injection Equipment (Diesel) - M.F 8240 XTRA	010-0120
Fuel Injection Equipment (Diesel) - Up To J4765	010-0125
Fuel Injection Equipment (Diesel) - From J4766	010-0130
Low Pressure Fuel System - M.F 8240	010-0135
Low Pressure Fuel System - M.F 8240 XTRA	010-0140
Feed Pump - M.F 8240 XTRA	010-0145
Stop Magnet - M.F 8240 XTRA	010-0150
Air Induction And Exhaust System - M.F 8240	010-0155
Air Induction And Exhaust System - M.F 8240 XTRA	010-0160
Turbocharger - Pipes - M.F 8240	010-0165
Turbocharger - Pipes - M.F 8240 XTRA	010-0170
Cold Starting Device - M.F 8240	010-0175
Belt Tensioner - Up to Serial or Engine Number - K 18108	010-0180
Belt Tensioner - From Serial or Engine Number - K 18109	010-0185
Engine Repair Kits - Piston- Cylinder Head With Valves	010-0190
Engine Gaskets Sets	010-0195
Heater Engine Block - Up to Serial or Engine Number - L155012	010-0200
Heater Engine Block - From Serial or Engine Number - L155013	010-0205
Heater Engine Block	010-0210
Battery & Cables - Without Battery Cut-Off W/O Positive Connection	010-0215
Battery & Cables - With Battery Cut-Off	010-0220
Battery & Cables - Without Battery Cut-Off With Positive Connection	010-0225
Cooling System - Air Conditioned Installation - M.F 8240 - Up To 07-09-2000	010-0230
Cooling System - Air Conditioned Installation - M.F 8240 - From 08-09-2000	010-0235
Cooling System - Air Conditioned Installation - M.F 8240 XTRA	010-0240
Sanden Compressor	010-0245
Cooling System - Engine	010-0250
Cab Heating System - Engine Part	010-0255
Fuel System - Fuel Tank And Attachments - Without Additional Tank	010-0260
Fuel System - Fuel Tank And Attachments - With Additional Tank	010-0265
Fuel System - Fuel Tank And Attachments - With Additional Tank	010-0270

Fuel System - Fuel Filters And Pipes - M.F 8240 - WITHOUT FUEL FLOWMETER	010-0275
Fuel System - Fuel Filters And Pipes - M.F 8240 XTRA - WITHOUT FUEL FLOWMETER	010-0280
Fuel System - Fuel Filters And Pipes - M.F 8240 - With Flow Fuel	010-0285
Fuel System - Fuel Filters And Pipes - M.F 8240 XTRA - With Flow Fuel	010-0290
Fuel System - Fuel Filters And Pipes - M.F 8240 - WITH FUEL COOLER	010-0295
Fuel System - Fuel Filters And Pipes - M.F 8240 XTRA - WITH FUEL COOLER	010-0300
Fuel System - Fuel Filters And Pipes - M.F 8240 - WITH FLOW METER AND FUEL COOLER	010-0305
Fuel System - Fuel Filters And Pipes - M.F 8240 XTRA - WITH FLOW METER AND FUEL COOLER	010-0310
Sedimenter	010-0315
Fuel System - Fuel Tank And Attachments	010-0320
Air Filter - Dry - Dual Element - M.F 8240 - Up To ...	010-0325
Air Filter - Dry - Dual Element - M.F 8240 - From ...	010-0330
Air Filter - Dry - Dual Element - M.F 8240 XTRA	010-0335
Air Filter - Dry - Dual Element - M.F 8240	010-0340
Air Filter - Dry - Dual Element - M.F 8240 XTRA	010-0345
Air Cooler - M.F 8240	010-0350
Air Cooler - M.F 8240 XTRA	010-0355
Vertical Exhaust On The Side - Up to Serial or Engine Number	010-0360
Vertical Exhaust On The Side - From Serial or Engine Number - ...	010-0365
Throttle Controls	010-0370
Throttle Controls - With AUTODRIVE	010-0375
Throttle Controls	010-0380
Throttle Controls - Up To 07-01-2001	010-0385
Throttle Controls - From 08-01-2001	010-0390

MF 8240 TRACTOR - 1637376  
1-ZH01-003-C

1-ZH01-003-C

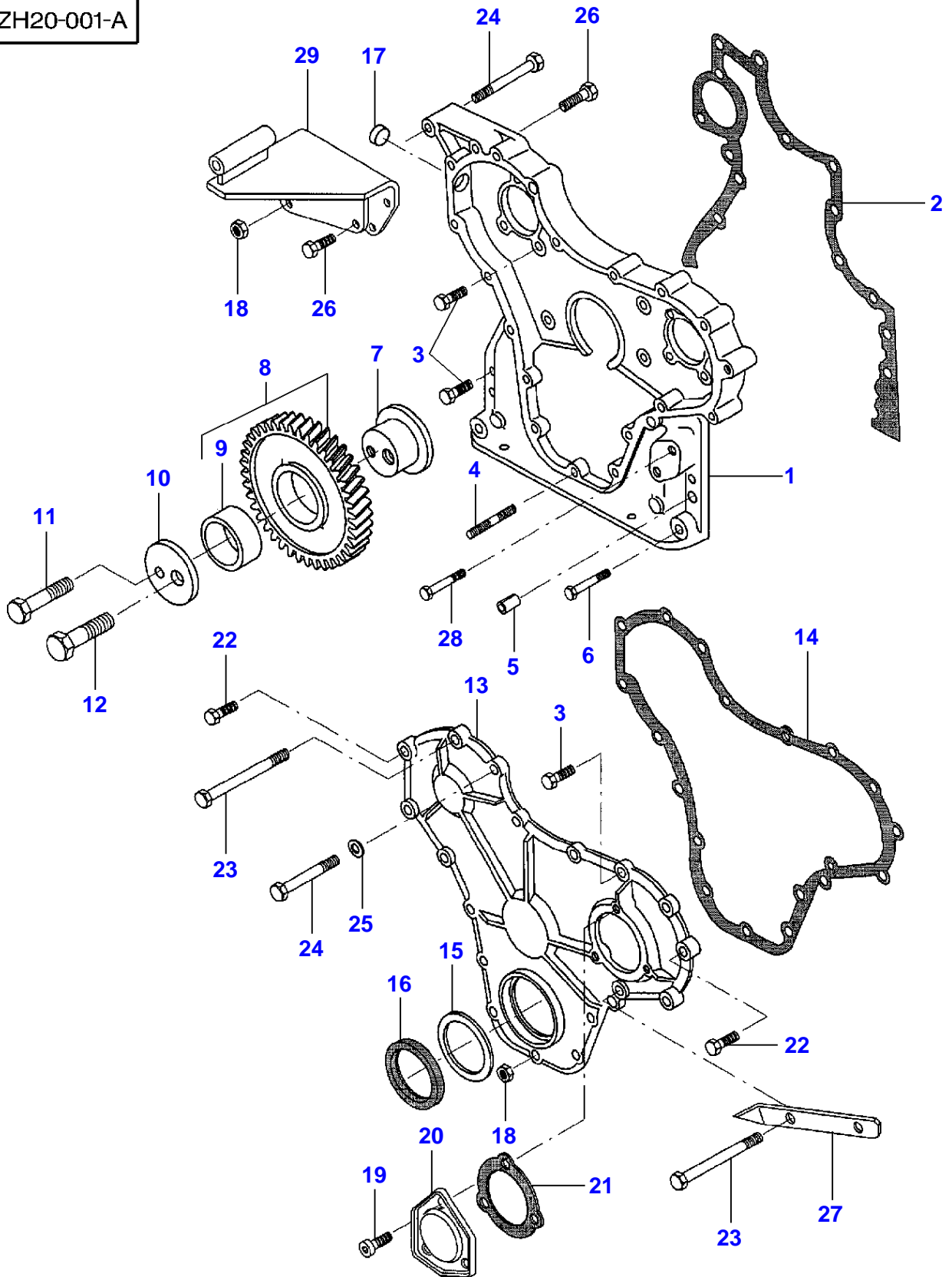


## Cylinder Block

Item	Part Number	Qty	Description	Comments
1	V836847275	1	Cylinder Block	MF 8240
	V836866110	1	Cylinder Block	MF 8240 XTRA
2	V836322610	1	Bush	(1) MF 8240
	V836866069	1	Bush	(1) MF 8240 XTRA
	V836866036	X	Bush	(1) MF 8240 XTRA Diameter +0.4MM
3		6	Bearing Carrier	(1)
4	V836214478	2	Bush	(3)
5		1	Bearing Carrier	(1)
6	V836214478	2	Bush	(5)
7	V529903180	14	Screw	(1)
8	V836852460	2	Bush	(1)
9	V836852459	1	Bush	(1)
10	V836852461	1	Bush	(1)
11	V836647420	6	Liner	
	V836647933	X	Liner	Thickness 9,08MM
	V836647934	X	Liner	Thickness 9,13MM
	V836647935	X	Liner	Thickness 9,23MM
12	V836647502	12	O Ring	
13	V836647503	6	O Ring	
14	V640016016	4	Plug	
15	V836852744	1	Plug	
16	V640016040	3	Plug	
17	V640325110	3	Plug	
18	V615571014	4	Seal	
19	V836852656	1	Support	Left Hand Up to Serial or Engine Number K xxxx
	V836864529	1	Support	Left Hand From Serial or Engine Number K xxxx
	V836852657	1	Support	Right Hand Up to Serial or Engine Number K xxxx
	V836864530	1	Support	Right Hand From Serial or Engine Number K xxxx
20	V528801380	4	Screw	M8X20
21	V836847994	1	Cover	
22	V836322852	1	Gasket	
23	V836119837	1	Union	
24	V529802682	8	Screw	MF 8240 M14 X 65
	V529902680	8	Screw	MF 8240 XTRA M14 X 65
25	V640305012	1	Plug	
26	V615881216	1	Gasket	
27	V640025010	1	Plug	
28	V640016018	3	Plug	
29	V640325018	1	Plug	
30	V615881822	2	Seal	
31	V836019756	1	Plug	
32	V836014334	1	Pipe	MF 8240
	V836855997	1	Pipe	MF 8240 XTRA
33	V836846231	6	Pipe	
34	V836338601	6	Valve	
35	V615881824	1	Seal	
36	V528801400	2	Screw	M8X25
37	V836859571	1	Support	
38	V528801362	4	Screw	MF 8240 XTRA M8 X 16
39	V836659543	1	Cover	MF 8240 XTRA
40	V836659544	1	Gasket	MF 8240 XTRA

MF 8240 TRACTOR - 1637376  
1-ZH20-001-A

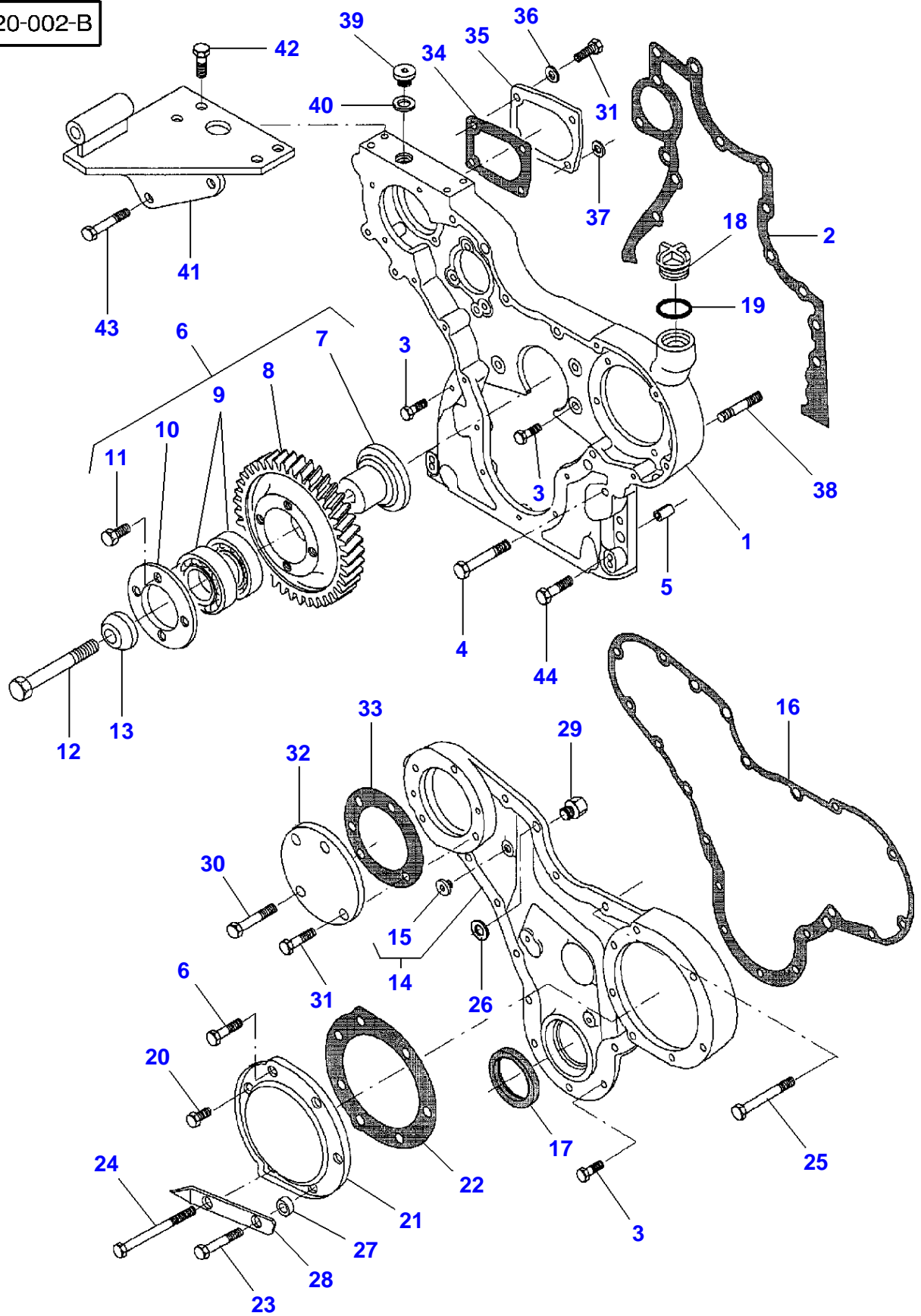
1-ZH20-001-A



Item	Part Number	Qty	Description	Comments
1	V836647865	1	Housing	
2	V836647419	1	Gasket	
3	V528801400	12	Screw	M8X25
4	V546801380	5	Bolt	M8X20
5	V598359850	4	Pin	
6	V529801440	2	Screw	M8X45
7	V836129709	1	Shaft	
8	V836129863	1	Gear	
9	V836129844	1	Bush	(8)
10	V836129845	1	Flange	
11	V528801860	1	Screw	M10X55
12	V529902680	1	Screw	M14X65
13	V836647572	1	Cover	
14	V836129942	1	Gasket	
15	V836129782	1	Chock	
16	V614105880	1	Seal	
17	V640016016	1	Plug	
18	V504800800	6	Nut	
19	V581804570	3	Screw	M8X12
20	V836136717	1	Cover	
21	V836129946	1	Gasket	
22	V528801420	4	Screw	M8X35
23	V529801500	2	Screw	M8X75
24	V529801470	3	Screw	M8X60
25	V836120989	1	Washer	
26	V528801380	2	Screw	M8X20
27	V836855654	1	Indicator	
28	V529801450	1	Screw	M8X50
29	V836859394	1	Support	Up to Serial or Engine Number K xxxx
	V836866086	1	Support	From Serial or Engine Number K xxxx

MF 8240 TRACTOR - 1637376  
1-ZH20-002-B

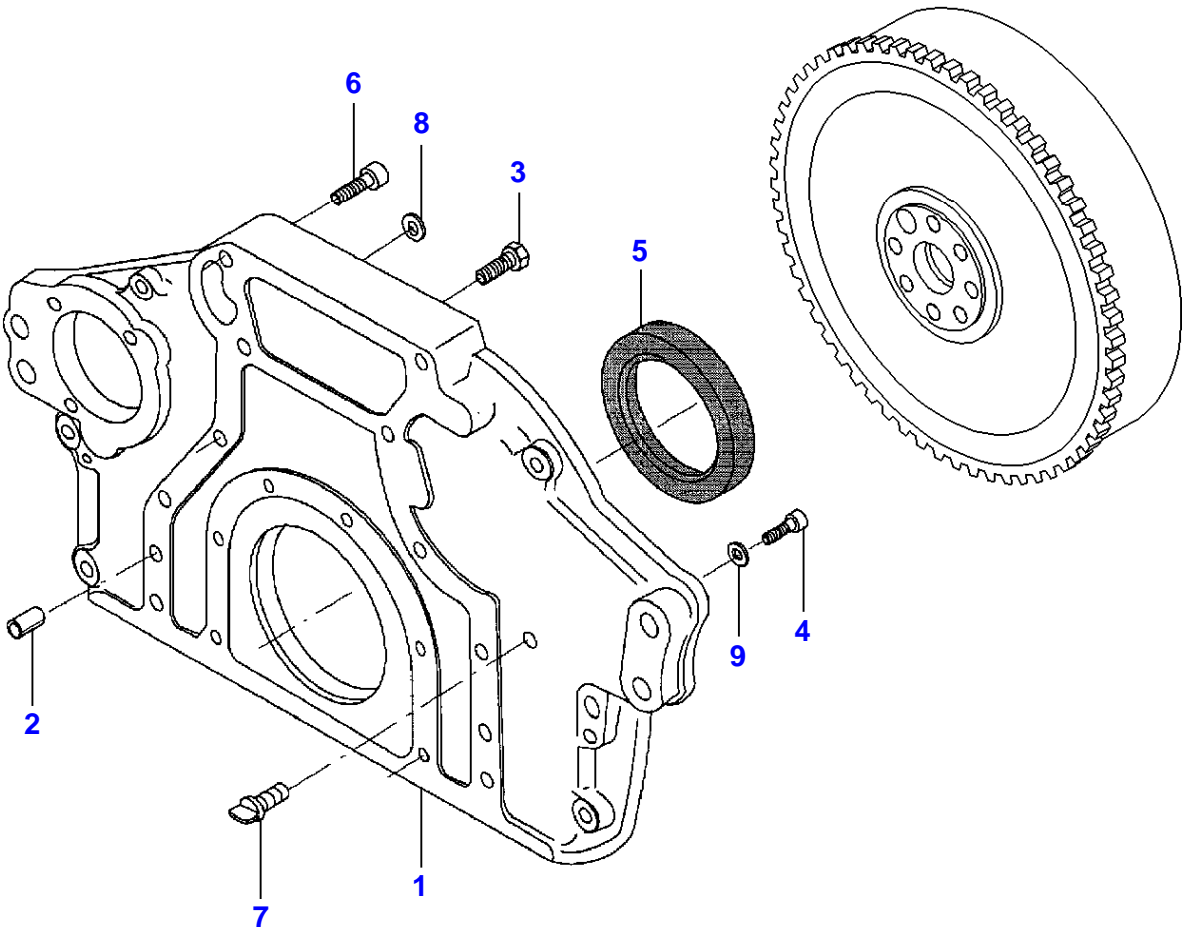
1-ZH20-002-B



Item	Part Number	Qty	Description	Comments
1	V836859491	1	Timing Gear Case	
2	V836647419	1	Gasket	
3	V528801400	17	Screw	M8X25
4	V529801470	1	Screw	M8X60
5	V598359850	4	Pin	
6	V836647946	1	Gear	
7	V836647937	1	Shaft	(6)
8	V836122756	1	Gear	(6)
9	V610071079	2	Ball Bearing	(6)
10	V836122759	1	Flange	(6)
11	V528801360	4	Screw	(6) M8X16
12	V529902720	1	Screw	M14X85
13	V836122758	1	Flange	
14	V836117328	1	Cover	
15	V588204963	1	Plug	
16	V836117329	1	Gasket	
17	V614105880	1	Seal	
	V835328899	X	Chock	Thickness 3MM
18	V836017927	1	Plug	
19	V614603540	1	O Ring	
20	V528801360	2	Screw	M8X16
21	V836120144	1	Cover	
22	V836112272	1	Gasket	
23	V529801460	1	Screw	M8X55
24	V529801560	1	Screw	M8X105
25	V529801500	4	Screw	M8X75
26	V836120989	1	Washer	
27	V836019695	2	Sleeve	
28	V836352823	1	Plate	
29	V836647774	1	Screw	
30	V529801440	1	Screw	M8X45
31	V528801380	5	Screw	M8X20
32	V836117337	1	Cover	
33	V836117338	1	Gasket	
34	V836022077	1	Gasket	
35	V836122076	1	Cover	
36	V500950800	3	Washer	
37	V836015967	1	Washer	
38	V546801860	3	Stud	M10X55
39	V640325018	1	Plug	
40	V615881822	1	Seal	
41	V836866493	1	Support	
42	V528801780	4	Screw	M10X20
43	V529801450	2	Screw	M8X50
44	V529801440	4	Screw	M8X45



1-ZH21-001-B

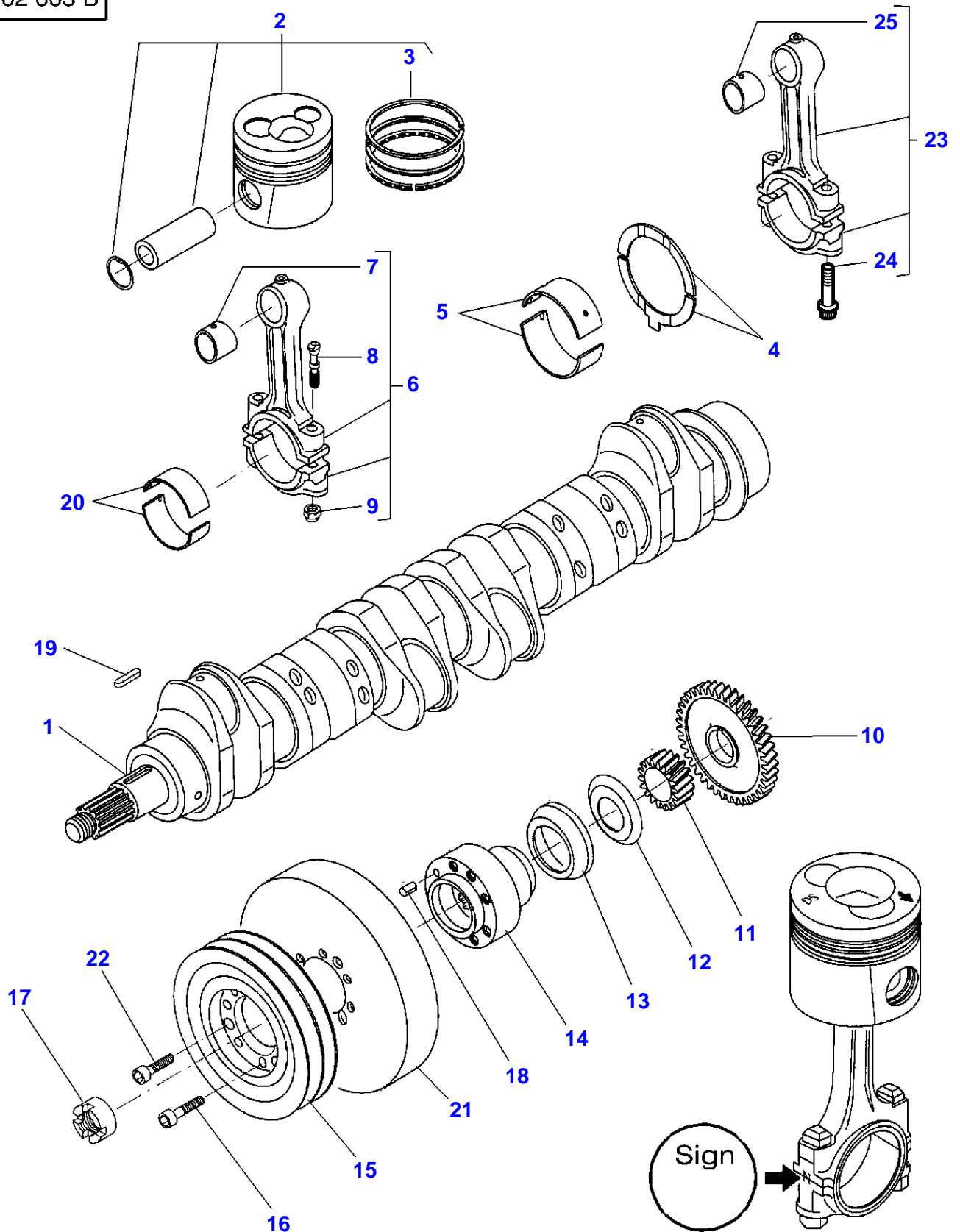


## Flywheel Housing

Item	Part Number	Qty	Description	Comments
1	V836859247	1	Housing	
2	V598359850	2	Pin	
3	V528902230	8	Screw	M12X40
4	V581705030	6	Screw	M10X30
5	<b>V614500002</b>	1	Seal	
	V836020054	X	Spacer	Thickness 2MM
6	V581905470	2	Screw	M12X50
7	V836859311	1	Plug	
8	V500951200	1	Washer	
9	V500951000	3	Washer	

MF 8240 TRACTOR - 1637376  
1-ZH02-003-B

1-ZH02-003-B



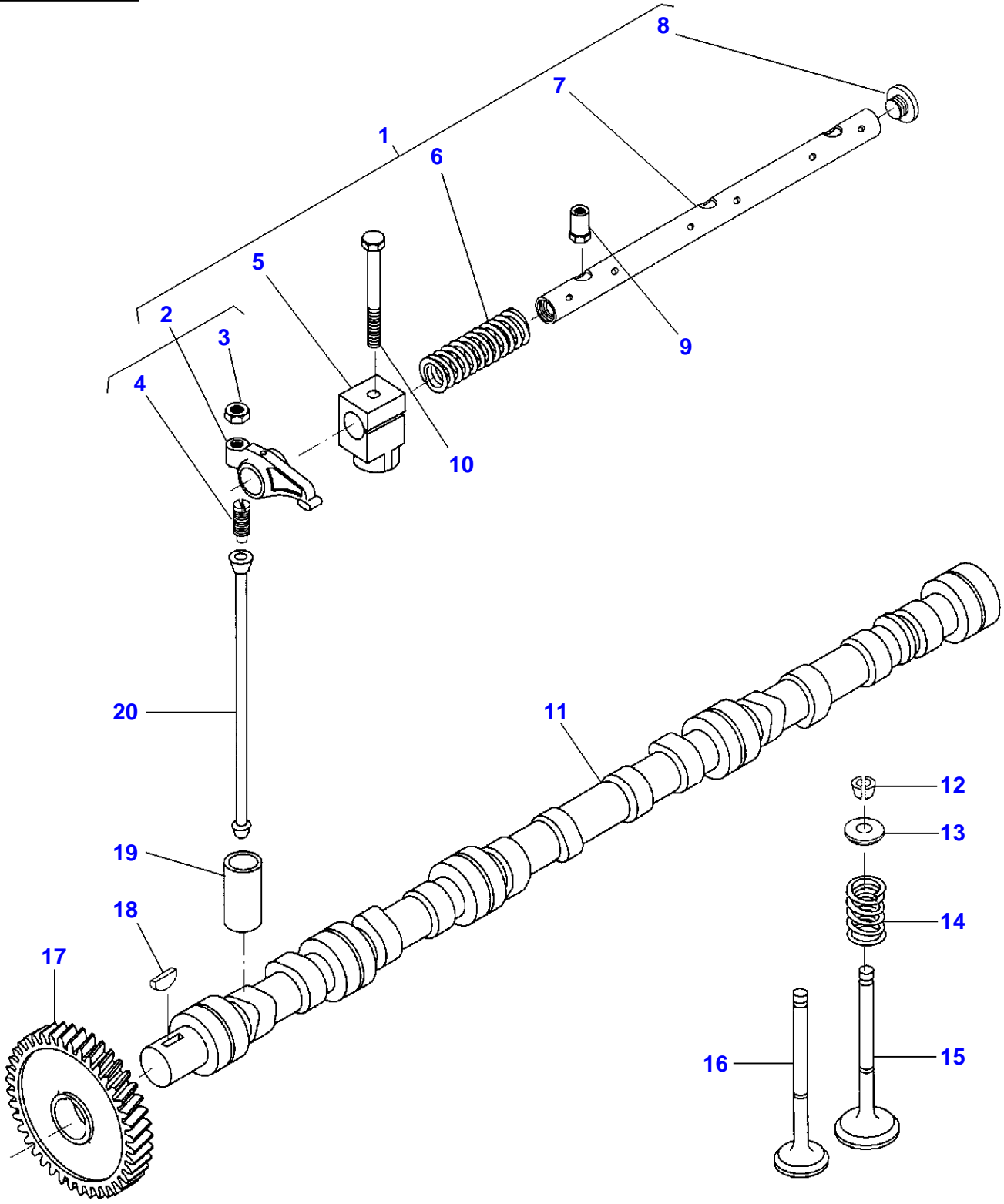
## Crankshaft, Pistons And Connecting Rods

Item	Part Number	Qty	Description	Comments
1	V836847352	1	Crankshaft	
2	V836640073	6	Piston	MF 8240
	V836666103	6	Piston	MF 8240 XTRA
3	V836640078	1	Kit, Piston Ring	(2)
4	V836119459	2	Chock	STANDARD
	V836120332	X	Thrust Washer	0,1MM
	V836120333	X	Thrust Washer	0,2MM
5	V836655514	7	Main Bearing	STANDARD Diameter 84,985MM 85,020MM
	V836655536	X	Main Bearing	Diameter 84,735MM 84,770MM
	V836655537	X	Main Bearing	Diameter 84,485MM 84,520MM
	V836655538	X	Main Bearing	Diameter 83,985MM 84,020MM
	V836655539	X	Main Bearing	Diameter 83,485MM 83,520MM
6	3638612M1	6	Conrod	Up to Serial or Engine Number L11211 2150-2169g X
	V836652104	X	Conrod	Up to Serial or Engine Number L11211 2170-2189g A
	V836652105	X	Conrod	Up to Serial or Engine Number L11211 2190-2209g B
	V836652106	X	Conrod	Up to Serial or Engine Number L11211 2210-2229g C
	V836652107	X	Conrod	Up to Serial or Engine Number L11211 2230-2249g D
	V836652108	X	Conrod	Up to Serial or Engine Number L11211 2250-2269g E
	V836652109	X	Conrod	Up to Serial or Engine Number L11211 2270-2289g H
	V836652110	X	Conrod	Up to Serial or Engine Number L11211 2290-2309g I
	<b>V836652111</b>	X	Conrod	Up to Serial or Engine Number L11211 2310-2329g J
	V836652112	X	Conrod	Up to Serial or Engine Number L11211 2330-2349g K
	V836840928	X	Kit, Conrod	Up to Serial or Engine Number L11211 2350-2369g L Replace and repair. Old not interchangeable with new V836652113
	V836652114	X	Conrod	Up to Serial or Engine Number L11211 2370-2389g M
	V836652115	X	Conrod	Up to Serial or Engine Number L11211 2390-2409g N
	V836652116	X	Conrod	Up to Serial or Engine Number L11211 2410-2429g O
	V836652117	X	Conrod	Up to Serial or Engine Number L11211 2430-2449g P
	V836652118	X	Conrod	Up to Serial or Engine Number L11211 2450-2469g R
	V836652119	X	Conrod	Up to Serial or Engine Number L11211 2470-2489g S
	V836652120	X	Conrod	Up to Serial or Engine Number L11211 2490-2509g T
	V836652121	X	Conrod	Up to Serial or Engine Number L11211 2510-2529g U
7	V836646271	1	Bush	(6) Up to Serial or Engine Number L11211
8	V836646204	2	Screw	(6) Up to Serial or Engine Number L11211
9	V836646205	2	Nut	(6) Up to Serial or Engine Number L11211
10	V836119550	1	Pinion	
11	V836122840	1	Pinion	
12	V836129781	1	Slinger	MF 8240
	V836122732	1	Ring	MF 8240 XTRA
13	V836136271	1	Bush	MF 8240
14	V836322586	1	Hub	

## Crankshaft, Pistons And Connecting Rods

Item	Part Number	Qty	Description	Comments
15	V836355026	1	Pulley	
16	V581804640	6	Screw	M8X35
17	V836847641	1	Nut	
18	V595954600	1	Pin	
19	V603345110	1	Key	
20	V836110552	6	Bearing	STANDARD Diameter 67,981MM 68,000MM
20	V836112762	X	Bearing	Diameter 67,731MM 67,750MM
20	V836112763	X	Bearing	Diameter 67,481MM 67,500MM
20	V836112765	X	Bearing	Diameter 66,981MM 67,000MM
20	V836112767	X	Bearing	Diameter 66,481MM 66,500MM
21	V836840867	1	Damper	
22	V581804620	3	Screw	M8X25
23	V836666430	X	Conrod	From Serial or Engine Number L11212 1935-1954g F
23	V836666431	X	Conrod	From Serial or Engine Number L11212 1955-1974g V
23	V836666432	X	Conrod	From Serial or Engine Number L11212 1975-1994g X
23	V836666433	X	Conrod	From Serial or Engine Number L11212 1995-2014g Y
23	V836666434	X	Conrod	From Serial or Engine Number L11212 2015-2034g W
23	V836666435	X	Conrod	From Serial or Engine Number L11212 2035-2054g Z
23	V836666436	X	Conrod	From Serial or Engine Number L11212 2055-2074g G
24	V836864141	2	Screw	(23) From Serial or Engine Number L11212
25	V836110646	1	Bush	(23) From Serial or Engine Number L11212

1-ZH22-001-A



**Buy Now**



Our support email:

[ebooklibonline@outlook.com](mailto:ebooklibonline@outlook.com)