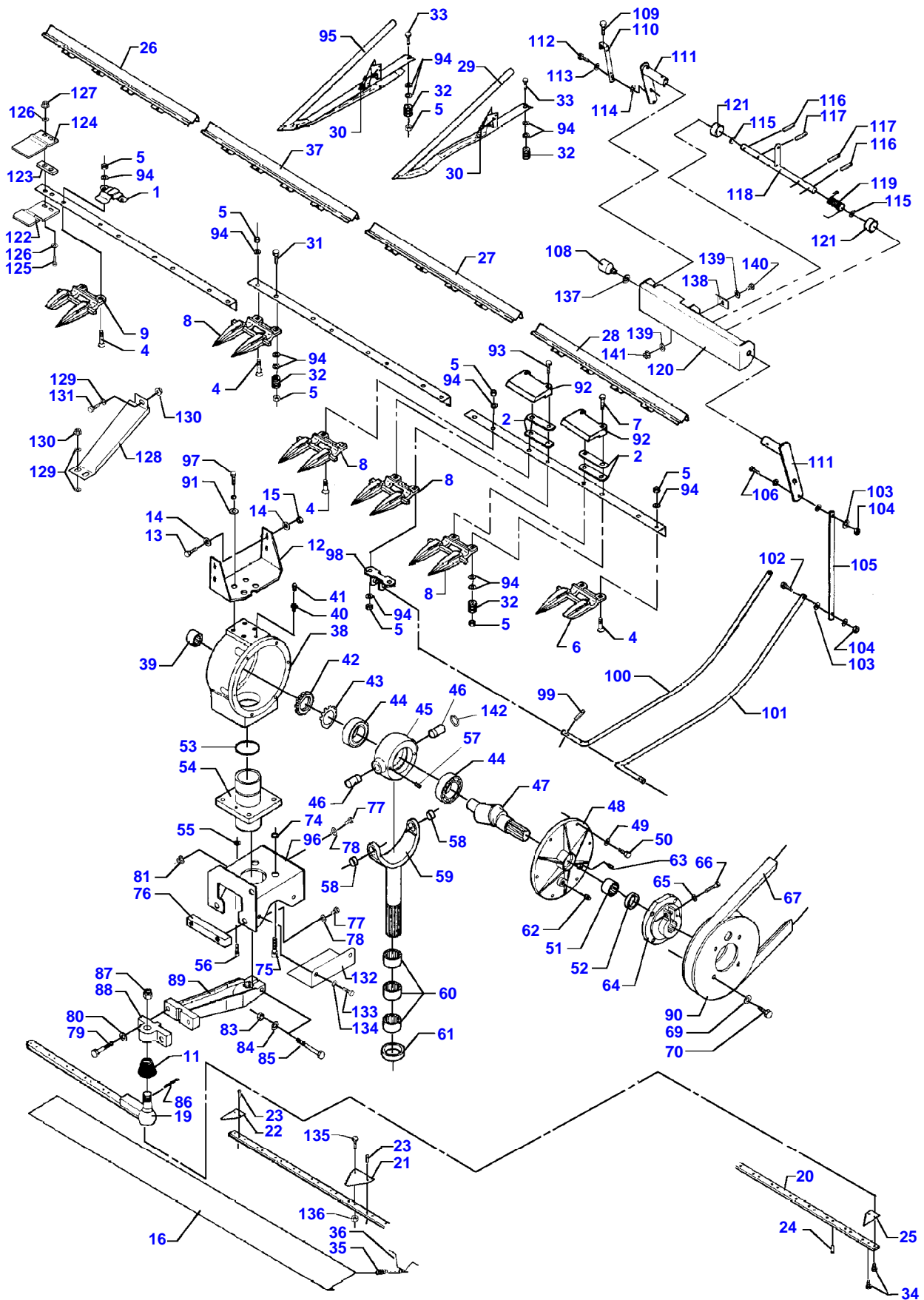


| Page Title   | Page Number |
|--|-------------|
| Knives And Fingers - Freeflow - 20-22'                               | 001-0001    |
| Table Auger Right Hand - Freeflow - 20-22'                           | 001-0002    |
| Table Auger Left Hand - Freeflow - 20-22'                            | 001-0003    |
| Guarding And Transmissions - Freeflow - 20-22'                       | 001-0004    |
| Table Housing And Guarding - Freeflow - 20-22'                       | 001-0005    |
| Knives And Fingers - Powerflow - 20-22'                              | 001-0006    |
| Table Auger Right Hand - Powerflow - 20-22'                          | 001-0007    |
| Table Auger Left Hand - Powerflow - 20-22'                           | 001-0008    |
| Guarding And Transmissions - Powerflow - 20' + (22' up to No 939566) | 001-0009    |
| Table Housing And Guarding - Powerflow - 20-22'                      | 001-0010    |
| Knives And Fingers - Powerflow - 25'                                 | 001-0011    |
| Feeder Drum Right Hand - Powerflow - 25'                             | 001-0012    |
| Feeder Drum Left Hand - Powerflow - 25'                              | 001-0013    |
| Guarding And Transmissions - Powerflow - 22' - From 939567 + 25'     | 001-0014    |
| Table Housing And Guarding - Powerflow - 25'                         | 001-0015    |
| Powerflow Band - Left Hand - 20-22'                                  | 001-0016    |
| Powerflow Band - Right Hand - 20-22'                                 | 001-0017    |
| Powerflow Band - Left Hand - 25'                                     | 001-0018    |
| Powerflow Band - Right Hand - 25'                                    | 001-0019    |
| Oilseed Rape Auger   | 001-0020    |
| Straw Dividers   | 001-0021    |
| Table Trailer - From No 0000500                                      | 001-0022    |
| Table Trailer - UP TO NO. 7374033                                    | 001-0023    |
| Lightening Bracket - UP TO NO. 7374033                               | 001-0024    |
| Electric Vertical Knife  | 001-0025    |
| Decals   | 001-0026    |
| Multi-Coupling - From 59116  | 001-0027    |

MF 7272 / 7274 / 7278 CERA COMBINES - 1637408  
D-ZAZA-008-A



| Item | Part Number | Qty | Description      | Comments                             |
|------|-------------|-----|------------------|--------------------------------------|
| 1    | D28283934   | 19  | Clip             | 20' - 6,16M                          |
|      | D28283934   | 21  | Clip             | 22' - 6,77M                          |
| 2    | D28230292   | 4   | Shim             |                                      |
| 4    | D40551500   | X   | Bolt             |                                      |
| 5    | D41010800   | X   | Nut              |                                      |
| 6    | D44104700   | 1   | Finger           | Left Hand                            |
| 7    | D40067600   | X   | Screw            |                                      |
| 8    | D44104500   | 39  | Finger           | 20' - 6,16M                          |
|      | D44104500   | 43  | Finger           | 22' - 6,77M                          |
| 9    | D44104600   | 1   | Finger           | Right Hand                           |
| 11   | D44120500   | 1   | Cap              |                                      |
| 12   | D28283104   | 1   | Support          | Up to Serial or Engine Number 939559 |
| 13   | 339337X1    | 2   | Hex. Sock. Screw | M8 X 30                              |
| 14   | D20400414   | 4   | Washer           |                                      |
| 15   | 394367X1    | 2   | Locknut          |                                      |
| 16   | D28230830   | 2   | Guard            | 22' - 6,77M                          |
|      | D28230831   | 1   | Guard            | 20' - 22'<br>6,16M - 6,77M           |
|      | D28200314   | 1   | Guard            | 20' - 6,16M                          |
|      | D28200738   | 1   | Guard            | 20' - 6,16M                          |
| 19   | D28283010   | 2   | Blade            | 20' - 6,16M                          |
|      | D28283865   | 2   | Blade            | 22' - 6,77M                          |
|      | D28283011   | 2   | Knife Head       |                                      |
| 20   | D28281492   | 2   | Knife Back       | 20' - 6,16M                          |
|      | D28281493   | 2   | Knife Back       | 22' - 6,77M                          |
|      | D44103700   | X   | Section          | [D]                                  |
| 22   | D44103800   | 2   | Half Section     |                                      |
| 23   | D41306100   | X   | Rivet            | [D]                                  |
| 24   | D41306200   | X   | Rivet            | [D]                                  |
| 25   | D44104000   | 2   | Half Section     | Left Hand                            |
| 26   | D18283701   | 1   | Stone Trap       |                                      |
| 27   | D18283705   | 1   | Stone Trap       | 22' - 6,77M                          |
|      | D18283706   | 1   | Stone Trap       | 20' - 6,16M                          |
| 28   | D18283702   | 1   | Stone Trap       |                                      |
| 29   | D49040900   | X   | Ear Lifter       |                                      |
| 30   | D49040400   | X   | Spring           |                                      |
| 31   | 339019X1    | X   | Hex. Sock. Screw | M10 X 50                             |
| 32   | D49040600   | X   | Roller           |                                      |
| 33   | 339019X1    | X   | Hex. Sock. Screw | M10 X 50                             |
| 34   | 339560X1    | 2   | Hex. Sock. Screw | M6 X 16                              |
| 35   | D26500317   | 2   | Spring           | (16)                                 |
| 36   | D28230841   | 2   | Spring           | (16)                                 |
| 37   | D18283704   | 1   | Stone Trap       | 22' - 6,77M                          |
| 38   | D28281324   | 1   | Wobble Drive     | [B]<br>Cpl.                          |
|      | D44127800   | 1   | Box              | [B]<br>(38)                          |
|      | D28281324   | 1   | Wobble Drive     | [C]<br>(38)<br>Cpl.                  |
|      | D44126500   | 1   | Box              | [C]<br>(38)                          |
| 39   | D44128800   | 1   | Bearing Needle   | (38)                                 |
| 40   | D44129400   | 1   | Connector        | (38)                                 |
| 41   | D46116500   | 1   | Valve.           | (38)                                 |
| 42   | D44129100   | 1   | Nut              | (38)                                 |
| 43   | D44129200   | 1   | Washer           | (38)                                 |
| 44   | D41668400   | 2   | Bearing Roller   | (38)                                 |
| 45   | D44127900   | 1   | Housing          | [B]<br>(38)                          |
|      | D44126400   | 1   | Housing          | [C]<br>(38)                          |
| 46   | D44128000   | 2   | Journal          | [B]<br>(38)                          |
|      | D44125900   | 1   | Journal          | [C]<br>(38)                          |
| 47   | D44129300   | 1   | Shaft            | (38)                                 |
| 48   | D44128200   | 1   | Cover            | [B]<br>(38)                          |
|      | D44126300   | 1   | Cover            | [C]<br>(38)                          |

| Item | Part Number      | Qty | Description      | Comments               |
|------|------------------|-----|------------------|------------------------|
| 49   | D41102100        | 6   | Washer           | (38)<br>A8             |
| 50   | 339123X1         | 6   | Hex. Sock. Screw | (38)<br>M8 X 20        |
| 51   | D41669700        | 1   | Bearing Needle   | (38)                   |
| 52   | D45412000        | 1   | Gasket           | (38)                   |
| 53   | D45481500        | 1   | O Ring           | (38)                   |
| 54   | D44128300        | 1   | Bearing Carrier  | [B]<br>(38)            |
| 54   | D44126200        | 1   | Bearing Carrier  | [C]<br>(38)            |
| 55   | D41102100        | 2   | Washer           | (38)<br>A8             |
| 56   | D40697200        | 2   | Screw            | [B]<br>(38)            |
| 56   | D40697700        | 2   | Screw            | [C]<br>(38)            |
| 57   | D40639600        | 2   | Pin              | [B]<br>(38)            |
| 58   | D44128400        | 2   | Bush             | [B]<br>(38)            |
| 58   | D44126100        | 2   | Bush             | [C]<br>(38)            |
| 59   | D44128500        | 1   | Yoke             | [B]<br>(38)            |
| 59   | D44126000        | 1   | Yoke             | [C]<br>(38)            |
| 60   | D41669800        | 3   | Bearing Needle   | (38)                   |
| 61   | D45409500        | 1   | Gasket           | (38)                   |
| 62   | D44128600        | 1   | Plug             | (38)                   |
| 63   | D45236200        | 1   | Plug             | (38)                   |
| 64   | D44127100        | 1   | Hub              | (38)                   |
| 65   | D41100900        | 1   | Spring Washer    | (38)                   |
| 66   | D40694000        | 1   | Screw            | (38)                   |
| 67   | <b>D41985600</b> | 1   | Belt             |                        |
| 69   | D20400426        | 4   | Washer           |                        |
| 70   | 1440716X1        | 4   | Hex. Sock. Screw | M12 X 30               |
| 74   | D20400523        | 4   | Spacer           |                        |
| 75   | D40465400        | 4   | Screw            |                        |
| 76   | D28283103        | 1   | Clamp            |                        |
| 77   | 390419X1         | 5   | Hex. Sock. Screw | M16 X 40               |
| 78   | D20400461        | 5   | Washer           |                        |
| 79   | D40698400        | 2   | Screw            |                        |
| 80   | D20400438        | 2   | Washer           |                        |
| 81   | 1442739X1        | 2   | Locknut          | M16                    |
| 83   | 1442190X1        | 1   | Locknut          | M12                    |
| 84   | D20400428        | 1   | Washer           |                        |
| 85   | 390826X1         | 1   | Hex. Sock. Screw | M12 X 100              |
| 86   | 391423X1         | 1   | Split Pin        | Diameter 4 X 40        |
| 87   | <b>D41054300</b> | 1   | Nut              |                        |
| 88   | D44126900        | 1   | Flange           |                        |
| 89   | D44127000        | 1   | Swivel Arm       |                        |
| 90   | D44127200        | 1   | Pulley           |                        |
| 91   | D28280986        | 4   | Washer           |                        |
| 92   | <b>D28260362</b> | X   | Clip             |                        |
| 93   | 1441671X1        | X   | Screw Special    | M10 X 50               |
| 94   | D20400419        | X   | Washer           |                        |
| 95   | D49040300        | X   | Ear Lifter       |                        |
| 96   | D18283109        | 1   | Support          |                        |
| 97   | 339337X1         | 4   | Hex. Sock. Screw | M8 X 30                |
| 98   | D28284356        | 4   | Fitting          | [A]                    |
| 99   | 339662X1         | 8   | Pin              | [A]<br>Diameter 6 X 28 |
| 100  | D28284257        | 2   | Sensor           | [A]                    |
| 101  | D28284258        | 2   | Sensor           | [A]                    |
| 102  | D40405300        | 4   | Screw            | [A]                    |
| 103  | D20400506        | 20  | Washer           | [A]                    |
| 104  | 394367X1         | 8   | Locknut          | [A]<br>M8              |
| 105  | D28284223        | 4   | Link             | [A]                    |
| 106  | 339009X1         | 4   | Hex. Sock. Screw | [A]<br>M8 X 35         |

| Item | Part Number | Qty | Description      | Comments                  |
|------|-------------|-----|------------------|---------------------------|
| 108  | D28780523   | 2   | Potentiometer    | [A]                       |
| 109  | D40464900   | 2   | Screw            | [A]                       |
| 110  | D28780845   | 2   | Rod              | [A]                       |
| 111  | D28284225   | 4   | Lever            | AUTO LEVEL<br>22' - 6,77M |
| 111  | D28284234   | 4   | Lever            | [A]                       |
| 112  | 339804X1    | 2   | Hex. Sock. Screw | [A]<br>M6 X 25            |
| 113  | D20400404   | 2   | Washer           | [A]                       |
| 114  | 1441462X1   | 2   | Locknut          | [A]<br>M6                 |
| 115  | D28200551   | 4   | Washer           | [A]                       |
| 116  | D42611900   | 8   | Pin              | [A]                       |
| 117  | 339052X1    | 4   | Pin              | [A]<br>Diameter 6 X 40    |
| 118  | D28284232   | 2   | Shaft            | [A]                       |
| 119  | D28284389   | 2   | Spring           | [A]                       |
| 120  | D28284229   | 2   | Support          | AUTO LEVEL<br>22' - 6,77M |
| 121  | D28284456   | 4   | Bush             | [A]                       |
| 122  | D28281576   | 1   | Plate            |                           |
| 123  | D28281575   | 1   | Shim             |                           |
| 124  | D28281574   | 1   | Plate            |                           |
| 125  | 339010X1    | 2   | Hex. Sock. Screw | M8 X 40                   |
| 126  | D20400506   | 2   | Washer           |                           |
| 127  | 394367X1    | 2   | Locknut          | M8                        |
| 128  | D28281572   | 1   | Guard            |                           |
| 129  | D20400506   | 3   | Washer           |                           |
| 130  | D41017500   | 3   | Locknut          |                           |
| 131  | 339761X1    | 1   | Hex. Sock. Screw | M8 X 25                   |
| 132  | D28281706   | 1   | Guard            |                           |
| 133  | 339124X1    | 2   | Hex. Sock. Screw | M8 X 16                   |
| 134  | D20400506   | 2   | Washer           |                           |
| 135  | 339560X1    | X   | Hex. Sock. Screw | M6 X 16                   |
| 136  | 1441462X1   | X   | Locknut          | M6                        |
| 137  | D20400441   | 1   | Washer           |                           |
| 138  | D28284268   | 2   | Stop             |                           |
| 139  | D20400416   | 4   | Washer           |                           |
| 140  | 339123X1    | 2   | Hex. Sock. Screw | M8 X 20                   |
| 141  | 394367X1    | 2   | Locknut          | M8                        |
| 142  | D45483000   | 1   | O Ring           | [C]                       |

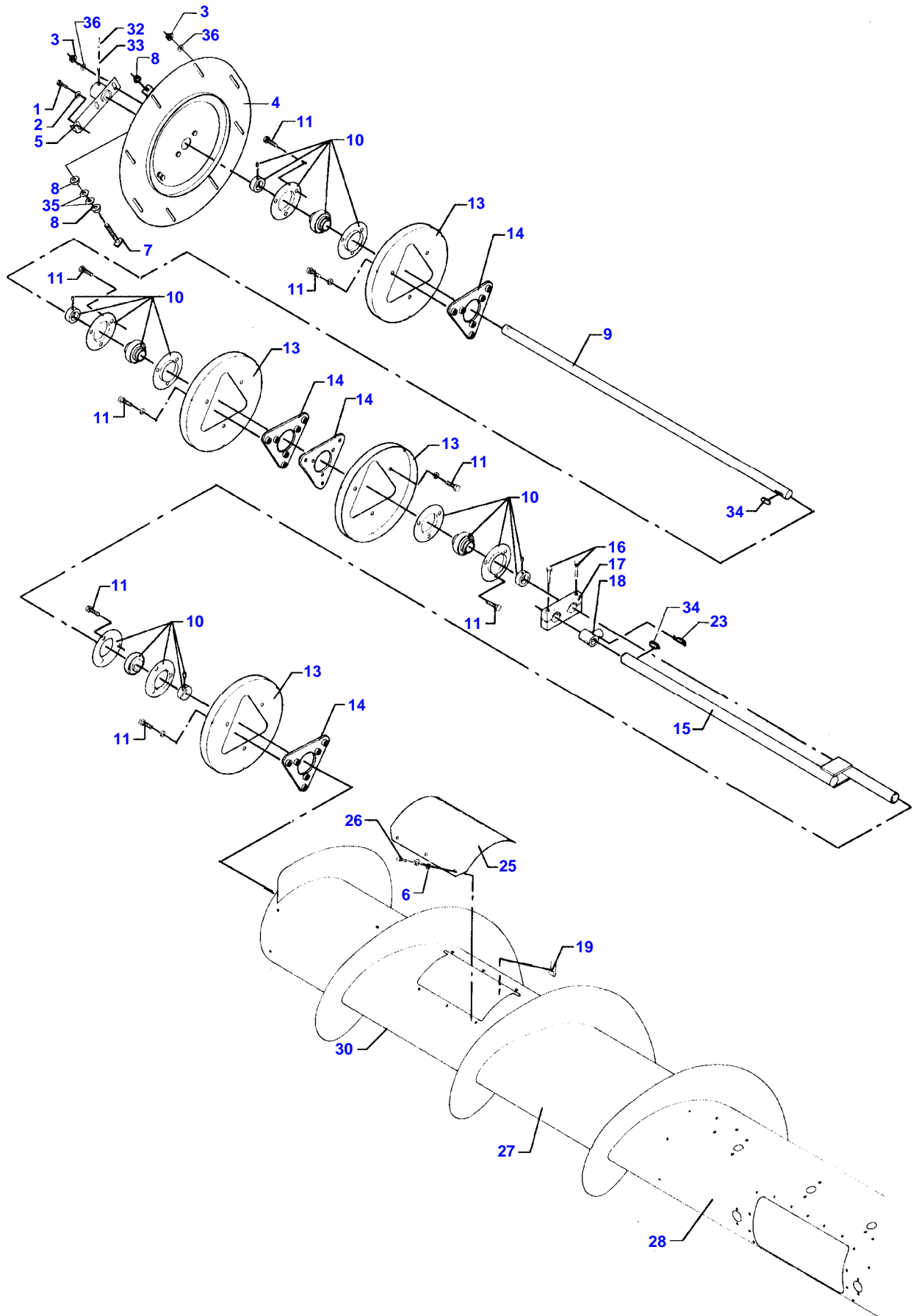
FOOTNOTE [A] OPTIONAL EQUIPMENT AUTO LEVEL

FOOTNOTE [B] USED ONLY IN KNIFE DRIVES WITH 6 HOLES IN BEARING HOUSING BOTTOM

FOOTNOTE [C] USED ONLY IN KNIFE DRIVES WITH 8HOLES IN BEARING HOUSING BOTTOM AND BULGES SIDES

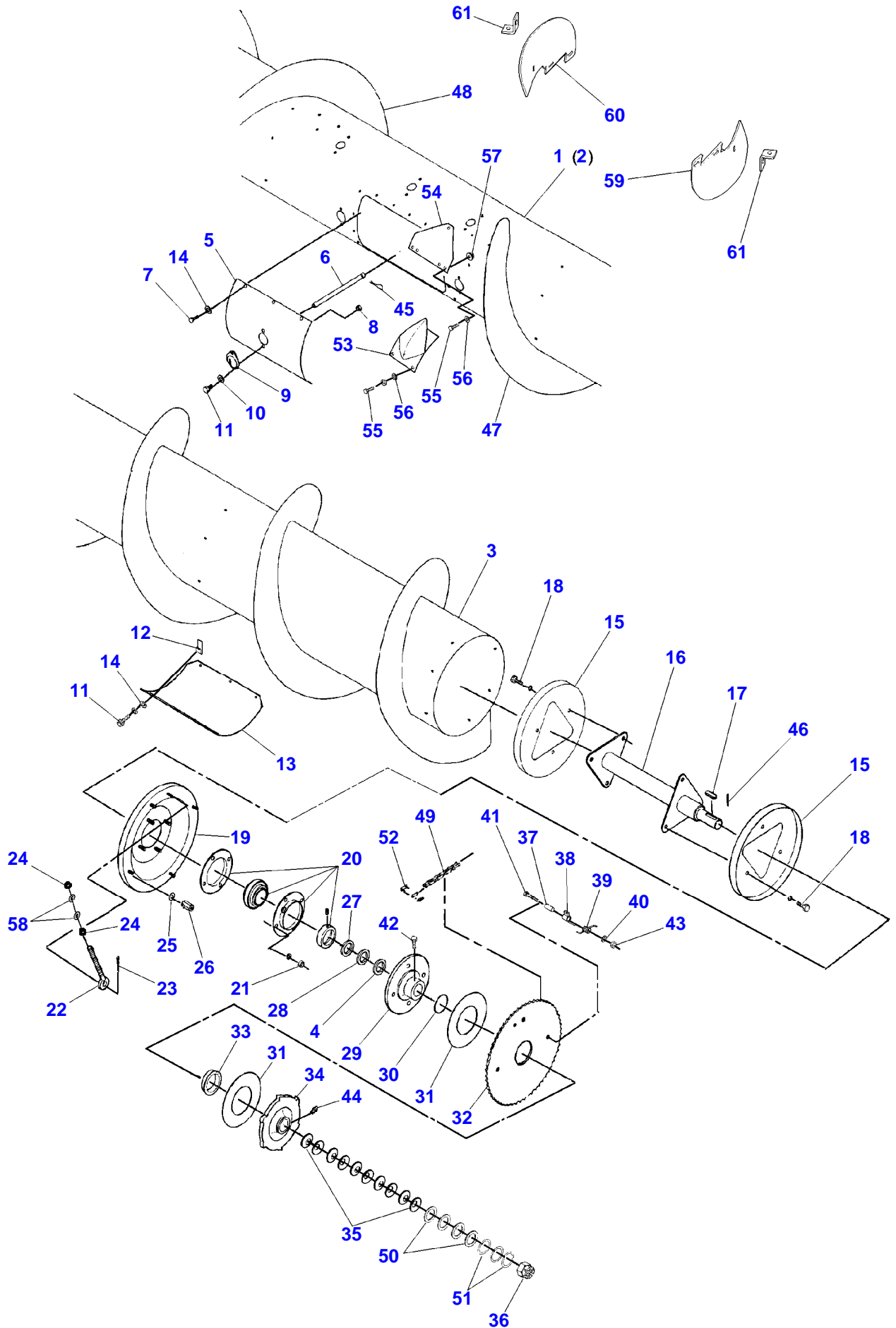
FOOTNOTE [D] OPTIONAL

MF 7272 / 7274 / 7278 CERA COMBINES - 1637408  
D-ZAZB-004-A



| Item | Part Number      | Qty | Description      | Comments   |
|------|------------------|-----|------------------|--|
| 1    | 339124X1         | 1   | Hex. Sock. Screw | M8 X 16  |
| 2    | D20400506        | 1   | Washer           |  |
| 3    | D41017500        | 10  | Locknut          |  |
| 4    | D18280040        | 1   | Plate            | Right Hand   |
| 5    | D28283029        | 1   | Adjuster         |  |
| 6    | 391038X1         | 6   | Washer           |  |
| 7    | D28211023        | 1   | Bolt             |  |
| 8    | 1440329X1        | 2   | Locknut          | M10  |
| 9    | D28283037        | 1   | Shaft            | 20' - 6,16M<br>Up to Serial or Engine Number 940147            |
|      | D28283871        | 1   | Shaft            | 22' - 6,77M<br>Up to Serial or Engine Number 940147            |
|      | D28284655        | 1   | Shaft            | 20' - 6,16M<br>From Serial or Engine Number 940148             |
|      | D28284661        | 1   | Crankshaft       | 22' - 6,77M<br>From Serial or Engine Number 940148             |
| 10   | D41707800        | 4   | Bearing          |  |
| 11   | 339814X1         | 24  | Hex. Sock. Screw | M10 X 35   |
| 13   | D28280014        | 4   | Plate            |  |
| 14   | D28283847        | 4   | Bearing Plate    |  |
| 15   | D28285977        | 1   | Crankshaft       |  |
| 16   | 3009498X1        | 2   | Hex. Sock. Screw | M10 X 55   |
| 17   | D28283039        | 1   | Arm              |  |
| 18   | <b>D28251831</b> | 15  | Bearing Carrier  |  |
| 19   | D43428200        | 6   | Nut              | M6   |
| 23   | D28283853        | 15  | Hair Pin         |  |
| 25   | D18283070        | 1   | Cover            | Up to Serial or Engine Number 939559                           |
|      | D18285312        | 1   | Cover            | From Serial or Engine Number 939560                            |
| 26   | 339666X1         | 6   | Hex. Sock. Screw | M6 X 20  |
| 27   | D18283125        | 1   | Table Auger      | 20' - 6,16M<br>Up to Serial or Engine Number 940147            |
|      | D18283870        | 1   | Table Auger      | 22' - 6,77M<br>Up to Serial or Engine Number 940147            |
|      | D18285991        | 1   | Table Auger      | 20' - 6,16M<br>From Serial or Engine Number 940148             |
|      | D18285992        | 1   | Table Auger      | 22' - 6,77M<br>From Serial or Engine Number 940148             |
| 28   | D28283012        | 1   | Body             |  |
| 30   | D28283034        | 1   | Body             | Right Hand 20' - 6,16M<br>Up to Serial or Engine Number 940147 |
|      | D28286012        | 1   | Body             | Right Hand 20' - 6,16M<br>From Serial or Engine Number 940148  |
|      | D28283876        | 1   | Body             | Right Hand 22' - 6,77M<br>Up to Serial or Engine Number 940147 |
|      | D28286013        | 1   | Body             | Right Hand 22' - 6,77M<br>From Serial or Engine Number 940148  |
| 32   | 1441645X1        | 1   | Pin              | Diameter 8 X 55  |
| 33   | D42625300        | 1   | Pin              | Diameter 13 X 56   |
| 34   | 339441X1         | 2   | Key Parallel     |  |
| 35   | D20400471        | 2   | Washer           |  |
| 36   | D20400414        | X   | Washer           |  |

MF 7272 / 7274 / 7278 CEREAL COMBINES - 1637408  
D-ZAZC-008-A



D-ZAZC-008-A

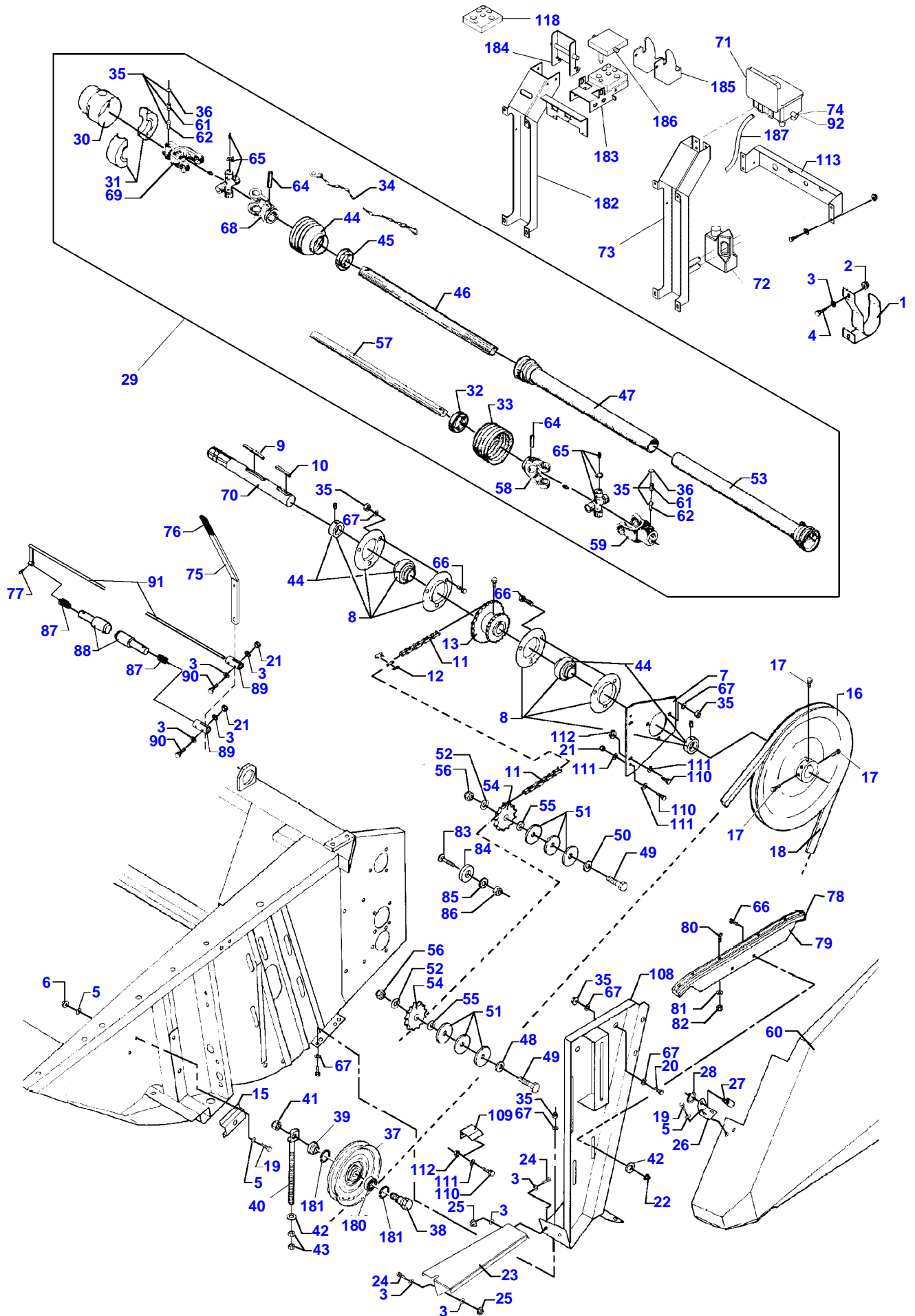


| Item | Part Number      | Qty | Description      | Comments  |
|------|------------------|-----|------------------|---|
| 1    | D18283125        | 1   | Table Auger      | 20' - 6,16M<br>Up to Serial or Engine Number 940147 |
|      | D18283870        | 1   | Table Auger      | 22' - 6,77M<br>Up to Serial or Engine Number 940147 |
|      | D18285991        | 1   | Table Auger      | 20' - 6,16M<br>From Serial or Engine Number 940148  |
|      | D18285992        | 1   | Table Auger      | 22' - 6,77M<br>From Serial or Engine Number 940148  |
| 2    | D28283012        | 1   | Body             |   |
| 3    | D28283875        | 1   | Body             | Left Hand 22' - 6,77M                               |
|      | D28286006        | 1   | Body             | Left Hand 20' - 6,16M                               |
| 4    | D41653500        | X   | Washer           | [A]   |
| 5    | D18283078        | 1   | Cover            |   |
| 6    | <b>D28283815</b> | 15  | Finger           |   |
| 7    | 339560X1         | X   | Hex. Sock. Screw | M6 X 16   |
| 8    | 1441462X1        | X   | Locknut          | M6  |
| 9    | <b>D28283060</b> | 15  | Bush             |   |
| 10   | D20400404        | X   | Washer           |   |
| 11   | 339666X1         | X   | Hex. Sock. Screw | M6 X 20   |
| 12   | D43428200        | 6   | Nut              | M6  |
| 13   | D18283070        | 1   | Cover            | Up to Serial or Engine Number 939559                |
|      | D18285312        | 1   | Cover            | From Serial or Engine Number 939560                 |
| 14   | 391038X1         | 6   | Washer           |   |
| 15   | D28280014        | 2   | Plate            |   |
| 16   | D28283007        | 1   | Drive Shaft      |   |
| 17   | D43106800        | 1   | Key              |   |
| 18   | 3009491X1        | 6   | Hex. Sock. Screw | M10 X 20  |
| 19   | D18283053        | 1   | Plate            |   |
| 20   | D41716500        | 1   | Bearing          |   |
| 21   | 3009695X1        | 4   | Nut              | M12   |
| 22   | D28281387        | 1   | Screw            |   |
| 23   | 3000197X1        | 1   | Split Pin        | Diameter 4 X 35                                     |
| 24   | 339402X1         | 2   | Nut              | M10   |
| 25   | D20400415        | 4   | Washer           |   |
| 26   | D28280729        | 4   | Nut              |   |
| 27   | D41653500        | X   | Washer           |   |
| 28   | D41653500        | 4   | Washer           |   |
| 29   | D28283004        | 1   | Washer           |   |
| 30   | D45481600        | 1   | O Ring           |   |
| 31   | <b>D45904300</b> | 2   | Facing           |   |
| 32   | D28283008        | 1   | Sprocket         | Up to Serial or Engine Number 937852                |
|      | D28286047        | 1   | Sprocket         | From Serial or Engine Number 937853                 |
| 33   | D28283000        | 1   | Insert           | Up to Serial or Engine Number 937852                |
|      | D28286049        | 1   | Insert           | From Serial or Engine Number 937853                 |
| 34   | D28286166        | 1   | Clutch Disc      |   |
| 35   | D41112400        | 10  | Washer           |   |
| 36   | D41054100        | 1   | Castle Nut       |   |
| 37   | D28281431        | 1   | Spacer           |   |
| 38   | D28281432        | 1   | Support          |   |
| 39   | D28283006        | 1   | Spring           |   |
| 40   | D20400507        | 1   | Spacer           |   |
| 41   | 3009498X1        | 1   | Hex. Sock. Screw | M10 X 55  |
| 42   | 339761X1         | 1   | Hex. Sock. Screw | M8 X 25   |
| 43   | 1440329X1        | 1   | Locknut          | M10   |
| 44   | 1441858X1        | 1   | Grease Nipple    | M6  |
| 45   | D28283853        | 15  | Hair Pin         |   |
| 46   | 354066X1         | 1   | Split Pin        | 5/32" X 1   |
| 47   | D28280005        | 1   | Auger            | 20' - 6,16M<br>Up to Serial or Engine Number 939455 |
|      | D28280067        | 1   | Auger            | 22' - 6,77M<br>Up to Serial or Engine Number 939455 |
|      | D28286019        | 1   | Auger            | 20' - 6,16M<br>From Serial or Engine Number 939649  |
|      | D28286021        | 1   | Auger            | 22' - 6,77M<br>From Serial or Engine Number 939649  |
| 48   | D28280006        | 1   | Auger            | 20' - 6,16M<br>Up to Serial or Engine Number 939455 |
|      | D28280068        | 1   | Auger            | 22' - 6,77M<br>Up to Serial or Engine Number 939455 |
|      | D28286018        | 1   | Auger            | 20' - 6,16M<br>From Serial or Engine Number 939649  |

| Item | Part Number      | Qty | Description      | Comments   |
|------|------------------|-----|------------------|--|
| 48   | D28286020        | 1   | Auger            | 22' - 6,77M<br>From Serial or Engine Number 939649 |
| 49   | <b>D42329300</b> | 1   | Chain            |  |
| 50   | D20400520        | 4   | Spacer           |  |
| 51   | D20400522        | 3   | Spacer           |  |
| 52   | <b>D42365100</b> | 1   | Link             |  |
| 53   | D28283294        | 4   | Spike            |  |
| 54   | D28281694        | 4   | Threaded Part    |  |
| 55   | 339123X1         | 20  | Hex. Sock. Screw | M8 X 20  |
| 56   | D20400506        | 20  | Washer           |  |
| 57   | 394367X1         | 12  | Locknut          | M8   |
| 58   | D20400471        | 2   | Washer           |  |
| 59   | D28285967        | 1   | Auger Extension  |  |
| 60   | D28285968        | 1   | Auger Extension  |  |
| 61   | D28285981        | 2   | Bracket          |  |

FOOTNOTE [A] OPTIONAL

MF 7272 / 7274 / 7278 CERA COMBINES - 1637408  
D-ZAZD-009-B



D-ZAZD-009-B

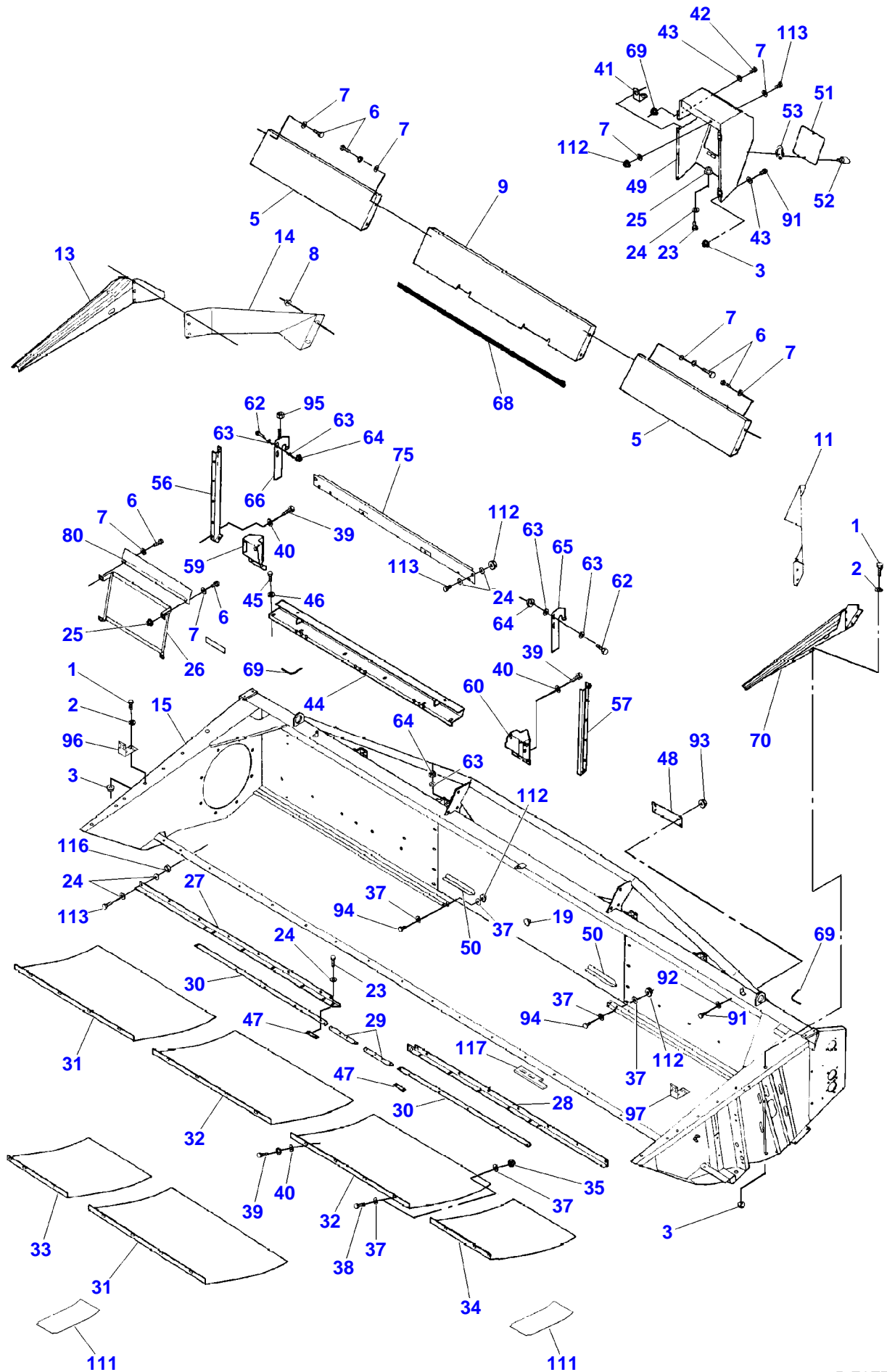
| Item | Part Number      | Qty | Description         | Comments  |
|------|------------------|-----|---------------------|---|
| 1    | D28281345        | 1   | Stirrup             |   |
| 2    | 394367X1         | X   | Locknut             | M8  |
| 3    | D20400506        | X   | Washer              |   |
| 4    | 339124X1         | X   | Hex. Sock.<br>Screw | M8 X 16   |
| 5    | 391038X1         | X   | Washer              |   |
| 6    | 1441462X1        | X   | Locknut             | M6  |
| 7    | D28285302        | 1   | Bearing Carrier     |   |
| 8    | D41707800        | 2   | Bearing             |   |
| 9    | D43114900        | 1   | Key                 |   |
| 10   | 1441579X1        | 1   | Key Parallel        |   |
| 11   | <b>D42329300</b> | 1   | Chain               |   |
| 12   | <b>D42365100</b> | 1   | Link                |   |
| 13   | D28280225        | 1   | Sprocket            |   |
| 15   | D28281578        | 1   | Retainer            |   |
| 16   | D28285423        | 1   | Pulley              |   |
| 17   | D40697900        | 3   | Screw               |   |
| 18   | <b>D41985600</b> | 1   | Belt                |   |
| 19   | 339666X1         | X   | Hex. Sock.<br>Screw | M6 X 20   |
| 20   | 3009492X1        | 4   | Hex. Sock.<br>Screw | M10 X 25  |
| 21   | 394367X1         | X   | Locknut             | M8  |
| 22   | 1440329X1        | X   | Locknut             | M10   |
| 23   | D28281570        | 1   | Plate               |   |
| 24   | 339761X1         | 3   | Hex. Sock.<br>Screw | M8 X 25   |
| 25   | 394367X1         | 3   | Locknut             | M8  |
| 26   | D28281577        | 1   | Angle.              |   |
| 27   | D43427500        | 1   | Pin                 |   |
| 28   | 1440988X1        | 1   | Circlip             |   |
| 29   | D45609100        | 1   | Shaft               | 20' - 6,16M   |
|      | D45609300        | 1   | Shaft               | 22' - 6,77M   |
| 30   | D45632900        | 1   | Bush                |   |
| 31   | D45633000        | 1   | Ring                |   |
| 32   | D45630700        | 1   | Ring                |   |
| 33   | D45630500        | 1   | Guard               |   |
| 34   | D45681800        | 2   | Chain               |   |
| 35   | D45632400        | 2   | Tube                |   |
| 36   | D45645700        | 2   | Washer              |   |
| 37   | D28760574        | 1   | Pulley              | Valid from machine/table no,can be used in new as well as in older machines<br>938215 |
| 38   | D28760156        | 1   | Screw               |   |
| 39   | D28760155        | 1   | Bush                |   |
| 40   | D28260181        | 1   | Bolt                |   |
| 41   | 1442739X1        | X   | Locknut             | M16   |
| 42   | D20400416        | X   | Washer              |   |
| 43   | 339402X1         | X   | Nut                 | M10   |
| 44   | D45630400        | 1   | Guard               |   |
| 45   | D45630600        | 1   | Ring                |   |
| 46   | D45631100        | 1   | Tube                | 20' - 6,16M   |
|      | D45633700        | 1   | Tube                | 22' - 6,77M   |
| 47   | D45631900        | 1   | Tube                | 20' - 6,16M   |
|      | D45633900        | 1   | Tube                | 22' - 6,77M   |
| 48   | D28181284        | 1   | Washer              |   |
| 49   | 391889X1         | 2   | Hex. Sock.<br>Screw | M16 X 70  |
| 50   | D20400463        | 1   | Washer              |   |
| 51   | D20400460        | 6   | Washer              |   |
| 52   | D20400459        | 2   | Washer              |   |
| 53   | D45632300        | 1   | Tube                |   |
| 54   | D41716800        | 2   | Tightener           |   |
| 55   | D20400516        | X   | Spacer              | [B]   |
| 56   | 1442739X1        | 2   | Locknut             | M16   |
| 57   | D45631500        | 1   | Tube                |   |
| 58   | D45630100        | 1   | Yoke                |   |
| 59   | D45633200        | 1   | Yoke                |   |
| 60   | D18281583        | 1   | Guard               |   |
| 61   | D45667300        | 2   | Spring              |   |
| 62   | D45665300        | 2   | Pin                 |   |
| 64   | D42619100        | 2   | Pin                 |   |

| Item | Part Number | Qty | Description         | Comments  |
|------|-------------|-----|---------------------|---|
| 65   | D45630300   | 2   | Hub                 |   |
| 66   | 1442456X1   | 8   | Screw Special       | M10 X 30  |
| 67   | D20400419   | X   | Washer              |   |
| 68   | D45630200   | 1   | Yoke                |   |
| 69   | D45633100   | 1   | Yoke                |   |
| 70   | D28284404   | 1   | Shaft               |   |
| 71   | D28785641   | 1   | Clutch              | [A]<br>Up to Serial or Engine Number 59115  |
| 72   | D45148900   | 1   | Container           | [A]<br>Up to Serial or Engine Number 59115  |
| 73   | D28285296   | 1   | Bracket             | [A]<br>Up to Serial or Engine Number 59115  |
| 74   | D45140037   | 2   | Screw               | [A]   |
| 75   | D28285536   | 1   | Lever               |   |
| 76   | D43484900   | 1   | Lever               |   |
| 77   | D42612200   | X   | Pin                 |   |
| 78   | D28280787   | 1   | Rail                |   |
| 79   | D18281365   | 1   | Crossmember         |   |
| 80   | D40609300   | 6   | Screw               |   |
| 81   | D20400466   | 6   | Washer              |   |
| 82   | D41087200   | 6   | Locknut             | M4  |
| 83   | D40073100   | 1   | Screw               |   |
| 84   | D28280981   | 1   | Spacer              |   |
| 85   | D20400459   | 1   | Washer              |   |
| 86   | 1442739X1   | 1   | Locknut             | M16   |
| 87   | D27100794   | 2   | Spring              |   |
| 88   | D28283200   | 1   | Shaft               |   |
| 89   | D28285535   | 2   | Fork                |   |
| 90   | 339168X1    | X   | Hex. Sock.<br>Screw | M8 X 50   |
| 91   | D28285531   | 1   | Journal             |   |
| 92   | D45140038   | 2   | Ring                | [A]<br>Up to Serial or Engine Number 59115  |
| 108  | D18283090   | 1   | Plate               |   |
| 109  | D18283098   | 1   | Fitting             |   |
| 110  | 339123X1    | X   | Hex. Sock.<br>Screw | M8 X 20   |
| 111  | D20400506   | X   | Washer              |   |
| 112  | 394367X1    | X   | Locknut             | M8  |
| 113  | D18285215   | 1   | Bracket             | Up to Serial or Engine Number 59115   |
| 118  | D28285492   | 1   | Rubber Patch        | From Serial or Engine Number 59116  |
| 180  | SKF62042RS  | 1   | Bear. 6204 2rs      | Valid from machine/table no,can be used in new as well as in older machines<br>938215 |
| 181  | 339199X1    | 2   | Circlip             | Valid from machine/table no,can be used in new as well as in older machines<br>938215 |
| 182  | D28285518   | 1   | Bracket             | From Serial or Engine Number 59116  |
| 183  | D28285519   | 1   | Support             | From Serial or Engine Number 59116<br>CPL.  |
| 184  | D28285497   | 1   | Support             | From Serial or Engine Number 59116  |
| 185  | D28285494   | 1   | Stirrup             | From Serial or Engine Number 59116  |
| 186  | D45140044   | 1   | Clutch              | From Serial or Engine Number 59116  |
| 187  | D45702000   | 1   | Hose                |   |

FOOTNOTE [A] OPTIONAL EQUIPMENT

FOOTNOTE [B] OPTIONAL

MF 7272 / 7274 / 7278 CEREAL COMBINES - 1637408  
D-ZAZE-009-A



D-ZAZE-009-A

**Buy Now**



Our support email:

[ebooklibonline@outlook.com](mailto:ebooklibonline@outlook.com)