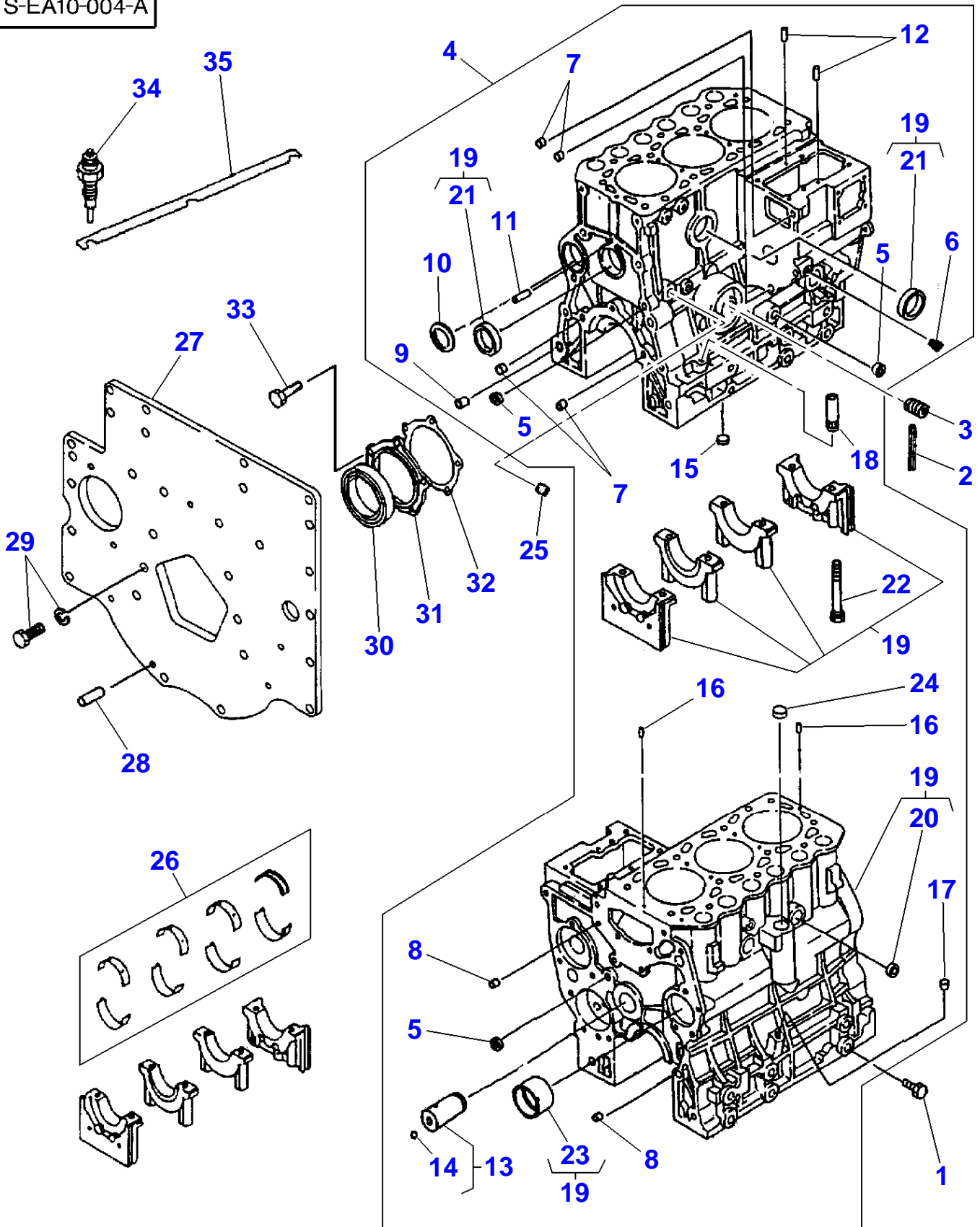


Page Title	Page Number
Engine Installation - M.F 1325	010-0005
Engine Installation - M.F 1335	010-0010
Engine Installation - M.F 1345	010-0015
Alternator	010-0020
Starter - M.F 1325	010-0025
Starter - M.F 1335/45	010-0030
Fan Guards & Belts	010-0035
Cylinder Block - M.F 1325	010-0040
Cylinder Block - M.F 1335/45	010-0045
Crankshaft, Pistons And Connecting Rods - M.F 1325	010-0050
Crankshaft, Pistons And Connecting Rods - M.F 1335/45	010-0055
Cylinder Head - M.F 1325	010-0060
Cylinder Head - M.F 1335/45	010-0065
Rocker Shaft	010-0070
Timing Gear And Camshaft	010-0075
Fuel Injection Equipment (Diesel) - M.F 1325	010-0080
Injection Pump - M.F 1325	010-0085
Fuel Injection Equipment (Diesel) - M.F 1335/45	010-0090
Injection Pump - M.F 1335/45	010-0095
Injector	010-0100
Stop Magnet	010-0105
Fuel Filter	010-0110
Regulator	010-0115
Lubricating Oil Filler And Breather - M.F 1325	010-0120
Lubricating Oil Filler And Breather - M.F 1335/45	010-0125
Lubricating Oil Sump - M.F 1325	010-0130
Lubricating Oil Sump - M.F 1335/45	010-0135
Oil Filter - M.F 1325/35	010-0140
Lubricating Oil Filter And Integral Cooler - M.F 1345	010-0145
Water Pump, Thermostat And Heat Exchanger - M.F 1325/35	010-0150
Water Pump, Thermostat And Heat Exchanger - M.F 1345	010-0155
Turbocharger - M.F 1345	010-0160
Air Induction And Exhaust System - M.F 1325	010-0165
Air Induction And Exhaust System - M.F 1335	010-0170
Air Induction And Exhaust System - M.F 1345	010-0175
Joints And Gaskets - M.F 1325	010-0180
Joints And Gaskets - M.F 1335	010-0185
Joints And Gaskets - M.F 1345	010-0190
Battery & Cables	010-0195
Cooling System - M.F 1325	010-0200
Cooling System - M.F 1335	010-0205
Cooling System - M.F 1345	010-0210
Accessories Miscellaneous - M.F 1325	010-0215
Accessories Miscellaneous - M.F 1335	010-0220
Accessories Miscellaneous - M.F 1345	010-0225
Fuel System - Fuel Tank	010-0230
Air Filter - Hoses - M.F 1325/35	010-0235
Air Filter - Hoses - M.F 1345	010-0240
Air Filter - Dry - Dual Element	010-0245
Exhaust System - Horizontal - M.F 1325/35	010-0250
Exhaust System - Horizontal - M.F 1345	010-0255
Hand Throttle Control	010-0260
Throttle Controls - Pedals	010-0265
Throttle Controls - Tie Rod	010-0270

S-EA10-004-A

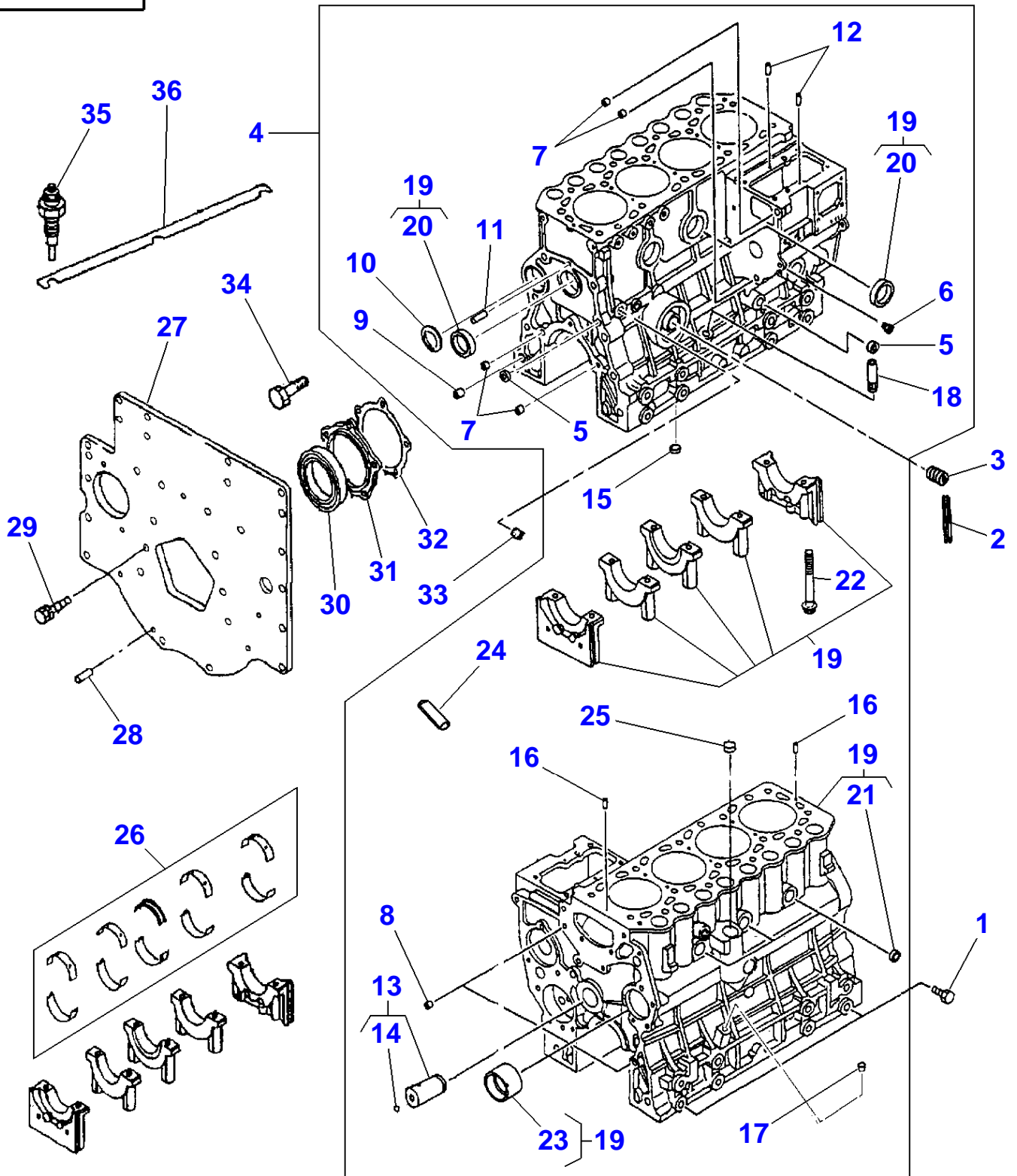


Cylinder Block - M.F 1325

Item	Part Number	Qty	Description	Comments
1	0.010.2648.1	4	Screw	
2	0.010.2651.2	4	Gasket	
3	0.010.2650.2	1	Union	
4	0.010.2652.0	1	Cylinder Block	
5	0.010.2649.1	3	Bush	(4)
6	0.009.4545.1	1	Plug	(4)
7	0.009.4524.2	4	Bush	(4)
8	0.009.4525.1	2	Bush	(4)
9	0.009.4525.2	1	Bush	(4)
10	0.009.4524.1	1	Plug	(4)
11	0.009.4524.0	1	Pin	(4)
12	0.009.4523.0	2	Pin	(4)
13	0.010.2650.0	1	Clevis Pin	(4)
14	0.010.2650.1	1	Ball	(13)
15	0.010.2649.0	1	Plug	(4)
16	0.010.2651.0	2	Pin	(4)
17	0.010.2651.1	1	Plug	(4)
18	0.009.4523.2	1	Guide	(4)
19		1	Cylinder Block	(4)
				Not serviced,order REF. 4
20	0.010.2652.1	2	Bush	(19)
21	0.010.2652.2	2	Bush	(19)
22	0.010.2653.0	8	Screw	(19)
23	0.010.2653.1	1	Bush	(19)
24	0.010.2648.2	1	Plug	(4)
25	0.009.4530.0	1	Plug	
26	0.009.4754.0	1	Kit, Bearing	
	0.009.4754.1	1	Kit, Bearing	Thickness (-)0,25 mm
	0.009.4754.2	1	Kit, Bearing	Thickness (-) 0,50 mm
	0.009.4754.3	1	Kit, Bearing	Thickness (-) 0,75 mm
27	0.010.2656.0	1	Flange	
28	0.009.4532.2	1	Clevis Pin	
29	0.010.2656.1	6	Screw	
30	0.010.2655.1	1	O Ring	
31	0.010.2654.2	1	Flange	
32	0.010.2655.0	1	Gasket	
33	0.010.2655.2	5	Screw	
34	0.010.2731.2	3	Spark Plug	[A]
35	0.010.2732.0	1	Plate	

FOOTNOTE [A] PREHEATER

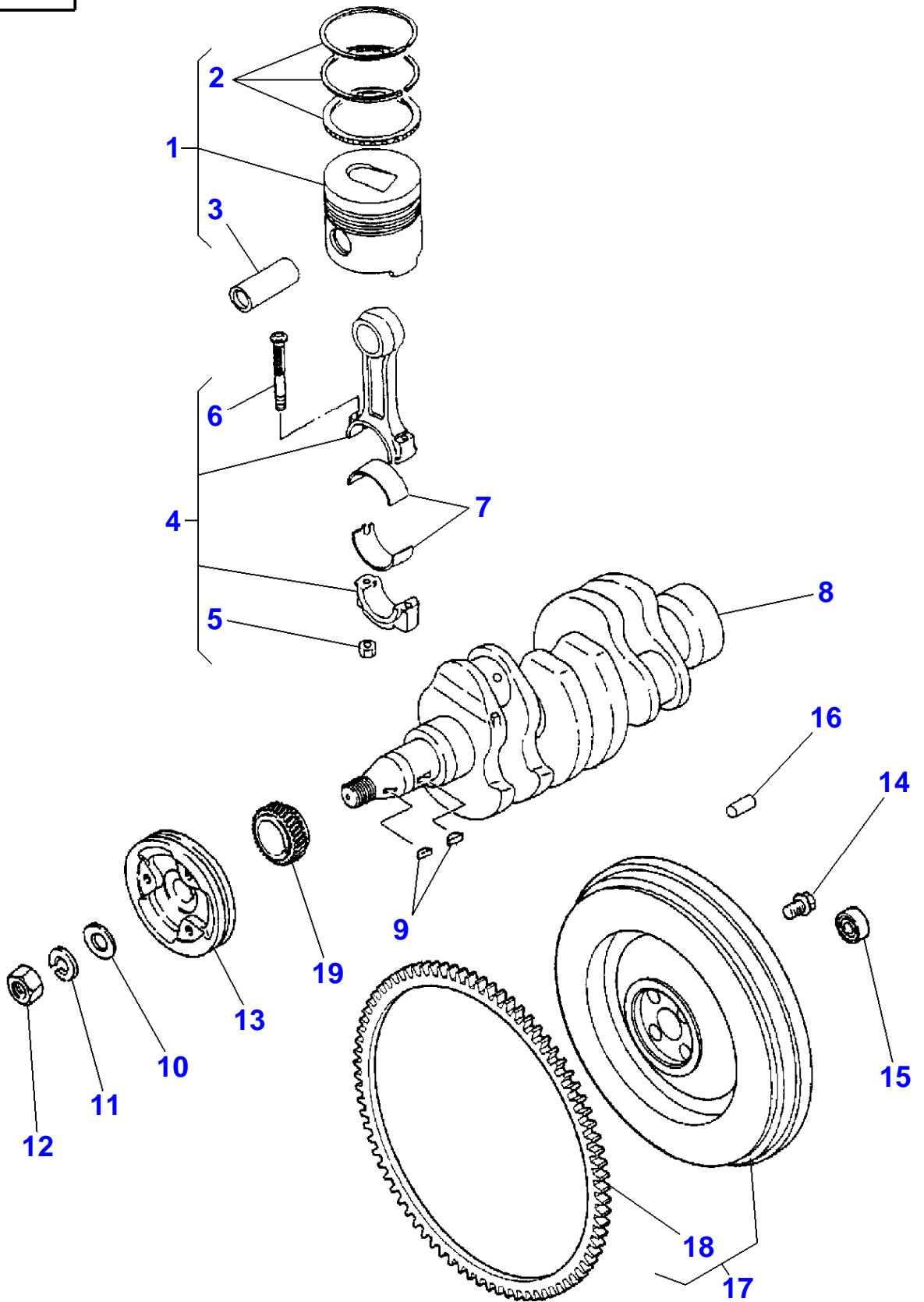
S-EA10-005-A



Item	Part Number	Qty	Description	Comments
1	0.010.2648.1	4	Screw	
2	0.010.2651.2	4	Gasket	
3	0.010.2650.2	1	Union	
4	0.010.2653.2	1	Cylinder Block	MF 1335
	0.010.2654.0	1	Cylinder Block	MF 1345
5	0.010.2649.1	3	Bush	(4)
6	0.009.4545.1	1	Plug	(4)
7	0.009.4524.2	4	Bush	(4)
8	0.009.4525.1	2	Bush	(4)
9	0.009.4525.2	1	Bush	(4)
10	0.009.4524.1	1	Plug	(4)
11	0.009.4524.0	1	Pin	(4)
12	0.009.4523.0	2	Pin	(4)
13	0.010.2650.0	1	Clevis Pin	(4)
14	0.010.2650.1	1	Ball	(13)
15	0.010.2649.0	1	Plug	(4) MF 1335
16	0.010.2651.0	2	Pin	(4)
17	0.010.2651.1	1	Plug	(4)
18	0.009.4523.2	1	Guide	(4)
19		1	Cylinder Block	(4) Not serviced,order REF. 4
20	0.010.2652.1	3	Bush	(19)
21	0.010.2652.2	3	Bush	(19)
22	0.010.2653.0	10	Screw	(19)
23	0.010.2653.1	1	Bush	(19)
24	0.010.2654.1	4	Tube	(4) MF 1345
25	0.010.2648.2	1	Plug	(4)
26	0.009.4531.0	1	Kit, Bearing	MF 1335
	0.010.2656.2	1	Kit, Bearing	MF 1345
	0.009.4531.1	1	Kit, Bearing	Thickness (-) 0,25 mm MF 1335
	0.010.2657.0	1	Kit, Bearing	Thickness (-) 0,25 mm MF 1345
	0.009.4531.2	1	Kit, Bearing	Thickness (-) 0,50 mm MF 1335
	0.010.2657.1	1	Kit, Bearing	Thickness (-) 0,50 mm MF 1345
	0.009.4532.0	1	Kit, Bearing	Thickness (-) 0,75 mm MF 1335
	0.010.2657.2	1	Kit, Bearing	Thickness (-) 0,75 mm MF 1345
27	0.010.2656.0	1	Flange	
28	0.009.4532.2	1	Clevis Pin	
29	0.010.2656.1	6	Screw	
31	0.010.2654.2	1	Flange	
32	0.010.2655.0	1	Gasket	
33	0.009.4530.0	1	Plug	MF 1335
34	0.010.2655.2	5	Screw	
35	0.010.2731.2	4	Spark Plug	[A]
36	0.010.2732.1	1	Plate	

FOOTNOTE [A] PREHEATER

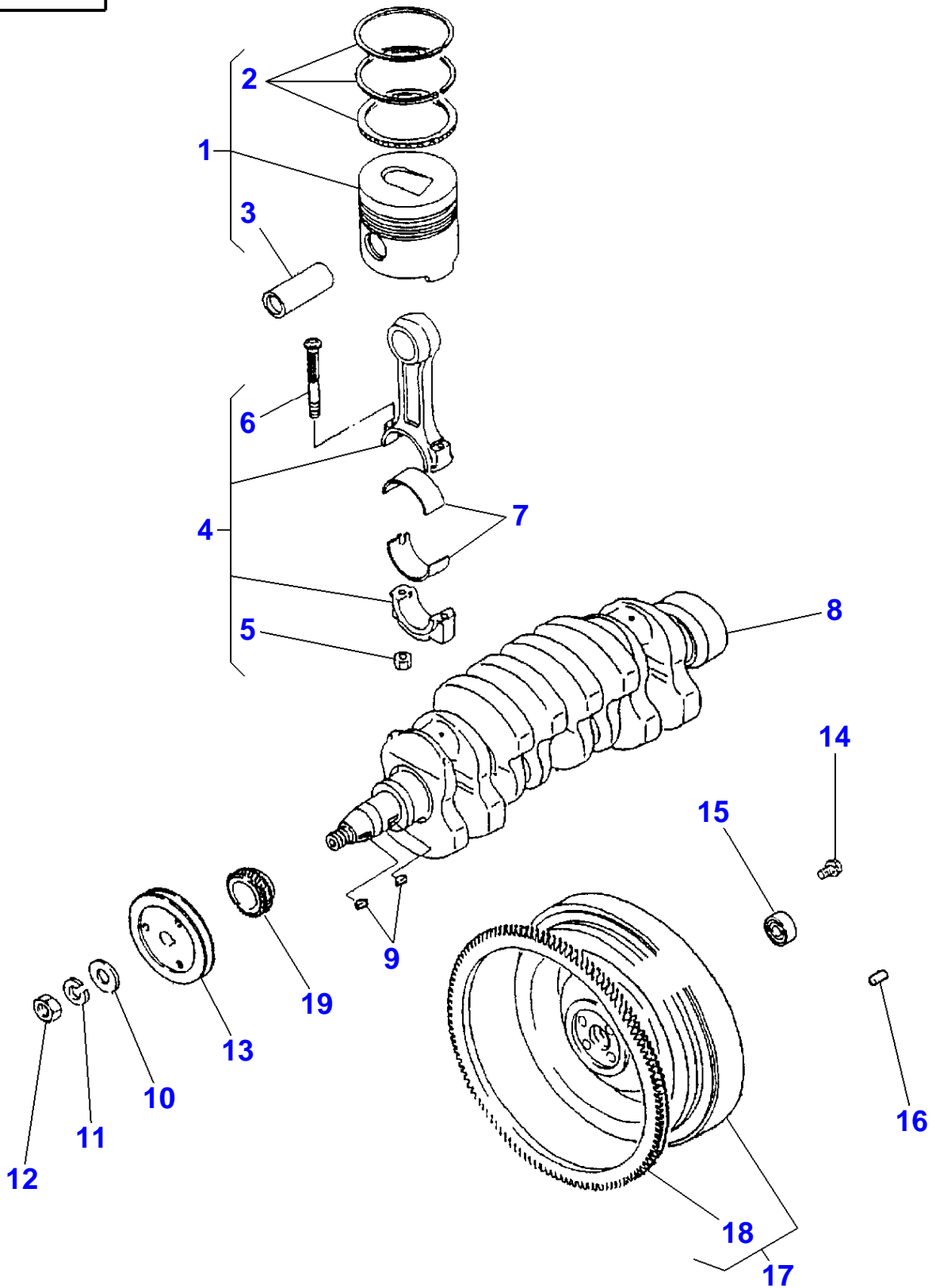
S-EA11-004-A



Item	Part Number	Qty	Description	Comments
1	0.007.0060.6	3	Kit, Piston	
	0.007.0061.6	3	Kit, Piston	[A] Thickness (-) 0,25 mm
	0.007.0062.6	3	Kit, Piston	[A] Thickness (-) 0,50 mm
2	0.008.0052.6	1	Kit, Ring	(1)
	0.008.0053.6	1	Kit, Ring	[A] (1) Thickness (-) 0,25 mm
	0.008.0054.6	1	Kit, Ring	[A] (1) Thickness (-) 0,50 mm
3	0.010.2668.0	1	Piston Pin	(1)
4	0.010.2668.1	3	Piston Rod	
5	0.009.4783.0	2	Nut	(4)
6	0.010.2668.2	2	Screw	(4)
7	0.009.4782.1	3	Kit, Bearing	
	0.010.2669.0	3	Kit, Bearing	[A] Thickness (-) 0,25 mm
	0.010.2669.1	3	Kit, Bearing	[A] Thickness (-) 0,50 mm
	0.010.2669.2	3	Kit, Bearing	[A] Thickness (-) 0,75 mm
8	0.010.2670.0	1	Crankshaft	
9	0.009.4555.1	2	Key	
10	0.009.4554.2	1	Washer	
11	0.009.4555.0	1	Washer	
12	0.009.4554.1	1	Nut	
13	0.010.2670.1	1	Pulley	
14	0.009.4557.0	4	Screw	
15	0.009.4556.1	1	Bearing	
16	0.009.4556.2	3	Pin	
17	0.010.2670.2	1	Flywheel	
18	0.010.2671.0	1	Crownwheel	(17)
19	0.010.2671.1	1	Gear	

FOOTNOTE [A] PRE-FINISHED

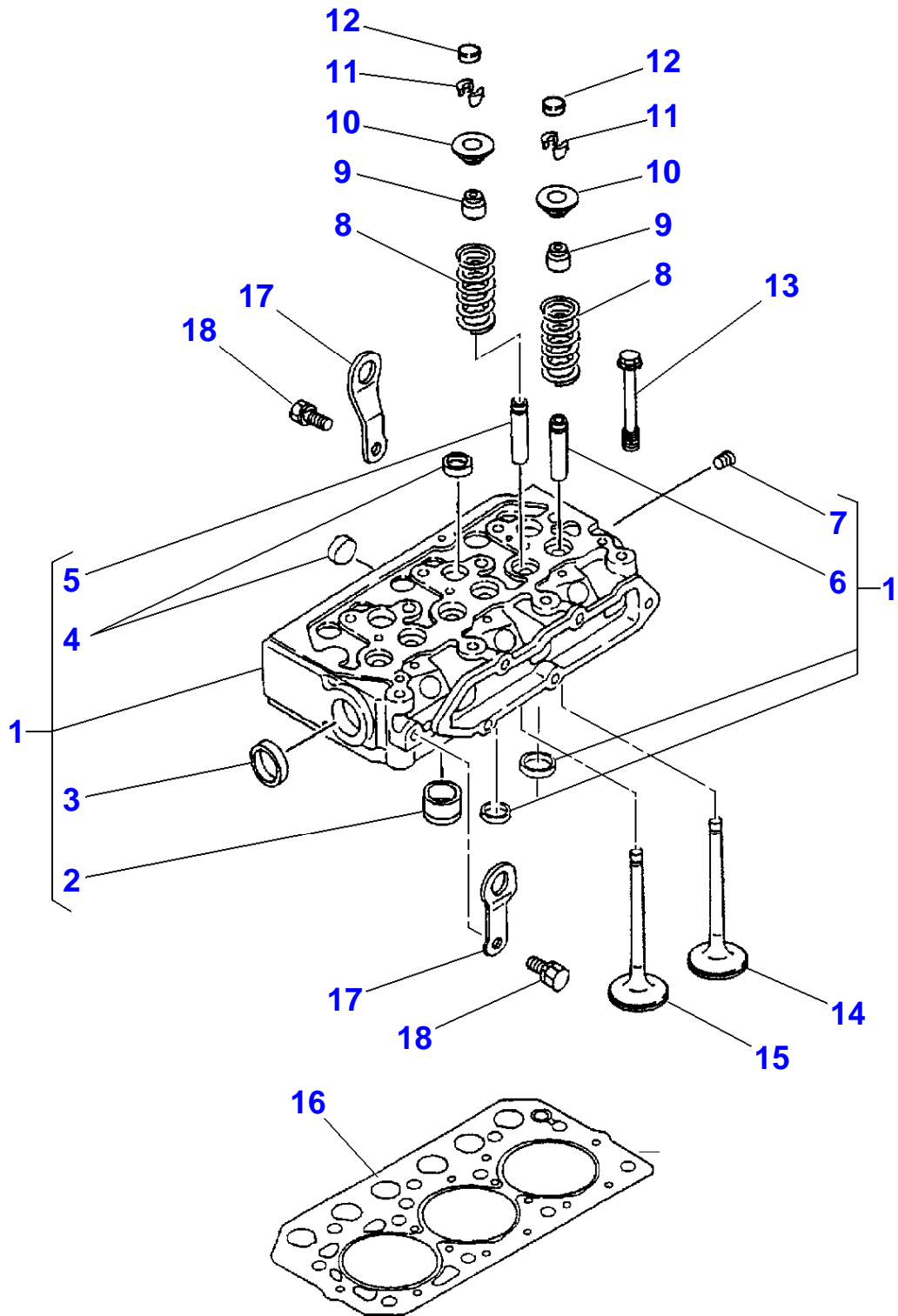
S-EA11-005-A



Item	Part Number	Qty	Description	Comments	
1	0.007.0060.6	4	Kit, Piston	MF 1335	
	0.009.0060.6	4	Kit, Piston	MF 1345	
	0.007.0061.6	4	Kit, Piston	[A] Thickness (-) 0,25 mm MF 1335	
	0.009.0061.6	4	Kit, Piston	[A] Thickness (-) 0,25 mm MF 1345	
	0.007.0062.6	4	Kit, Piston	[A] Thickness (-) 0,50 mm MF 1335	
	0.009.0062.6	4	Kit, Piston	[A] Thickness (-) 0,50 mm MF 1345	
	2	0.008.0052.6	1	Kit, Ring	(1)
		0.008.0053.6	1	Kit, Ring	[A] (1) Thickness (-) 0,25 mm
		0.008.0054.6	1	Kit, Ring	[A] (1) Thickness (-) 0,50 mm
	3	0.010.2668.0	1	Piston Pin	(1)
4	0.010.2671.2	4	Piston Rod		
5	0.009.4783.0	2	Nut	(4)	
6	0.010.2668.2	2	Screw	(4)	
7	0.009.4782.1	4	Kit, Bearing		
	0.010.2669.0	4	Kit, Bearing	[A] Thickness (-) 0,25 mm	
	0.010.2669.1	4	Kit, Bearing	[A] Thickness (-) 0,50 mm	
	0.010.2669.2	4	Kit, Bearing	[A] Thickness (-) 0,75 mm	
8	0.010.2672.0	1	Crankshaft		
9	0.009.4555.1	2	Key		
10	0.009.4554.2	1	Washer		
11	0.009.4555.0	1	Washer		
12	0.009.4554.1	1	Nut		
13	0.010.2672.2	1	Pulley		
14	0.009.4557.0	4	Screw		
15	0.009.4556.1	1	Bearing		
16	0.009.4556.2	3	Pin		
17	0.010.2673.0	1	Flywheel		
18	0.010.2671.0	1	Crownwheel	(17)	
19	0.010.2671.1	1	Gear		

FOOTNOTE [A] PRE-FINISHED

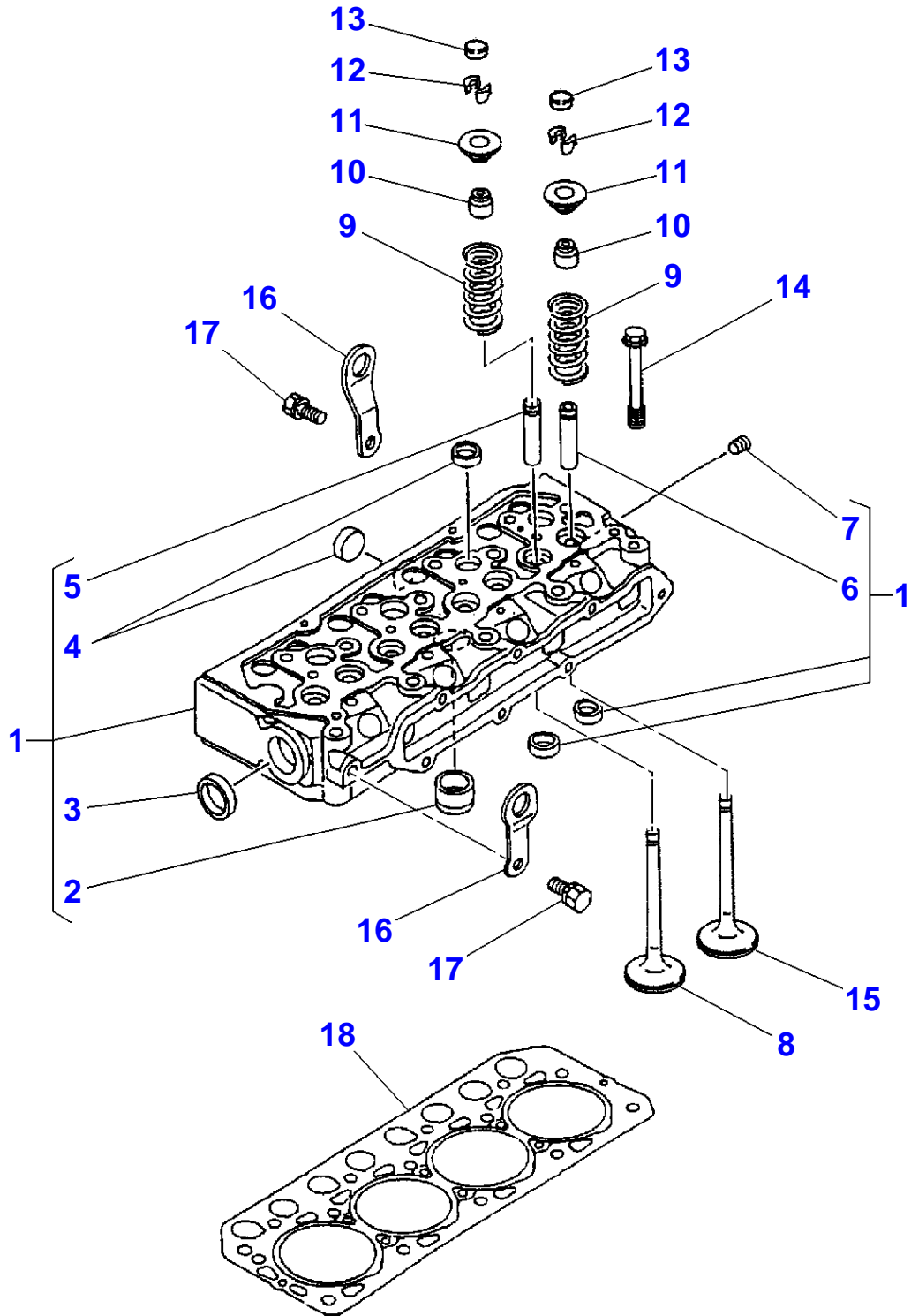
S-EA12-004-A



Cylinder Head - M.F 1325

Item	Part Number	Qty	Description	Comments
1	0.010.2634.0	1	Cylinder Head	
2	0.010.2635.1	3	Bush	(1)
3	0.010.2634.1	1	Plug	(1)
4	0.009.4527.0	5	Plug	(1)
5	0.010.2634.2	3	Valve Guide	(1)
6	0.010.2635.0	3	Valve Guide	(1)
7	0.009.4545.1	1	Plug	(1)
8	0.010.2638.1	6	Spring	
9	0.009.4562.0	6	Gasket	
10	0.010.2638.2	6	Cup	
11	0.009.4561.2	12	Cotter	
12	0.010.2639.0	6	Cap	
13	0.010.2633.1	11	Screw	
14	0.010.2637.2	3	Valve Inlet	
15	0.010.2638.0	3	Valve Exhaust	
16	0.010.2633.2	1	Head Gasket	
17	0.009.4541.2	2	Bracket	
18	0.010.2633.0	2	Screw	

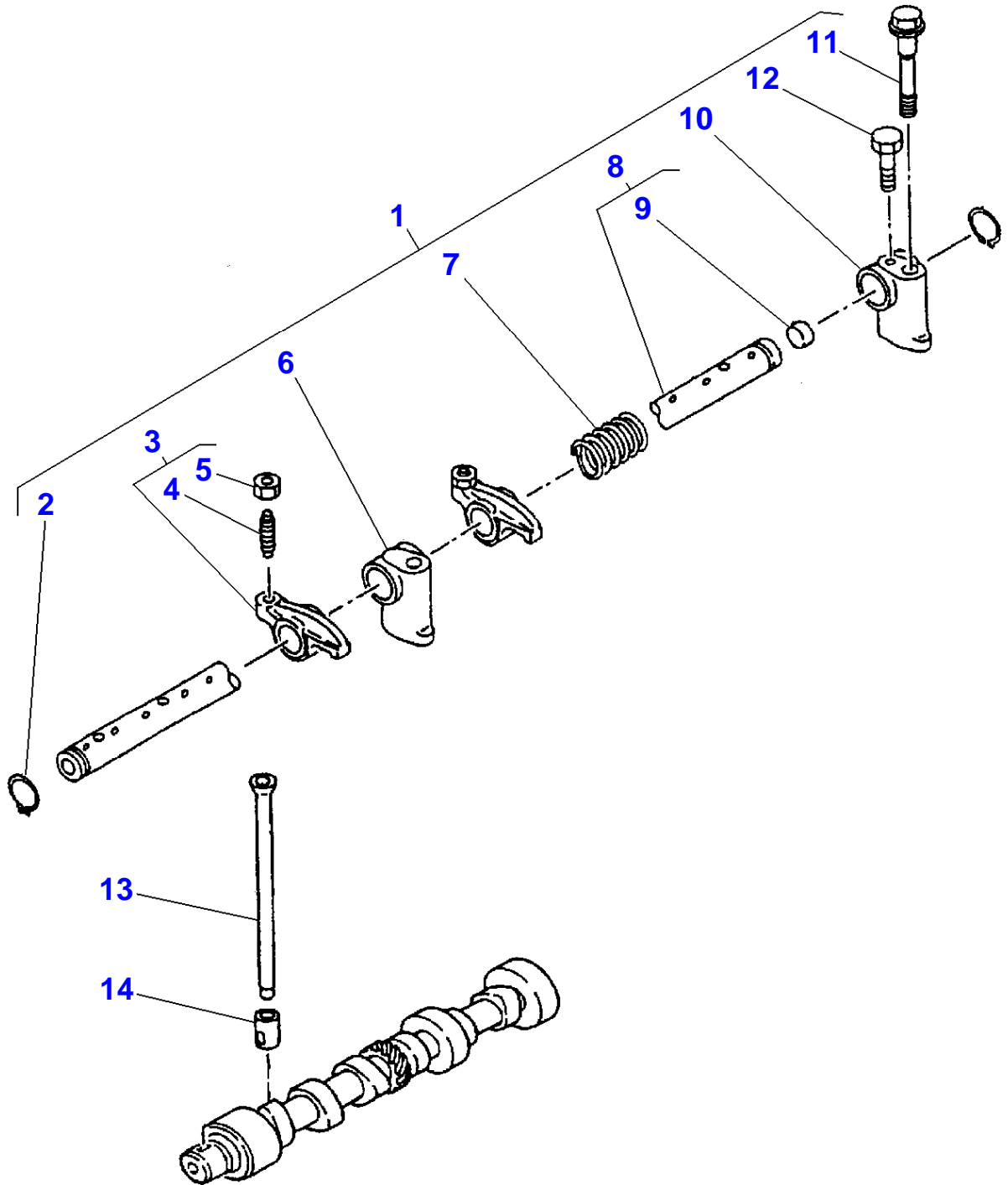
S-EA12-005-A



Cylinder Head - M.F 1335/45

Item	Part Number	Qty	Description	Comments
1	0.010.2637.0	1	Cylinder Head	MF 1335
	0.010.2636.0	1	Cylinder Head	MF 1345
2	0.010.2637.1	4	Bush	(1) MF 1335
	0.010.2636.2	4	Bush	(1) MF 1345
3	0.010.2634.1	1	Plug	(1)
4	0.009.4527.0	7	Plug	(1) MF 1335
	0.010.2636.1	7	Plug	(1) MF 1345
5	0.010.2634.2	4	Valve Guide	(1)
6	0.010.2635.0	4	Valve Guide	(1)
7	0.009.4545.1	1	Plug	(1)
8	0.010.2638.0	4	Valve Exhaust	
9	0.010.2638.1	8	Spring	
10	0.009.4562.0	8	Gasket	
11	0.010.2638.2	8	Cup	
12	0.009.4561.2	16	Cotter	
13	0.010.2639.0	8	Cap	
14	0.010.2633.1	14	Screw	
15	0.010.2637.2	4	Valve Inlet	
16	0.009.4541.2	2	Bracket	
17	0.010.2633.0	2	Screw	
18	0.010.2635.2	1	Head Gasket	

S-EA13-003-A



Buy Now



Our support email:

ebooklibonline@outlook.com