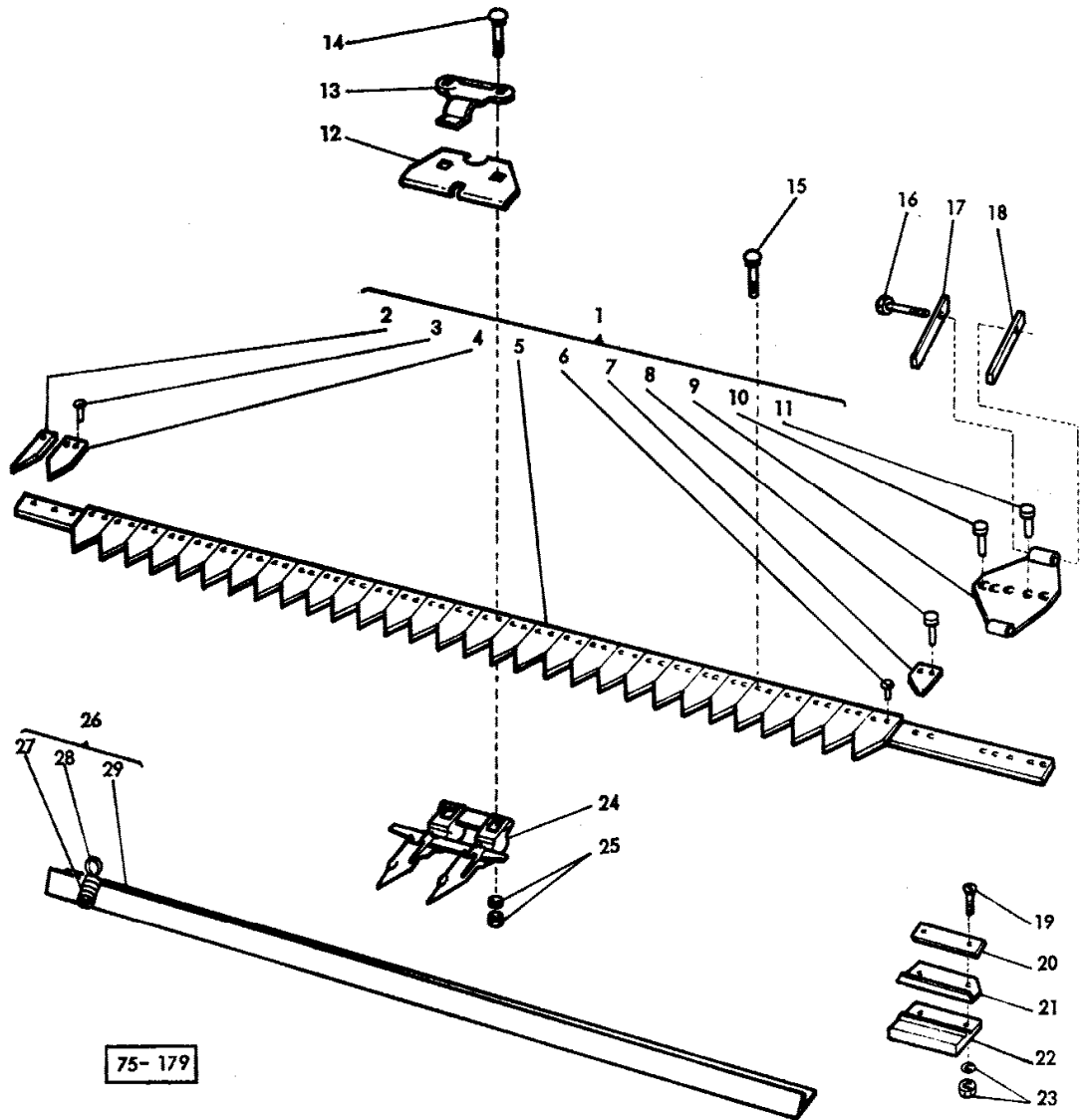


Page Title	Page Number
KNIFE - 8'	3
KNIFE - 10'	4
KNIFE - 12'	5B
KNIFE DRIVE - 8'	7
KNIFE DRIVE - 10' - 12'	8
WOBBLE DRIVE - 1724135M91	11
REEL - 8'	12
REEL CARRIER - GOVERNOR PULLEY MECHANICAL ADJUSTING	15
REEL CARRIER - HYDRAULIC ADJUSTING	16
REEL CARRIER (ROTATING COMPONENTS) } HYDRAULIC ADJUSTING	19
REEL DRIVE-HYDRAULIC ADJUSTING - GOVERNOR PULLEY MECHANICAL ADJUSTING	20
REEL DRIVE-HYDRAULIC ADJUSTING - GOVERNOR PULLEY MECHANICAL ADJUSTING	23
GOVERNOR PULLEY	24
DRIVE SHAFT - 8'	27
DRIVE SHAFT (DRIVE SIDE) - 10' - 12'	28
DRIVE SHAFT (DRIVEN SIDE) - FIX TABLE	29B
DRIVE SHAFT (DRIVEN SIDE) - QUICK-ATTACH	29C
FRONT AUGER - 8'	31
FIX TABLE - 8'	35
TABLE - QUICK-ATTACH	40
GUARDS-TRANSMISSION - 8'	47
GUARD-LOWER PARTS - 10' - 12'	48
GUARDS-TRANSMISSION - 8'	51
DIVIDERS - 8'	52
FEEDER ELEVATOR - HOUSING - FIX TABLE	56
FEEDER ELEVATOR - DRUM, CHAIN - FIX TABLE	59
FEEDER ELEVATOR (FIXED COMPONENTS) - QUICK ATTACH	63
FEEDER ELEVATOR (ROTATING COMPONENTS) - QUICK ATTACH	68
ELEVATOR CHAIN (DETAILS) - DETAILS	71
GEAR BOX CYLINDER - CYLINDER	72
CYLINDER	76
CYLINDER DRIVE	79
REAR BEATER	83
ELECTROMAGNETIC CLUTCH - BOSCH	83D
CONCAVE	84
CONCAVE	87
TRAP STONE	88
SHAKER SHOE	91
PAN	92
SCREEN - UPPER 2	93B
SHAKER SHOE DRIVE	95
FANNING MILL	99
FANNING MILL ADJUSTMENT	100
STRAW WALKERS AND DRIVE	103
MACHINE HOUSING (INTERNAL FIXED COMPONENTS)	104
MACHINE HOUSING (EXTERNAL FIXED COMPONENTS)	107
MACHINE HOUSING (ROTATING COMPONENTS)	108
HOOD	112
GRAIN ELEVATOR	115
GLEANINGS ELEVATOR	119
GRAIN TANK	123
AUGER LOWER	127
AUGER DIVIDER	127A
BALANCE UNLOADER PIPE	127D
PLATE	128
DRIVING SHAFT FOR TANK UNLOADING	131
DRIVING SHAFT FOR UNLOADING	135
UNLOADER PIPE	139
ROTATING AIR INTAKE	140
FUEL TANK AND FUEL LINES	143
RADIATOR	144
ENGINE	148
FRAME ENGINE	152
FRAME ENGINE	155
ENGINE PULLEY	156
ELECTRICAL EQUIPMENT - LUCAS	159

TABLE OF CONTENT

ELECTRICAL EQUIPMENT - PARIS-RHONE	163
STARTER - LUCAS 1860093M1	164
STARTER - BOSCH 964260M1	167
STARTER - C.A.V. 881185M1CA45D12-51 881185M2CA45F12-51	168
ALTERNATOR - PARIS-RHONE	172
DYNAMO - LUCAS 897104M92	175
CYLINDER DRIVE	176
CYLINDER DRIVE	183
GUARDS (CYLINDER DRIVE)	185B
TRACTION DRIVE	187
CLUTCH	188
TRANSMISSION	191
BRAKE OPERATING	195
HANDBRAKE	199
DRUM BRAKE	200
DRUM BRAKE - KNOTT	203
MASTER CYLINDER - 418644M1	204
OPERATORS PLATFORM	207
SEAT - FRITZMEIER	212
SEAT - SABLE	216
CONTROL PANEL	220
INSTRUMENT PANEL	223
STEERING	224
HYDROSTATIC STEERING PUMP	227
FRONT AXLE	228
REAR AXLE	232
REAR AXLE GUARD	235A
HYDRAULIC FOR TABLE	236
HYDRAULIC (TABLE) - 10' - 12'	239
FIX TABLE - 8'	240
TABLE LIFT - QUICK ATTACH	243
HYDRAULICS EQUIPMENT-VALVE	244
HYDRAULIC (VALVE - RAM)	251
HYDRAULIC PUMP	256
HYDRAULIC PUMP	260
HYDRAULIC PUMP WITH CONTAINER	264
CONTROL VALVE	268
RAM (REEL LIFT) - 1748022M93; 1748022M92	271
RAM (TABLE LIFT FIX) - 8' - 10' 1748013M94	272
RAM (TABLE LIFT FIX) - 12' 1748076M92	275
RAM (VARIATOR) - 1748000M92	276
RAM (STEERING) - 1748044M92	279
VALVES - 415572M1	280
LIGHTING (TABLE) - UK	281B
LIGHTING	283
LIGHTING - EXPORT	288
DRIVE BELTS AND CHAINS	292
GUARDS, TOOL BOX AND TOOLS	295
SCRAPERS	300
WEIGHT	303
TRANSFERS-FRENCH - FRANCE	304
ROAD SIGN - GERMANY	305B
TABLE LIFT - MAIZE	307
FEEDER ELEVATOR - MAIZE	308
ELEVATOR	315
INNER ALTERATIONS - MAIZE	316

LAME
MESSER
CUCHILLA
KNIFE } 8'



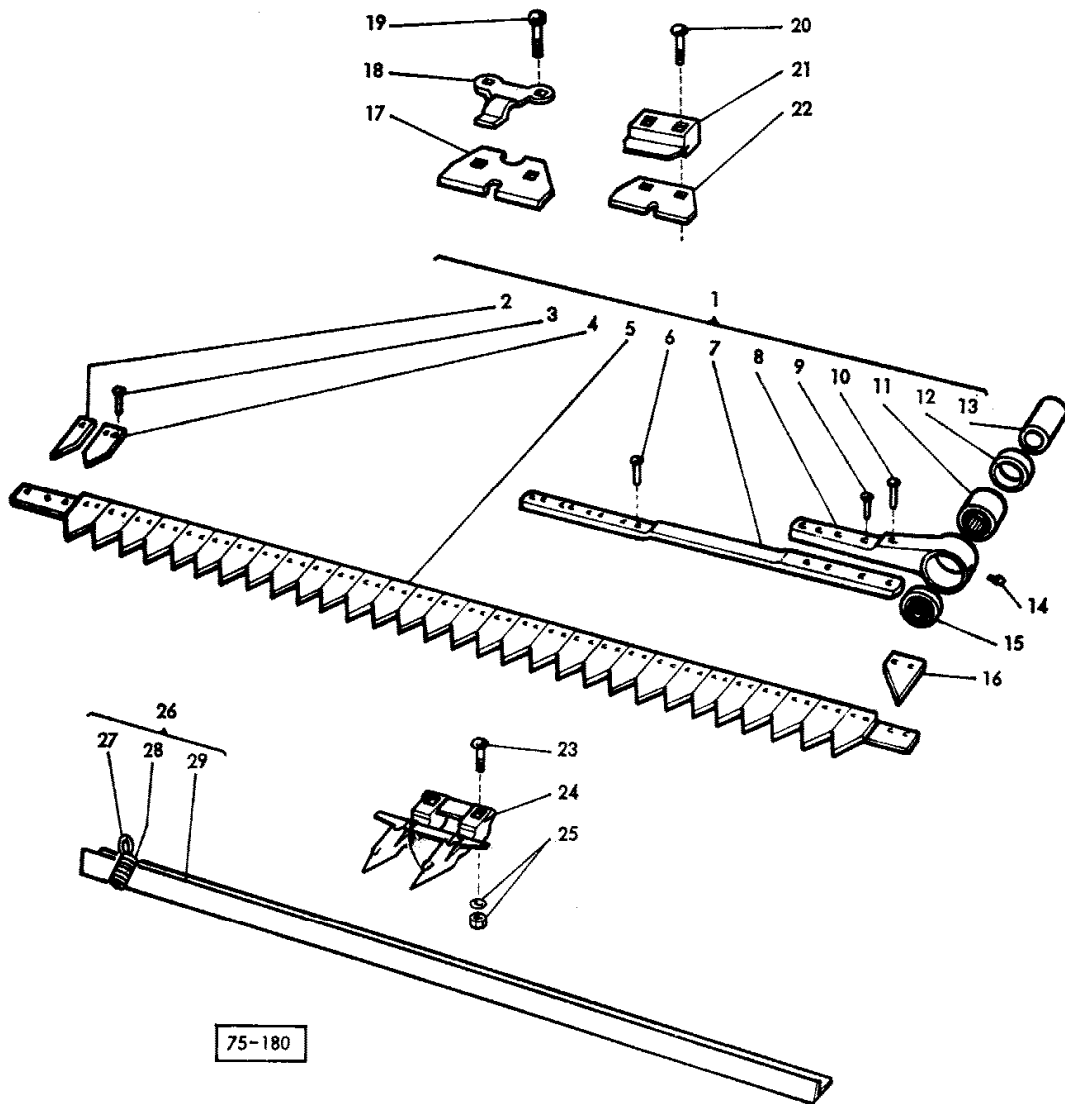
75-179

KNIFE - 8'

Item	Part Number	Qty	Description	Comments
				8'
1	403320M93	2	Knife	(A)
	403320M93	1	Knife	(B)
	417836M91	1	Knife	(B)
2	790863X1	2	Section	(A)
	790863X1	1	Section	(B)
3	391493X1	136	Rivet	(A)
	391493X1	68	Rivet	(B)
4	206236M1	66	Section	(A)
	210987M1	33	Section	(B)
5	1724501M1	2	Stem	(A)
	1724501M1	1	Stem	(B)
6	391493X1	136	Rivet	(A)
	391493X1	68	Rivet	(B)
7	647116M1	2	Section	(A)
	647116M1	1	Section	(B)
8	391498X1	6	Rivet	(A)
	391498X1	3	Rivet	(B)
9	1724499M91	2	Head	(A)
	1724499M91	1	Head	(B)
10	349419X1	8	Rivet	(A)
	349419X1	4	Rivet	(B)
11	391498X1	6	Rivet	(A)
	391498X1	3	Rivet	(B)
12	206196M1	8	Guide	(A, B)
13	206195M1	8	Clip	(A, B)
14	1442457X1	16	Bolt Metric	(A, B)
15	1442456X1	18	Screw	(A, B)
16	339204X1	2	Screw	(A, B)
	339376X1	2	Lock Washer	(A, B)
	339402X1	2	Nut Metric	(A, B)
17	402321M1	1	Plate	(A, B)
18	402321M1	1	Plate	(A, B)
19	390640X1	2	Screw Metric	(A, B)
20	404795M1	1	Plate	(A, B)
21	404409M1	1	Guide	(A, B)
22	404410M1	1	Guide	(A, B)
23	339376X1	2	Lock Washer	(A, B)
	339402X1	2	Nut Metric	(A, B)
24	609993M91	17	Finger	(A, B)
25	339534X1	34	Washer Metric	(A, B)
	339402X1	34	Nut Metric	(A, B)
26	402727M91	1	Shield	(A, B)
27	322980M1	2	Spring	(A, B)
28	322979M1	2	Knotter Hook	(A, B)
29		1		Not serviced, order 26 (A) 2 SERATED VERSION (B) 1 SERATED VERSION + 1 SMOOTH VERSION

4

LAME
MESSER
CUCHILLA
KNIFE } 10'

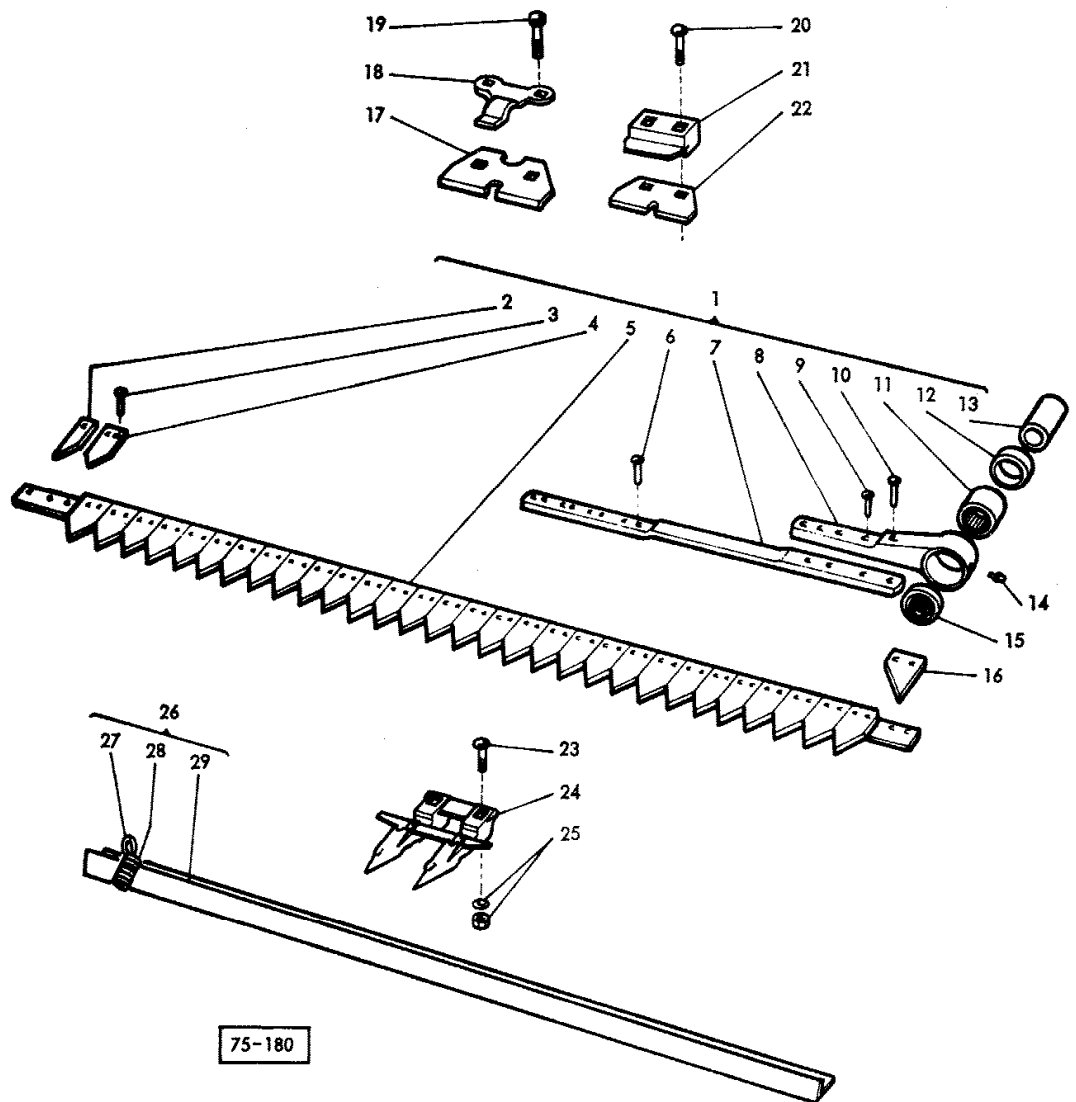


75-180

KNIFE - 10'

Item	Part Number	Qty	Description	Comments
1	1723545M92	2	Knife	(A)
	1723545M92	1	Knife	(A)
	1724687M91	1	Knife	(B)
2	790963M1	2	Section	(A)
	790963M1	1	Section	(B)
3	391493X1	148	Rivet	(A)
	391493X1	74	Rivet	(B)
4	206236M1	78	Section	(A)
	210987M1	39	Section	(B)
5	1724506M1	2	Support	(A)
	1724506M1	1	Support	(B)
6	1441934X1	16	Rivet	(A)
	1441934X1	8	Rivet	(B)
7	785583M1	2	Spring	(A)
	785583M1	1	Spring	(B)
8	785584M1	2	Head	(A)
	785584M1	1	Head	(B)
9	29140X	8	Rivet	(A)
	29140X	4	Rivet	(B)
10	29142X	2	Rivet	(A)
	29142X	1	Rivet	(B)
11	833083M1	2	Bearing Needle	(A)
	833083M1	1	Bearing Needle	(B)
12	831225M1	2	Seal	(A)
	831255M1	1	Pin	(B)
13	239242M1	2	Roller	(A)
	239242M1	1	Roller	(B)
14	13811X	2	Grease Nipple	(A)
	13811X	1	Grease Nipple	(B)
15	831225M1	2	Seal	(A)
	831225M1	1	Seal	(B)
16	647116M1	2	Section	(A)
	647116M1	1	Section	(B)
17	206196M1	10	Guide	(A, B)
18	206195M1	8	Clip	(A, B)
19	1442457X1	16	Bolt Metric	(A, B)
20	1441671X1	2	Bolt Metric	(A, B)
21	786506M1	1	Clip	(A, B)
22	206196M1	10	Guide	(A, B)
23	1442456X1	22	Screw	(A, B)
24	609993M91	20	Finger	(A, B)
25	339534X1	40	Washer Metric	(A, B)
	339402X1	40	Nut Metric	(A, B)
26	402729M91	1	Guard	(A, B)
27	322979M1	2	Knotter Hook	(A, B)
28	322980M1	2	Spring	(A, B)
29		1		Not serviced, order 26 (A, B) (A) 2 SERATED VERSION (B) 1 SERATED VERSION + 1 SMOOTH VERSION

LAME
MESSER
CUCHILLA
KNIFE } 12'

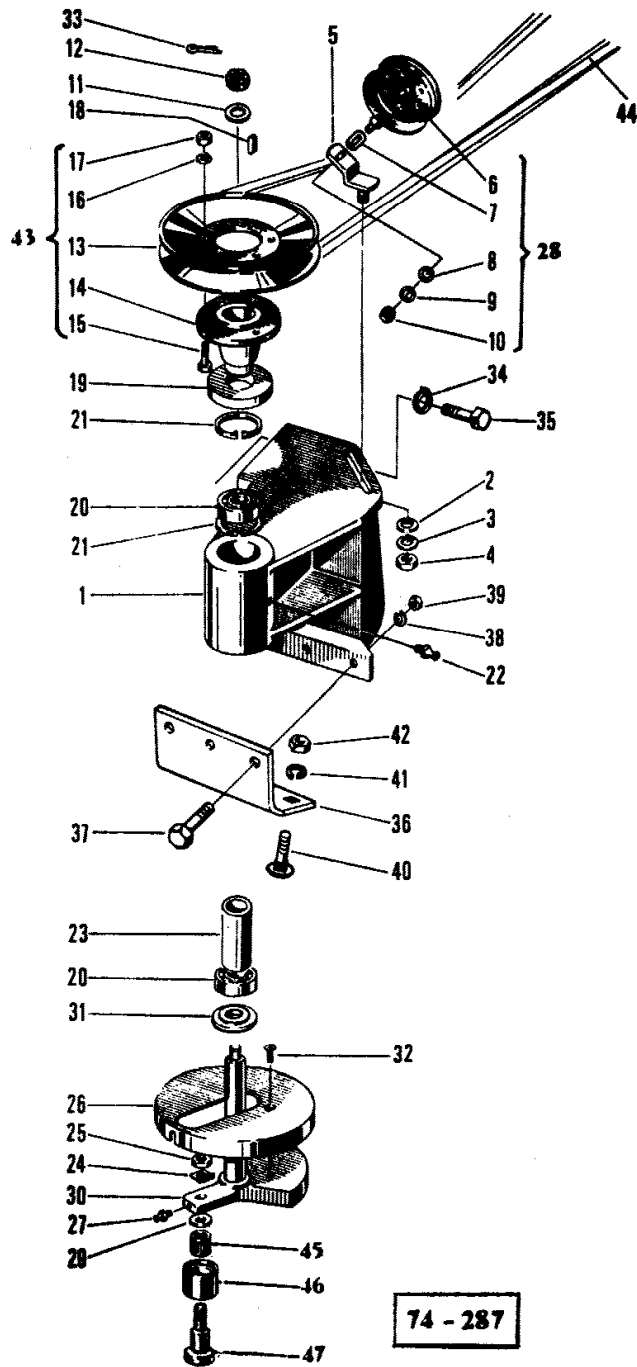


75-180

KNIFE - 12'

Item	Part Number	Qty	Description	Comments
				12'
1	1721354M92	2	Knife	(A)
	1721354M92	1	Knife	(B)
	1724688M91	1	Knife	(B)
2	790863M1	2	Section	(A)
	790863M1	1	Section	(B)
3	391493X1	180	Rivet	(A)
	391493X1	90	Rivet	(B)
4	206236M1	94	Section	(A)
	210987M1	47	Section	(B)
5	1724507M1	2	Bearer	(A)
	1724507M1	1	Bearer	(B)
6	1441934X1	16	Rivet	(A)
	1441934X1	8	Rivet	(B)
7	785583M1	2	Spring	(A)
	785583M1	1	Spring	(B)
8	785584M1	2	Head	(A)
	785584M1	1	Head	(B)
9	29140X	8	Rivet	(A)
	29140X	4	Rivet	(B)
10	29142X	2	Rivet	(A)
	29142X	1	Rivet	(B)
11	833083M1	2	Bearing Needle	(A)
	833083M1	1	Bearing Needle	(B)
12	831225M1	2	Seal	(A)
	831255M1	1	Pin	(B)
13	239242X1	2	Bearing	(A)
	239242X1	1	Bearing	(B)
14	13811X	2	Grease Nipple	(A)
	13811X	1	Grease Nipple	(B)
15	831225M1	2	Seal	(A)
	831225M1	1	Seal	(B)
16	647116M1	2	Section	(A)
	647116M1	1	Section	(B)
17	206196M1	12	Guide	(A, B)
18	206195M1	10	Clip	(A, B)
19	1442457X1	20	Bolt Metric	(A, B)
20	1441671X1	2	Bolt Metric	(A, B)
21	786506M1	1	Clip	(A, B)
22	206196M1	12	Guide	(A, B)
23	1442456X1	26	Screw	(A, B)
24	609993M91	24	Finger	(A, B)
25	339534X1	48	Washer Metric	(A, B)
	339402X1	48	Nut Metric	(A, B)
26	403810M91	1	Guard	(A, B)
27	322979M1	2	Knotter Hook	(A, B)
28	322980M1	1	Spring	(A, B)
29		1		Not serviced, order 26 (A, B) (A) 2 SERATED VERSION (B) 1 SERATED VERSION + 1 SMOOTH VERSION

COMMANDE DE LAME
 MESSERANTRIEB
 MANDO DE LA CUCHILLA
 KNIFE DRIVER



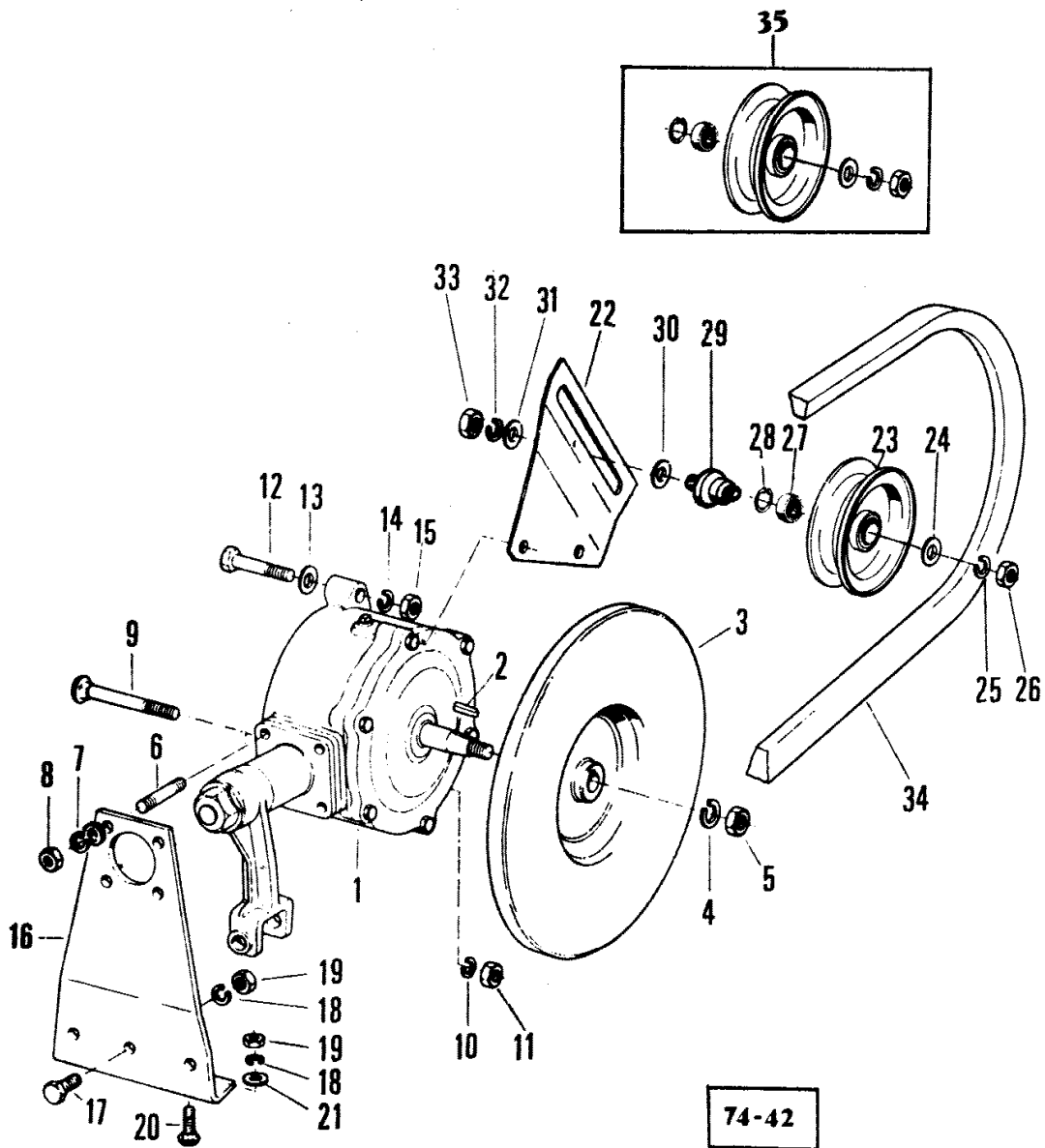
KNIFE DRIVE - 8'

Item	Part Number	Qty	Description	Comments
	417264M91	1	Bracket	
1	417265M1	1	Bracket	
2	339072X1	1	Washer	
3	339380X1	1	Washer	
4	339070X1	1	Nut	
5	417205M91	1	Bearer	
6	416580M91	1	Pulley	
7	416584M1	1	Washer	
8	339072X1	1	Washer	
9	339380X1	1	Washer	
10	339070X1	1	Nut	
11	391459X1	1	Washer Metric	
12	391232X1	1	Nut	
13	403735M91	1	Pulley	
14	417267M1	1	Hub	
15	339666X1	6	Screw Metric	
16	339375X1	6	Lock Washer	
17	339030X1	6	Nut Metric	
18	391411X1	1	Key Door	
19	417268M1	1	Plate	
20	1440489X1	2	Bearing Ball	
21	339199X1	2	Ring	
22	339033X1	1	Nipple	
23	417269M1	1	Tube	
24	412383M1	1	Plate	
25	339070X1	1	Nut	
26	402997M1	1	Cover	
27	390843X1	1	Nipple	
28	416579M91	1	Pulley	
29	412381M1	1	Washer	
30	417270M91	1	Shaft	
31	417273M1	1	Washer	
32	339153X1	2	Screw Metric	
33	390448X1	1	Pin	
34	339374X1	2	Lock Washer	
	339169X1	2	Nut Metric	
35	339123X1	2	Screw Metric	
36	404411M1	1	Anglepiece	
37	339814X1	3	Screw Metric	
38	339376X1	3	Lock Washer	
39	339402X1	3	Nut Metric	
40	339172X1	3	Bolt Metric	
41	339376X1	3	Lock Washer	
42	339402X1	3	Nut Metric	
43	417266M91	1	Pulley	
44	402607M1	1	Belt	
45	339569X1	1	Bearing	
46	323478M1	1	Roller	
47	412382M1	1	Trunnion	

8

COMMANDE DE LAME
 MESSERANTRIEB
 MANDO DE LA CUCHILLA
 KNIFE DRIVER

10' - 12'



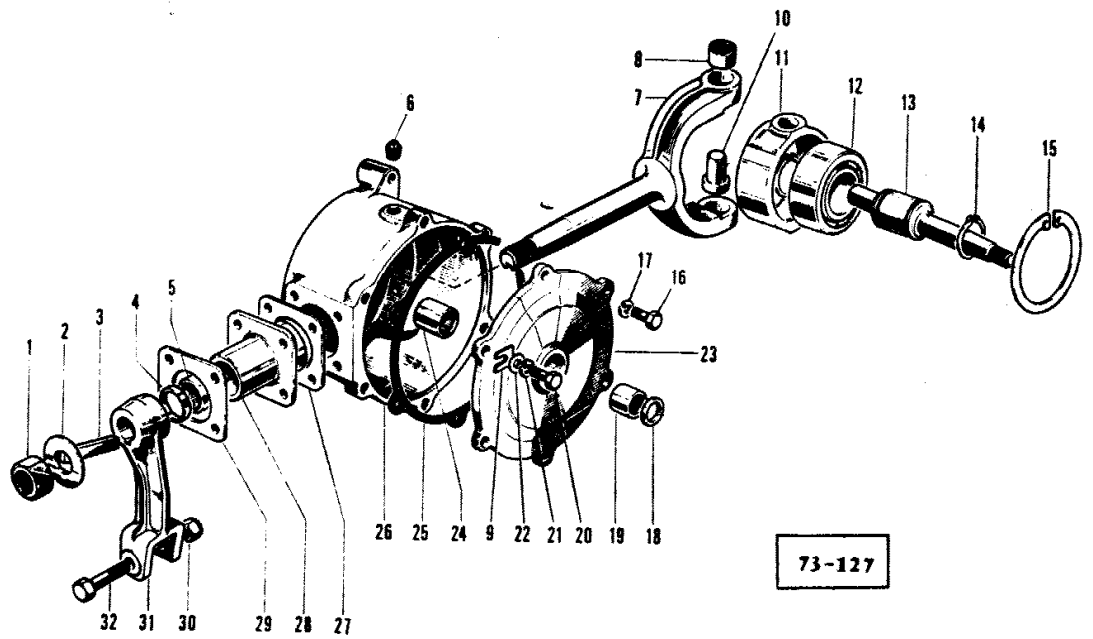
KNIFE DRIVE - 10' - 12'

Item	Part Number	Qty	Description	Comments
1	1724135M91	1	Wobble Drive	(A)
2	1721356M1	1	Key Door	10' - 12'
3	1725089M2	1	Pulley	
4	339377X1	1	Lock Washer	
5	353427X1	1	Nut Unf	
6	357133X1	4	Stud	
7	609930M1	4	Washer	
	339369X1	4	Lock Washer	
8	353426X1	4	Nut Unf	
9	391231X1	1	Bolt Metric	
10	339376X1	1	Lock Washer	
11	339402X1	1	Nut Metric	
12	339679X1	1	Screw Metric	
13	391396X1	1	Washer Metric	
14	339376X1	1	Lock Washer	
15	339402X1	1	Nut Metric	
16	1721348M1	1	Bracket	
17	339451X1	3	Screw Metric	
18	339376X1	6	Lock Washer	
19	339402X1	6	Nut Metric	
20	390397X1	3	Bolt	
21	339025X1	3	Washer Metric	
22	916649M1	1	Support	
23	213736M1	1	Pulley	
24	353774X1	1	Washer	
25	391837X1	1	Conical Seat	
26	353427X1	1	Nut Unf	
27	22258X	1	Bearing Assy	
28	208230M1	1	Ring	
29	916003M1	1	Pin	
30	391591X1	1	Washer	
31	339072X1	1	Washer	
32	339380X1	1	Washer	
33	339070X1	1	Nut	
34	410959M1	1	Belt	
35	621579M91	1	Pulley	

(A)

See Page - Reference Number 11

BOÎTIER DE COMMANDE
GETRIEBE
MANDO
WOBBLE DRIVE } 1 724 135 M91



MASSEY FERGUSON**MF 487 COMBINE - 1646001**

1646001

WOBBLE DRIVE - 1724135M91

11

Item	Part Number	Qty	Description	Comments
	1724135M91	1	Wobble Drive	1724135M91
1	355646X1	1	Nut Unf	
2	239497M1	1	Washer	
3	49378X	1	Key	
4	834782M1	2	Seal	
5	833346M1	2	Bearing	
6	375181X1	2	Plug	
7	236569M2	1	Yoke	
8	832879M1	2	Bearing	
9	261428M1	2	Washer	
10	249149M3	2	Pin	
11	249148M4	1	Housing	
12	833309M1	1	Bearing	
13	239598M2	1	Shaft	
14	364553X1	2	Ring	
15	366126X1	1	Circlip	
16	353678X1	4	Screw Unc	
17	353446X1	4	Lock Washer	
18	831135M1	2	Seal	
19	834296M1	1	Bearing Assy	
20	353679X1	2	Screw Unc	
21	353446X1	2	Lock Washer	
22	353755X1	2	Washer	
23	236568M1	1	Cover	
24	834294M1	1	Bearing Assy	
25	236567M1	1	Gasket	
26	236566M1	1	Housing	
27	236579M1	1	Gasket	
28	261391M1	1	Flange	
29	785613M1	2	Spacer	
30	357561X1	1	Nut Unf	
31	239160M2	1	Arm	
32	238499M1	1	Bolt	

Buy Now



Our support email:

ebooklibonline@outlook.com