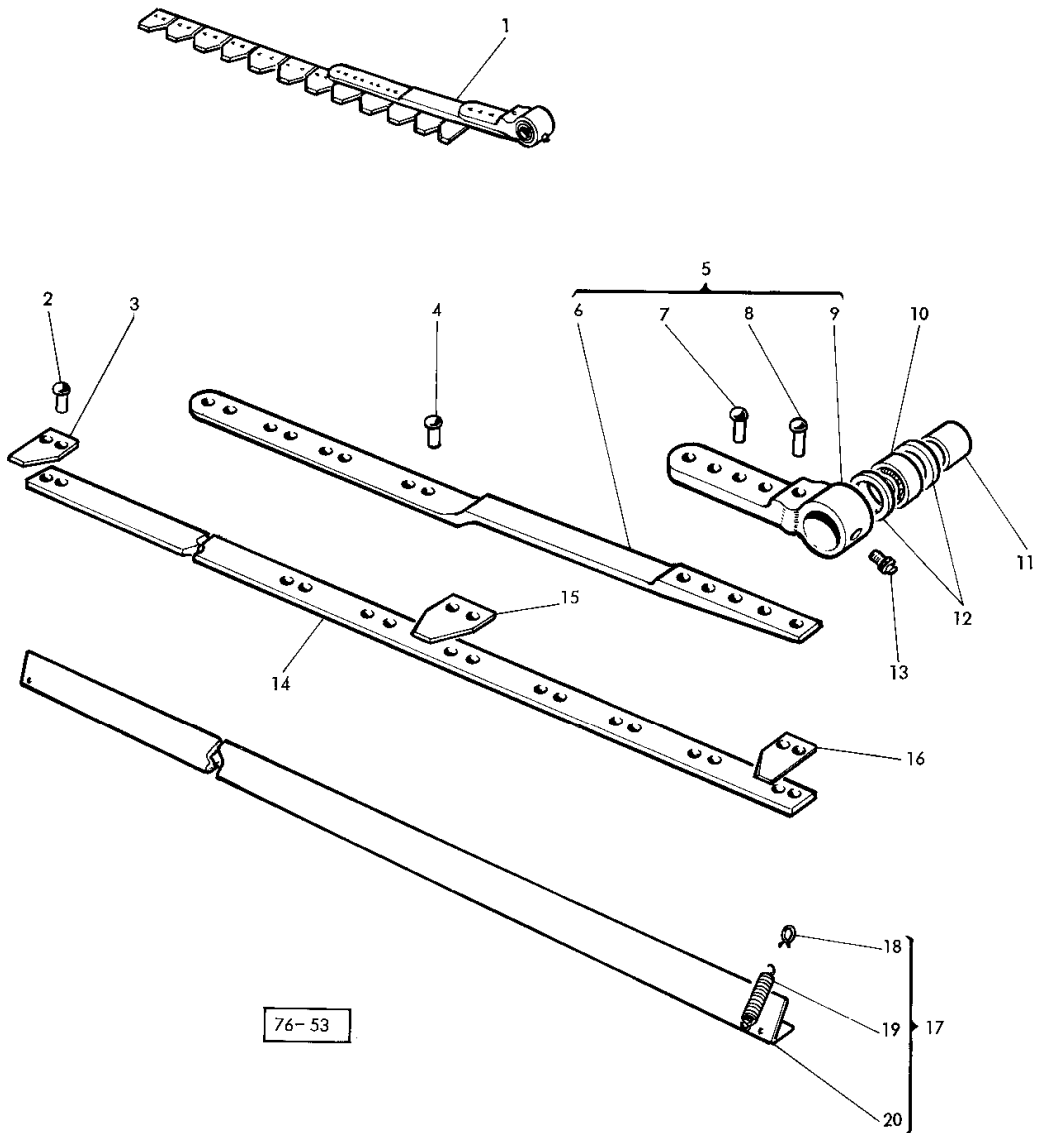


Page Title	Page Number
KNIFE - 10', 12', 14'	3
DRIVE ARRANGEMENT	3A
KNIFE DRIVE HOUSING - 797248M91	4
REAR SHAFT - VARIATOR - 3 M - 10', 3,20 M - 12', 4,20 M - 14'	7
REEL LIFT ARMS AND PULLEY	11
PICK UP REEL - 3 M - 10', 3,60 M - 12', 4,20 M - 14'	15
DRIVES SHAFT AND AUGER DRIVE - 3 M - 10', 3,60 M - 12', 4,20 M - 14'	16
TABLE AUGER - 3 M - 10', 3,60 M - 12', 4,20 M - 14'	19
TABLE - 10', 12', 14'	23
TABLE GUARDS	27
GUARD REAR SHAFT - 3 M - 10', 3,60 M - 12', 4,20 M - 14'	28
FLOATING EXTENSION	31
DIVIDERS	32
STIFF DIVIDER	36
SENSING FINGERS - 10', 12', 14'	39
LONG CUT - 12' AND 14' TABLES	39A
TABLE ELEVATOR	40
TABLE ELEVATOR - TOP SHAFT	44
ELEVATOR TO CYLINDER - DRUM	47
TABLE THROW OUT CLUTCH	48
CYLINDER HOUSING	51
COUNTER SHAFT AND CLUTCH	55
LUBRICATING ASSY	59
SEPARATOR CLUTCH	60
CYLINDER DRIVE ARRANGEMENT	63
CYLINDER ARRANGEMENT	67
HIGH INERTIA CYLINDER	67A
CONCAVE, REAR BEATER, STONE TRAP	68
CONCAVE ADJUSTMENT	72
GRAIN PAN ARRANGEMENT	75
SHAKER SHOE	79
SHAKER SHOE - 3 GRILLES	81B
TRIPLE SHAKER SHOE	81C
SHAKER SHOE - 4 SCREENS	81G
CLEANING FAN	83
AUGERS, GRAIN AND RETURN	87
RETURNS ELEVATOR	91
STRAW WALKERS PANS AND DRIVE ARRANGEMENT	95
STRAW WALKER BODY	99
REAR HOOD	103
GRAIN ELEVATOR	104
DISTRIBUTION DRIVE	107A
GRAIN TANK	108
GRAIN TANK EXTENSION	111A
GRAIN TANK UNLOADER DRIVE	112
GRAIN TANK UNLOADER PIPE	115
ENGINE COVER ARRANGEMENT	119
RADIATOR AIR INTAKE ARRANGEMENT	123
RADIATOR AND FAN	124
FUEL TANK ARRANGEMENT	127
ENGINE - EXHAUST SYSTEM	131
AIR INTAKE	132
AIR INTAKE - 15399-15999	133B
AIR INTAKE	133C
ELECTRICAL EQUIPMENT	135
ELECTRICAL EQUIPMENT	135A
ALTERNATOR	136
STARTER	139
ALTERNATOR	139A
STARTER	139D
ENGINE POWER OUTPUT SHAFT	140
VARIABLE SPEED PULLEYS	143
RAM	144
RAM	145B
TRACTION CLUTCH	147
GEAR SHIFT	151

TABLE OF CONTENT

GEAR SHIFT	151A
GEAR BOX	152
TRACTION GEAR BOX	155A
AXLE FRAME AND FRONT WHEELS	156
AXLE FRAME	159A
FINAL DRIVE	159D
BRAKES	160
BRAKES CONTROL	163
BRAKING CONTROL - CYLINDER DRIVE BOX	168
VALVES - 786145M91	172
BRAKE FLUID CONTAINER	175
PARKING LATCH	176
HAND BRAKE - GERMANY	179
OPERATORS PLATFORM	180
SEAT BRACKET	181C
SEAT BRACKET	183
OPERATORS SEAT	184
SEAT HOLDER	185B
OPERATORS SEAT - GERMANY	187
SEAT - GERMANY	187A
CONTROL BOX	188
AUTOMATIC TABLE HEIGHT CONTROL	192
WARNING SYSTEM	195
WIRING ALARM - GERMANY	196
STEERING	199
STEERING	199A
HYDROSTATIC STEERING	200
HYDROSTATIC STEERING PUMP	201B
SAFETY BLOCK	201C
REAR AXLE AND WHEELS	203
RAM - 1748044M92	207
RAM - 1748177M91	207A
HYDRAULIC PUMP	208
HYDRAULIC PUMP - 619601M91	211
TANK AND CONTROL VALVE	212
VALVES - 1806973M91	216
VALVES - 1630992M92	219
VALVES - 1807035M91	220
VALVE	223
HYDRAULIC TANK - 619633M1	224
HYDRAULIC TANK - 1615145M91	227
HYDRAULIC - TABLE, VARIATOR, STEERING	228
RAM - 1748103M92	232
RAM - 1748104M92	233
HYDRAULIC TO TABLE	235
VALVES - 619663M1	236
TABLE HYDRAULICS - 3 M - 10'	239
RAM - 1748382M91	240
RAM - 1748381M91	243
RAM - 1748119M92	243A
HYDRAULIC - SPOUT UNLOADER	244
RAM - 619662M1	247
RAM - 1748185M91	247A
CHAINS AND BELTS	248
CHAINS AND BELTS	251
CHAINS	252
CHAINS	255
TRANSFERS-FRENCH - IN FRENCH	256
WEIGHT FRAME - MAIZE	264
AUGER AND SLIP CLUTCH - MULTI-FLOW	267
CYLINDER DRIVE - MULTI-FLOW	271
GRAIN ELEVATOR - MULTI-FLOW	275
GUARDS-TRANSMISSION - MULTI-FLOW	279
LIGHTING	280
HEAD LAMPS AND TAIL LAMPS	283
INSTRUMENT PANEL	287
TOOL OUTFIT	288

LAME
MESSER
CUCHILLA
KNIFE

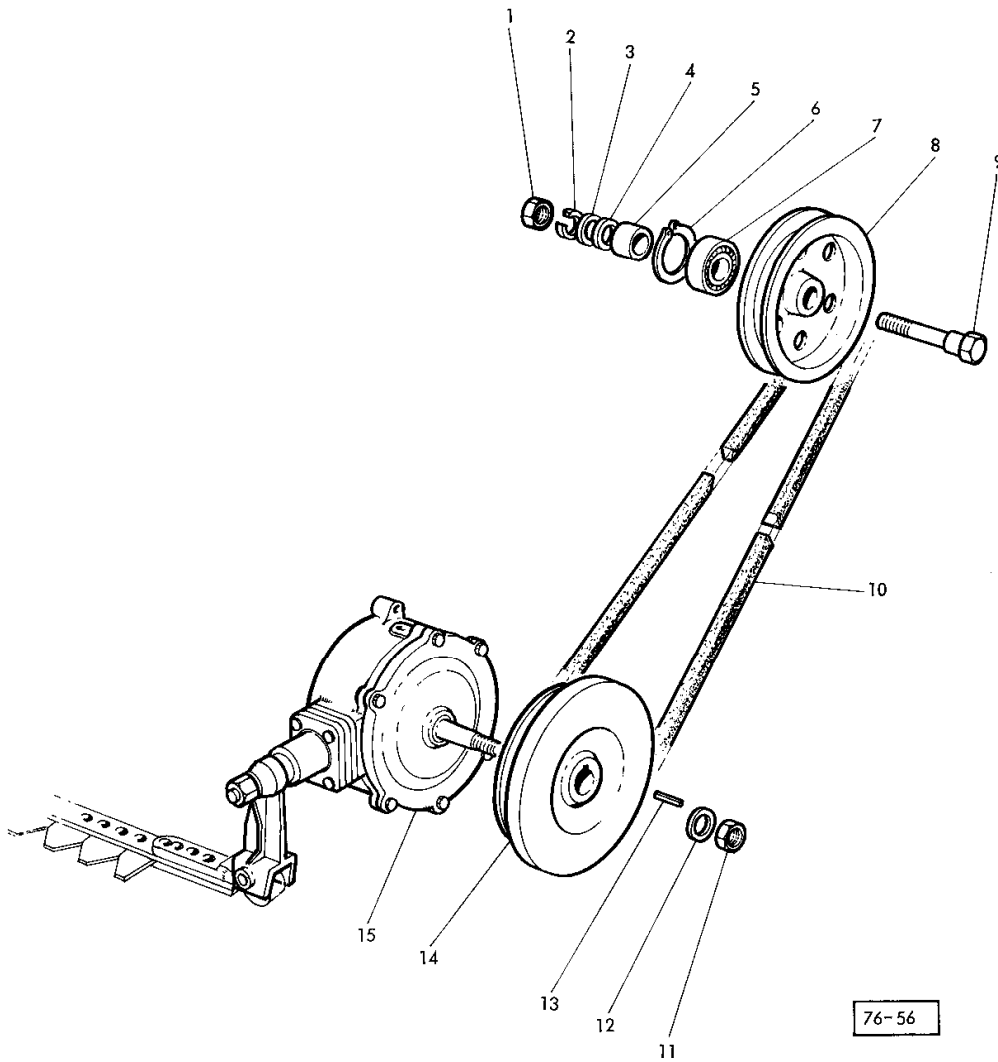


KNIFE - 10', 12', 14'

Item	Part Number	Qty	Description	Comments
				10', 12', 14'
1	785512M91	2	Knife	(10')
	785572M91	1	Knife	(10')
				(B)
	785573M91	1	Knife	(10')
				(B)
	785574M91	2	Knife	(12')
	785574M91	1	Knife	(12')
				(B)
	785575M91	1	Knife	(12')
				(B)
	785576M91	2	Knife	(14')
	785576M91	1	Knife	(14')
				(B)
	785577M91	1	Knife	(14')
				(B)
2	49598X	148	Rivet	(10')
	49598X	180	Rivet	(12')
	49598X	212	Rivet	(14')
3	790863M1	2	Section	Right Hand
	790863M1	1	Section	(B)
				Right Hand
	790861M1	1	Section	(B)
				Right Hand
4	36493X	16	Rivet	(A)
	391488X1	16	Rivet	(A)
5	911695M91	1	Knife Head	
6	785583M1	2	Spring	
7	29140X	8	Rivet	
8	29142X	2	Rivet	
9	785584M1	2	Head	
10	833083M1	2	Bearing Needle	
11	239242M1	2	Roller	
12	831225M1	4	Seal	
13	13811X	2	Grease Nipple	
14	785582M1	2	Stem	(10')
	234660M1	2	Knife Back	(12')
	234661M1	2	Knife Back	(14')
15	206236M1	78	Section	(10')
	206236M1	94	Section	(12')
	206236M1	110	Section	(14')
	206236M1	39	Section	(10')
				(B)
	206236M1	47	Section	(12')
				(B)
	206236M1	55	Section	(14')
				(B)
	210987M1	39	Section	(10')
				(B)
	210987M1	47	Section	(12')
				(B)
	210987M1	55	Section	(14')
				(B)
16	647116M1	2	Section	Left Hand
	647116M1	1	Section	Left Hand
	790860M1	1	Section	Left Hand
17	402729M91	1	Guard	(10')
	403810M91	1	Guard	(12', 14')
	411361M91	1	Guard	(14')
18	322979M1	2	Knotter Hook	
19	322980M1	2	Spring	
20		1		Not serviced, order NO. 17
				(A)
				ALTERNATIVE
				(B)
				GERMANY

3A

COMMANDE DE LAMIE
MESSER ANTRIEB
MANDO DE LA BARRA DE CORTE
DRIVE ARRANGEMENT



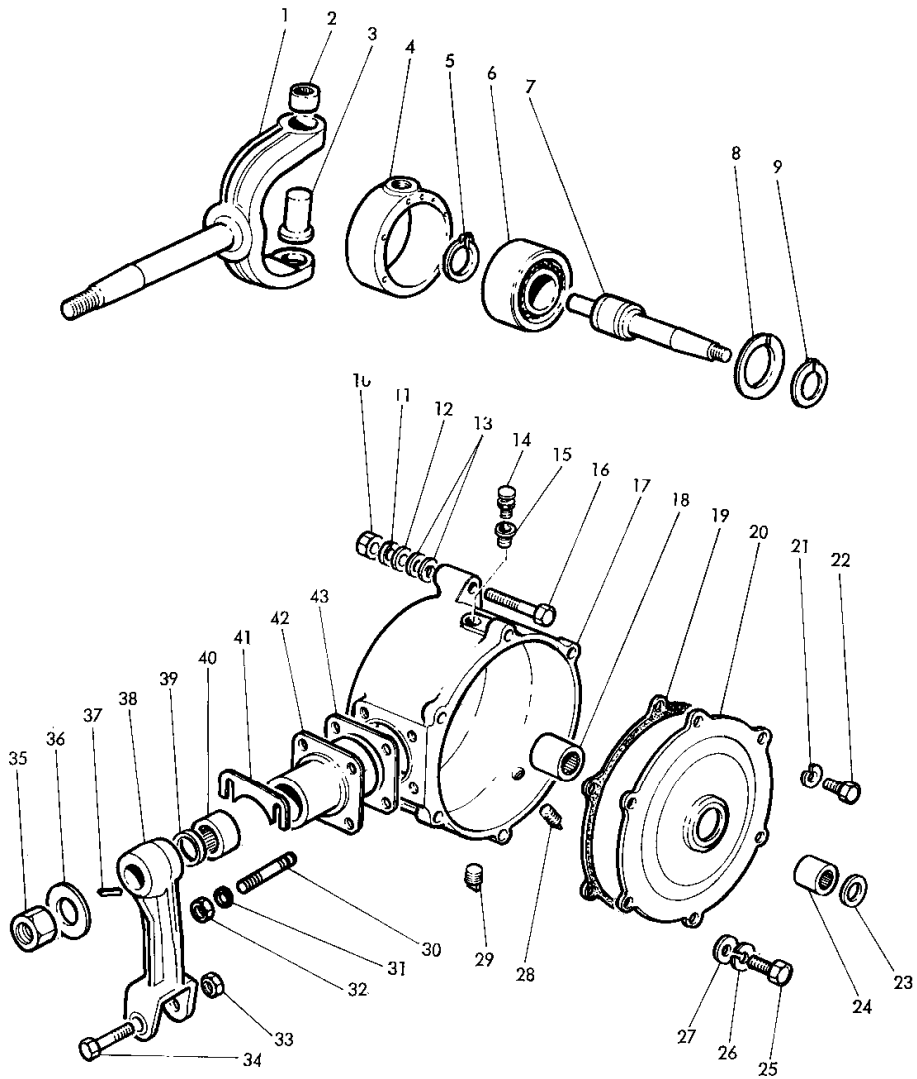
DRIVE ARRANGEMENT

Item	Part Number	Qty	Description	Comments
1	353427X1	1	Nut Unf	
2	353433X1	1	Lock Washer	
3	353760X1	1	Flat Washers	
4	353774X1	1	Washer	
5	786039M2	1	Spacer	
6	208230M1	1	Ring	
7	22258X	1	Bearing Assy	
8	910086M1	1	Pulley	
9	227964M1	1	Bolt	
10	785585M1	1	Belt	
11	353427X1	1	Nut Unf	
12	833196M1	1	Washer	
13	10721X	1	Key	
14	617929M1	1	Pulley	
15	797248M91	1	Wobble Drive	(A)

(A)
SEE PAGE 5

4

BOITIER DE COMMANDE
MESSERANTRIEB
CAJA DE MANDO
KNIFE DRIVE HOUSING



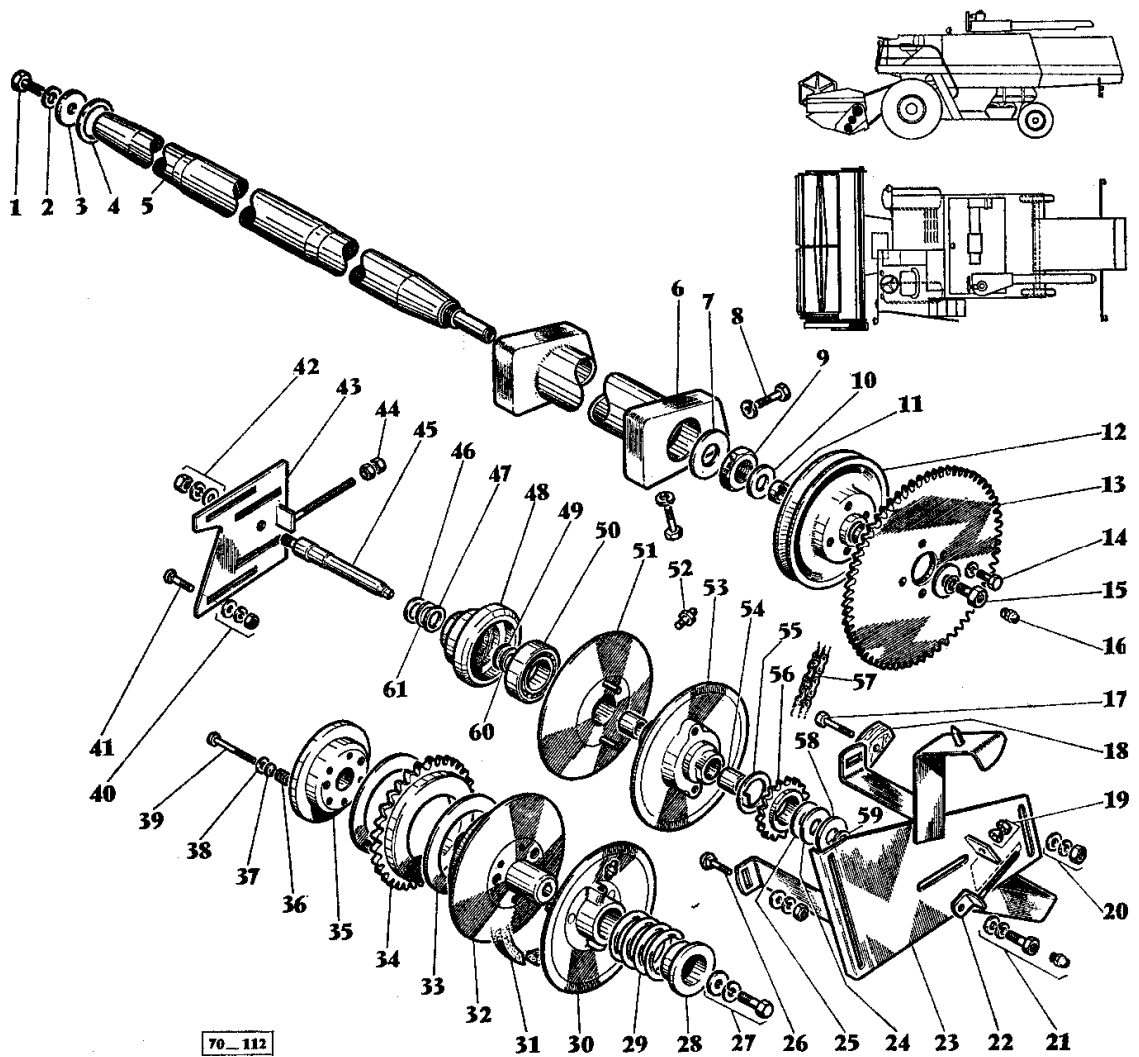
76-66

MASSEY FERGUSON**MF 520/525 COMBINES - 1646022****1646022****KNIFE DRIVE HOUSING - 797248M91****4**

Item	Part Number	Qty	Description	Comments
				797248M91
1	261606M1	1	Yoke	
2	832879M1	2	Bearing	
3	249149M1	2	Pin	
4	249148M1	1	Housing	
5	364553X1	1	Ring	
6	833309M1	1	Bearing	
7	239598M2	1	Shaft	
8	367504X1	1	Ring	
9	364553X1	1	Ring	
10	353426X1	2	Nut Unf	
11	353432X1	2	Lock Washer	
12	196107M1	2	Washer	
13	355620X1	X	Washer	
	361096X1	X	Washer	
14	182099M91	1	Breather	
15	362007X1	1	Reducer	
16	353571X1	2	Bolt Unf	
17	236566M1	1	Housing	
18	843283M1	1	Bearing	
19	236567M1	1	Gasket	
20	236568M1	1	Cover	
21	353446X1	4	Lock Washer	
22	353678X1	4	Screw Unc	
23	831135M1	2	Seal	
24	843282M1	1	Bearing	
25	353679X1	2	Screw Unc	
26	353446X1	2	Lock Washer	
27	353755X1	2	Washer	
28	375181X1	2	Plug	
29	1855590M91	1	Plug	
30	357133X1	4	Stud	
31	609930M1	4	Washer	
32	353426X1	4	Nut Unf	
33	357561X1	1	Nut Unf	
34	238499M1	1	Bolt	
35	355646X1	1	Nut Unf	
36	239497M1	1	Washer	
37	49378X	1	Key	
38	239160M2	1	Arm	
39	834782M1	2	Seal	
40	833346M1	2	Bearing	
41	785613M1	X	Spacer	
42	1855237M2	1	Housing	
43	236579M1	1	Gasket	

ARBRE AR DE RABATTEUR - VARIATEUR
 HASPELANTRIEB
 POLEAS DEL MANDO DEL MOLINETE
 REAR SHAFT - VARIATOR

7



MASSEY FERGUSON

MF 520/525 COMBINES - 1646022

1646022

REAR SHAFT - VARIATOR - 3 M - 10', 3,20 M - 12', 4,20 M - 14'

7

Item	Part Number	Qty	Description	Comments
				3 M - 10', 3,20 M - 12', 4,20 M - 14'
1	354751X1	1	Screw Unf	
2	353440X1	1	Lock Washer	
3	911887M1	1	Washer	
4	785897M1	X	Spacer	
5	911884M92	1	Shaft	(3 M - 10')
	911885M92	1	Shaft	(3,20 M - 12')
	911886M92	1	Shaft	(4,20 M - 14')
6	785911M1	2	Bearing	
7	911536M1	1	Washer	
8	353518X1	12	Screw Unf	
	353446X1	12	Lock Washer	
9	911537M1	1	Nut	
10	785900M1	1	Washer	
11	785752M1	2	Bearing	
12	789197M91	1	Pulley	INCL. REF. 11
13	785901M1	1	Sprocket	(A) Number of teeth/spines 40
	785902M1	1	Sprocket	Number of teeth/spines 69
14	353691X1	4	Screw Unc	
	353434X1	4	Lock Washer	
15	791122M1	1	Bolt	
	359405X1	1	Washer	
	786446M1	1	Washer	
16	13811X	1	Grease Nipple	
17	353543X1	1	Bolt Unf	
18	785844M1	1	Tightener	
19	787075M1	1	Washer	
	375109X1	2	Nut Unc	
20	353756X1	1	Washer	
	353434X1	1	Lock Washer	
	353430X1	1	Nut Unf	
21	783707M1	1	Screw	
	783708M1	1	Washer	
	353439X1	1	Lock Washer	
22	783700M91	1	Bracket	
23	913864M91	1	Bearer	
24	787594M1	1	Washer	
25	787595M1	1	Washer	
26	353794X1	2	Bolt Unf	
	353755X1	2	Washer	
	353446X1	2	Lock Washer	
	353916X1	2	Nut Unf	
27	353614X1	1	Screw Unf	
	353760X1	1	Flat Washers	
	353433X1	1	Lock Washer	
28	788706M2	1	Flange	
29	913455M1	1	Spring	
	913456M1	1	Spring	
30	785894M95	1	Pulley	
	13811X	1	Grease Nipple	
31	789853M1	1	Belt	
32	785893M3	1	Pulley	
33	790844M2	2	Washer	
34	785890M1	1	Sprocket	Number of teeth/spines 41
35	794504M91	1	Disc	
36	215873M1	5	Spring	
37	790845M1	5	Guide	
38	353756X1	5	Washer	
39	911508M1	5	Screw	
40	353755X1	4	Washer	
	353446X1	4	Lock Washer	
	353916X1	4	Nut Unf	
41	353794X1	4	Bolt Unf	
42	353776X1	1	Washer	
	359407X1	1	Washer	
	353920X1	1	Nut Unf	
43	785852M91	1	Plate	
44	375109X1	2	Nut Unc	
45	783684M1	1	Shaft	

MASSEY FERGUSON**MF 520/525 COMBINES - 1646022**

1646022

REAR SHAFT - VARIATOR - 3 M - 10', 3,20 M - 12', 4,20 M - 14'

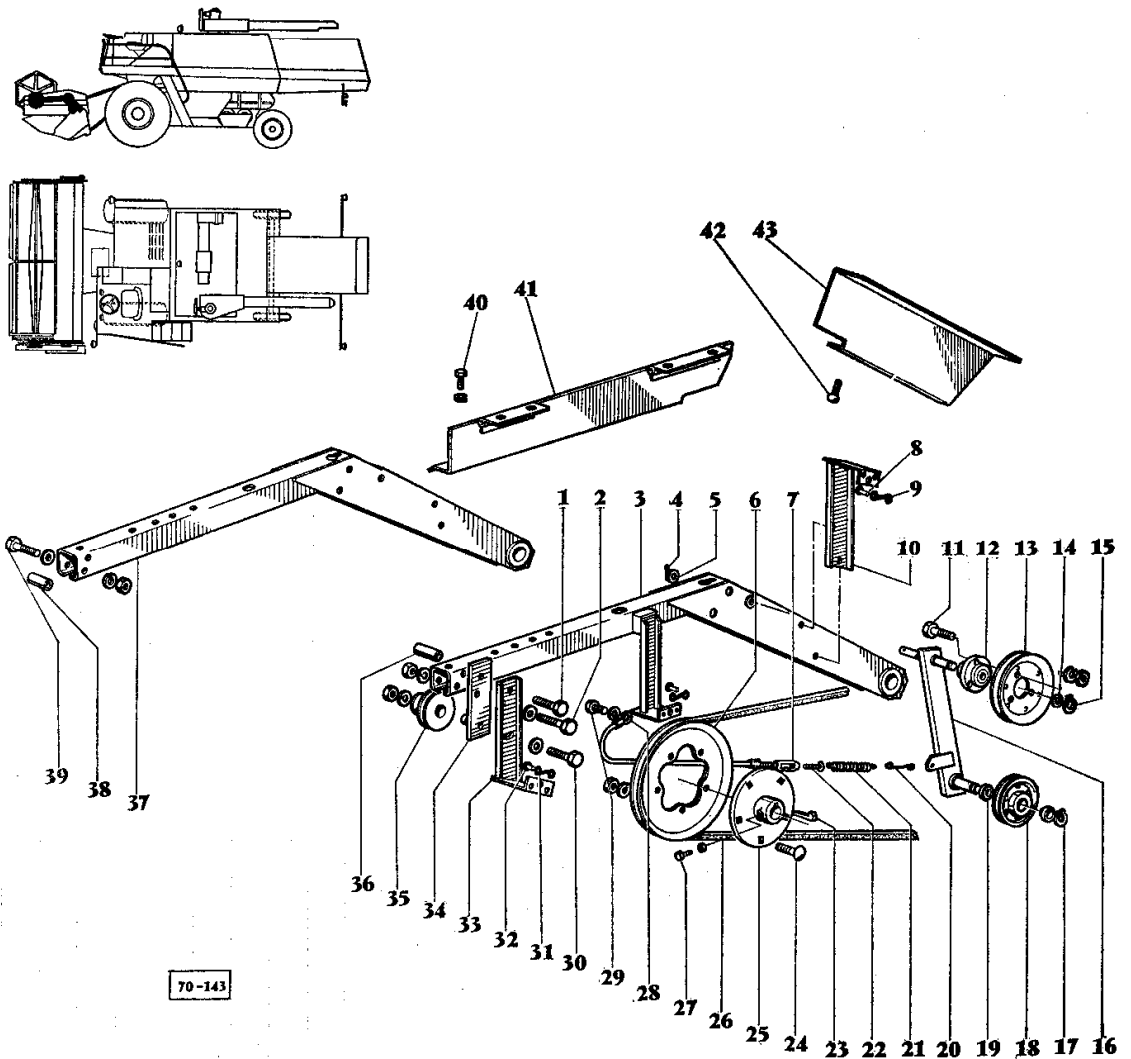
7

Item	Part Number	Qty	Description	Comments
46	785886M1	1	Seal	
47	359306X1	1	O Ring	
48	782630M2	1	Housing	
49	359300X1	1	O Ring	
50	785885M1	1	Bearing	
51	785882M92	1	Pulley	INCL. 789466M1
	789446M1	2	Retainer	
52	13811X	1	Grease Nipple	
53	783852M91	1	Pulley	INCL. REF. 54
54	785907M1	2	Bush	
55	789227M1	1	Washer	
56	789228M1	1	Sprocket	Number of teeth/spines 15
57	785843M91	1	Chain	
58	783800M1	1	Bearing Assy	
59	783801M1	1	Washer	
60	195920M1	1	Washer	
61	361171X1	1	Washer	

(A)
HIGH SPEED

BRAS DE RABATTEUR
 HASPELTRAGARME UND KEILRIEMENSCHLEIBE
 BRAZOS DEL LEVANTE DE MOLINETE Y POLEA
 REEL LIFT ARMS AND PULLEYS

11



REEL LIFT ARMS AND PULLEY

Item	Part Number	Qty	Description	Comments
1	354497X1	1	Bolt Unf	
	353446X1	1	Lock Washer	
	353916X1	1	Nut Unf	
2	354497X1	1	Bolt Unf	
	353446X1	1	Lock Washer	
	353755X1	1	Washer	
	353916X1	1	Nut Unf	
3	606765M94	1	Arm	Left Hand INCL. REF. 3
	785817M1	2	Bush	
	785601M1	1	Spring	
	16861X	2	Rivet	(A)
	16862X	2	Rivet	(A)
4	354070X1	1	Pin	
5	353762X1	1	Washer	
6	789207M91	1	Pulley	
7	913572M1	1	Tensioner	
8	785601M1	1	Spring	
9	16861X	2	Rivet	(A)
	16862X	2	Rivet	(A)
10	606769M91	1	Bearer	
	785906M1	2	Screw	
11	353519X1	3	Screw Unf	
	353446X1	3	Lock Washer	
	353916X1	3	Nut Unf	
12	913570M91	1	Hub	INCL. REF. 12
	785880M1	1	Bearing	
13	210630M11	1	Pulley	
14	785881M1	2	Washer	
15	22042X1	1	Circlip	
16	913550M91	1	Arm	
17	352438X1	1	Circlip	
18	913883M91	1	Pulley	
19	785875M1	2	Washer	
20	1615560M1	1	Hook	
21	789221M1	1	Spring	
22	913573M1	1	Bolt	
23	MP1153	1	Key Door	
24	353807X1	5	Screw Unf	
	353434X1	5	Lock Washer	
	353431X1	5	Nut Unf	
25	913880M1	1	Hub	
26	1615962M1	1	Belt	
27	355204X1	1	Screw Unc	
28	913571M1	1	Cable	
29	353507X1	1	Bolt Unf	
	353441X1	1	Lock Washer	
	353918X1	1	Nut Unf	
30	353511X1	1	Bolt Unf	
	363332X1	1	Washer	
	375233X1	1	Washer	
	353441X1	1	Lock Washer	
	353918X1	1	Nut Unf	
31	785601M1	1	Spring	
32	16861X	2	Rivet	(A)
	16862X	2	Rivet	(A)
33	606788M91	1	Bearer	INCL. NO. 31,32
34	913738M91	1	Support	
35	913568M1	1	Pulley	
36	B2368	1	Spacer	
37	913539M95	1	Arm	Right Hand
38	B2368	1	Spacer	
39	353533X1	1	Bolt Unf	
	353446X1	1	Lock Washer	
	353916X1	1	Nut Unf	
40	353515X1	7	Screw Unf	
	353446X1	7	Lock Washer	
41	606762M92	1	Cowl	
42	785906M1	3	Screw	
43	606764M1	1	Cowl	

MASSEY FERGUSON

MF 520/525 COMBINES - 1646022

1646022

REEL LIFT ARMS AND PULLEY

11

Item	Part Number	Qty	Description	Comments
				(A) ALTERNATIVE

Buy Now



Our support email:

ebooklibonline@outlook.com