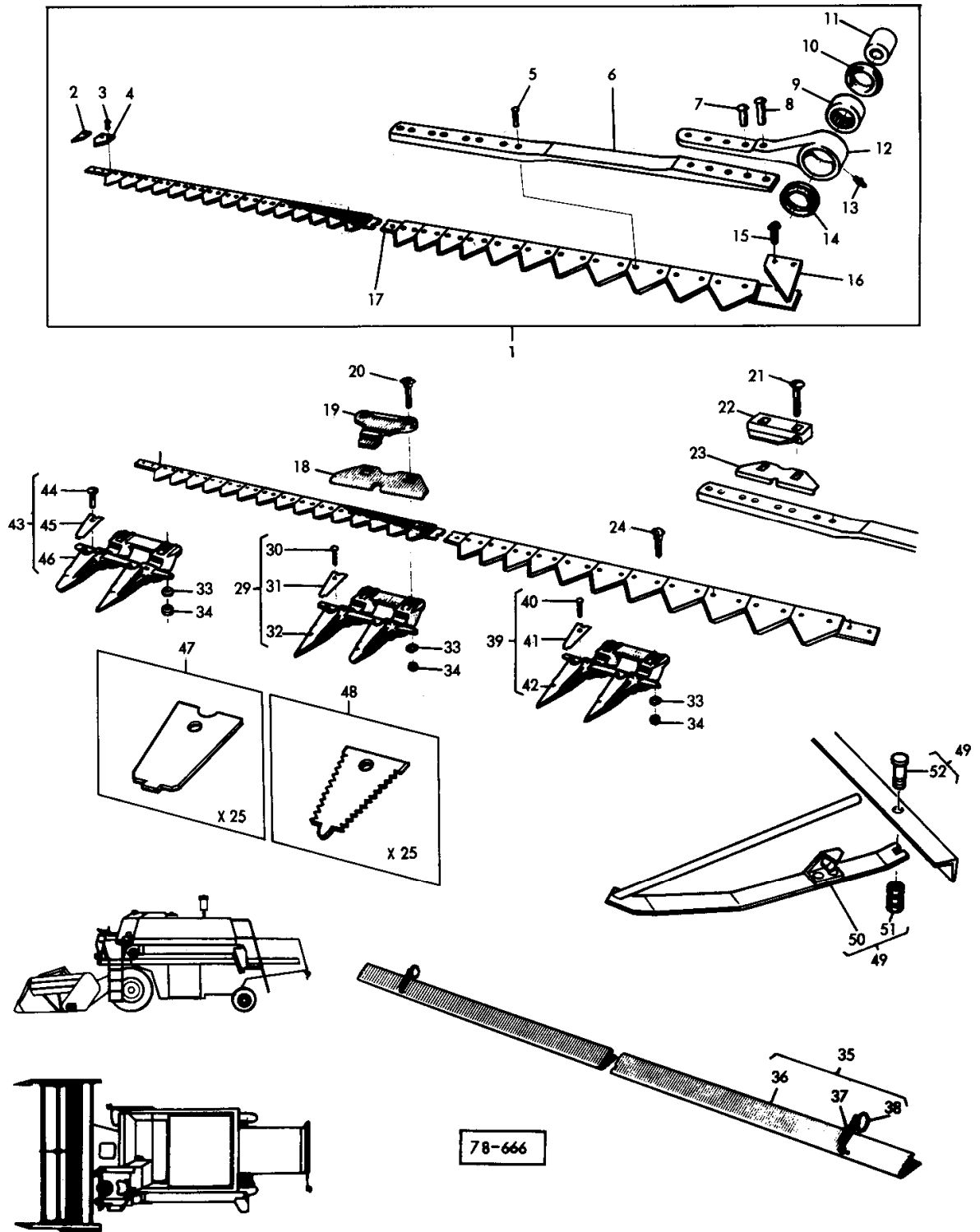


Page Title	Page Number
KNIFE	3
KNIFE DRIVE - WOBBLE TYPE	4
KNIFE DRIVE BOX - 1724135M91	7
DRIVE SHAFT	8
DRIVE SHAFT	11
REEL	12
REEL CARRIER	15
REEL DRIVE-HYDRAULIC ADJUSTING - 1720220M94	19
GOVERNOR PULLEY - 1720103M91	20
FRONT AUGER	23
FRONT AUGER	24
TABLE - QUICK ATTACH	27
GUARDS-TRANSMISSION	31
REEL GUARDS	32
DIVIDER	35
EXTENSION DIVIDERS	36
FEEDER ELEVATOR - FIXED COMPONENTS	39
FEEDER ELEVATOR - ROTATING COMPONENTS	43
ELEVATOR CHAIN - DETAILS	47
CYLINDER	48
GEAR BOX CYLINDER	51
CYLINDER DRIVE	52
REAR BEATER	56
CONCAVE	59
CONCAVE ADJUSTMENT	60
CONCAVE ADJUSTMENT	63
TRAP STONE	64
SHAKER SHOE	67
PAN	68
SCREEN	71
KIT SUSPENSION ARM	71A
SHAKER SHOE DRIVE	72
FANNING MILL	76
FANNING MILL ADJUSTMENT	79
STRAW WALKERS DRIVE	80
STRAW WALKER	83
GLEANINGS ELEVATOR	84
REAR HOOD	88
REAR AXLE GUARD	91
MACHINE HOUSING - FIXED COMPONENTS	92
MACHINE HOUSING - ROTATING COMPONENTS	99
GRAIN ELEVATOR	103
GRAIN TANK	107
GRAIN TANK	111
AUGER LOWER	115
AUGER LOWER	116
PLATE	119
DRIVING SHAFT FOR TANK UNLOADING	120
UNLOADER PIPE	124
BALANCE UNLOADER PIPE	127
ENGINE	128
HYDRAULIC PUMP - 905927M91	132
HYDRAULIC PUMP - 1628633M1	133B
ENGINE COVER ARRANGEMENT	135
FUEL TANK AND FUEL LINES	136
RADIATOR AND AIR CLEANER	139
PRE-FILTER - 230654M91,234006M91	141B
PRE-FILTER - 911188M2	141C
AIR FILTER - 916710M91	141F
AIR FILTER - 1604852M92	141G
ROTATING AIR INTAKE	143
ROTATING AIR INTAKE	144
ELECTRICAL EQUIPMENT	147
ELECTRICAL EQUIPMENT	148
ALTERNATOR - 1446923M91	151
ALTERNATOR - 906055M3	152

TABLE OF CONTENT

STARTER - 1860093M2	155
ENGINE POWER OUT PUT SHAFT - SUPPORT	156
CYLINDER DRIVE	159
CYLINDER DRIVE	163
GUARDS-TRANSMISSION - CYLINDER DRIVE	167
TRACTION DRIVE	168
CLUTCH	171
TRANSMISSION - TRACTION	175
TRANSMISSION	176
FRONT AXLE AND FINAL DRIVE	180
BRAKE AND BRAKE OPERATING	184
DRUM BRAKE - KNOTT	188
HAND BRAKE	191
MASTER CYLINDER - 418644M1	192
OPERATORS PLATFORM	195
SEAT	199
SEAT - SABLE	200
SEAT - FRITZMEIER	203
CONTROL PANEL	204
CONTROL PANEL	208
PANEL INSTRUMENTS	212
WIRING ALARM	215
STEERING	216
HYDROSTATIC STEERING PUMP	219
HYDROSTATIC STEERING PUMP	220
HYDROSTATIC STEERING PUMP - 1666682M91	221B
SAFETY BLOCK - GERMANY	223
REAR AXLE	224
HYDRAULIC EQUIPMENT - TABLE	227
TABLE LIFT - HYDRAULIC	231
HYDRAULIC - PUMP-VALVE	232
CONTAINER OIL - OIL	235D
HYDRAULIC - VALVE-RAM	236
RAM FOR REEL LIFT - 1748022M94	240
RAM FOR REEL LIFT - 419045M1	241B
RAM REEL ADJUSTING - 1748381M91,1748382M91	243
RAM FOR TABLE LIFT - 1748103M92	244
RAM FOR TABLE LIFT - 1748104M92	247
RAM - TRACTION	248
RAM - STEERING	251
CONTROL VALVE - DETAIL	252
CONTROL VALVE	255
CONTROL VALVE - 1722552M1	256
VALVE - 415572M1	257B
V-BELT	259
DRIVE BELTS AND CHAINS	260
LIGHTING	263
LIGHTING - CABLE	267
LIGHTING (HEAD LAMP AND TAIL LAMPS) - FRANCE	271
TRANSFER	275
TRANSFERS-FRENCH - FRENCH	276
GUARDS-TRANSMISSION	279
GUARDS RIGHT	283
GUARDS LEFT	284
UPPER GUARD	287
GUARDS LOWER	288
ROAD SIGN - GERMANY	291
TOOLS	292

LAME
 MESSER
 CUCHILLA
 KNIFE



KNIFE

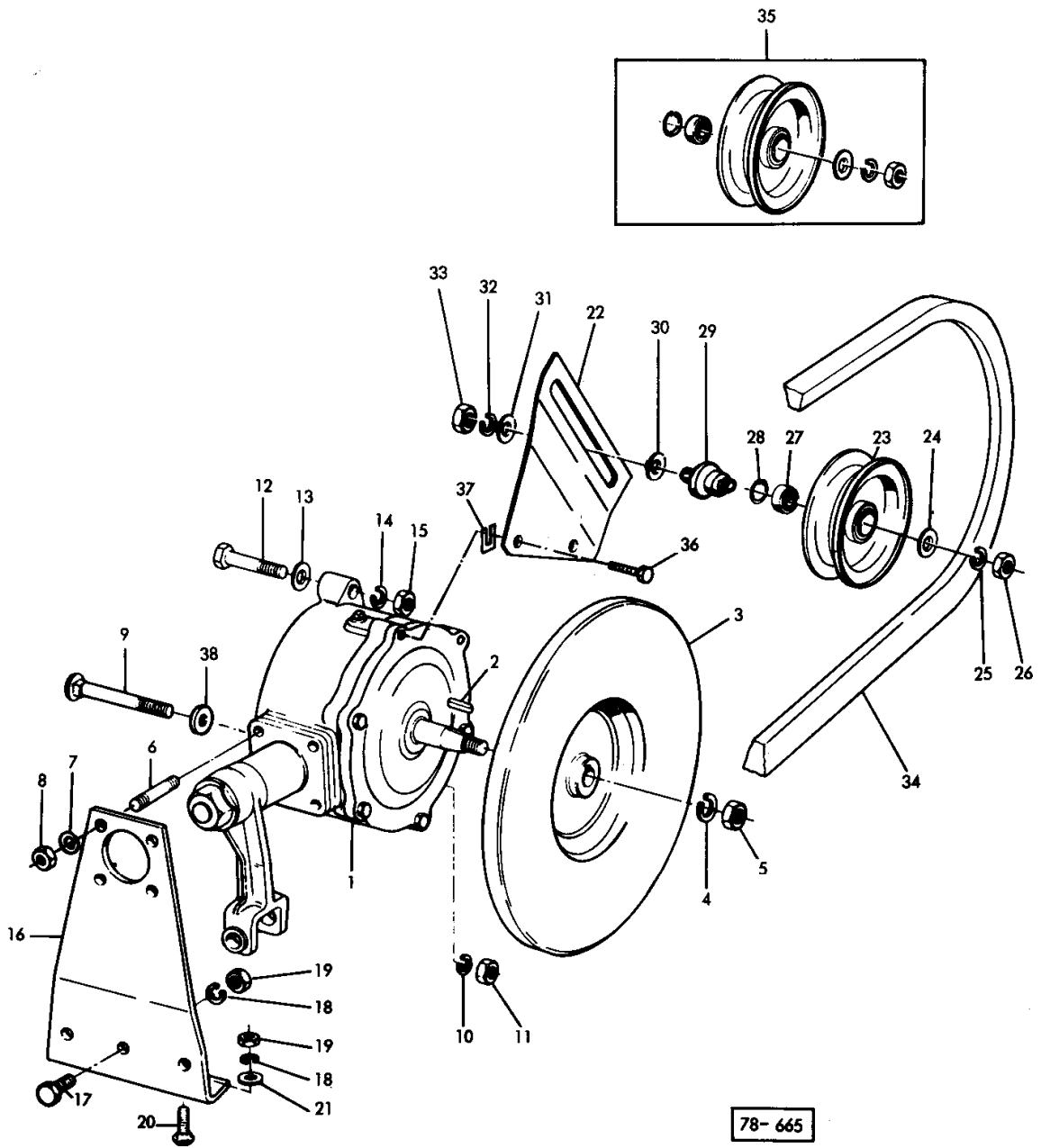
Item	Part Number	Qty	Description	Comments
1	1723545M92	2	Knife	(A) (G)
	1724687M91	1	Knife	(B) (G)
	1721354M92	2	Knife	(A) (H)
	1724688M91	1	Knife	(B) (H)
2	790863M1	1	Section	
3	391493X1	74	Rivet	(G)
	391493X1	90	Rivet	(H)
4	206236M1	39	Section	(A) (G)
	206236M1	47	Section	(A) (H)
	210987M1	39	Section	(B) (G)
	210987M1	47	Section	(B) (H)
5	1441934X1	8	Rivet	
6	785583M1	1	Spring	
7	29140X	4	Rivet	
8	29142X	1	Rivet	
9	833083M1	1	Bearing Needle	
10	831225M1	1	Seal	
11	239242M1	1	Roller	
12	785584M1	1	Head	
13	13811X	1	Grease Nipple	
14	831225M1	1	Seal	
15	391493X1	2	Rivet	
16	647116M1	1	Section	
17	1724506M1	1	Support	(G)
	1724507M1	1	Bearer	(H)
18	206196M1	10	Guide	(G)
	206196M1	12	Guide	(H)
19	206195M1	8	Clip	(G)
	206195M1	10	Clip	(H)
20	1442457X1	16	Bolt Metric	(G)
	1442457X1	20	Bolt Metric	(H)
21	1441671X1	2	Bolt Metric	
22	876506M1	1	Bracket	
23	206196M1	10	Guide	(G)
	206196M1	12	Guide	(H)
24	1442456X1	22	Screw	(G)
	1442456X1	26	Screw	(H)
29	917471M1	1	Finger	Left Hand
30	1442830X1	2	Rivet	
31	206280M1	2	Plate	(C) (E)
	789351M1	2	Plate	(D) (F)
32		1		Not serviced, order 29
33	339534X1	40	Washer Metric	(G)
	339534X1	48	Washer Metric	(H)
34	339402X1	40	Nut Metric	(G)
	339402X1	48	Nut Metric	(H)
35	402729M91	1	Guard	(G)
	403810M91	1	Guard	(H)
36		1		Not serviced, order 35
37	322980M1	2	Spring	
38	322979M1	2	Knotter Hook	
39	609993M91	18	Finger	(G)
	609993M91	22	Finger	(H)
40	1442830X1	37	Rivet	(G)
	1442830X1	45	Rivet	(H)
41	206280M1	37	Plate	(C) (E) (G)
	206280M1	45	Plate	(C) (E) (H)
	789351M1	37	Plate	(D) (F) (G)
	789351M1	45	Plate	(D) (F) (H)
42		18		Not serviced, order 39
				(G)
42		22		Not serviced, order 39
				(H)
43	917472M1	1	Finger	Right Hand
44	1442830X1	2	Rivet	
45	206280M1	2	Plate	(C) (E)
	789351M1	2	Plate	(D) (F)
46		1		Not serviced, order 43
47	685592M91	1	Plate	
48	1630932M91	1	Plate	

KNIFE

Item	Part Number	Qty	Description	Comments
49	1718447M91	X	Ear Lifter	
50		1		Not serviced, order 49
51	1616397M1	1	Nut	
52	1442868X1	1	Bolt Metric	
				(A)
				SERATED VERSION
				(B)
				SMOOTH VERSION
				(C)
				Up to Serial or Engine Number
				(D)
				From Serial or Engine Number
				(E)
				Not serviced, order 685592M91
				(F)
				Not serviced, order 1630932M91
				(G)
				12'
				(H)
				10'

4

COMMANDE DE LAME - TYPE OSCILLANTE
 MESSERANTRIEB - TAUMELANTRIEB
 MANDO DE LA CUCHILLA - TIPO OSCILLANTE
 KNIFE DRIVE - WOBBLE TYPE



MASSEY FERGUSON

MF 507 COMBINE - 1646106

1646106

KNIFE DRIVE - WOBBLE TYPE

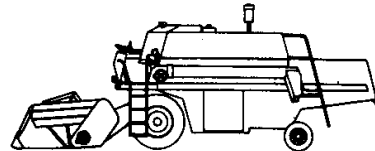
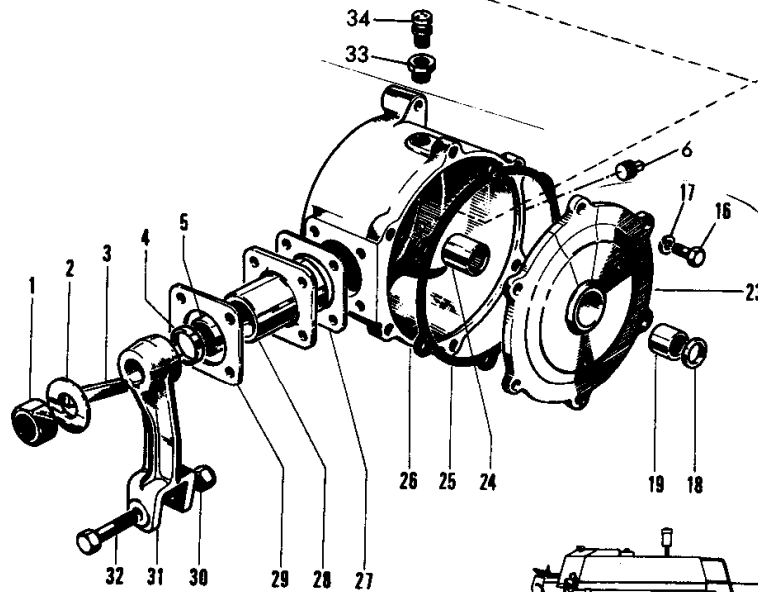
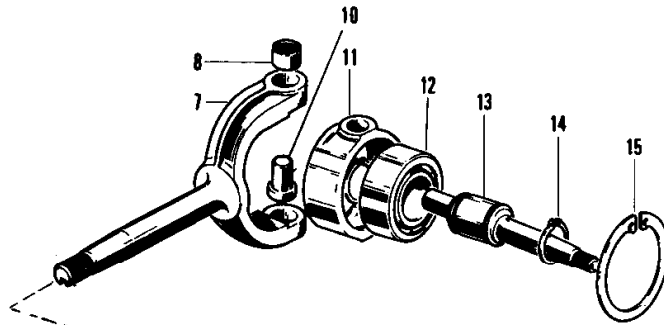
4

Item	Part Number	Qty	Description	Comments
1	1724135M91	1	Wobble Drive	(A)
2	1721356M1	1	Key Door	WOBBLE TYPE
3	1725089M2	1	Pulley	
4	339377X1	1	Lock Washer	
5	353427X1	1	Nut Unf	
6	357133X1	4	Stud	
7	609930M1	4	Washer	
8	353426X1	4	Nut Unf	
9	391231X1	1	Bolt Metric	
10	339376X1	1	Lock Washer	
11	339402X1	1	Nut Metric	
12	339679X1	1	Screw Metric	
13	391396X1	1	Washer Metric	
14	339376X1	1	Lock Washer	
15	339402X1	1	Nut Metric	
16	1721348M1	1	Bracket	
17	339814X1	3	Screw Metric	
18	339376X1	6	Lock Washer	
19	339402X1	6	Nut Metric	
20	390809X1	3	Bolt Metric	
21	339025X1	3	Washer Metric	
22	916649M1	1	Support	
23	213736M1	1	Pulley	
24	353774X1	1	Washer	
25	353433X1	1	Lock Washer	
26	353429X1	1	Nut Unf	
27	22258X	1	Bearing Assy	
28	208230M1	1	Ring	
29	916003M1	1	Pin	
30	391102X1	1	Washer Metric	
31	339072X1	1	Washer	
32	339380X1	1	Washer	
33	339070X1	1	Nut	
34	410959M1	1	Belt	
35	621579M91	1	Pulley	
36	353679X1	2	Screw Unc	
37	261428M1	X	Washer	
38	196107M1	1	Washer	

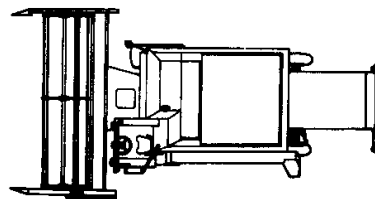
(A)

See Page - Reference Number 6

BOITIER DE COMMANDE DE LAME	}	1 724 135 M91
MESSERANTRIEBGEHAUSE		
CAJA DE MANDO DE LA CUCHILLA		
KNIFE DRIVE BOX		



77-139



MASSEY FERGUSON**MF 507 COMBINE - 1646106**

1646106

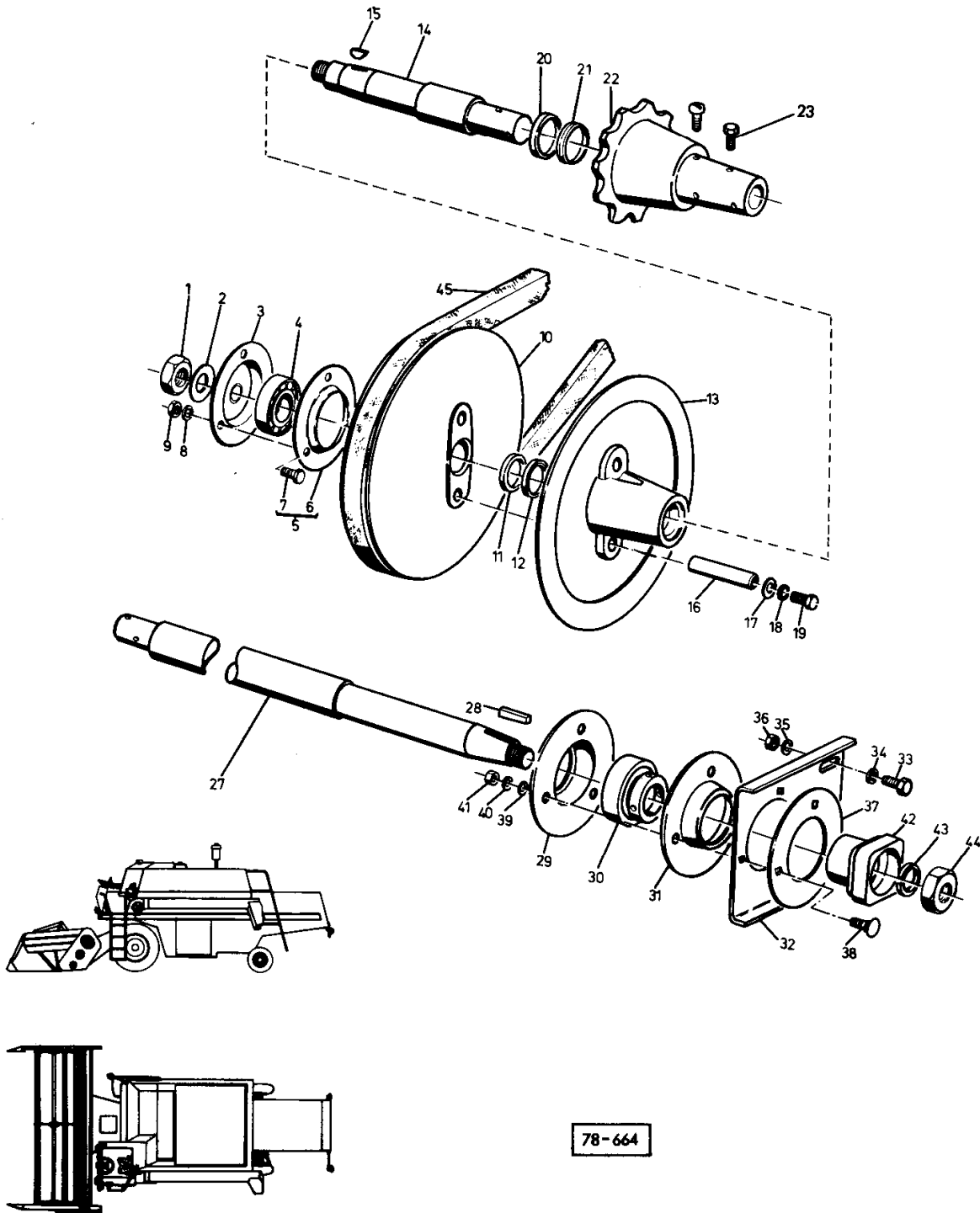
KNIFE DRIVE BOX - 1724135M91

7

Item	Part Number	Qty	Description	Comments
				1724135M91
1	355646X1	1	Nut Unf	
2	239497M1	1	Washer	
3	49378X	1	Key	
4	834782M1	2	Seal	
5	833346M1	2	Bearing	
6	375181X1	1	Plug	
7	261606M1	1	Yoke	
8	832879M1	2	Bearing	
10	249149M3	2	Pin	
11	249148M4	1	Housing	
12	833309M1	1	Bearing	
13	239598M2	1	Shaft	
14	364553X1	2	Ring	
15	367504X1	1	Ring	
16	353678X1	6	Screw Unc	
17	353446X1	6	Lock Washer	
18	831135M1	2	Seal	
19	843282M1	1	Bearing	
23	236568M1	1	Cover	
24	843283M1	1	Bearing	
25	236567M1	1	Gasket	
26	236566M1	1	Housing	
27	236579M1	1	Gasket	
28	261607M1	1	Flange	
29	236580M1	X	Spacer	(A)
	785613M1	X	Spacer	(A)
30	357561X1	1	Nut Unf	
31	239160M2	1	Arm	
32	238499M1	1	Bolt	
33	362007X1	1	Reducer	
34	182099M91	1	Breather	
				(A)
				Alternative

8

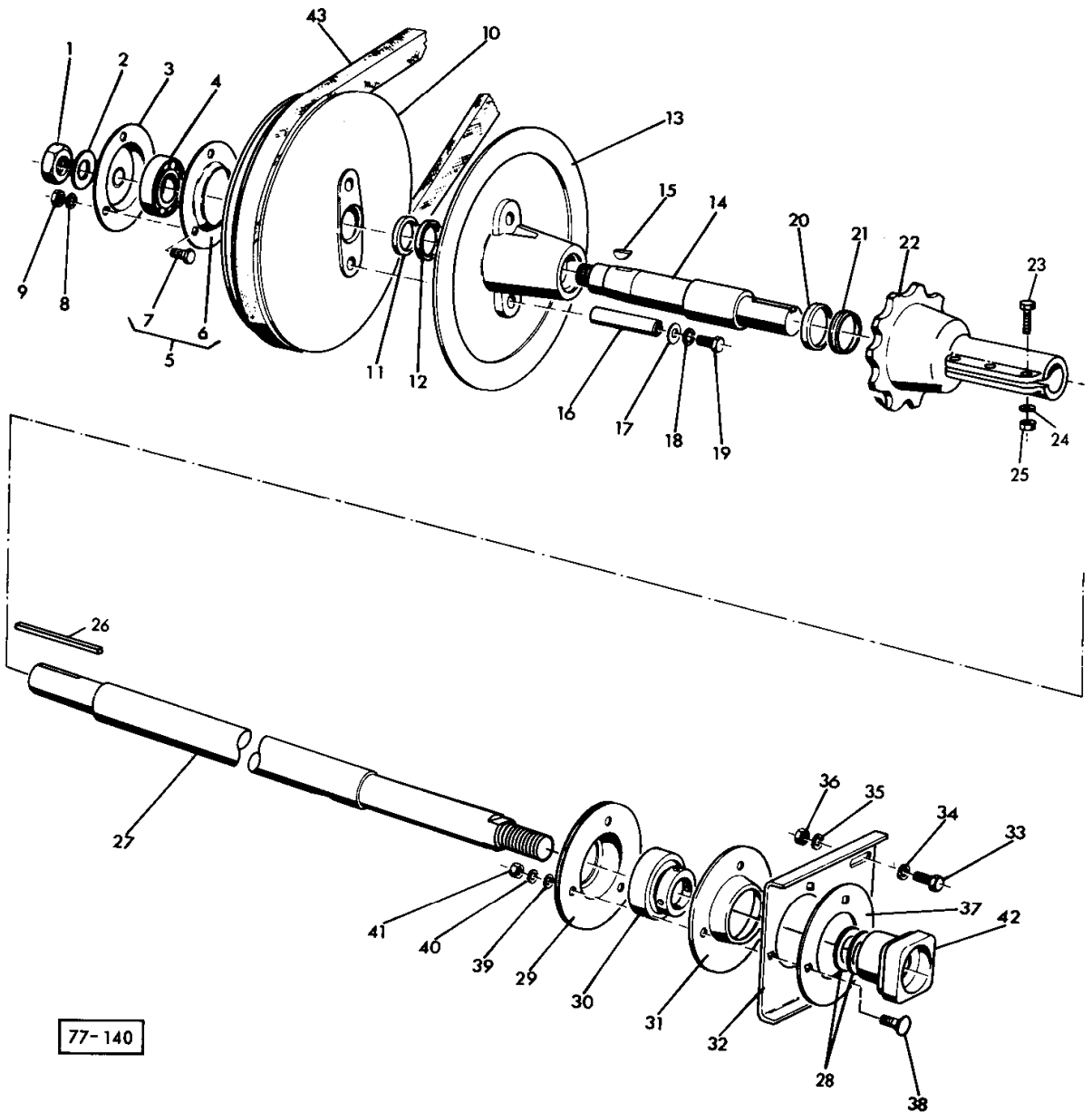
ARBRE DE COMMANDE }
 SCHNEIDWERKVORGELEGE }
 EJE DEL MANDO } → N° W 33 320 99
 DRIVE SHAFT }



DRIVE SHAFT

Item	Part Number	Qty	Description	Comments
				Up to Serial or Engine Number NW3332099
1	390197X1	1	Nut Metric	
2	391383X1	1	Washer Metric	
3	22691X	1	Flange	
4	1721404M1	1	Bearing Assy	
5	1722887M91	1	Flange	
6	22691X	1	Flange	
7	391134X1	3	Bolt Metric	
8	339376X1	3	Lock Washer	
9	339402X1	3	Nut Metric	
10	905445M1	1	Pulley	
11	1441844X1	1	Joint	
12	1441842X1	1	Joint	
13	905446M1	1	Pull	
14	1604094M2	1	Shaft	
15	391727X1	1	Pin	
16	1720793M1	2	Pin	
17	1440295X1	2	Washer	
18	339374X1	2	Lock Washer	
19	339123X1	2	Screw Metric	
20	1441843X1	1	Bush	
21	1441845X1	1	Joint	
22	1604100M1	1	Sprocket	
23	353548X1	4	Bolt Unf	
	353431X1	4	Nut Unf	
27	1603450M1	1	Countershaft	(A)
				(D)
	1604095M3	1	Shaft	(A)
				(C)
	1603451M1	1	Countershaft	(B)
				(D)
	1604096M3	1	Shaft	(B)
				(C)
28	49378X	1	Key	
29	410584M1	1	Ring	
30	410583M1	1	Bearing	
31	410585M1	1	Ring	
32	905646M1	1	Bearing	
33	339237X1	3	Screw	
34	339534X1	6	Washer Metric	
35	339376X1	3	Lock Washer	
36	339402X1	3	Nut Metric	
37	1725004M1	1	Disc	
38	390809X1	3	Bolt Metric	
39	339534X1	3	Washer Metric	
40	339376X1	3	Lock Washer	
41	339402X1	3	Nut Metric	
42	249674M1	1	Hub	(C)
	1603452M1	1	Union	(D)
43	339379X1	1	Washer	
44	390197X1	1	Nut Metric	
45	905447M1	1	Belt	
				(A)
				10'
				(B)
				12'
				(C)
				Up to Serial or Engine Number NE3310899
				(D)
				From Serial or Engine Number NE3310901

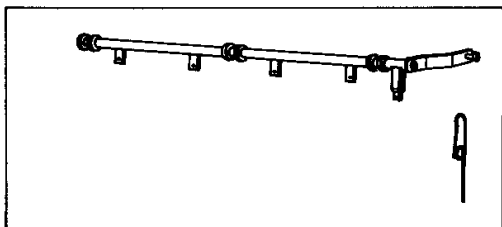
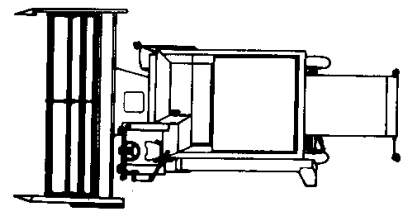
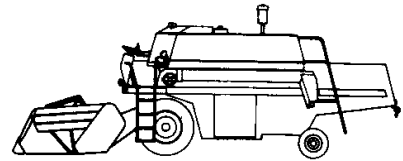
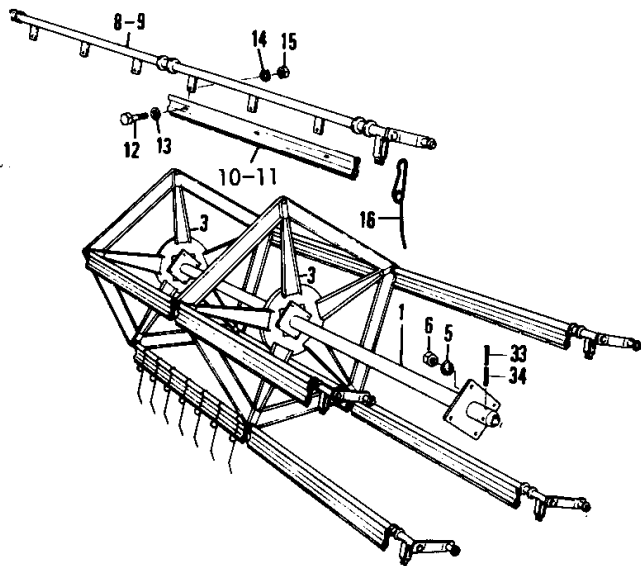
ARBRE DE COMMANDE
 SCHNEIDWERKVORGELEGE
 EJE DEL MANDO
 DRIVE SHAFT } N° W 33 321 01 →



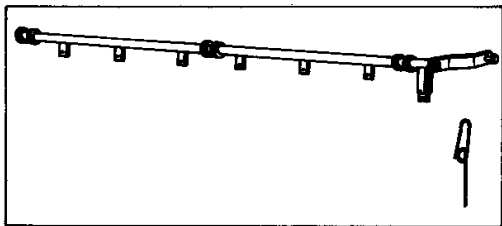
DRIVE SHAFT

Item	Part Number	Qty	Description	Comments
				From Serial or Engine Number W3332101
1	390197X1	1	Nut Metric	
2	391383X1	1	Washer Metric	
3	22691X1	1	Flange	
4	1721404M1	1	Bearing Assy	
5	1722887M91	1	Flange	
6	22691X1	1	Flange	
7	391134X1	3	Bolt Metric	
8	339376X1	3	Lock Washer	
9	339402X	3	Nut	
10	905445M1	1	Pulley	
11	1441844X1	1	Joint	
12	1441842X1	1	Joint	
13	905446M1	1	Pull	
14	1604799M1	1	Shaft	
15	391727X1	1	Pin	
16	1720793M1	2	Pin	
17	1440295X1	2	Washer	
18	339374X1	2	Lock Washer	
19	339123X1	2	Screw Metric	
20	1441843X1	1	Bush	
21	1441845X1	1	Joint	
22	1604798M1	1	Pinion	Number of teeth/spines 12
23	339403X1	3	Screw	
24	390735X1	3	Washer Metric	
25	1440330X1	3	Locknut	
26	339591X1	1	Key	
27	1604795M1	1	Shaft	(B)
	1604796M1	1	Shaft	(A)
28	1603453M1	1	Washer	
	1603454M1	1	Washer	
29	410584M1	2	Ring	
30	410583M1	2	Bearing	
31	410585M1	2	Ring	
32	905646M1	2	Bearing	
33	390809X1	6	Bolt Metric	
34	339534X1	12	Washer Metric	
35	339376X1	6	Lock Washer	
36	339402X1	6	Nut Metric	
37	1725004M1	2	Disc	
38	339237X1	6	Screw	
39	339534X1	6	Washer Metric	
40	339376X1	6	Lock Washer	
41	339402X1	6	Nut Metric	
42	1603452M2	1	Coupler	
43	905447M1	1	Belt	
				(A)
				10'
				(B)
				12'

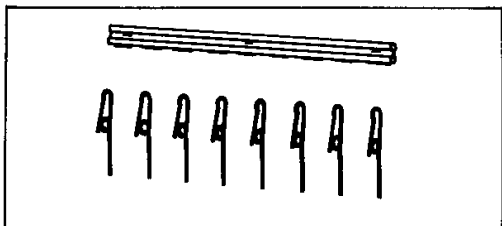
RABATTEUR
HASPEL
MOLINETE
REEL



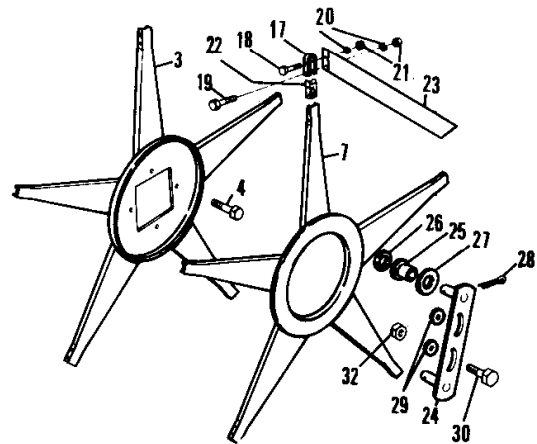
35



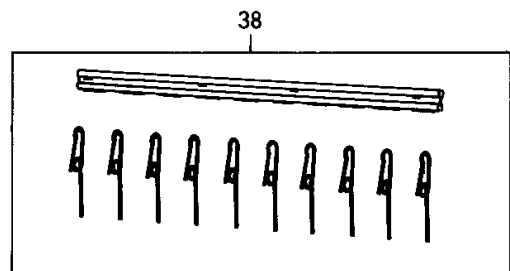
36



37



78- 663



38

Buy Now



Our support email:

ebooklibonline@outlook.com