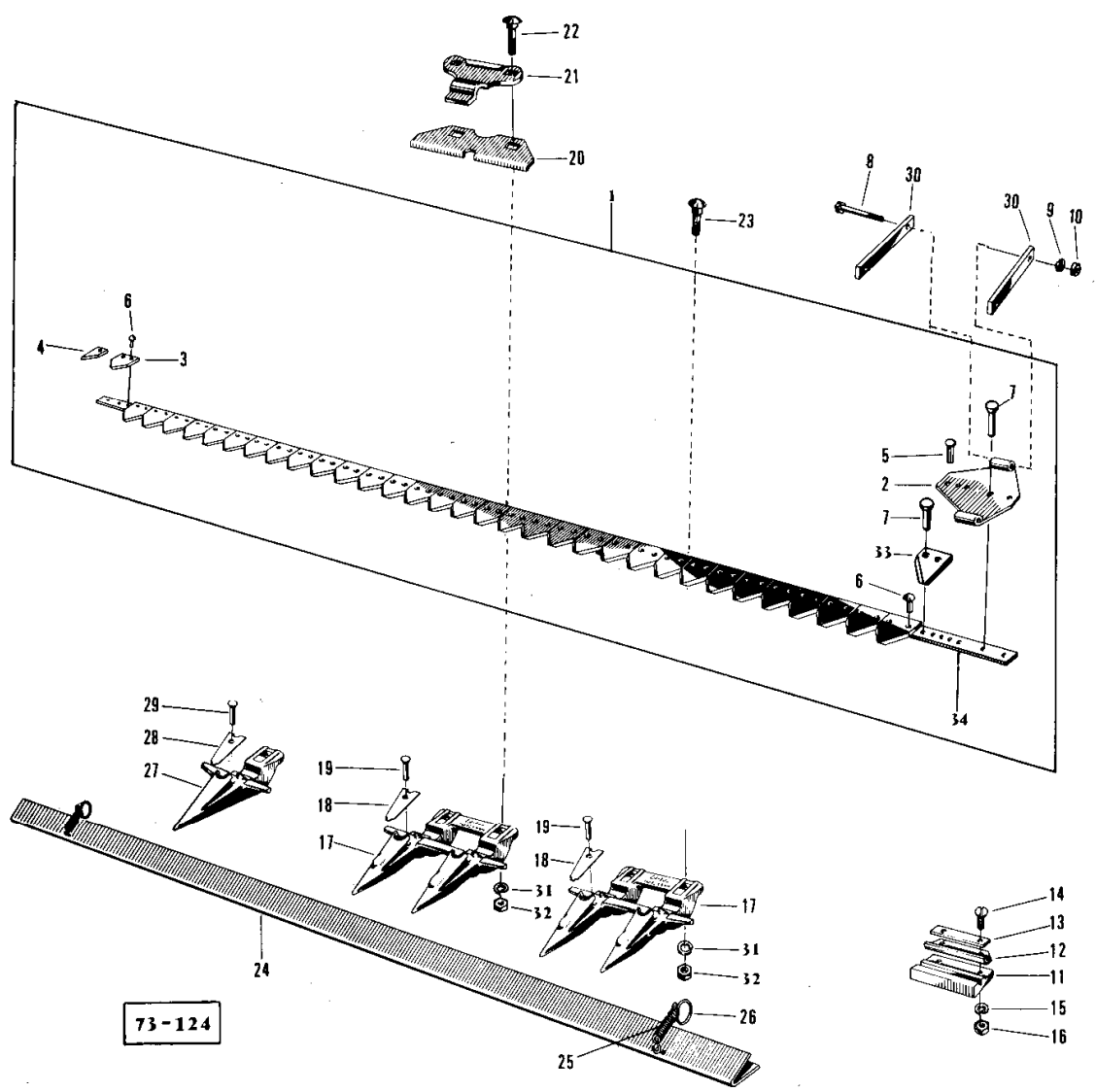


Page Title	Page Number
KNIFE CRANK DRIVE	3
KNIFE WOBBLE DRIVE - 10'	4
KNIFE DRIVE - 8'	7
KNIFE DRIVE - 10'	8
WOBBLE DRIVE - 1724135M91	11
DRIVE SHAFT - 8'	12
DRIVE SHAFT - 10'	15
REEL	16
REEL CARRIER - GOVERNOR PULLEY MECHANICAL ADJUSTING	19
REEL CARRIER - GOVERNOR PULLEY MECHANICAL ADJUSTING	20
REEL DRIVE-HYDRAULIC ADJUSTING - GOVERNOR PULLEY MECHANICAL ADJUSTING	23
REEL DRIVE-HYDRAULIC ADJUSTING - GOVERNOR PULLEY MECHANICAL ADJUSTING	24
GOVERNOR PULLEY - 1720103M91	27
FRONT AUGER	28
FRONT AUGER	31A
TABLE	32
TABLE CLUTCH	36
DIVIDERS	39
EXTENSION DIVIDERS	43
GUARDS-TRANSMISSION - 8'	44
GUARDS-TRANSMISSION - 10'	47
ADDITIONAL GUARDS - STD	48
FENDER ELEVATOR - HOUSING	51
FEEDER ELEVATOR - DRUM, CHAIN	52
REAR BEATER	55
CYLINDER	56
CYLINDER DRIVE	59
GEAR BOX CYLINDER	63
CONCAVE	64
CONCAVE ADJUSTMENT	67
SHAKER SHOE	68
PAN	71
SCREEN	72
SHAKER SHOE DRIVE	75
FANNING MILL	76
FANNING MILL ADJUSTMENT	79
STRAW WALKER	80
STRAW WALKERS DRIVE	83
GLEANINGS ELEVATOR	84
MACHINE HOUSING (INTERNAL FIXED COMPONENTS) - INTERNAL FIXED COMPONENTS	87
MACHINE HOUSING - EXTERNAL FIXED COMPONENTS	88
MACHINE HOUSING (ROTATING COMPONENTS) - ROTATING COMPONENTS	92
HOOD	96
GRAIN ELEVATOR	99
GRAIN TANK	100
AUGER LOWER	104
AUGER DIVIDER	107
DRIVING SHAFT FOR UNLOADING	108
UNLOADER PIPE	112
BALANCE UNLOADER PIPE	115
ENGINE COVER ARRANGEMENT	116
FRAME ENGINE	119
ENGINE	120
FUEL TANK	123
EXHAUST - AIR FILTER	124
AIR FILTER	125B
RADIATOR - ROTATING AIR INTAKE - ROTATING AIR INTAKE-COUNTER SHAFT	127
RADIATOR EQUIPMENT	128
ELECTRICAL EQUIPMENT - LUCAS	131
ELECTRICAL EQUIPMENT - LUCAS	131A
ALTERNATOR - 1446923M91	131D
DYNAMO - 897104M92	132
STARTER - LUCAS	135
ENGINE POWER OUT PUT SHAFT	136
CYLINDER DRIVE	139
GUARDS FOR CYLINDER DRIVE	143

TABLE OF CONTENT

TRACTION DRIVE VARIATOR	144
CLUTCH	147
CLUTCH DRIVE	148
TRANSMISSION - TRACTION	151
TRANSMISSION	152
FRONT AXLE AND WHEEL	156
BRAKE OPERATING	159
DRUM BRAKE - KNOTT	163
DRUM BRAKE - PERROT	164
MASTER CYLINDER - 418644M1	167
HANDBRAKE	168
OPERATORS PLATFORM	171
LADDER RAILS	171A
SEAT - SABLE	172
SEAT - FRITZMEIER	175
CONTROL PANEL	176
PANEL INSTRUMENTS	179
STEERING	180
HYDROSTATIC STEERING PUMP	183
STEERING UNIT-ORBITROL-HYDROSTATIC	183A
SAFETY BLOCK - GERMANY	183D
REAR AXLE	184
HYDRAULIC FOR TABLE - 8'	187
HYDRAULIC (TABLE)	188
TABLE LIFT	191
HYDRAULIC (PUMP VALVE)	192
HYDRAULIC (VALVE - RAM)	196
OIL CONTAINER AND HYDRAULIC PUMP	197C
HYDRAULIC PUMP - 1604632M1	197F
OIL CONTAINER	197G
RAM FOR TRACTION - 1748000M93	199
RAM FOR TABLE LIFT - 1748013M94	200
RAM FOR REEL LIFT - 1748022M93	203
RAM (STEERING) - 1748044M93	204
VALVE - 417246M1	207
CONTROL VALVE	208
VALVE - 619663M1	211
HYDRAULIC PUMP WITH CONTAINER	212
LIGHTING - UK 8' 10'	215
LIGHTING - FRANCE	216
LIGHTING (HEAD LAMP AND TAIL LAMPS) - FRANCE	220
TRANSFERS-FRENCH - TABLE	224
TRANSFERS RIGHT	227
TRANSFERS LEFT - STANDARD	228
UPPER GUARDS	231
GUARDS LOWER	232
GUARDS RIGHT - STANDARD	235
GUARDS LEFT	236
LADDER REAR	239
TOOLS	240
DRIVE BELTS AND CHAINS	243

LAME  
MESSER  
KNIFE } 8'

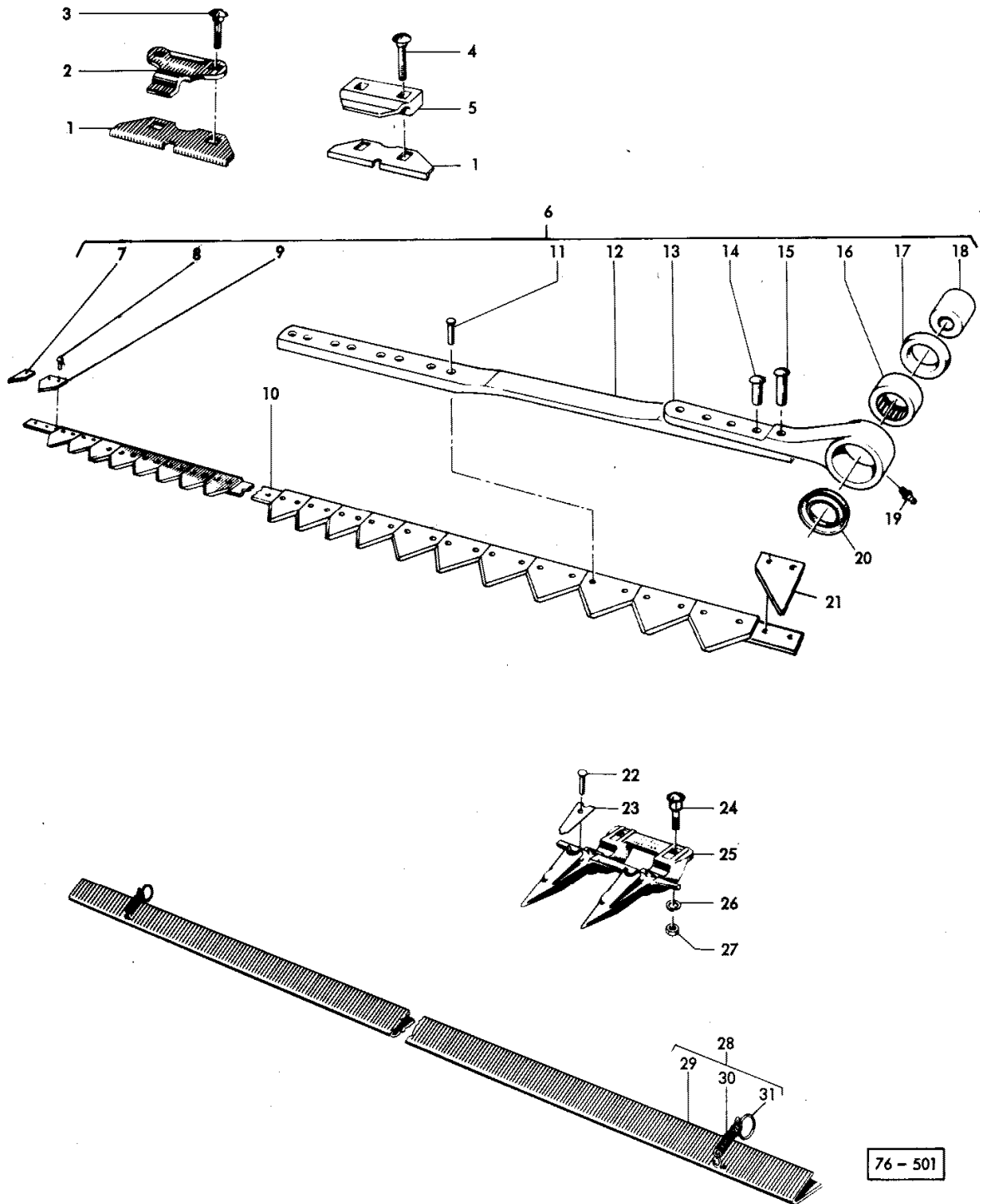


KNIFE CRANK DRIVE

Item	Part Number	Qty	Description	Comments
1	402320M93	2	Knife	(A)
	402320M93	1	Knife	(B)
	417836M1	1	Knife	(B)
2	1724499M91	2	Head	(A)
	1724499M91	1	Head	(B)
3	206236M1	66	Section	(A)
	206236M1	33	Section	(B)
	210987M1	33	Section	(B)
4	790863M1	2	Section	(A)
	790863M1	1	Section	(B)
5	339419X1	10	Rivet	(A)
	339419X1	4	Rivet	(B)
6	391493X1	136	Rivet	(A)
	391493X1	68	Rivet	(B)
7	391498X1	4	Rivet	(A)
	391498X1	3	Rivet	(B)
8	339204X1	2	Screw	(A) (B)
9	339376X1	2	Lock Washer	(A) (B)
10	339402X1	2	Nut Metric	(A) (B)
11	404410M1	1	Guide	(A) (B)
12	404409M1	1	Guide	(A) (B)
13	404795M1	1	Plate	(A) (B)
14	390640X1	2	Screw Metric	(A) (B)
15	339376X1	2	Lock Washer	(A) (B)
16	339402X1	2	Nut Metric	(A) (B)
17	609993M91	17	Finger	(A)
18		34		Not serviced, order 17 (A)
19		34		Not serviced, order 17 (A)
20	206196M1	8	Guide	(A) (B)
21	206196M1	8	Guide	(A) (B)
22	1442457X1	16	Bolt Metric	(A) (B)
23	1442456X1	18	Screw	(A) (B)
24	402727M91	1	Shield	(A) (B)
25	322980M1	2	Spring	(A) (B)
26	322979M1	2	Knotter Hook	(A) (B)
27	789346M91	34	Guard	(B)
28		34		Not serviced, order 27 (B)
29		34		Not serviced, order 27 (B)
30	402321M1	2	Plate	(A) (B)
31	339534X1	34	Washer Metric	(A) (B)
32	339402X1	34	Nut Metric	(A) (B)
33	647116M1	2	Section	(A)
	647116M1	1	Section	(B)
34	1724501M1	2	Stem	(A)
	1724501M1	1	Stem	(B)
	1724505M1	2	Bearer	(A)
	1724505M1	1	Bearer	(B)
				(A)
				2 SERATED VERSION
				(B)
				1 SERATED VERSION + 1 SMOOTH VERSION

4

LAME COMMANDE OSCILLANTE }  
 MESSER TAUMELANTRIEB } 10'  
 KNIFE WOBBLE DRIVE }



76 - 501

KNIFE WOBBLE DRIVE - 10'

Item	Part Number	Qty	Description	Comments
1	206196M1	10	Guide	(A)
	206196M1	8	Guide	(B)
2	206195M1	8	Clip	(A)
	206195M1	6	Clip	(B)
3	1442457X1	16	Bolt Metric	(A)
	1442457X1	16	Bolt Metric	(B)
4	1441671X1	2	Bolt Metric	(A) (B)
5	786506M1	1	Clip	(A) (B)
6	1723545M92	1	Knife	(A)
				10'
	1724687M91	1	Knife	(B)
				10'
	1723543M92	2	Knife	(A)
				8'
	1723543M92	1	Knife	(B)
				8'
	1724686M91	1	Knife	(B)
7	790863M1	2	Section	(A)
	790863M1	1	Section	(B)
8	391493X1	148	Rivet	(A)
	391493X1	74	Rivet	(B)
9	206236M1	78	Section	(A)
	210987M1	39	Section	(B)
10	1724506M1	2	Support	(A)
	1724506M1	1	Support	(B)
11	36493X	16	Rivet	(A)
	36493X	8	Rivet	(B)
12	785583M1	2	Spring	(A)
	785583M1	1	Spring	(B)
13	785584M1	2	Head	(A)
	785584M1	1	Head	(B)
14	29140X	8	Rivet	(A)
	29140X	4	Rivet	(B)
15	29142X	2	Rivet	(A)
	29142X	1	Rivet	(B)
16	883083X	2	Bearing Needle	(A)
	883083X	1	Bearing Needle	(B)
17	831225M1	2	Seal	(A)
	831225M1	1	Seal	(B)
18	239242M1	2	Roller	(A)
	239242M1	1	Roller	(B)
19	13811X	2	Grease Nipple	(A)
	13811X	1	Grease Nipple	(B)
	200191M1	2	Nipple	(A)
	200191M1	1	Nipple	(B)
20	831225M1	2	Seal	(A)
	831225M1	1	Seal	(B)
21	647116M1	2	Section	(A)
	647116M1	1	Section	(B)
22		40		Not serviced, order 25 (A)
22		34		Not serviced, order 25 (B)
23		40		Not serviced, order 25 (A)
23		34		Not serviced, order 25 (B)
24	1442456X1	22	Screw	(A)
	1442456X1	20	Screw	(B)
25	609993M91	20	Finger	(A)
	609993M91	17	Finger	(B)
26	339534X1	40	Washer Metric	(A)
	339534X1	34	Washer Metric	(B)
27	339402X1	40	Nut Metric	(A)
	339402X1	34	Nut Metric	(B)
28	402729M91	1	Guard	(A)
29	402728M1	1	Shield	Not serviced, order 28 (B)
	402730M1	1	Shield	Not serviced, order 28 (A)

MASSEY FERGUSON

MF 307 COMBINE - 1646196

1646196

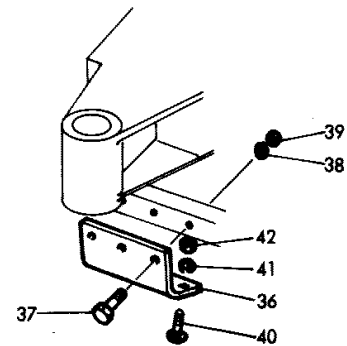
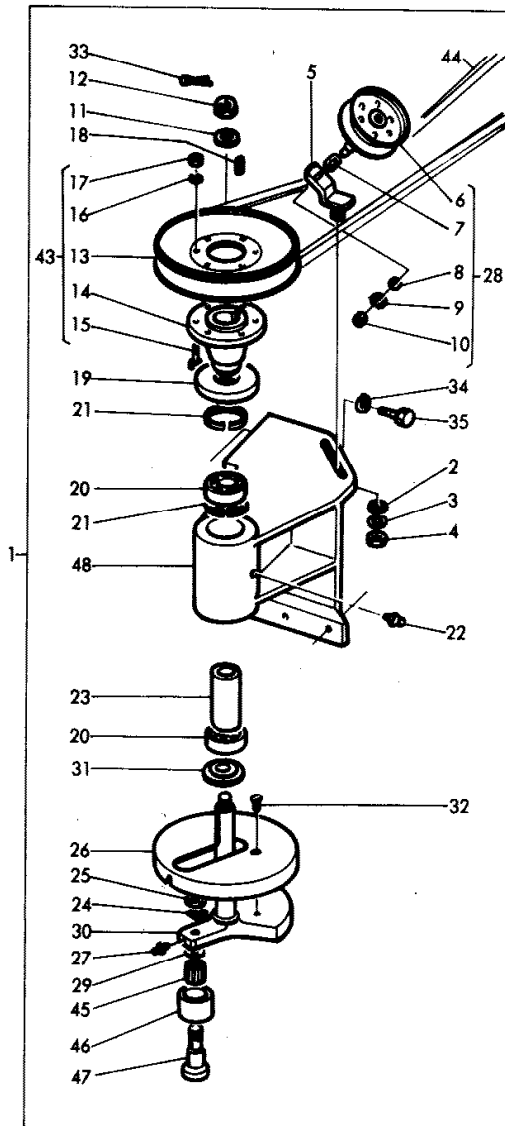
KNIFE WOBBLE DRIVE - 10'

4

Item	Part Number	Qty	Description	Comments
30	322980M1	2	Spring	(A) (B)
31	322979M1	2	Knotter Hook	(A) (B)
				(A)
				2 SERATED VERSION
				(B)
				1 SERATED VERSION + 1 SMOOTH VERSION

REF.	N° PIECE	DESIGNATION	BENENNUNG	DESCRIPTION	Qté
------	----------	-------------	-----------	-------------	-----

COMMANDE DE LAME }  
 MESSERANTRIEB } 8'  
 KNIFE DRIVE }



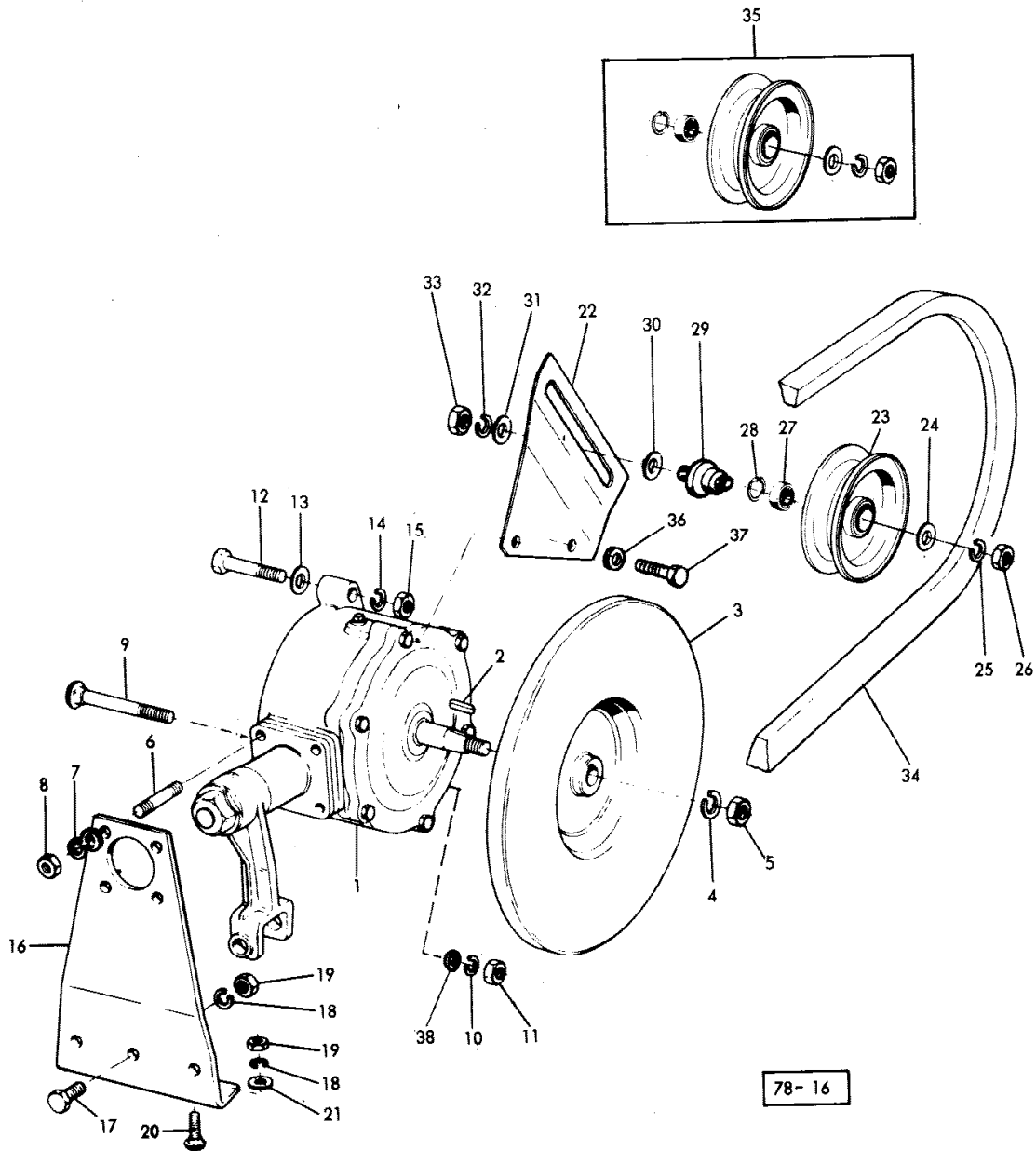
78- 15



KNIFE DRIVE - 8'

Item	Part Number	Qty	Description	Comments
1	417264M91	1	Bracket	
2	339072X1	1	Washer	
3	339380X1	1	Washer	
4	339070X1	1	Nut	
5	417205M91	1	Bearer	
6	416580M91	1	Pulley	
7	416584M1	1	Washer	
8	339072X1	1	Washer	
9	339380X1	1	Washer	
10	339070X1	1	Nut	
11	391459X1	1	Washer Metric	
12	391232X1	1	Nut	
13	403735M91	1	Pulley	
14	417267M1	1	Hub	
15	339666X1	6	Screw Metric	
16	33937X1	6	Washer	
17	339030X1	6	Nut Metric	
18	391411X1	1	Key Door	
19	417268M1	1	Plate	
20	1440489X1	2	Bearing Ball	
21	339199X1	2	Ring	
22	339003X1	1	Greaser	
23	417269M1	1	Tube	
24	414833M1	1	Pin	
25	339070X1	1	Nut	
26	402997M1	1	Cover	
27	390843X1	1	Nipple	
28	416579M91	1	Pulley	
29	412381M1	1	Washer	
30	417270M91	1	Shaft	
31	417273M1	1	Washer	
32	339153X1	2	Screw Metric	
33	390448X1	1	Pin	
34	339374X1	2	Lock Washer	
	339169X1	2	Nut Metric	
35	339123X1	2	Screw Metric	
36	404411M1	1	Anglepiece	
37	339814X1	3	Screw Metric	
38	339376X1	3	Lock Washer	
39	339402X1	3	Nut Metric	
40	390809X1	3	Bolt Metric	
41	339025X1	3	Washer Metric	
42	339402X1	3	Nut Metric	
43	417266M91	1	Pulley	
44	402607M1	1	Belt	
45	339569X1	1	Bearing	
46	323478M1	1	Roller	
47	412382M1	1	Trunnion	
48	417265M1	1	Bracket	

COMMANDE DE LAME }  
 MESSERANTRIEB } 10'  
 KNIFE DRIVE }

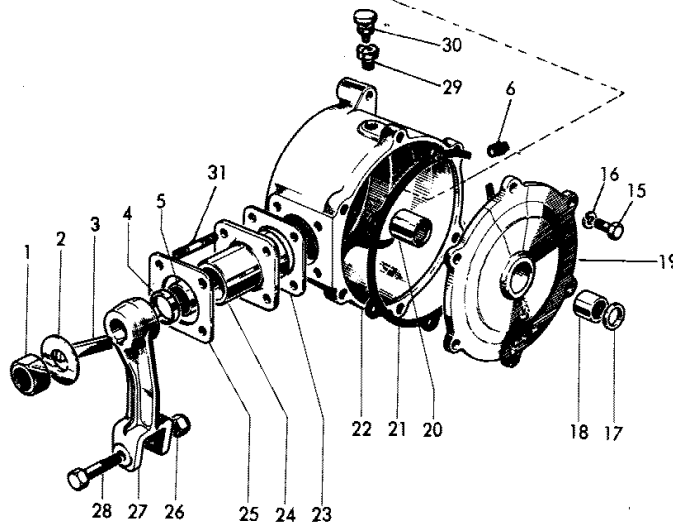
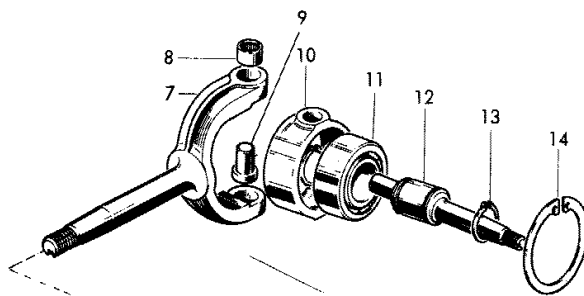


KNIFE DRIVE - 10'

Item	Part Number	Qty	Description	Comments
1	1724135M91	1	Wobble Drive	10' (A)
2	1721356M1	1	Key Door	
3	1725089M1	1	Pulley	
4	339377X1	1	Lock Washer	
5	353427X1	1	Nut Unf	
6	357133X1	4	Stud	
7	609930M1	4	Washer	
8	353426X1	4	Nut Unf	
9	391231X1	1	Bolt Metric	
10	339376X1	1	Lock Washer	
11	339402X1	1	Nut Metric	
12	339679X1	1	Screw Metric	
13	391396X1	1	Washer Metric	
14	339376X1	1	Lock Washer	
15	339402X1	1	Nut Metric	
16	1721348M1	1	Bracket	
17	390814X1	3	Screw	
18	339376X1	6	Lock Washer	
19	339402X1	6	Nut Metric	
20	339809X1	3	Bolt	
21	339025X1	3	Washer Metric	
22	916649M1	1	Support	
23	621579M91	1	Pulley	
	213736M1	1	Pulley	
24	353774X1	1	Washer	
25	353433X1	1	Lock Washer	
26	353429X1	1	Nut Unf	
27	22258X	1	Bearing Assy	
28	208230M1	1	Ring	
29	916003M1	1	Pin	
30	391102X1	1	Washer Metric	
31	339072X1	1	Washer	
32	339380X1	1	Washer	
33	339070X1	1	Nut	
34	410959M1	1	Belt	
35	621579M91	1	Pulley	
36	261428M1	X	Washer	
37	353679X1	2	Screw Unc	
38	196107M1	1	Washer	

(A)  
DETAILS SEE PAGE 11

BOITIER DE COMMANDE }  
 GETRIEBE } 1 724 135 M91  
 WOBBLER DRIVE }



78-17

MASSEY FERGUSON

MF 307 COMBINE - 1646196

1646196

WOBBLE DRIVE - 1724135M91

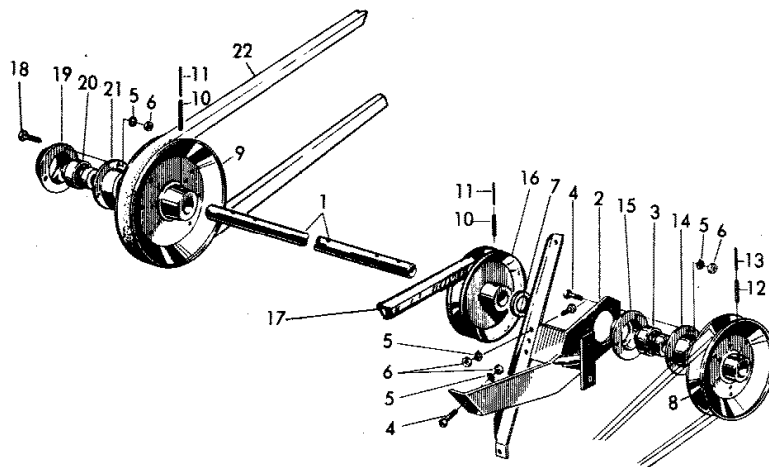
11

Item	Part Number	Qty	Description	Comments
	1724135M91	1	Wobble Drive	1724135M91
1	355646X1	1	Nut Unf	
2	239497M1	1	Washer	
3	49378X	1	Key	
4	834782M1	2	Seal	
5	833346M1	2	Bearing	
6	375181X1	2	Plug	
7	261606M1	1	Yoke	
8	832879M1	2	Bearing	
9	249149M3	2	Pin	
10	249148M4	1	Housing	
11	833309M1	1	Bearing	
12	239598M2	1	Shaft	
13	364553X1	2	Ring	
14	367504X1	1	Ring	
15	353678X1	6	Screw Unc	
	353679X1	6	Screw Unc	
16	3553446X1	8	Washer	
17	831135M1	2	Seal	
18	843282M1	1	Bearing	
19	236568M1	1	Cover	
20	843283M1	1	Bearing	
21	236567M1	1	Gasket	
22	236566M1	1	Housing	
23	236579M1	1	Gasket	
24	261607M1	1	Flange	
25	785613M1	X	Spacer	
	236580M1	X	Spacer	(A)
26	357561X1	1	Nut Unf	
27	239160M2	1	Arm	
28	238499M1	1	Bolt	
29	362007X1	1	Reducer	
30	182099M91	1	Breather	
31	357133X1	4	Stud	
				(A) ALTERNATIVE

12

REF.	N° PIECE	DESIGNATION	BENENNUNG	DESCRIPTION	Qté
------	----------	-------------	-----------	-------------	-----

ARBRE DE COMMANDE	} 8'
SCHNEIDWERKVORGELEGE	
DRIVE SHAFT	



78-18

**Buy Now**



Our support email:

[ebooklibonline@outlook.com](mailto:ebooklibonline@outlook.com)