

Page Title	Page Number
ENGINE - 4.248 ENGINE	1
CYLINDER BLOCK - T4.236/4.248 ENGINE	2
CRANKSHAFT, PISTONS AND CONNECTING RODS - T4.236/4.248 ENGINE	5
CYLINDER HEAD - T4.236/4.248 ENGINE	8
ROCKER SHAFT - T4.236/4.248 ENGINE	13
TIMING GEAR AND CAMSHAFT - T4.236/4.248 ENGINE	15
LUBRICATING OIL PUMP AND DELIVERY HOUSING - T4.236/4.248 ENGINE	17
FUEL INJECTION EQUIPMENT (DIESEL) - T4.236/4.248 ENGINE	19
FLYWHEEL HOUSING - T4.236/4.248 ENGINE	22
FLYWHEEL AND STARTER RING - T4.236/4.248 ENGINE	23
STARTER MOTOR - 4.248 ENGINE	24
LUBRICATING OIL SUMP - T4.236/4.248 ENGINE	25
LUBRICATING OIL FILLER AND BREATHER - T4.236/4.248 ENGINE	28
LUBRICATING OIL FILTER AND INTEGRAL COOLER - 4.248 ENGINE	29
LUBRICATING OIL FILTER AND INTEGRAL COOLER - T4.236 ENGINE	30
FRONT END DRIVE INPUT AND OUTPUT - T4.236/4.248 ENGINE	32
WATER PUMP, THERMOSTAT AND HEAT EXCHANGER - 4.248 ENGINE	34
WATER PUMP, THERMOSTAT AND HEAT EXCHANGER - T4.236 ENGINE	36
WATER OUTLET AND INLET - T4.236/4.248 ENGINE	38
FAN AND EXTENSION - T4.236/4.248 ENGINE	39
ALTERNATOR AND GENERATOR - T4.236/4.248 ENGINE	40
GEAR DRIVE AUXILIARY DRIVE OPTIONS - T4.236/4.248 ENGINE	42
INDUCTION MANIFOLD - 4.248 ENGINE	43
EXHAUST MANIFOLD - 4.248 ENGINE	44
TURBOCHARGER - T4.236 ENGINE	45
TURBOCHARGER - T4.236 ENGINE	47
TURBOCHARGER - T4.236 ENGINE	48
LOW PRESSURE FUEL SYSTEM - T4.236/4.248 ENGINE	51
COLD START SYSTEM - T4.236/4.248 ENGINE	54
ENGINE LIFTING - T4.236/4.248 ENGINE	55
JOINTS AND GASKETS-TOP SERVICE KIT - T4.236/4.248 ENGINE	56
JOINTS AND GASKETS-BOTTOM SERVICE KIT - T4.236/4.248 ENGINE	57
STRAW DIVIDER	58
CUTTING TABLE	60
CUTTING TABLE	64
CUTTING KNIFE ASSEMBLY	68
CUTTING KNIFE ASSEMBLY	74
CUTTING KNIFE ASSEMBLY	78
REEL CARRIER	82
REEL CARRIER	84
PICK-UP REEL	86
PICK-UP REEL	90
REEL VARIATOR	94
REEL VARIATOR	98
FEEDER AUGER	100
FEEDER AUGER	104
FEEDER ELEVATOR	108
FEEDER ELEVATOR	114
CHAIN OF CROP ELEVATOR	118
REVERSE	120
CASING	122
DRUM AND CONCAVE	128
CYLINDER VARIATOR	132
STRIPPER BEATER	136
FAN	138
FAN VARIATOR	144
GRAIN PAN AND SIEVES	146
SHAKER SHOE	150
STRAW WALKERS	152
CHAFF HOOD	156
SUPPORT FOR STRAWCHOPPER	160
SUPPORT FOR STRAWCHOPPER	162
STRAW CUTTER	166
STRAW CUTTER	170
PROTECTIONS	172
RETURN ELEVATOR	178

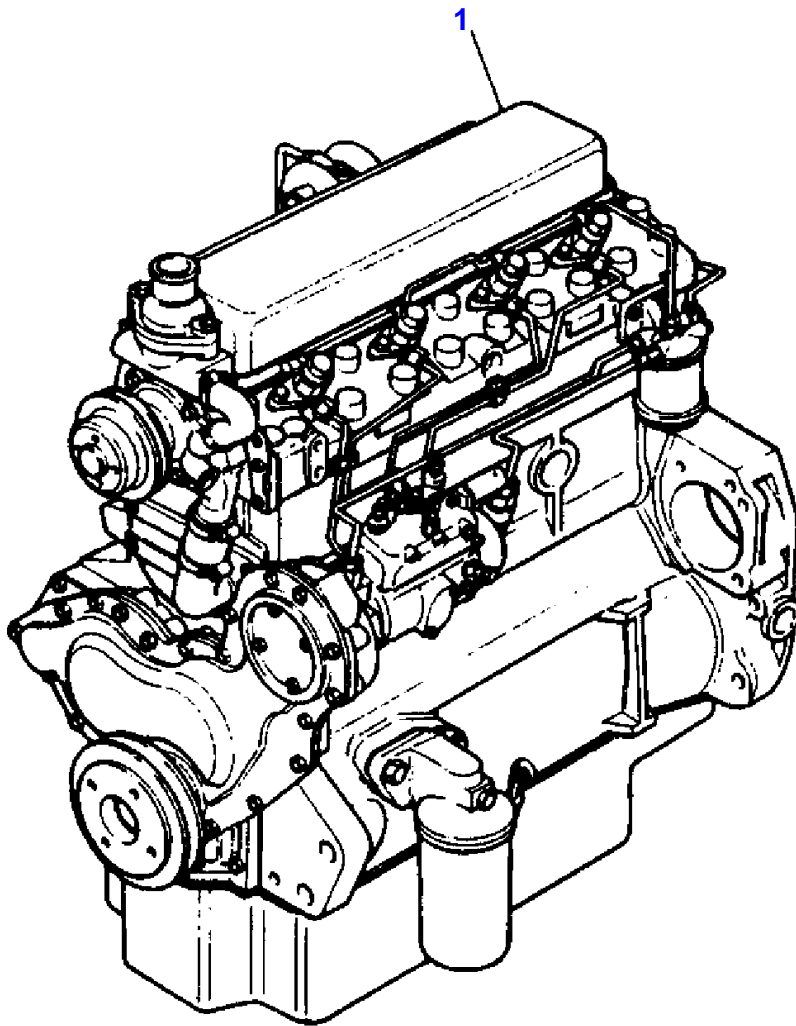
TABLE OF CONTENT

00

RETURN AUGER	182
GRAIN ELEVATOR	184
GRAIN TANK	188
GRAIN TANK	192
GRAIN TANK	196
UNLOADING AUGERS	198
LONG UNLOADINGTUBE	202
OPERATORS PLATFORM	206
STEERING - GEAR LEVER	214
INSTRUMENT PANEL	216
CAB	218
FAN AND AIR HEATER	224
INSULATOR	226
HYDRAULICS	230
HYDRAULICS	236
BRAKE LINES	242
REAR WHEELS	244
REAR AXLE	248
REAR AXLE	252
WIRING DIAGRAM, RAIL	254
WIRING DIAGRAM, RAIL, GERMANY	258
WIRING DIAGRAM, CAB	264
WIRING DIAGRAM, CAB, GERMANY	270
ENGINE EQUIPMENT	276
ENGINE EQUIPMENT, TURBO	280
COOLER AND ENGINE BED	282
VARIABLE SPEED DRIVE	286
FRONT AXLE	288
GEAR BOX	296
INTERMEDIATE SHAFT	300
BELTS AND CHAINS	306
BELTS AND CHAINS	308
BELTS AND CHAINS	310
TRANSFERS	312
DECALERS	314

**Engine
Moteur
Motor
Motore
Motor**

L-0011-14M-A



L-0011-14M-A

0011L14M

1810781 M2 (01)

05/87

1

MASSEY FERGUSON

MF 20 COMBINE - 1810781

1810781

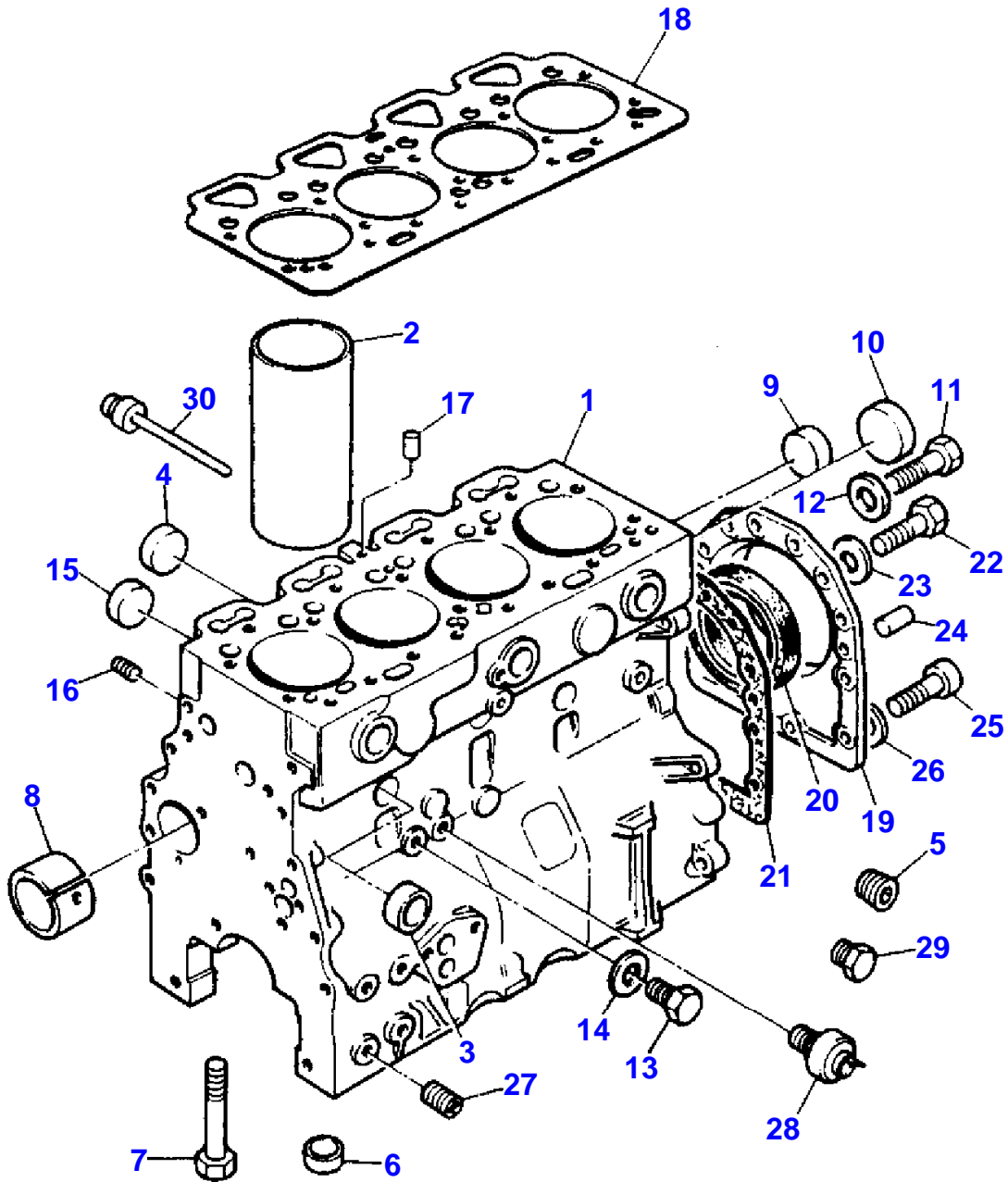
ENGINE - 4.248 ENGINE

1

Item	Part Number	Qty	Description	Comments
				4.248 ENGINE
1	LF80172	1	Parts Book	* (B)
	LJ33613	1	Parts Book	* (C)
				(B) *
				FOR MF 20 ONLY
				(C) *
				FOR MF 20XP ONLY

Cylinder Block
 Bloc-cylindres
 Zylinderblock
 Blocco Cilindri
 Bloque-cilindros

L-0560-06M-B



L-0560-06M-B

0560L06M

1810781 M2 (01) 05/87

2

CYLINDER BLOCK - T4.236/4.248 ENGINE

Item	Part Number	Qty	Description	Comments
1	ZZ50075	1	Kit,Cyl.Block	T4.236/4.248 ENGINE * (B, C, H) Repairs and replaces ZZ50065 Repairs and replaces U5BA0027 Repairs and replaces 61662
2	31358343	4	Liner	* (INCL. IN ITEM 1) (A, D, F, H)
2	3135X031	4	Liner	* (INCL. IN ITEM 1) (A, E, F, H)
2	3135X032	X	Liner	* (E, F, G, H)
	31358393	4	Liner	* (INCL. IN ITEM 1) (A, F, J, K)
2	31358394	X	Liner	* (F, G, J, K)
	3135X031	4	Liner	* (INCL. IN ITEM 1) (A, F, J, L)
2	3135X032	X	Liner	* (F, G, J, L)
3	0650563	6	Plug	* (INCL. IN ITEM 1)
4	0650618	4	Plug	* (INCL. IN ITEM 1)
5	0650593	1	Plug	* (INCL. IN ITEM 1)
6	33142111	10	Thimble	* (INCL. IN ITEM 1)
7	32166329	10	Bolt	* (INCL. IN ITEM 1)
8	31134132	1	Bush	* (INCL. IN ITEM 1)
9	0650563	2	Plug	* (INCL. IN ITEM 1)
10	32416105	1	Plug	
11	0650582	1	Plug	
12	0920130	1	Washer	
13	0746451	1	Screw	
14	0920155	1	Washer	
15	0650577	4	Plug	
16	32114501	1	Plug	
17	32417134	1	Plug	
18	36812352	1	Head Gasket	* (F, H) Repairs and replaces 36812349
18	36812352	1	Head Gasket	* (F, J, M) Repairs and replaces 3681E007 Repairs and replaces 36812349
19	4142V061	1	Kit, Housing	Repairs and replaces 4142V031
20	2418F475	1	Seal	* (INCL. IN ITEM 19) Repairs and replaces 2415391
21	36817157	1	Joint	
22	0746211	10	Bolt	
23	0920003	10	Washer	
24	0350009	2	Dowel	
25	2172530	2	Capscrew	
26	33112111	2	Washer	
27	32114482	8	Plug	
				Repairs and replaces 32114481
28	2848062	1	Switch	
29	32161114	1	Plug	
				Repairs and replaces 32161357
30	2485A204	1	Plug	* (INCL. IN ITEM 1) (A) * PRESS FIT (B) * WAS U5BA0027 USE ZZ50065/32166337(2)/32166338(12)/ 32166339(8). (C) * WAS ZZ50065 USE ZZ50075 WITH 36812352/33153157/211 6053/2184634(3) (D) * USED ONLY WITH 61662/U5BA0023/U5BA0027/ZZ50065 (E) * USED ONLY WITH ZZ50075 (F) * SEE PERKINS SERVICE BULLETIN NO. 29 (G) * SLIP FIT (H) * 4.248 ENGINES ONLY (J) * T4.236 ENGINES ONLY

MASSEY FERGUSON

MF 20 COMBINE - 1810781

1810781

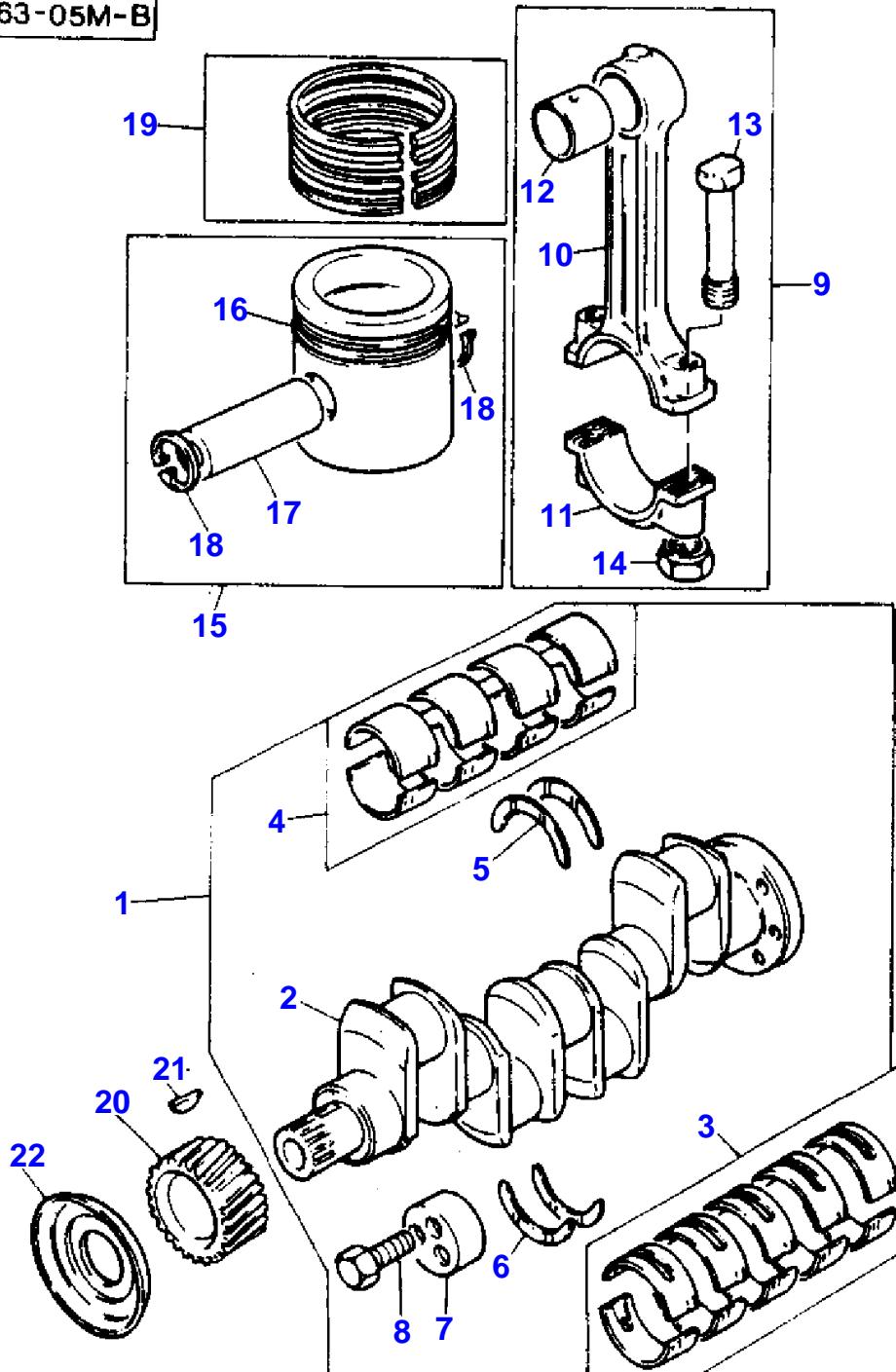
CYLINDER BLOCK - T4.236/4.248 ENGINE

2

Item	Part Number	Qty	Description	Comments
				(K) *
				USED ONLY WITH ZZ50054/U5BA0032/M7BA0148
				(L) *
				USED ONLY WITH ZZ50077
				(M) *
				UP TO ENGINE NO U027773M. SEE ALSO SERVICE BULLETIN NO.21

Crankshaft, pistons And Connecting Rods
Vilebrequin Pistons Et Bielles
Kurbelwelle, kolben Und Pleuel
Albero A Manovella-bielle E Pistoni
Ciguenal, pistones A Bielas

L-0563-05M-B



L-0563-05M-B

0563L05M

1810781 M2 (01)

05/87

5

CRANKSHAFT, PISTONS AND CONNECTING RODS - T4.236/4.248 ENGINE

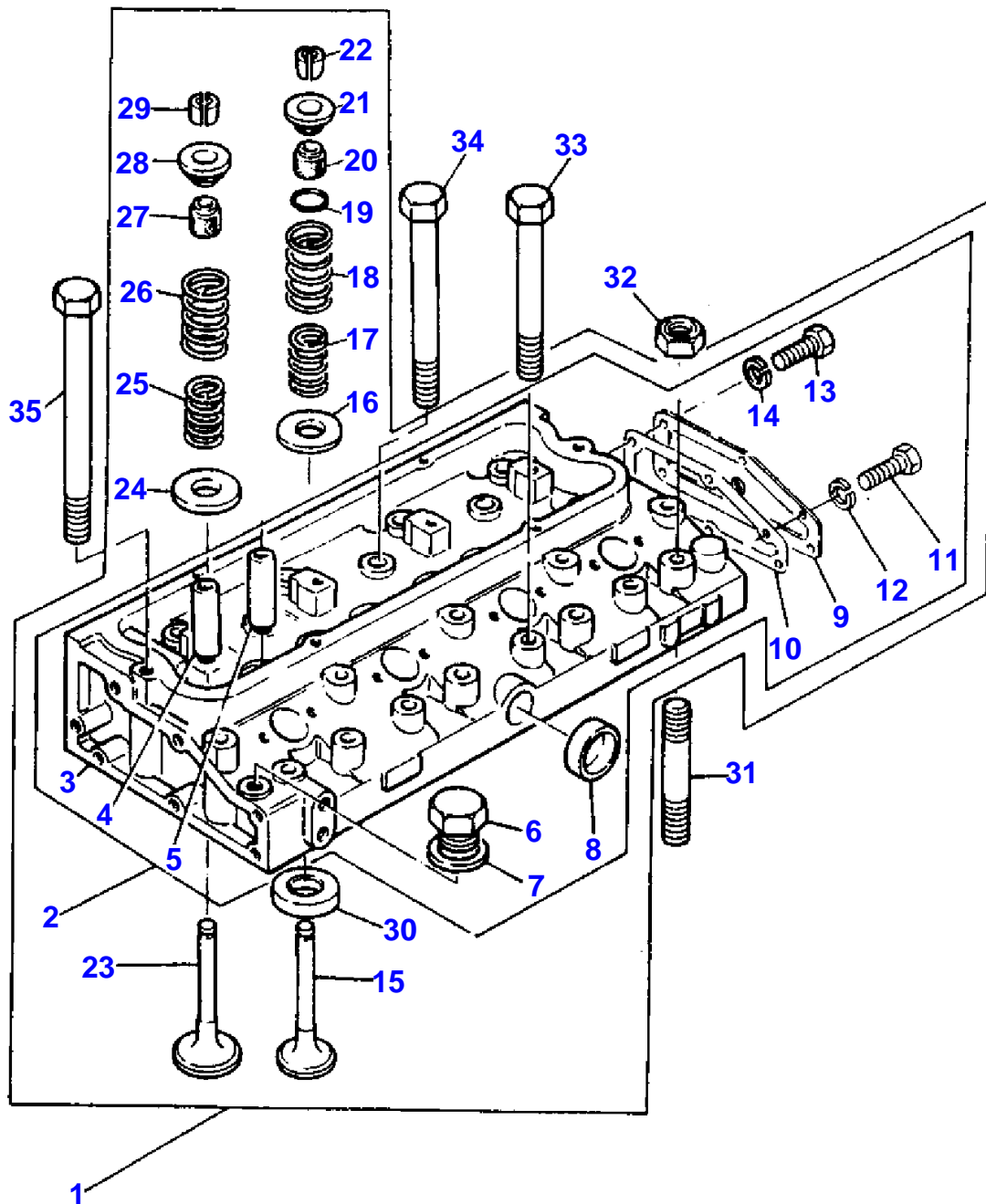
Item	Part Number	Qty	Description	Comments
1	U5BG0024	1	Kit, Crankshaft	T4.236/4.248 ENGINE * (D) Repairs and replaces U5BG0019 Repairs and replaces U5BG0052 Repairs and replaces 94433
1	U5BG0022	1	Kit, Crankshaft	* (E) Repairs and replaces U5BG0009
2		1	Crankshaft	Not serviced, order REF. 1
3	81558	1	Kit, Bearing	* (INCL. IN ITEM 1) (A)
3	81558A	X	Kit, Bearing	* (A) Thickness (-)0.25MM Thickness (-)0.010"
3	81558B	X	Kit, Bearing	* (A) Thickness (-)0.50MM Thickness (-)0.020"
3	81558C	X	Kit, Bearing	* (A) Thickness (-)0.75MM Thickness (-)0.030"
4	85042	1	Kit, Bearing	* (INCL. IN ITEM 1) (A, D)
4	85042A	X	Kit, Bearing	* (A, D) Thickness (-)0.25MM Thickness (-)0.010"
4	85042B	X	Kit, Bearing	* (A, D) Thickness (-)0.50MM Thickness (-)0.020"
4	85042C	X	Kit, Bearing	* (A, D) Thickness (-)0.75MM Thickness (-)0.030"
4	U5ME0002	1	Kit, Bearing	* (INCL. IN ITEM 1) (A, E)
4	U5ME0002A	X	Kit, Bearing	* (A, E) Thickness (-)0.25MM Thickness (-)0.010"
4	U5ME0002B	X	Kit, Bearing	* (A, E) Thickness (-)0.50MM Thickness (-)0.020"
4	U5ME0002C	X	Kit, Bearing	* (A, E) Thickness (-)0.75MM Thickness (-)0.030"
5	31137551	2	Thrust Washer	* (INCL. IN ITEM 1) Repairs and replaces 31137311
5	31137312	X	Thrust Washer	Thickness (+)0.19MM Thickness (+)0.0075"
6	31137561	2	Thrust Washer	* (INCL. IN ITEM 1) Repairs and replaces 31137321
6	31137322	X	Thrust Washer	Thickness (+)0.19MM Thickness (+)0.0075"
7		1	Thrust Block	* (INCL. IN ITEM 1) See Page - Reference Number 32-NO. 4
8		3	Screw	* (INCL. IN ITEM 1) See Page - Reference Number 32-NO. 5
9	ZZ90009	4	Kit, Conrod	* (D) Repairs and replaces M7BJ0015
9	ZZ90013	4	Kit, Conrod	* (E) Repairs and replaces 41152923 Repairs and replaces M7BJ0053
10		1	Conrod	Not serviced, order REF. 9
11		1	Cap	Not serviced, order REF. 9
12	31134123	1	Bush	* (INCL. IN ITEM 9) (D)
12	31134131	1	Bush	* (INCL. IN ITEM 9) (E)
13	32762116	2	Bolt	* (INCL. IN ITEM 9)

CRANKSHAFT, PISTONS AND CONNECTING RODS - T4.236/4.248 ENGINE

Item	Part Number	Qty	Description	Comments
14	33221328	2	Nut	*(INCL. IN ITEM 9)
15	U5LU0005	4	Kit, Piston	*(B, D)
15	U5LP0009	4	Kit, Piston	*(C, D)
15	U5LU0004	4	Kit, Piston	*(B, E, F)
15	U5LP0006	X	Kit, Piston	*(C, E, F)
15	U5LU0020	4	Kit, Piston	*(B, E, G)
15	U5LP0022	X	Kit, Piston	*(C, E, G)
16		1	Piston	
				Not serviced, order REF. 15
17		1	Pin	
				Not serviced, order REF. 15
18	0170002	2	Circlip	*(INCL. IN ITEM 15)
				(D)
18	2721A029	2	Circlip	*(INCL. IN ITEM 15)
				(E)
19	41158022	4	Kit, Piston Ring	*(D)
19	41158005	4	Kit, Piston Ring	*(E, F)
19	41158145	4	Kit, Piston Ring	*(E, G)
20	31171681	1	Gear,Crankshaft	
				Number of teeth/spines 28
21	0500012	1	Woodruff Key	
22	33415311	1	Flange	*(D)
				(A) *
				PRE-FINISHED
				(B) *
				UNTOPPED
				(C) *
				PRE-TOPPED
				(D) *
				4.248 ENGINES ONLY
				(E) *
				T4.236 ENGINES ONLY
				(F) *
				UP TO ENGINE NO U027773M. SEE ALSO SERVICE BULLETIN NO.21
				(G) *
				FROM ENGINE NO U027774M. SEE ALSO SERVICE BULLETIN NO.21

**Cylinder Head
Culasse
Zylinderkope
Testa
Culata**

L-0566-05M-B



L-0566-05M-B

0566L05M

1810781 M2 (01) 05/87

8

CYLINDER HEAD - T4.236/4.248 ENGINE

Item	Part Number	Qty	Description	Comments
				T4.236/4.248 ENGINE
1	ZZ80054	1	Kit, Cyl. Head	* (C, M)
1	ZZ80056	1	Kit, Cyl. Head	Repairs and replaces U5BD0004 * (N)
2	ZZ80004	1	Kit, Cyl. Head	Repairs and replaces U5BD0026 * (INCL. IN ITEM 1)
3		1	Head	(M) * (M)
4	3343F002	4	Guide	Not serviced, order REF. 2 * (INCL. IN ITEM 2)
4	3343F002	4	Guide	(G, M) Repairs and replaces 3343F001 * (INCL. IN ITEM 1)
5	3343J002	4	Guide	(G, N) Repairs and replaces 3343F001 * (INCL. IN ITEM 2)
5	3343J002	4	Guide	(G, M) Repairs and replaces 3343J001 * (INCL. IN ITEM 1)
6	0650203	1	Plug	(N) Repairs and replaces 3343J001 * (INCL. IN ITEM 2)
7	2411157	1	Washer	* (INCL. IN ITEM 2)
8	0650563	1	Plug	* (INCL. IN ITEM 2)
9	3621F005	1	Plate	* (K)
	3623K007	1	Plate	* (INCL. IN ITEM 2)
10	36851409	1	Joint	(L) * (K)
	3685R004	1	Joint	* (INCL. IN ITEM 2)
11	0746254	4	Setscrew	(L) * (INCL. IN ITEM 2)
11	0746254	6	Setscrew	(B, L) * (D, K)
12	0920053	4	Washer	* (INCL. IN ITEM 2)
12	0920053	6	Washer	(L) * (K)
13	0746452	2	Setscrew	* (INCL. IN ITEM 2)
13	0746255	1	Setscrew	(L) * (E)
14	0920054	2	Washer	* (INCL. IN ITEM 2)
15	31431881	4	Valve Exhaust	(L) * (INCL. IN ITEM 1)
15	31431882	X	Valve Exhaust	(M) * (F, M)
15	31431883	X	Valve Exhaust	Thickness (+)0.08MM Thickness (+)0.003" * (F, M)
15	31431884	X	Valve Exhaust	Thickness (+)0.38MM Thickness (+)0.015" * (F, M)
15	3142A052	4	Valve Exhaust	Thickness (+)0.75MM Thickness (+)0.030" * (INCL. IN ITEM 1)
15	3142A053	X	Valve Exhaust	(N) Repairs and replaces 31431851 * (F, N)
15	3142A054	X	Valve Exhaust	Thickness (+)0.08MM Thickness (+)0.003" * (F, N)
				Thickness (+)0.38MM

CYLINDER HEAD - T4.236/4.248 ENGINE

Item	Part Number	Qty	Description	Comments
15	3142A055	X	Valve Exhaust	Thickness (+)0.015" * (F, N)
16	33415118	4	Washer	Thickness (+)0.75MM Thickness (+)0.030" * (INCL. IN ITEM 1) (M) Repairs and replaces 33123117
16	33123117	4	Washer	* (INCL. IN ITEM 1) (N, P)
16	33415118	4	Washer	* (INCL. IN ITEM 1) (N, Q)
17	31744131	4	Spring	* (INCL. IN ITEM 1) Repairs and replaces 0780273
18	31745121	4	Spring	* (INCL. IN ITEM 1) Repairs and replaces 0780272
19	2415B201	4	O Ring	* (INCL. IN ITEM 1)
20	33817117	4	Seal	* (INCL. IN ITEM 1) Repairs and replaces 33817125
21	33423147	4	Cap	* (INCL. IN ITEM 1)
22	33173108	8	Cotter	* (INCL. IN ITEM 1) (A)
23	31431641	4	Valve Inlet	* (INCL. IN ITEM 1) (M)
23	31431401	X	Valve Inlet	* (F, M) Thickness (+)0.08MM Thickness (+)0.003"
23	31431402	X	Valve Inlet	* (F, M) Thickness (+)0.38MM Thickness (+)0.015"
23	31431403	X	Valve Inlet	* (F, M) Thickness (+)0.75MM Thickness (+)0.030"
23	3142H002	4	Valve Inlet	* (INCL. IN ITEM 1) (N)
23	3142H003	X	Valve Inlet	* (F, N) Thickness (+)0.08MM Thickness (+)0.003"
23	3142H004	X	Valve Inlet	* (F, N) Thickness (+)0.38MM Thickness (+)0.015"
23	3142H005	X	Valve Inlet	* (F, N) Thickness (+)0.75MM Thickness (+)0.030"
24	33415118	4	Washer	* (INCL. IN ITEM 1) (M) Repairs and replaces 33123117
24	33123117	4	Washer	* (INCL. IN ITEM 1) (N, P)
24	33415118	4	Washer	* (INCL. IN ITEM 1) (N, Q)
25	31744131	4	Spring	* (INCL. IN ITEM 1) Repairs and replaces 0780273
26	31745121	4	Spring	* (INCL. IN ITEM 1) Repairs and replaces 0780272
27	33817117	4	Seal	* (INCL. IN ITEM 1) Repairs and replaces 33817125
28	33423147	4	Cap	* (INCL. IN ITEM 1)
29	33173108	8	Cotter	* (INCL. IN ITEM 1) (A)
30	33152139	X	Insert	* (M)
30	33152153	4	Insert	* (INCL. IN ITEM 1) (N)
31	32526312	2	Stud	* (M) Up to Serial or Engine Number U874811J
32	33221316	2	Nut	* (M) Up to Serial or Engine Number U874811J
33	32181424	8	Screw	* (B, H, M)
33	32166219	8	Bolt	* (B, H, N)
33	32166337	2	Screw	* (J)

CYLINDER HEAD - T4.236/4.248 ENGINE

Item	Part Number	Qty	Description	Comments
34	32181425	12	Screw	* (H, M)
34	32166221	12	Bolt	* (H, N)
34	32166338	12	Bolt	* (J)
35	32181426	2	Screw	* (H, M)
35	32166222	2	Screw	* (H, N)
35	32166339	9	Screw	* (J)
				(A) *
				SERVICED IN PAIRS
				(B) *
				6 OFF UP TO ENGINE NO.U874811J
				(C) *
				WAS A5BD2631 USE U5BD0004 WITH 33813131 AND 338131 29 OR 3281M001 (SEE 0587L01M)
				(D) *
				REMOVE ONE SCREW AND REPLACE WITH 0746255 TO SECUR E LIFT PUMP TO FUEL FILTER PIPE CLIP
				(E) *
				REPLACES ONE OF CYLINDER HEAD REAR END COVER SECUR ING SCREWS SUPPLIED WITH CYLINDER HEAD ASSEMBLY
				(F) *
				OVERSIZE VALVES CAN ONLY BE USED WITH CYLINDER HEA DS WHEN VALVE GUIDES ARE NOT FITTED.
				(G) *
				USED ONLY WITH HEADS MACHINED TO ACCOMMODATE VALVE GUIDES
				(H) *
				UP TO ENGINE NO U027630M. SEE ALSO SERVICE BULLETI N NO.21
				(J) *
				FROM ENGINE NO U027631M. SEE ALSO SERVICE BULLETIN NO.21
				(K) *
				USED ON CYLINDER HEADS WITH FIXING HOLES 6 OFF 5/1 6"
				(L) *
				USED ON CYLINDER HEADS WITH FIXING HOLES 2 OFF 3/8 " AND 4 OFF 5/16".
				(M) *
				4.248 ENGINES ONLY
				(N) *
				T4.236 ENGINES ONLY
				(P) *
				USED ONLY WITH U5BD0026 (CYLINDER HEAD)
				(Q) *
				USED ONLY WITH ZZ 80056 (CYLINDER HEAD)

Buy Now



Our support email:

ebooklibonline@outlook.com