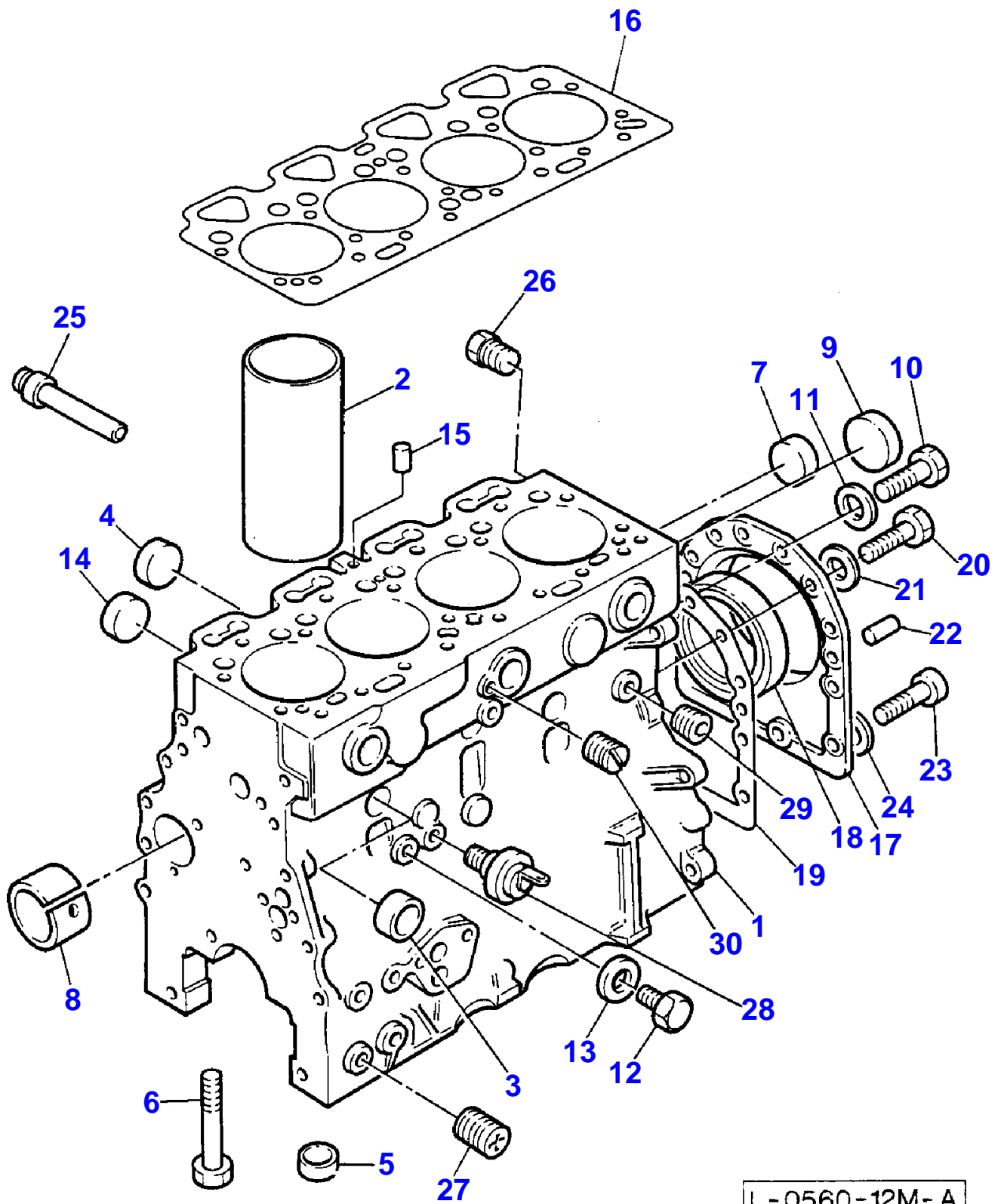


Page Title	Page Number
CYLINDER BLOCK - A4.236	2
CRANKSHAFT - A4.236	4
CYLINDER HEAD - A4.236	6
CYLINDER HEAD COVER - A4.236	10
TIMING GEAR - A4.236	12
LUBRICATING OIL PUMP - A4.236	14
FUEL INJECTION EQUIPMENT - A4.236	16
FLYWHEEL HOUSING - A4.236	18
FLYWHEEL AND STARTER RING - A4.236	20
STARTER - A4.236	22
LUBRICATING OIL SUMP - A4.236	24
LUBRICATING OIL FILLER AND BREATHER - A4.236	26
LUBRICATING OIL FILTER - A4.236	28
FRONT END DRIVE INPUT AND OUTPUT - A4.236	30
WATER PUMP - A4.236	32
WATER OUTLET AND INLET - A4.236	34
FAN AND EXTENSION - A4.236	36
ALTERNATOR - A4.236	38
GEAR DRIVE AUXILIARY DRIVE OPTIONS	40
INDUCTION MANIFOLD - A4.236	42
EXHAUST MANIFOLD - A4.236	44
FUEL FILTERS AND PIPES - A4.236	46
COLD START SYSTEM - A4.236	50
ENGINE LIFTING - A4.236	52
JOINTS AND GASKETS	54
STRAW DIVIDER	58
CUTTING TABLE	60
CUTTING KNIFE ASSEMBLY	64
CROP CONVEYOR	66
PICK UP REEL	68
REEL CARRIER	70
CASING	74
CYLINDER AND CONCAVE	76
CYLINDER AND CONCAVE FOR MAIZE	78
ADJUSTMENT OF CONCAVE	80
CYLINDER VARIATOR	82
STRIPPER BEATER	84
FAN	86
SHAKER SHOE DRIVE	90
SHAKERSHOE, GRAIN PAN, SIEVES	92
BOTTOM TROUGH	94
ELEVATOR CHAIN	96
STRAW WALKERS	100
WEIGHING UNIT	102
GRAIN TANK	106
UNLOADING AUGERS	110
OPERATORS PLATFORM	114
INSTRUMENT PANEL	118
RAILS, LADDER	122
PROTECTIONS, LEFT	124
PROTECTIONS, RIGHT	126
ENGINE POWER TRANSMISS.	128
RADIATOR, AIRFILTER, SILENCER	130
THROTTLE AND STOP CONTROLS	132
FRONT AXLE	134
GEAR BOX	138
REAR WHEELS	140
TRACTION HYDRAULICS	144
HYDRAULICS	146
WIRING DIAGRAM	152

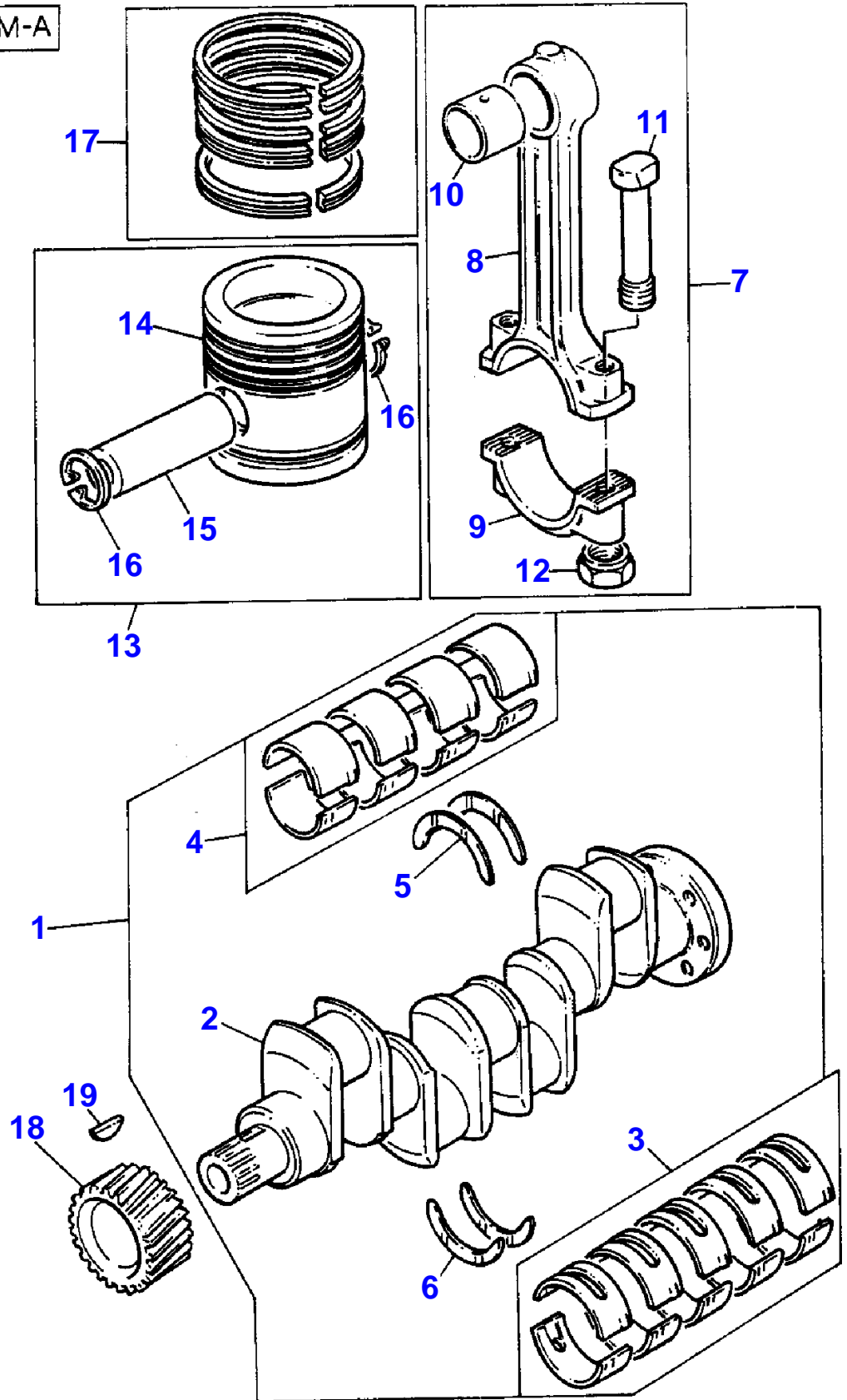


L-0560-12M-A

CYLINDER BLOCK - A4.236

Item	Part Number	Qty	Description	Comments
				A4.236
1	ZZ50065	1	Kit,Cyl.Block	Repairs and replaces ZZ0058
2	31358324	4	Liner	(INCL. IN ITEM 1)
				(A)
3	0650563	6	Plug	(INCL. IN ITEM 1)
4	0650618	4	Plug	(INCL. IN ITEM 1)
5	33142111	10	Thimble	(INCL. IN ITEM 1)
6	32166329	10	Bolt	(INCL. IN ITEM 1)
7	0650563	1	Plug	
8	31134132	1	Bush	(INCL. IN ITEM 1)
9	32416105	1	Plug	
10	0650582	1	Plug	
11	0920130	1	Washer	
12	0746451	1	Screw	
13	0920155	1	Washer	
14	0650577	4	Plug	
15	32417134	1	Plug	
16	36812349	1	Head Gasket	
17	4142V031	1	Housing	Repairs and replaces 4142V031
18	2418F475	1	Seal	(INCL. IN ITEM 19)
19	36817157	1	Joint	
20	0746211	10	Bolt	
21	0920003	10	Washer	
22	0350009	2	Dowel	
23	2172530	2	Capscrew	
24	33112111	2	Washer	
25	2485A204	1	Plug	
26	32161114	1	Plug	Repairs and replaces 32162357
27	32114481	8	Plug	
28	2848062	1	Switch	
29	06505937	1	Plug	
30	32114116	1	Plug	
				(A)
				PRESS FIT

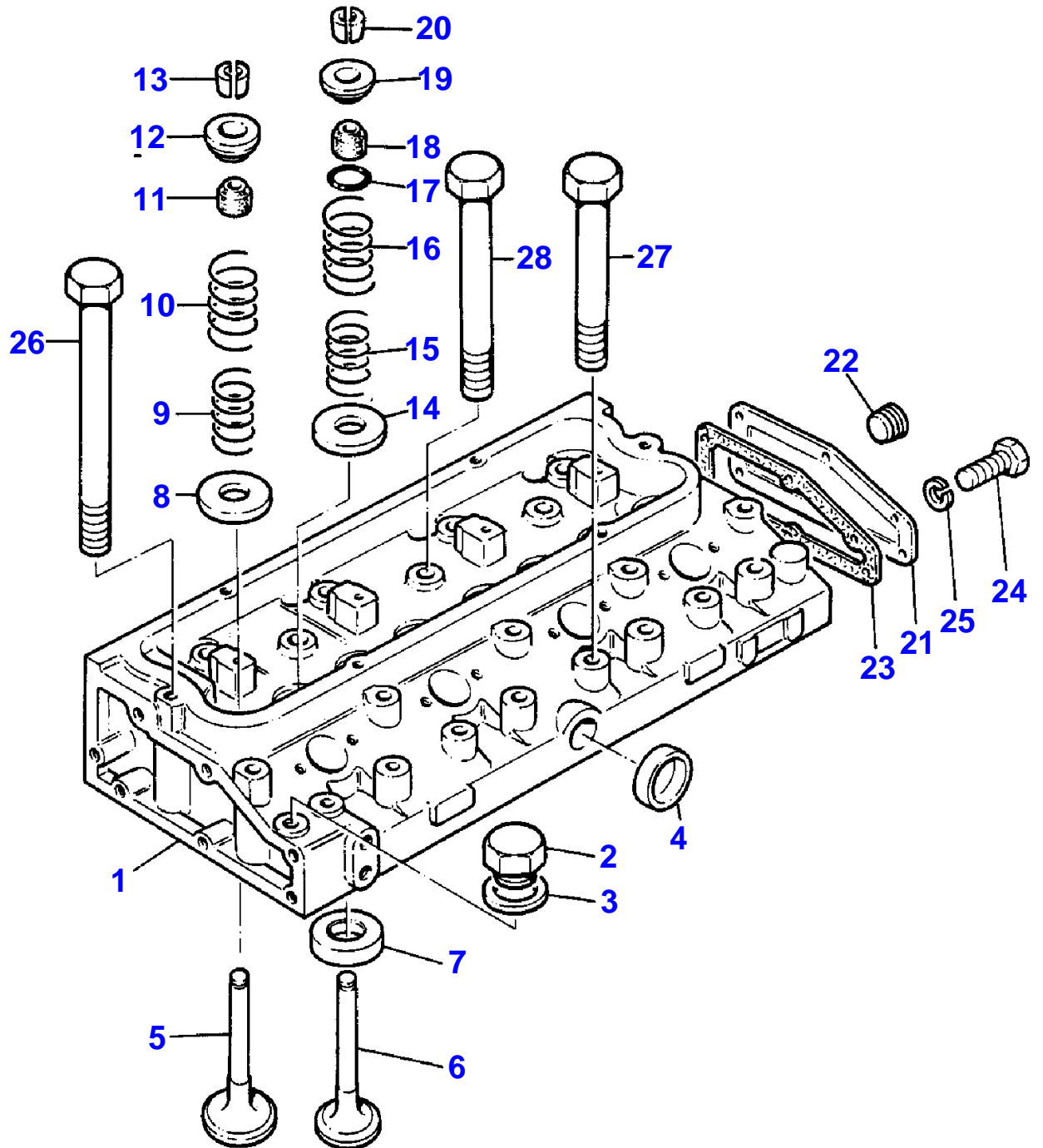
L-0563-10M-A



CRANKSHAFT - A4.236

Item	Part Number	Qty	Description	Comments
				A4.236
1	U5BG0019	1	Kit, Crankshaft	
2		1	Crankshaft	Not serviced, order REF. 1
3	81558		Kit, Bearing	(INCL. IN ITEM 1) (A)
	81558A	X	Kit, Bearing	Thickness (-)0.25 (A)
	81558B	X	Kit, Bearing	Thickness (-)0.50 (A)
	81558C	X	Kit, Bearing	Thickness (-)0.75 (A)
4	85042	1	Kit, Bearing	(INCL. IN ITEM 1) (A)
	85042A	X	Kit, Bearing	Thickness (-)0.25 (A)
	85042B	X	Kit, Bearing	Thickness (-)0.50 (A)
	85042C	X	Kit, Bearing	Thickness (-)0.75 (A)
	85042C	X	Kit, Bearing	Thickness (-)0.75 (A) (INCL. IN ITEM 1)
5	31137311	2	Washer	Thickness (-)0.75 MM (INCL. IN ITEM 1)
	31137312	X	Thrust Washer	Thickness (+)0.19 MM
6	31137321	2	Washer	Thickness (+)0.19 MM (INCL. IN ITEM 1)
	31137322	X	Thrust Washer	Thickness (+)0.19 MM
7	22900095	4	Kit, Conrod	Repairs and replaces M7BJ0015
8		1	Conrod	Not serviced, order REF. 7 (INCL. IN ITEM 7)
9		1	Cap	Not serviced, order REF. 7 (INCL. IN ITEM 7)
10	31134123	1	Bush	(INCL. IN ITEM 7)
11	32762116	2	Bolt	(INCL. IN ITEM 7)
12	33221328	2	Nut	(INCL. IN ITEM 7)
13	68300	4	Kit, Piston	(B)
	68300C	4	Kit, Piston	Thickness (+)0,75 (B)
	68301	4	Kit, Piston	(C)
	68301C	X	Kit, Piston	Thickness (+)0,75 (C)
14		1	Piston	Not serviced, order REF. 13 (INCL. IN ITEM 13)
15		1	Pin	Not serviced, order REF. 13 (INCL. IN ITEM 13)
16	0170002	2	Circlip	(INCL. IN ITEM 13)
17	41158021	4	Kit, Piston Ring	
	41158041C	X	Kit, Piston Ring	Thickness (+)0,75
18	31171681	1	Gear,Crankshaft	Number of teeth/spines 28
19	0500012	1	Woodruff Key	(A) PRE-FINISHED (B) UNTOPPED (C) PRESS FIT

L-0566-10M-A

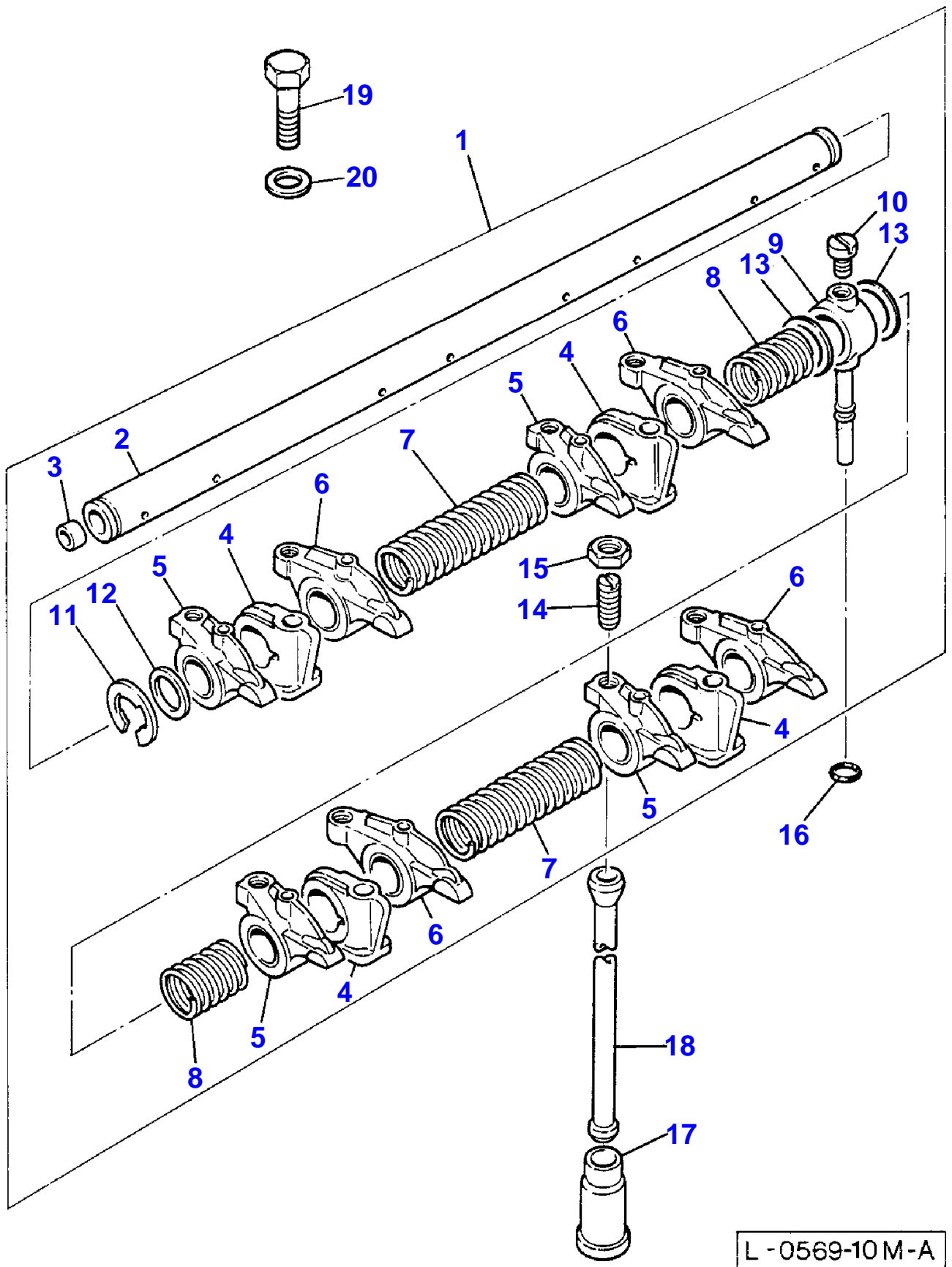


CYLINDER HEAD - A4.236

Item	Part Number	Qty	Description	Comments
				A4.236
1	ZZ80079	1	Kit, Cyl. Head	Repairs and replaces U5BD0010
2	0650203	1	Plug	
3	2411107	1	Washer	(INCL. IN ITEM 1)
4	0650563	1	Plug	(INCL. IN ITEM 1)
5	31431641	4	Valve Inlet	(INCL. IN ITEM 1)
	31431401	X	Valve Inlet	Thickness (+)0.08MM
	31431402	X	Valve Inlet	Thickness (+)0.38MM
	31431403	X	Valve Inlet	Thickness (+)0.75MM
6	31431881	4	Valve Exhaust	Thickness (+)0.75MM
				(INCL. IN ITEM 1)
	31431882	X	Valve Exhaust	Thickness (+)0.08MM
	31431883	X	Valve Exhaust	Thickness (+)0.38MM
	31431884	X	Valve Exhaust	Thickness (+)0.75MM
7	33152139	X	Insert	
8	33123117	8	Washer	(A) (INCL. IN ITEM 1)
	33415118	8	Washer	(B) (INCL. IN ITEM 1)
9	31744131	8	Spring	
10	31745121	8	Spring	
11	33817117	4	Seal	Repairs and replaces 33817125 (INCL. IN ITEM 1)
12	33423147	8	Cap	(INCL. IN ITEM 1)
13	33173108	8	Cotter	(C) (INCL. IN ITEM 1)
14	33123117	4	Washer	(A) (INCL. IN ITEM 1)
	33415118	4	Washer	(B) (INCL. IN ITEM 1)
15	31744131	4	Spring	(INCL. IN ITEM 1)
16	31745121	4	Spring	(INCL. IN ITEM 1)
17	2415B201	4	O Ring	(INCL. IN ITEM 1)
18	33817117	4	Seal	(INCL. IN ITEM 1)
19	33423147	4	Cap	(INCL. IN ITEM 1)
20	33173108	8	Cotter	(C) (INCL. IN ITEM 1)
21	33221316	1	Nut	(D) (INCL. IN ITEM 1)
	3621F005	1	Plate	(E)
22	2431154	1	Plug	(F) (INCL. IN ITEM 1)
23	36851409	1	Joint	(INCL. IN ITEM 1)
24	0746254	6	Setscrew	(G) (INCL. IN ITEM 1)
	0746255	1	Setscrew	(H) (INCL. IN ITEM 1)
25	0920053	5	Washer	(INCL. IN ITEM 1)
26	32181424	8	Screw	(I)
	32166339	8	Screw	(J)
27	32181425	12	Screw	(I)
	32166338	12	Bolt	(J)
28	32181426	2	Screw	(I)
	32166337	2	Screw	(J)
				(A)
				USED ONLY WITH U5BD0006 (CYLINDER HEAD)
				(B)
				USED ONLY WITH ZZ80079 (CYLINDER HEAD)
				(C)
				SERVICED IN PAIRS
				(D)
				REMOVE AND FIT 3621F005
				(E)
				FITTED IN PLACE OF COVER SUPPLIED WITH CYLINDER HEAD ASSEMBLY
				(F)

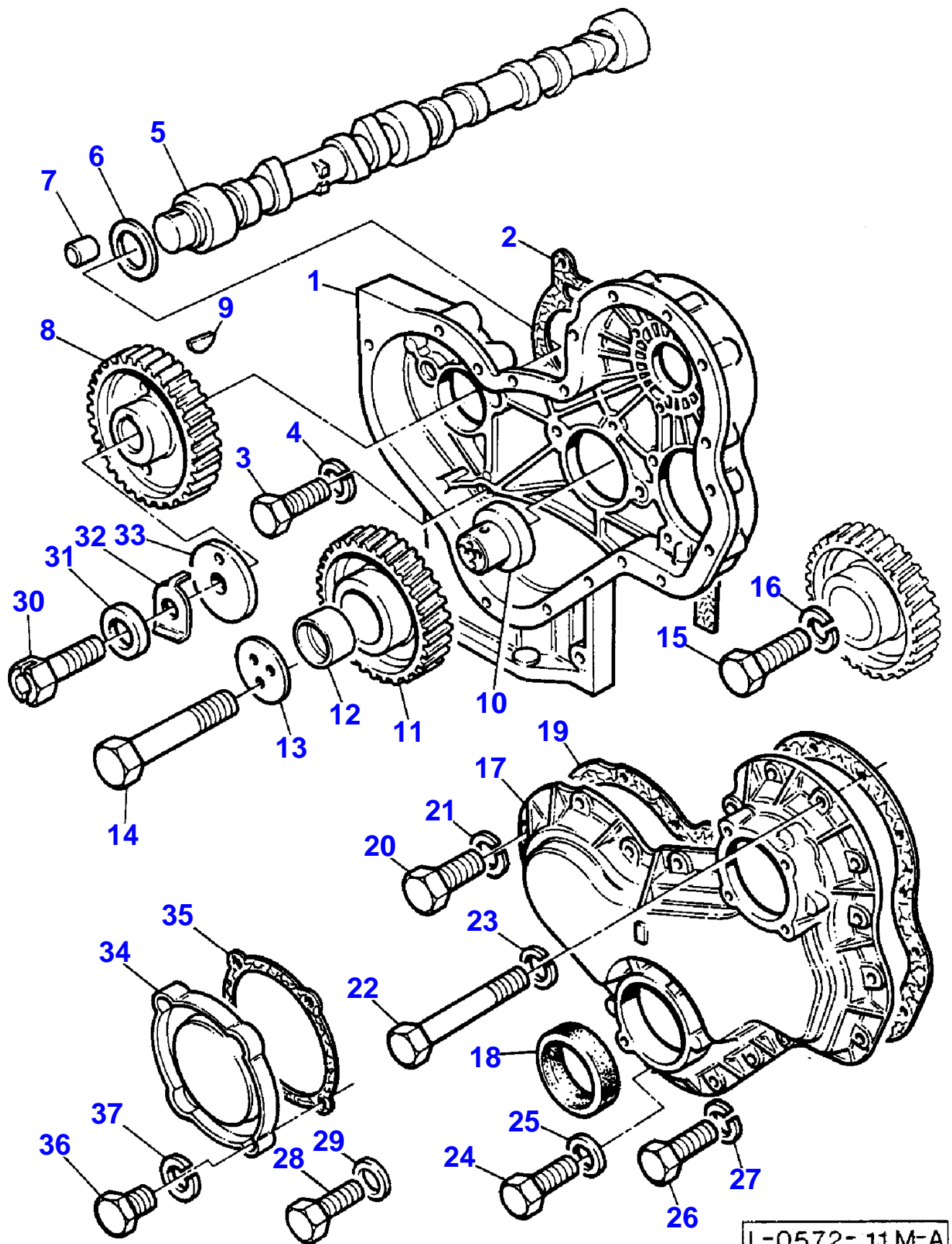
CYLINDER HEAD - A4.236

Item	Part Number	Qty	Description	Comments
				NOT REQUIRED WHEN CYLINDER HEAD REAR END COVER 362 1F005 IS FITTED
				(G)
				REMOVE ONE SCREW AND REPLACE WITH 0746255 TO SECURE LIFT PUMP TO FUEL FILTER PIPE CLIP
				(H)
				REPLACES ONE OF CYLINDER HEAD REAR END COVER SECURING SCREWS SUPPLIED WITH CYLINDER HEAD ASSEMBLY
				(I)
				UP TO ENGINE NO U027630M. SEE ALSO SERVICE BULLETIN NO.21
				(J)
				FROM ENGINE NO U027631M. SEE ALSO SERVICE BULLETIN NO.21



CYLINDER HEAD COVER - A4.236

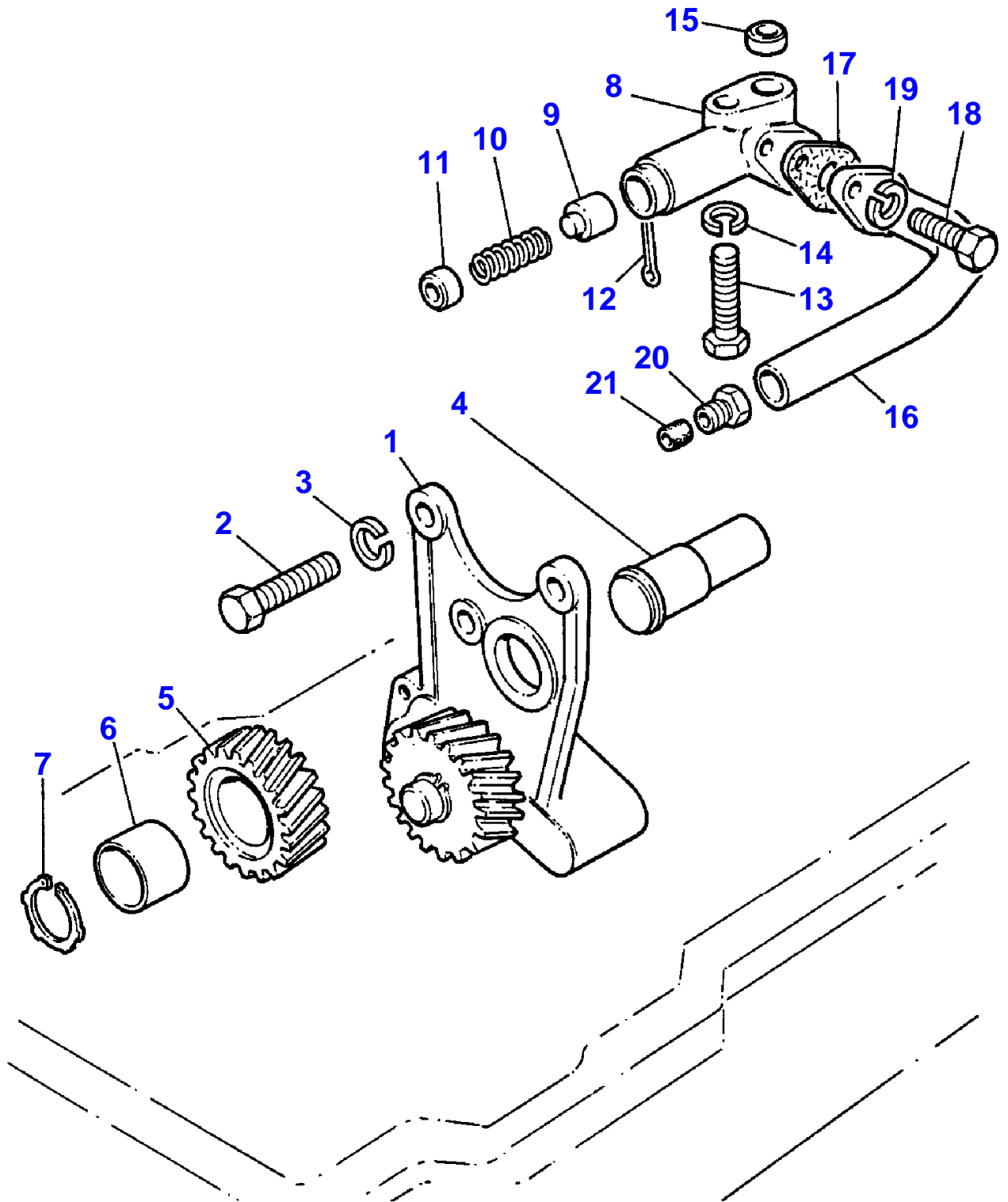
Item	Part Number	Qty	Description	Comments
				A4.236
1	87144	1	Rocker Shaft Ass	
2	83449	1	Rocker Shaft	(INCL. IN ITEM 1)
3	0650507	2	Plug	(INCL. IN ITEM 2)
4	37521332	4	Bracket	(INCL. IN ITEM 1)
5	37371281	4	Lever	(INCL. IN ITEM 1)
6	37371271	4	Lever	(INCL. IN ITEM 5)
7	31744123	2	Spring	(INCL. IN ITEM 1)
8	31743108	2	Spring	(INCL. IN ITEM 1)
9	3775E011	1	Connection	(INCL. IN ITEM 1)
10	2231236	1	Setscrew	(INCL. IN ITEM 1)
11	0170151	2	Circlip	(INCL. IN ITEM 1)
12	33117434	2	Washer	Repairs and replaces 33117415
13	33117426	2	Shim	(INCL. IN ITEM 1)
14	0720579	8	Screw	(INCL. IN ITEM 1)
15	0576052	8	Nut	(INCL. IN ITEM 1)
17	33811113	1	Olive	
18	31434163	8	Tappet	
19	31434307	8	Pushrod	
20	0096634	4	Screw	
21	0920006	4	Washer	



L-0572-11M-A

TIMING GEAR - A4.236

Item	Part Number	Qty	Description	Comments
				A4.236
1	37161901	1	Timing Case	
2	36814127	1	Joint	
3	0746255	9	Setscrew	
4	0920053	9	Washer	
5	31415321	1	Camshaft	
6	33153121	1	Washer	
7	2116053	1	Pin	
8	31171353	1	Gear,Camshaft	Number of teeth/spines 56
9	0500012	1	Woodruff Key	
10	33426161	1	Hub	
11	41115023	1	Idler	Number of teeth/spines 63
12	0050345	2	Bush	(INCL. IN ITEM 11)
13	0941082	1	Plate	
14	0096439	3	Bolt	
15	0746254	3	Setscrew	
16	0920053	3	Washer	
17	37166604	1	Cover	
18	2418F436	1	Seal	
19	36813138	1	Joint	
20	0746454	1	Setscrew	
21	0920054	1	Washer	
22	0096238	4	Bolt	
23	0920053	4	Washer	
24	0746255	3	Setscrew	
25	2411152	3	Washer	
26	0746255	12	Setscrew	
27	0920053	12	Washer	
28	0748351	1	Screw	
29	0920101	1	Washer	
30	2182122	1	Setscrew	
31	33115408	1	Washer	
32	31733121	1	Washer	
33	33153128	1	Washer	
34	37556117	1	Cover	
35	36825107	1	Joint	
36	0746252	8	Screw	
37	2411152	8	Washer	



L-0581-03M-A

MASSEY FERGUSON
MF 8 COMBINE, PLOT - 1810791

1810791

LUBRICATING OIL PUMP - A4.236

14

Item	Part Number	Qty	Description	Comments
				A4.236
1	41314054	1	Pump	
2	0746255	3	Setscrew	
3	0920053	3	Washer	
4	32716117	1	Shaft	
5	41115084	1	Gear	Number of teeth/spines 20
6	2511434	1	Bush	(INCL. IN ITEM 5)
7	2722A206	1	Circlip	
8	41371078	1	Relief Valve	
9	32712715	1	Plunger	(INCL. IN ITEM 8)
10	31742128	1	Spring	(INCL. IN ITEM 8)
11	33157122	1	Cap	(INCL. IN ITEM 8)
12	0610012	1	Pin	(INCL. IN ITEM 8)
13	0096438	1	Bolt	
14	0920054	1	Washer	
15	33137408	1	Thimble	
16	35714104	1	Pipe,Oil	
17	0490355	1	Joint	
18	0746052	2	Bolt	
19	0920052	2	Washer	
20	33532121	1	Union	
21	0560244	1	Olive	

Buy Now



Our support email:

ebooklibonline@outlook.com