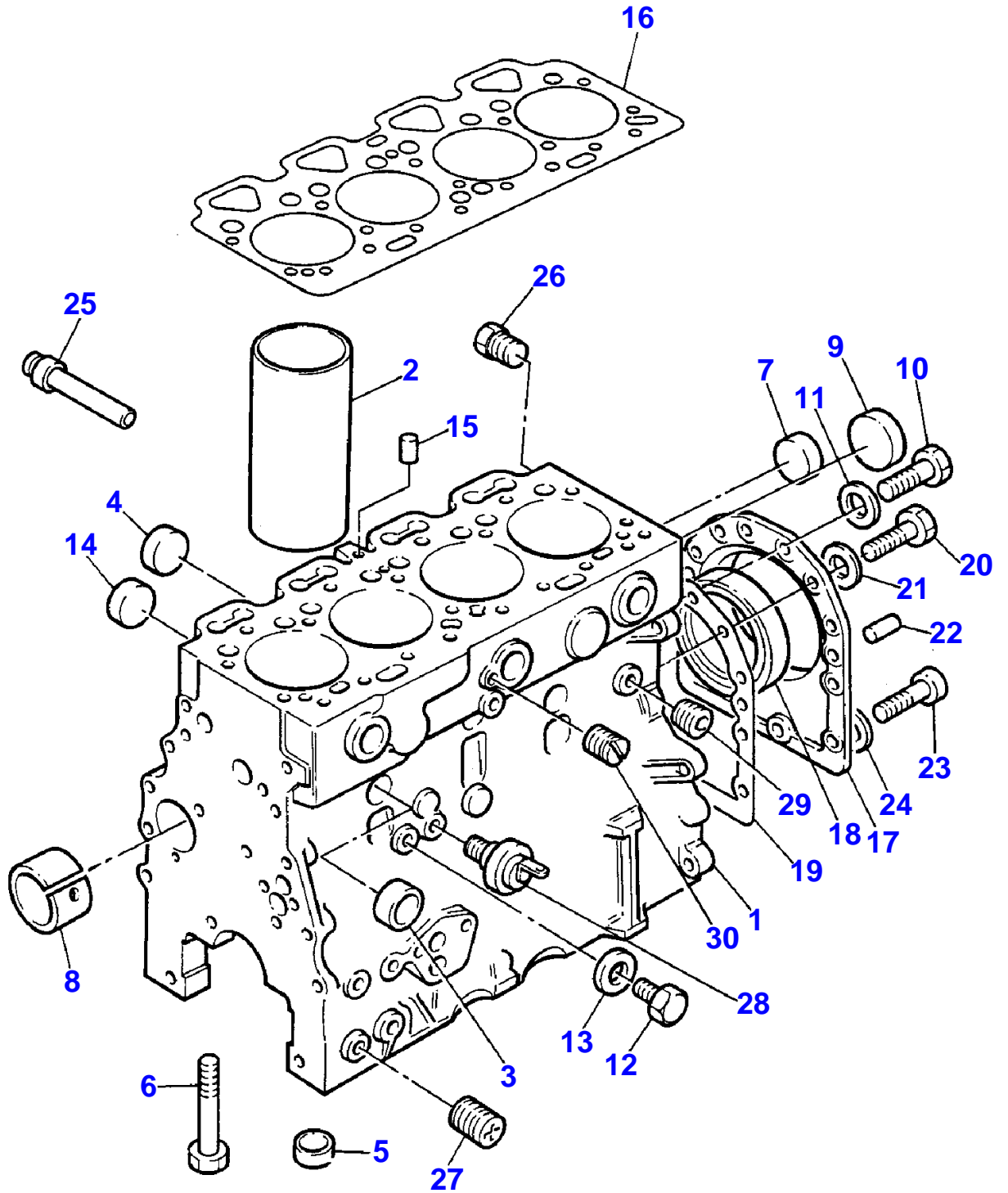


Page Title	Page Number
CYLINDER BLOCK - A4.236	2
CRANKSHAFT - A4.236	4
CYLINDER HEAD - A4.236	6
CYLINDER HEAD COVER - A4.236	10
TIMING GEAR - A4.236	12
LUBRICATING OIL PUMP - A4.236	14
FUEL INJECTION EQUIPMENT - A4.236	16
FLYWHEEL HOUSING - A4.236	18
FLYWHEEL AND STARTER RING - A4.236	20
STARTER - A4.236	22
LUBRICATING OIL SUMP - A4.236	24
LUBRICATING OIL FILLER AND BREATHER - A4.236	26
LUBRICATING OIL FILTER - A4.236	28
FRONT END DRIVE INPUT AND OUTPUT - A4.236	30
WATER PUMP - A4.236	32
WATER OUTLET AND INLET - A4.236	34
FAN AND EXTENSION - A4.236	36
ALTERNATOR - A4.236	38
GEAR DRIVE AUXILIARY DRIVE OPTIONS - A4.236	40
INDUCTION MANIFOLD - A4.236	42
EXHAUST MANIFOLD - A4.236	44
FUEL FILTERS AND PIPES - A4.236	46
COLD START SYSTEM - A4.236	50
ENGINE LIFTING - A4.236	52
JOINTS AND GASKETS - A4.236	54
STRAW DIVIDER	58
STRAW DIVIDER	60
CUTTING TABLE	62
CUTTING TABLE	64
CUTTING KNIFE ASSEMBLY	66
CUTTING KNIFE ASSEMBLY	70
REEL CARRIER	74
REEL CARRIER	78
PICK-UP REEL	80
PICK-UP REEL	84
REEL VARIATOR	86
FEEDER AUGER	88
FEEDER AUGER	90
FEEDER ELEVATOR	92
FEEDER ELEVATOR	96
CHAIN OF CROP ELEVATOR	98
CASING	102
CYLINDER AND CONCAVE	106
CYLINDER AND CONCAVE FOR MAIZE	108
CYLINDER AND CONCAVE FOR RICE	110
ADJUSTMENT OF CONCAVE	112
CYLINDER VARIATOR	114
STRIPPER BEATER	116
FAN	120
SHAKER SHOE DRIVE	124
SHAKERSHOE, GRAIN PAN, SIEVES	126
BOTTOM TROUGH	128
RETURN FAN	130
STRAW WALKERS	132
GRAIN TANK	134
UNLOADING AUGERS	138
BAGGING ATTACHMENT	142
STRAW CUTTER	146
STRAW CUTTER EQUIPMENT	148
OPERATORS PLATFORM	150
INSTRUMENT PANEL	152
RAILS, LADDER	156
PROTECTIONS, LEFT	158
PROTECTIONS, RIGHT	160
GUARDS FOR ENGINE	164
ENGINE POWER TRANSMISS.	166

TABLE OF CONTENT		00
RADIATOR, AIRFILTER, SILENCER	1/0	
THROTTLE AND STOP CONTROLS	172	
FRONT AXLE	174	
GEAR BOX	178	
REAR WHEELS	180	
BRAKE LINES	184	
TRACKS	186	
TRACTION HYDRAULICS	190	
HYDRAULICS	192	
BELTS AND CHAINS	196	
BELTS AND CHAINS	198	
WIRING DIAGRAM	200	
WIRING DIAGRAM - CUTTING TABLE	204	
DECALS	206	

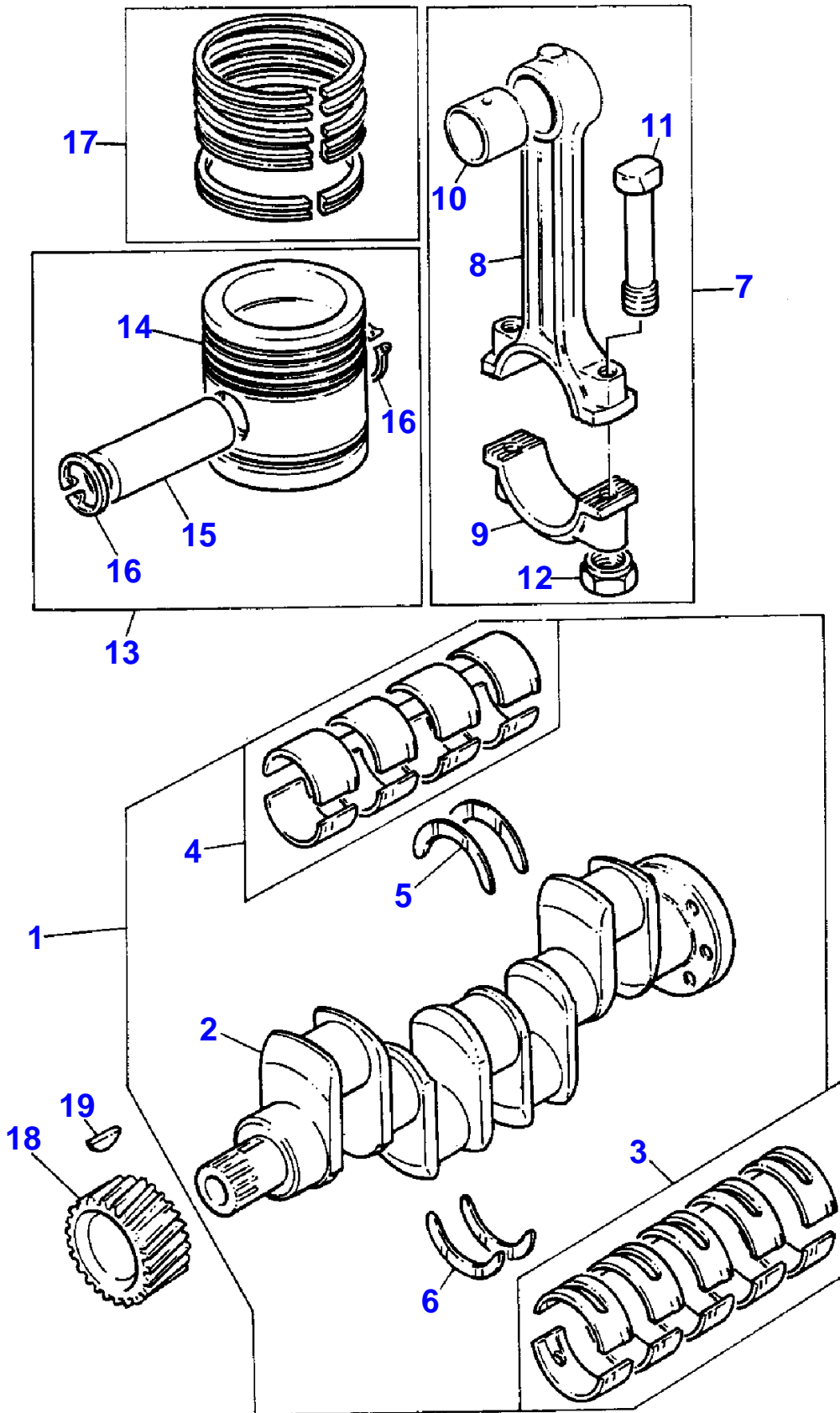
L-0560-12M-A



CYLINDER BLOCK - A4.236

Item	Part Number	Qty	Description	Comments
				A4.236
1	ZZ50065	1	Kit,Cyl.Block	Repairs and replaces ZZ0058
2	31358324	4	Liner	(A) (INCL. IN ITEM 1)
3	0650563	6	Plug	(INCL. IN ITEM 1)
4	0650618	4	Plug	(INCL. IN ITEM 1)
5	33142111	10	Thimble	(INCL. IN ITEM 1)
6	32166329	10	Bolt	(INCL. IN ITEM 1)
7	0650563	1	Plug	
8	31134132	1	Bush	(INCL. IN ITEM 1)
9	32416105	1	Plug	
10	0650582	1	Plug	
11	0920130	1	Washer	
12	0746451	1	Screw	
13	0920155	1	Washer	
14	0650577	4	Plug	
15	32417134	1	Plug	
16	36812349	1	Head Gasket	
17	4142V031	1	Housing	Repairs and replaces 4142V031
18	2418F475	1	Seal	(INCL. IN ITEM 19)
19	36817157	1	Joint	
20	0746211	10	Bolt	
21	0920003	10	Washer	
22	0350009	2	Dowel	
23	2172530	2	Capscrew	
24	33112111	2	Washer	
25	2485A204	1	Plug	
26	32161114	1	Plug	Repairs and replaces 32162357
27	32114481	8	Plug	
28	2848062	1	Switch	
29	06505937	1	Plug	
30	32114116	1	Plug	
				(A) PRESS FIT

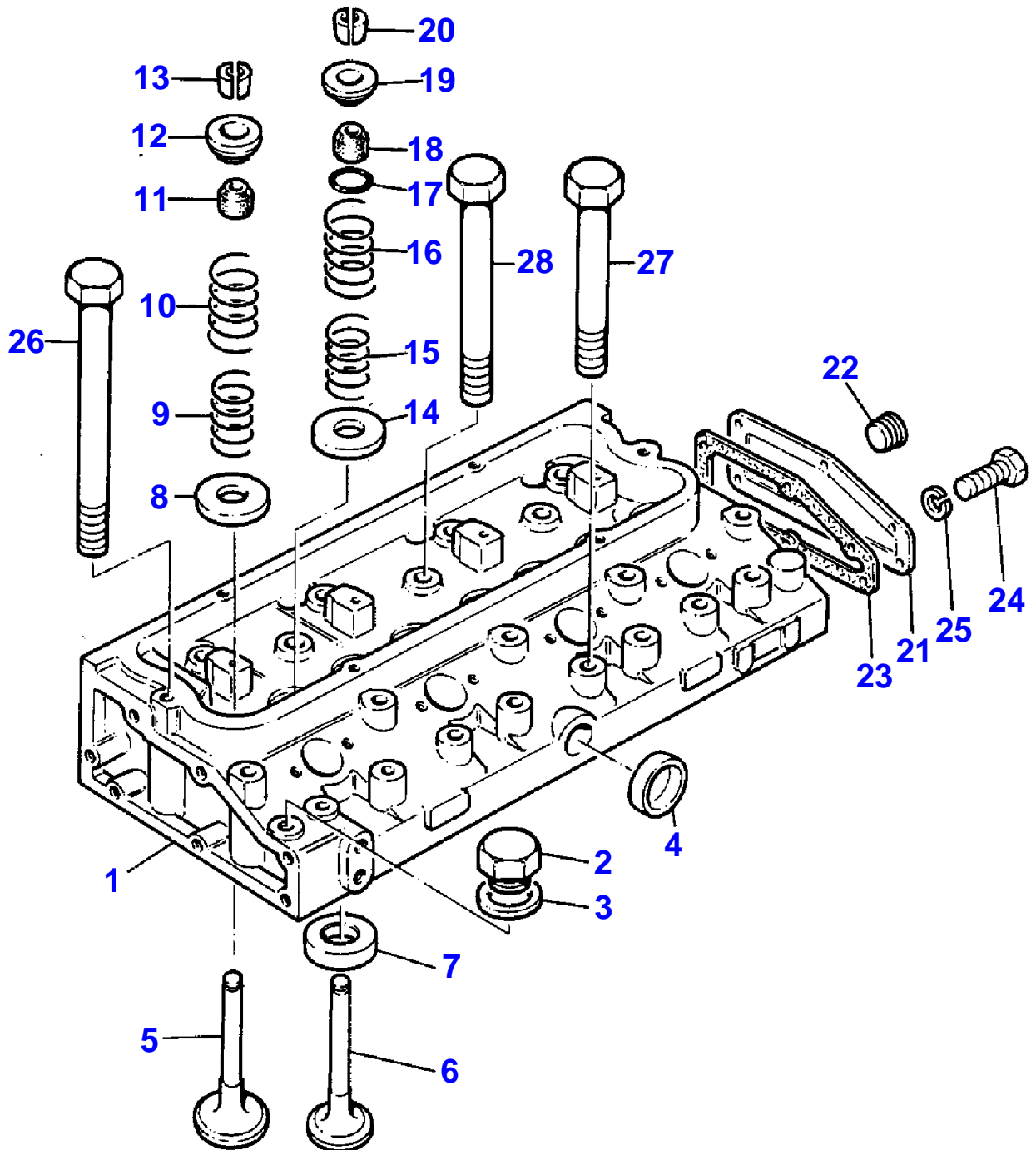
L-0563-10M-A



CRANKSHAFT - A4.236

Item	Part Number	Qty	Description	Comments
				A4.236
1	U5BG0019	1	Kit, Crankshaft	
2		1	Crankshaft	(INCL. IN ITEM 1)
3	81558		Kit, Bearing	(A) (INCL. IN ITEM 1)
	81558A	X	Kit, Bearing	(A) Thickness (-)0.25
	81558B	X	Kit, Bearing	(A) Thickness (-)0.50
	81558C	X	Kit, Bearing	(A) Thickness (-)0.75
4	85042	1	Kit, Bearing	(A) (INCL. IN ITEM 1)
	85042A	X	Kit, Bearing	(A) Thickness (-)0.25
	85042B	X	Kit, Bearing	(A) Thickness (-)0.50
	85042C	X	Kit, Bearing	(A) Thickness (-)0.75
	85042C	X	Kit, Bearing	(A) (INCL. IN ITEM 1) Thickness (-)0.75
5	31137311	2	Washer	(INCL. IN ITEM 1) Thickness (-)0.75 MM
	31137312	X	Thrust Washer	Thickness (+)0.19 MM
6	31137321	2	Washer	(INCL. IN ITEM 1) Thickness (+)0.19 MM
	31137322	4	Thrust Washer	Thickness (+)0.19 MM
7	22900095	4	Kit, Crankshaft	Repairs and replaces MFD10015
8		1	Conrod	Not serviced, order REF. 7
9		1	Cap	Not serviced, order REF. 7
10	31134123	1	Bush	(INCL. IN ITEM 7)
11	32762116	2	Bolt	(INCL. IN ITEM 7)
12	33221328	2	Nut	(INCL. IN ITEM 7)
13	68300	4	Kit, Piston	(B)
	68300C	4	Kit, Piston	(B) Thickness (+)0,75
	68301	4	Kit, Piston	(C)
	68301C	X	Kit, Piston	(C) Thickness (+)0,75
14		1	Piston	Not serviced, order REF. 13
15		1	Pin	Not serviced, order REF. 13
16	0170002	2	Circlip	(INCL. IN ITEM 13)
17	41158021	4	Kit, Piston Ring	
	41158041C	X	Kit, Piston Ring	Thickness (+)0,75
18	31171681	1	Gear,Crankshaft	Number of teeth/spines 28
19	0500012	1	Woodruff Key	(A) PRE-FINISHED (B) UNTOPPED (C) PRESS FIT

L-0566-10M-A



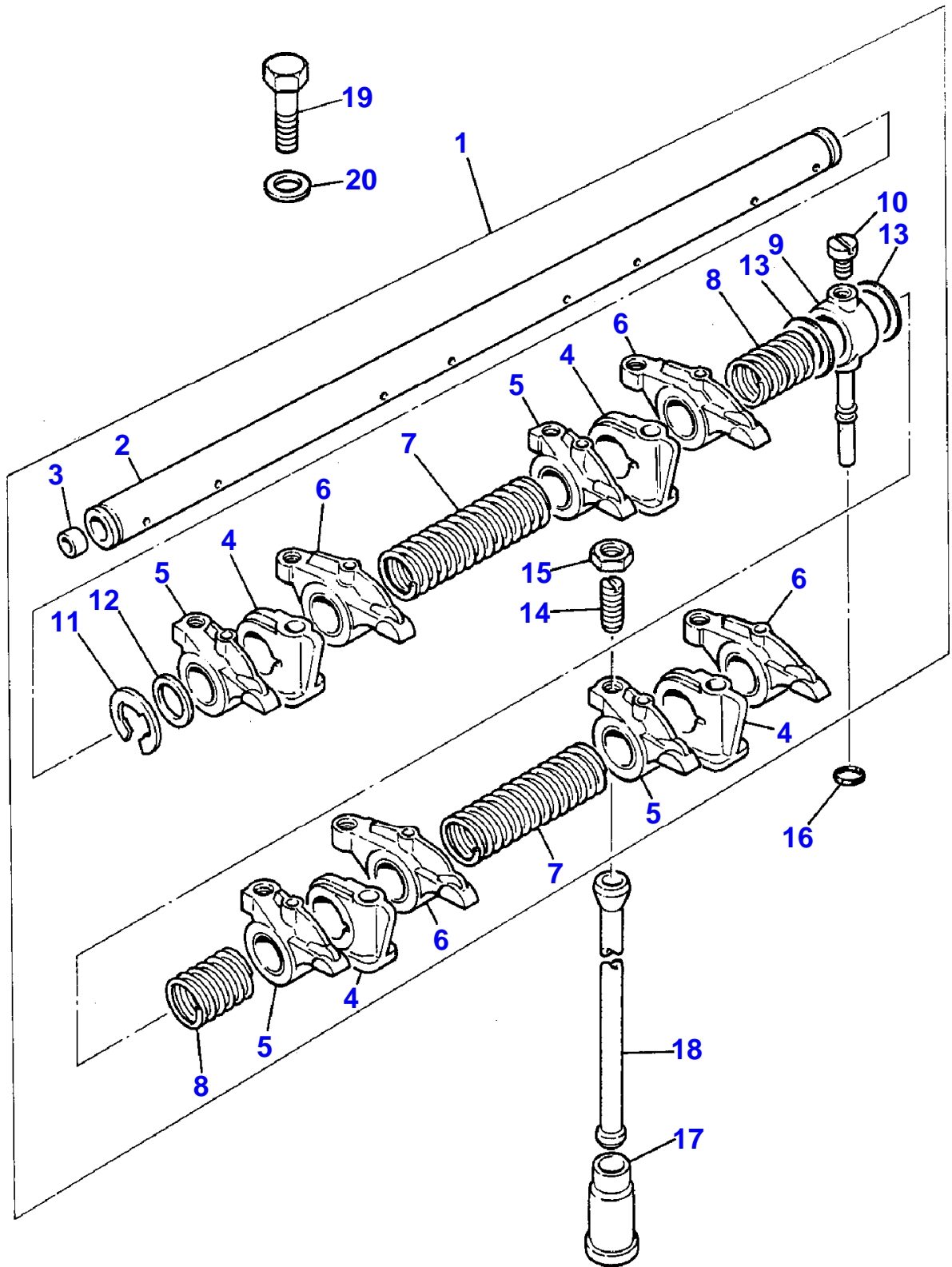
CYLINDER HEAD - A4.236

Item	Part Number	Qty	Description	Comments
				A4.236
1	ZZ80079	1	Kit, Cyl. Head	Repairs and replaces U5BD00010
2	0650203	1	Plug	
3	2411107	1	Washer	(INCL. IN ITEM 1)
4	0650563	1	Plug	(INCL. IN ITEM 1)
5	31431641	4	Valve Inlet	(INCL. IN ITEM 1)
	31431401	X	Valve Inlet	Thickness (+)0.08MM
	31431402	X	Valve Inlet	Thickness (+)0.38MM
	31431403	X	Valve Inlet	Thickness (+)0.75MM
6	31431881	4	Valve Exhaust	(INCL. IN ITEM 1)
				Thickness (+)0.75MM
	31431882	X	Valve Exhaust	Thickness (+)0.08MM
	31431883	X	Valve Exhaust	Thickness (+)0.38MM
	31431884	X	Valve Exhaust	Thickness (+)0.75MM
7	33152139	X	Insert	
8	33123117	8	Washer	(A) (INCL. IN ITEM 1)
	33415118	8	Washer	(B) (INCL. IN ITEM 1)
9	31744131	8	Spring	
10	31745121	8	Spring	
11	33817117	4	Seal	(INCL. IN ITEM 1)
				Repairs and replaces 33817125
12	33423147	8	Cap	(INCL. IN ITEM 1)
13	33173108	8	Cotter	(C) (INCL. IN ITEM 1)
14	33123117	4	Washer	(A) (INCL. IN ITEM 1)
	33415118	4	Washer	(B) (INCL. IN ITEM 1)
15	31744131	4	Spring	(INCL. IN ITEM 1)
16	31745121	4	Spring	(INCL. IN ITEM 1)
17	2415B201	4	O Ring	(INCL. IN ITEM 1)
18	33817117	4	Seal	(INCL. IN ITEM 1)
19	33423147	4	Cap	(INCL. IN ITEM 1)
20	33173108	8	Cotter	(C) (INCL. IN ITEM 1)
21	33221316	1	Nut	(D) (INCL. IN ITEM 1)
	3621F005	1	Plate	(E)
22	2431154	1	Plug	(F) (INCL. IN ITEM 1)
23	36851409	1	Joint	(INCL. IN ITEM 1)
24	0746254	6	Setscrew	(G) (INCL. IN ITEM 1)
	0746255	1	Setscrew	(H) (INCL. IN ITEM 1)
25	0920053	5	Washer	(INCL. IN ITEM 1)
26	32181424	8	Screw	(I)
	32166339	8	Screw	(J)
27	32181425	12	Screw	(I)
	32166338	12	Bolt	(J)
28	32181426	2	Screw	(I)
	32166337	2	Screw	(J)
				(A)
				USED ONLY WITH U5BD0010 (CYLINDER HEAD)
				(B)
				USED ONLY WITH ZZ80079 (CYLINDER HEAD)
				(C)
				SERVICED IN PARIS
				(D)
				REMOVE AND FIT 3621F005
				(E)
				FITTED IN PLACE OF COVER SUPPLIED WITH CYLINDER HEAD ASSEMBLY
				(F)

CYLINDER HEAD - A4.236

Item	Part Number	Qty	Description	Comments
				NOT REQUIRED WHEN CYLINDER HEAD REAR END COVER 362 1F005 IS FITTED
				(G)
				REMOVE ONE SCREW AND REPLACE WITH 0746255 TO SECUR E LIFT PUMP TO FUEL FILTER PIPE CLIP
				(H)
				REPLACES ONE OF CYLINDER HEAD REAR END COVER SECUR ING SCREWS SUPPLIED WITH CYLINDER HEAD ASSEMBLY
				(I)
				UP TO ENGINE NO U027630M. SEE ALSO SERVICE BULLETI N NO.21
				(J)
				FROM ENGINE NO U027631M. SEE ALSO SERVICE BULLETIN NO.21

L - 0569-10M-A



CYLINDER HEAD COVER - A4.236

Item	Part Number	Qty	Description	Comments
				A4.236
1	87144	1	Rocker Shaft Ass	
2	83449	1	Rocker Shaft	(INCL. IN ITEM 1)
3	0650507	2	Plug	(INCL. IN ITEM 2)
4	37521332	4	Bracket	(INCL. IN ITEM 1)
5	37371281	4	Lever	(INCL. IN ITEM 1)
6	37371271	4	Lever	(INCL. IN ITEM 5)
7	31744123	2	Spring	(INCL. IN ITEM 1)
8	31743108	2	Spring	(INCL. IN ITEM 1)
9	3775E011	1	Connection	(INCL. IN ITEM 1)
10	2231236	1	Setscrew	(INCL. IN ITEM 1)
11	0170151	2	Circlip	(INCL. IN ITEM 1)
12	33117434	2	Washer	Repairs and replaces 33117415
13	33117426	2	Shim	(INCL. IN ITEM 1)
14	0720579	8	Screw	(INCL. IN ITEM 1)
15	0576052	8	Nut	(INCL. IN ITEM 1)
17	33811113	1	Olive	
18	31434163	8	Tappet	
19	31434307	8	Pushrod	
20	0096634	4	Screw	
21	0920006	4	Washer	

TIMING GEAR - A4.236

Item	Part Number	Qty	Description	Comments
				A4.236
1	37161901	1	Timing Case	
2	36814127	1	Joint	
3	0746255	9	Setscrew	
4	0920053	9	Washer	
5	31415321	1	Camshaft	
6	33153121	1	Washer	
7	2116053	1	Pin	
8	31171353	1	Gear,Camshaft	Number of teeth/spines 56
9	0500012	1	Woodruff Key	
10	33426161	1	Hub	
11	41115023	1	Idler	Number of teeth/spines 63
12	0050345	2	Bush	(INCL. IN ITEM 11)
13	0941082	1	Plate	
14	0096439	3	Bolt	
15	0746254	3	Setscrew	
16	0920053	3	Washer	
17	37166604	1	Cover	
18	2418F436	1	Seal	
19	36813138	1	Joint	
20	0746454	1	Setscrew	
21	0920054	1	Washer	
22	0096238	4	Bolt	
23	0920053	4	Washer	
24	0746255	3	Setscrew	
25	2411152	3	Washer	
26	0746255	12	Setscrew	
27	0920053	12	Washer	
28	0748351	1	Screw	
29	0920101	1	Washer	
30	2182122	1	Setscrew	
31	33115408	1	Washer	
32	31733121	1	Washer	
33	33153128	1	Washer	
34	37556117	1	Cover	
35	36825107	1	Joint	
36	0746252	8	Screw	
37	2411152	8	Washer	

Buy Now



Our support email:

ebooklibonline@outlook.com