



# **CAMECO<sup>®</sup>**

## **284 BOX SCRAPER**

### **2001 OPERATOR'S & PARTS MANUAL**

**Table of Contents**

**Introduction**

**Section 05—Safety**

**Section 10—Preparing the Scraper**

**Section 15—Preparing the Tractor**

**Section 20—Attaching Scraper to Tractor**

**INDEX**

**PARTS CATALOG**



# 284 Box Scraper

**CAMECO** Industries





# **CAMECO**<sup>®</sup>

A John Deere Company

Dear Customer:

Congratulations on the purchase of your Cameco Box Scraper and, if you are a new customer, welcome to the Cameco/John Deere family. We believe you will find your new scraper meets your expectations.

Of course, the Box Scraper is just one aspect of the Cameco ownership experience. A great deal of your satisfaction also depends on the performance of the people who represent the care and service of Cameco products. From your dealer sales representative, to the service department, to the parts department, the people of Cameco will strive to make your ownership experience truly exceptional.

This operator's manual provides information for the safe operation of your Box Scraper. Recommendations for service and maintenance are also included.

The Technical Publications Group, and the entire team at CAMECO Industries, would like to confirm our commitment to your satisfaction. Our goal is to assure your Cameco Box Scraper brings you many years of satisfactory service.

Technical Publications  
CAMECO Industries

---



### 284 BOX SCRAPER



cm010284001

READ THIS MANUAL carefully to learn how to operate and service your product correctly. Failure to do so could result in personal injury or equipment damage. This manual and safety signs on your product may also be available in other languages. (See your John Deere dealer to order.)

THIS MANUAL SHOULD BE CONSIDERED a permanent part of your product and should remain with the product when you sell it.

MEASUREMENTS in this manual are given in both metric and customary U.S. unit equivalents. Use only correct replacement parts and fasteners. Metric and inch fasteners may require a specific metric or inch wrench.

RIGHT-HAND AND LEFT-HAND sides are determined by facing in the direction of forward travel.

WRITE PRODUCT IDENTIFICATION NUMBERS (P.I.N.) in the Specification or Identification Numbers section. Accurately record all the numbers to help in tracing the product should it be stolen. Your dealer also needs these numbers when you order parts. File the identification numbers in a secure place off the product.



### 284 BOX SCRAPER WITH 210LE LANDSCAPER



We appreciate the confidence placed in us by your purchase of this product. Before this product was brought to market, countless hours were spent designing and testing to ensure that its performance would be at the highest level. To achieve maximum performance, it is imperative this product be operated in accordance with the procedure outlined in this manual.

Refer to your John Deere dealer's Pre-delivery Instructions for attachment assembly information.

Information in this manual is divided into sections. These sections are identified at the top of each page.

Two-part page numbers identify both the section and page of that section.

By reviewing this manual often, one will quickly learn which section to go to for specific information. A detailed Table of Contents is found immediately behind the introduction, and an index is provided at the back of the manual.

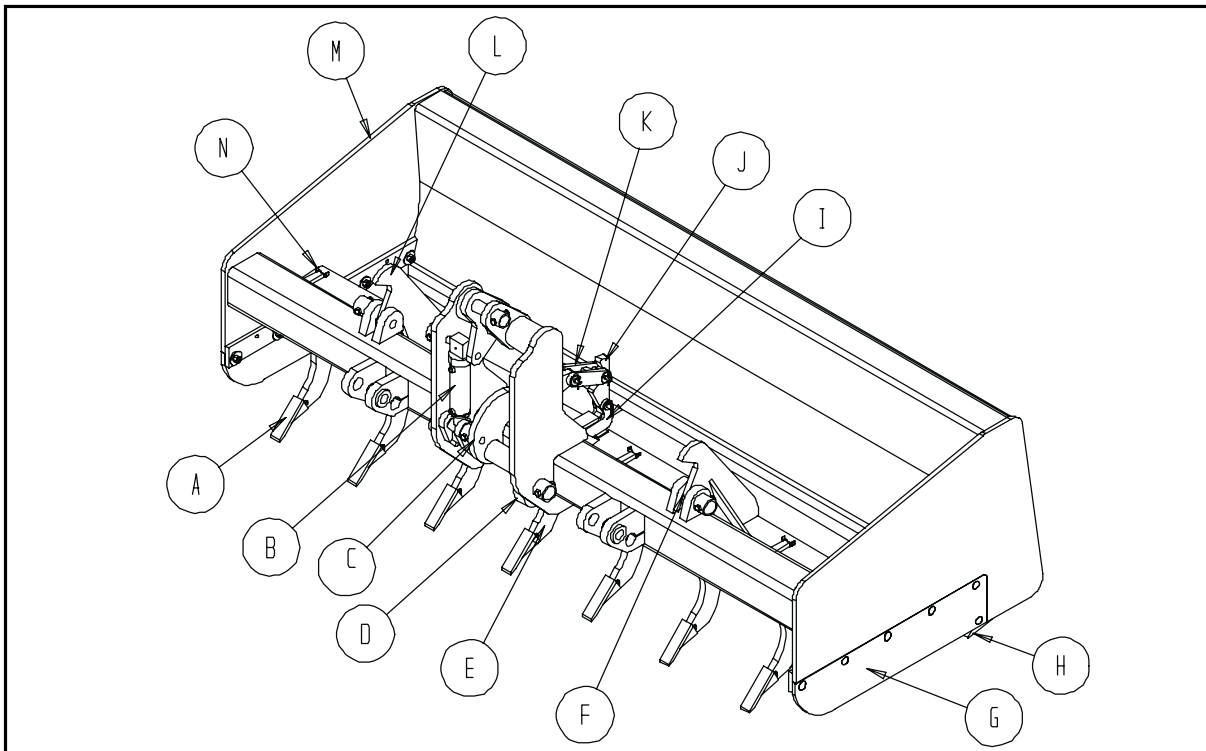
Thanks again for purchasing this product.



## Box Scraper Component Locations

Proceeding into the setup process it will be necessary to identify all components to verify that you are working with a complete scraper assembly. Some of the names and nomenclature of the scraper components may be foreign to some dealership personnel.

The following is a brief description and a few of the major components that make up a complete scraper assembly:



cm010284003

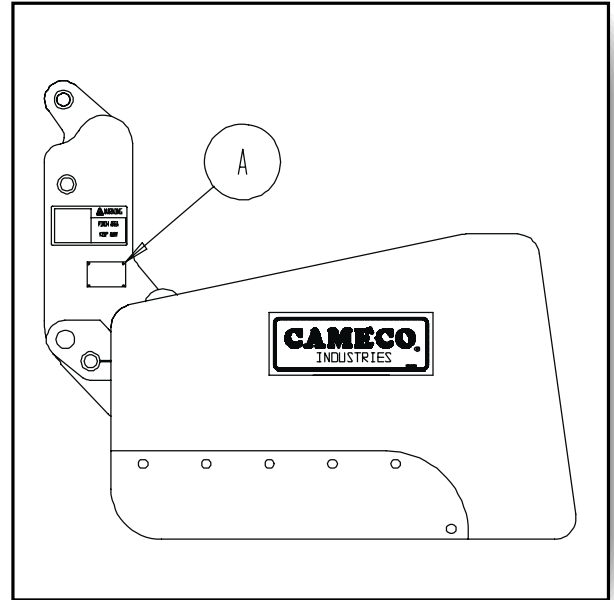
- |                    |                             |                   |
|--------------------|-----------------------------|-------------------|
| A — Tooth          | F — Scarifier Pivot Point   | J — Linkage Latch |
| B — Cylinder       | G — Replaceable Router Bits | K — Linkage Pivot |
| C — Pivot Assembly | H — Cutting Edge            | L — Scarifier Bar |
| D — Latch Assembly | I — Linkage Release         | M — Main Frame    |
| E — Scarifier      |                             | N — Retainer Clip |



## IDENTIFICATION PLATES

The letters and numbers stamped on the plates identify a component or assembly. ALL these characters are needed when ordering parts or identifying a tractor or component for any John Deere product support program. Also, they are needed for law enforcement to trace your scraper if it is ever stolen.

The identification number plate (A) is located on the left side of the mast on the Box Scraper Frame.

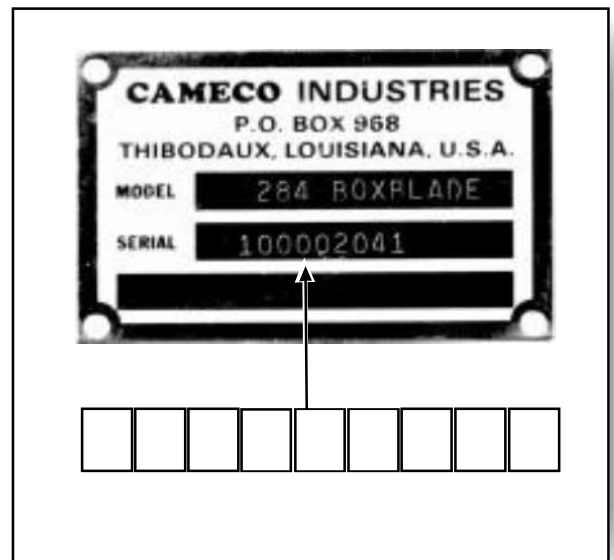


## RECORD BOX SCRAPER IDENTIFICATION NUMBER

The letters and numbers stamped on the plates identify a component or assembly. ALL these characters are needed when ordering parts or identifying a Box Scraper or component for any Cameco product support program.

Also, they are needed for law enforcement to trace your scraper if it is ever stolen.

**ACCURATELY** record these characters in the spaces provided.



**Buy Now**



Our support email:

[ebooklibonline@outlook.com](mailto:ebooklibonline@outlook.com)