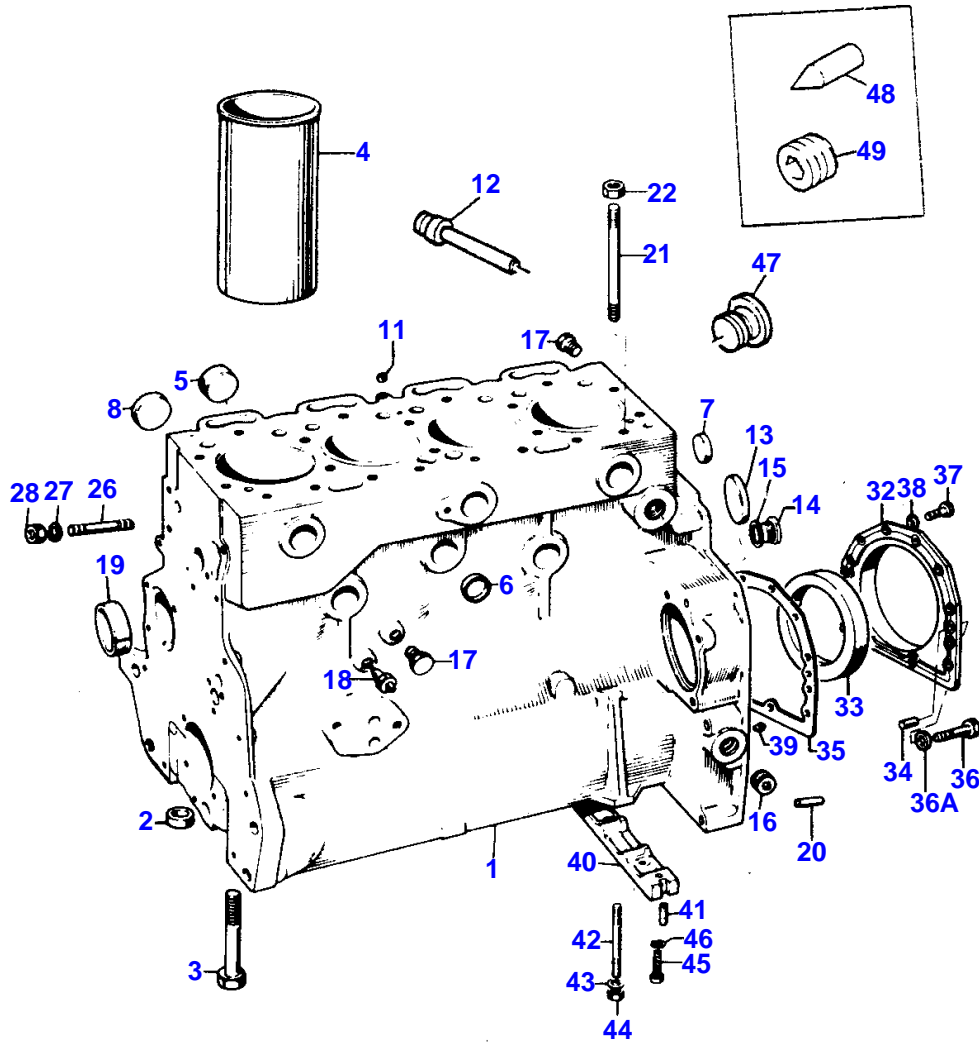


Page Title	Page Number
CYLINDER BLOCK - A4.236	2
CRANKSHAFT & FLYWHEEL - A4.236	6
CYLINDER HEAD AND COVER - A4.236	8
ROCKER ARM - A4.236	12
TIMING GEAR - A4.236	14
LUBRICATING OIL SYSTEM - OIL SUMP - A4.236	18
LUBRICATING OIL SYSTEM - OIL SUMP - A4.236	20
BALANCER UNIT - A4.236	21A
BALANCER UNIT - A4.236	21C
BALANCER UNIT - A4.236-A4.248	21E
LUBRICATING OIL SYSTEM	21G
WATER PUMP AND FAN	22
FUEL PIPINGS - A4.236	26
FUEL FILTER	28
LIFT PUMP	30
STARTER MOTOR	32
STARTER MOTOR	34
STARTER MOTOR	35A
ALTERNATOR	36
ALTERNATOR	38
KIT GASKETS	40
ENGINE - A4.236	42
FUEL TANK	44
FUEL TANK	46
FUEL TANK AND PIPINGS	48
RADIATOR	50
INDUCTION MANIFOLD AIR	54
AIR FILTER	56
EXHAUST MANIFOLD AND MUFFLER - MUFFLER HORIZONTAL	58
EXHAUST MANIFOLD AND MUFFLER - MUFFLER VERTICAL	60
ENGINE CONTROLS	62
ELECTRICAL WIRING	64
BATTERY	66
LIGHTS	68
INSTRUMENT PANEL	72
DUAL CLUTCH - LUK	74
DUAL CLUTCH - O.M.G.	76
CLUTCH CONTROL	78
CENTRE AXLE HOUSING AND TRANSMISSION HOUSING	82
SYNCHRO-MESH TRANSMISSION	86
REDUCER	90
REDUCER CONTROL	92
CONTROLS AND TRANSMISSION LEVERS	94
POWER TAKE OFF - STD	96
POWER TAKE OFF - 540/750/1000 R.P.M.	98
DIFFERENTIAL	102
DIFFERENTIAL LOCK	104
REAR AXLE HOUSING	106
BRAKE AND CONTROLS	108
HAND BRAKE	112
HAND BRAKE	114
BRAKES PUMP	118
BRAKE CYLINDER	120
HYDRAULIC TRAILER BRAKING SYSTEM	122
RIM & TIRES	124
FRONT AXLE - 2 WHEEL DRIVE	128
STEERING HYDRAULIC EQUIPMENT	130
STEERING HYDRAULIC EQUIPMENT	133A
STEERING CONTROL VALVE - 2 WHEEL DRIVE	134
STEERING CONTROL VALVE - 4 WHEEL DRIVE	136
STEERING PUMP	138
STEERING PUMP - TUROLLA	139A
STEERING CYLINDER - 2 WHEEL DRIVE	140
STEERING CYLINDER - 4 WHEEL DRIVE	142
STEERING CYLINDER - 4 WHEEL DRIVE	144
STEERING CYLINDER - 4 WHEEL DRIVE	146

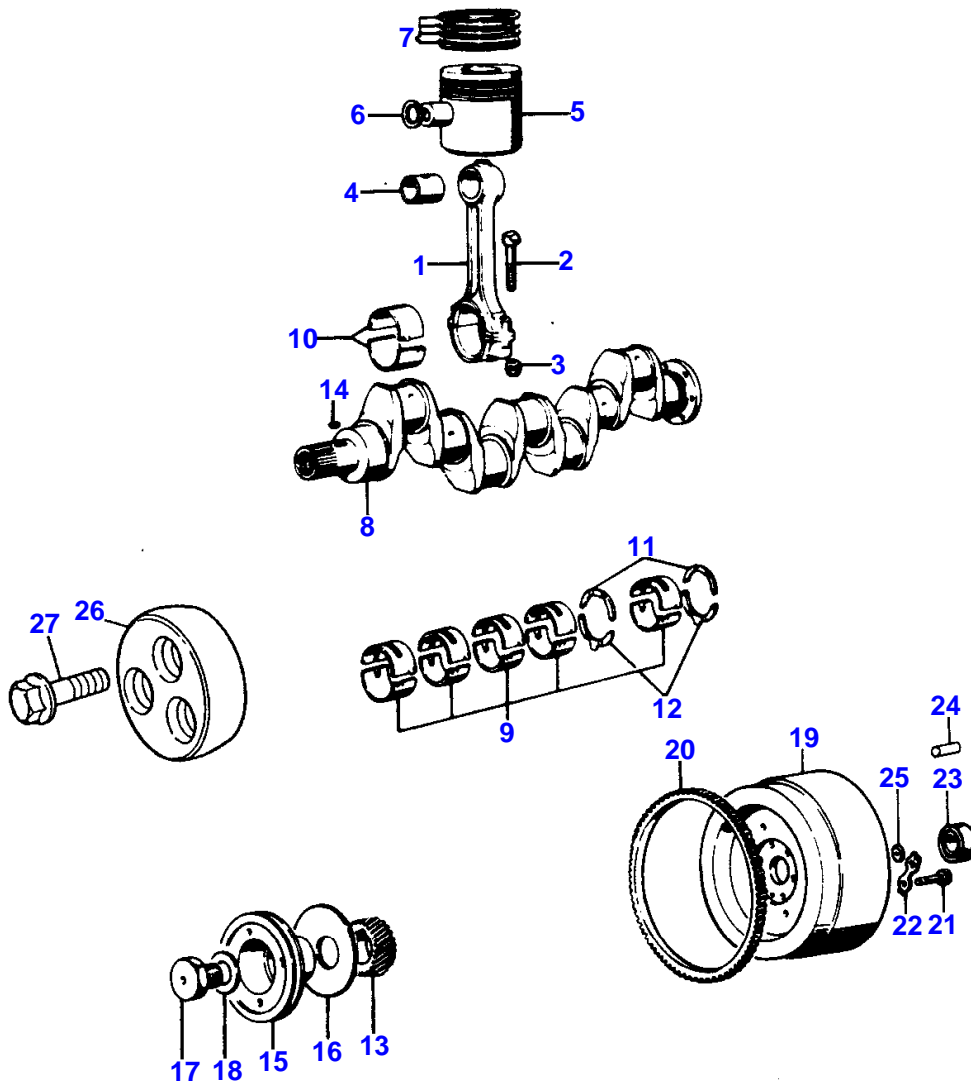
TABLE OF CONTENT

STEERING CYLINDER - 4 WHEEL DRIVE	148
HYDRAULIC LIFT PIPINGS	150
PIPINGS AUXILIARY VALVE - TANDEM PUMP	151A
PIPINGS AUXILIARY VALVE - TANDEM PUMP	151E
OIL PUMP - HYDRAULIC PUMP	152
OIL PUMP BOSCH - HYDRAULIC LIFT	153A
HYDRAULIC CONTROL VALVE - HYDRAULIC LIFT	154
HYDRAULIC LIFT	156
LIFT CONTROL	160
LIFT CONTROL	163A
PIPINGS AUXILIARY CONTROL VALVES - 3 CONTROL VALVES	164
ADDITIONAL POWER OUTLET UNIT	166
AUXILIARY HYDRAULICS VALVE - STD	168
AUXILIARY HYDRAULICS VALVE - STD	170
AUXILIARY HYDRAULICS VALVE - FLOATING	172
AUXILIARY HYDRAULICS VALVE - FLOATING	174
VALVE - HYDRAULICS EQUIPMENT	176
LINKAGE	178
LINKAGE	182
LINKAGE CAT. II	187A
LINKAGE CAT. II - JAPAN ONLY	187E
LINKAGE CAT. II - WITH STABILIZERS	188
REAR HOOK	194
REAR HOOK	196
DRAWBAR	198
MOUNTING FRAME AND FRONT WEIGHTS	200
HARDNOSE AND GRILLES	202
ENGINE HOOD	204
HOOD BRACKET AND INSTRUMENT PANEL	206
FENDERS AND PLATFORM	208
FENDER	211A
FRONT FENDERS	212
SEAT	212
SEAT	214
SEAT	216
SAFETY FRAME	218
SAFETY FRAME	220
DECAL AND EMBLEMS	222
TRANSFER GEAR BOX - 4 WHEEL DRIVE	224
TRANSFER GEAR BOX - 4 WHEEL DRIVE	226
FRONT AXLE - HOUSING - DIFFERENTIAL	228
FRONT AXLE - HOUSING - DIFFERENTIAL	232
FRONT AXLE - FINAL DRIVE	236
TOOL GROUP	238

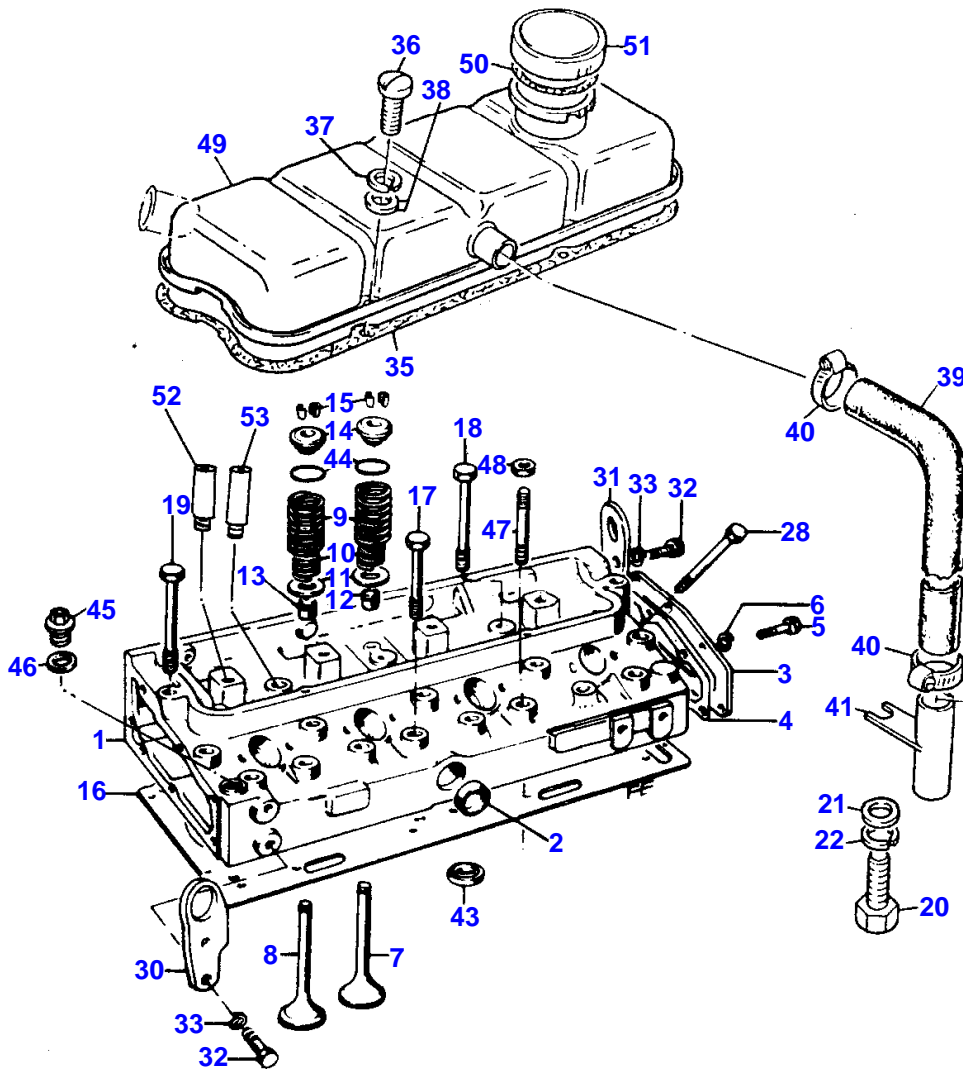
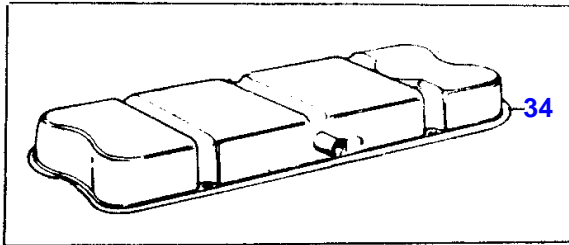


Item	Part Number	Qty	Description	Comments
				A4.236
1	ZZ50031	1	Kit,Cyl.Block	Up to Serial or Engine Number
	ZZ50114	1	Kit,Cyl.Block	From Serial or Engine Number
2	33142111	10	Thimble	
3	32166329	10	Bolt	1
4	31358394	X	Liner	(B) Up to Serial or Engine Number U08336N
4	3135X032	X	Liner	(B) From Serial or Engine Number U08337N
4	31358393	4	Liner	(A) Up to Serial or Engine Number U08336N
4	3135X031	4	Liner	1 (A) From Serial or Engine Number U08337N
5	0650618	4	Plug	1
6	0650563	6	Plug	1
7	0650563	2	Plug	1
8	0650577	4	Plug	
11	32417134	1	Plug	
12	2485A204	1	Plug	1
13	32416105	1	Plug	
14	0650582	1	Plug	
15	0920130	1	Washer	
16	0650588	1	Plug	
17	2431131	1	Plug	
18	1423895M91	1	Switch	Up to Serial or Engine Number 137D00011/237D00107
	1877721M921	1	Switch	From Serial or Engine Number 137D00012/237D00108
19	31134132	1	Bush	
20	0350018	2	Dowel	
26	0826469	1	Stud	
27	0920054	1	Washer	
28	0576051	1	Nut	
32	4142V061	1	Kit, Housing	
33	2418F475	1	Seal	32
34	0350009	2	Dowel	
35	36817157	1	Joint	
36	2172530	2	Capscrew	
36A	33112111	2	Washer	
37	0746211	10	Bolt	
38	0920003	10	Washer	
39	32452113	1	Pointer	
40	36277833	1	Bridge Piece	
41	32811408	1	Joint	
42	2217150	2	Stud	
43	0920053	2	Washer	
44	0576002	2	Nut	
45	2176369	2	Screw	
46	0920521	2	Washer	
47	32161114	2	Plug	
48	32452113	1	Pointer	
49	0650588	1	Plug	

(A)
PRESS FITTING
(B)
SLIP FIT



Item	Part Number	Qty	Description	Comments
				A4.236
1	ZZ90009	4	Kit, Conrod	Repairs and replaces M7BJ0015
2	32762116	8	Bolt	1
3	33221328	8	Nut	1
4	31134123	4	Bush	1
5	68301	4	Kit, Piston	(D)
	68300	X	Kit, Piston	(A)
	68301C	X	Kit, Piston	(D)
				Thickness +0,762 MM
5	68300C	X	Kit, Piston	(A)
				Thickness +0,762 MM
6	0170002	8	Circlip	5
7	41158041	4	Kit, Piston Ring	
	41158041C	X	Kit, Piston Ring	(D)
				Thickness +0,762 MM
8		1	Crankshaft	Not serviced, order 68609
9	81558	1	Kit, Bearing	(C)
				8
9	81558A	X	Kit, Bearing	(C)
				Thickness -0,254 MM
9	81558B	X	Kit, Bearing	(C)
				Thickness -0,508 MM
9	81558C	X	Kit, Bearing	(C)
				Thickness -0,762 MM
10	85042	1	Kit, Bearing	(C)
				8
10	85042A	X	Kit, Bearing	(C)
				Thickness -0,254 MM
10	85042B	X	Kit, Bearing	(C)
				Thickness -0,508 MM
10	85042C	X	Kit, Bearing	(C)
				Thickness -0762 MM
11	31137311	2	Washer	8
	31137312	X	Thrust Washer	Thickness +0,178 MM
12	31137321	2	Washer	8
	31137322	X	Thrust Washer	Thickness +0,178 MM
13	31171681	1	Gear	Number of teeth/spines 28
14	0500012	1	Woodruff Key	
15	31148792	1	Pulley	
16	33125416	1	Washer	
17	32162318	1	Screw	Repairs and replaces 32162331
18	33125124	1	Washer	
19	1825511M1	1	Flywheel	
20	0410236	1	Starter Ring	
21	973013M1	6	Bolt	
22	0921062	3	Tab Washer	
23	339599X1	1	Bearing Ball	
24	1817069M1	2	Pin	(B)
25	33117121	6	Washer	
26	3271R021	1	Spacer	(E)
27	32186139	3	Screw	(E)
				(A)
				SEMIFINISHED
				(B)
				USED ONLY FOR SINGLE CLUTCH
				(C)
				PRE-FINISHED
				(D)
				PRE-TOPPED
				(E)
				USED ONLY WITH CRANKSHAFT U5BG0022/U5BG0023/ U5BG0024/U5BG0025/U5BG0026



CYLINDER HEAD AND COVER - A4.236

Item	Part Number	Qty	Description	Comments
				A4.236
1	ZZ80054	1	Kit, Cyl. Head	Up to Serial or Engine Number
	ZZ80015	1	Kit, Cyl. Head	From Serial or Engine Number
2	0650563	1	Plug	1
3	3621F005	1	Plate	(B) Repairs and replaces 37553142
				1
3	3623K007	1	Plate	(C)
				1
4	36851409	1	Joint	(B)
				1
4	3685R004	1	Joint	(C)
				1
5	0746254	6	Setscrew	(B)
				1
6	0920053	6	Washer	(B)
				1
6	0920054	2	Washer	(C)
				1
7	31431641	4	Valve Inlet	1
	31431401	X	Valve Inlet	Thickness +0,076 MM
	31431402	X	Valve Inlet	Thickness +0,38 MM
	31431403	X	Valve Inlet	Thickness .0,76 MM
8	31431881	4	Valve Exhaust	1
	31431882	X	Valve Exhaust	Thickness 0,076 MM
	31431883	X	Valve Exhaust	Thickness +0,38 MM
	31431884	X	Valve Exhaust	Thickness +0,76 MM
9	31745121	8	Spring	1
10	31744131	8	Spring	1
11	33415118	8	Washer	1
12	33817117	4	Seal	1
13	33817117	4	Seal	1
14	33423147	9	Cap	1
15	33173108	8	Cotter	(A)
				1
16	36812349	1	Head Gasket	Up to Serial or Engine Number U08336N
	36812352	1	Head Gasket	From Serial or Engine Number U08337N
17	32166339	8	Screw	
18	32166338	12	Bolt	
19	32166337	2	Screw	
20	0096215	1	Screw	
21	0920003	1	Washer	
22	0920053	1	Washer	
28	0096232	8	Bolt	
30	3648C004	1	Plate	Repairs and replaces 36475706
31	36177111	1	Plate	
32	0746453	4	Setscrew	(C)
33	0920054	4	Washer	(C)
34	37188549	1	Cyl.Head Cover	Up to Serial or Engine Number
35	36811132	1	Joint	
36	2172513	4	Screw	
37	0920052	4	Washer	
38	0920002	4	Washer	
39	33872516	1	Pipe,Breather	
40	0180063	2	Clip	
41	35731144	1	Pipe,Breather	
43	33152139	X	Insert	
44	2415B201	8	O Ring	1
45	0650203	1	Plug	1
46	2411157	1	Washer	1
47	32526312	2	Stud	Up to Serial or Engine Number U874811J
48	33221316	2	Nut	Up to Serial or Engine Number U874811J
49	37188141	1	Cyl.Head Cover	From Serial or Engine Number
50	24870002	1	Joint	From Serial or Engine Number
				51
51	2487845	1	Cap	From Serial or Engine Number
52	3343F002	4	Guide	(D)
				1
53	3343J002	4	Guide	(D)
				1

MASSEY FERGUSON

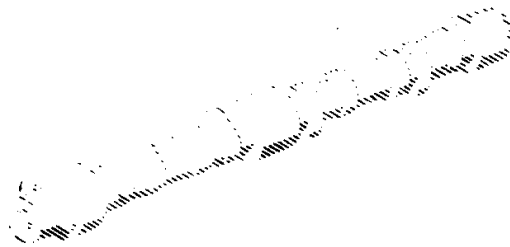
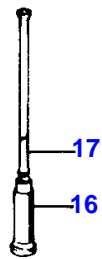
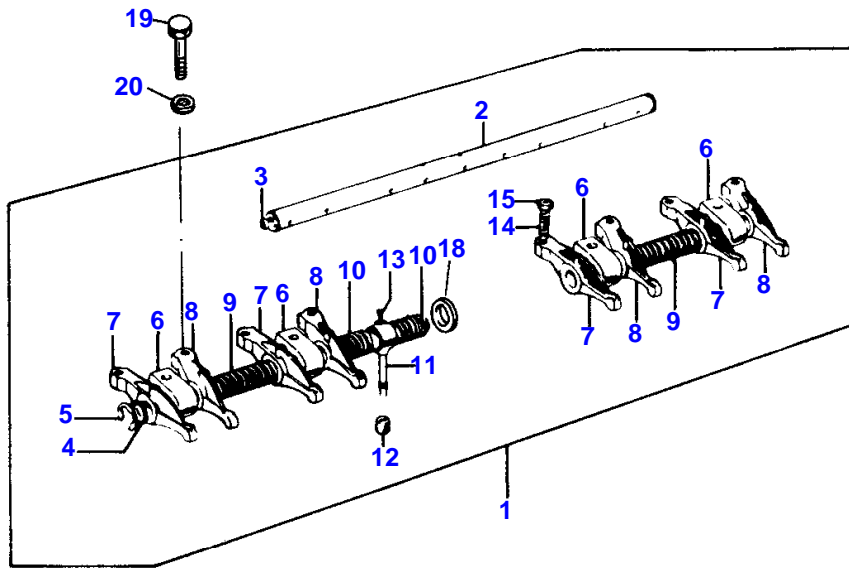
MF 174 F TRACTOR - 3310632

3310632

CYLINDER HEAD AND COVER - A4.236

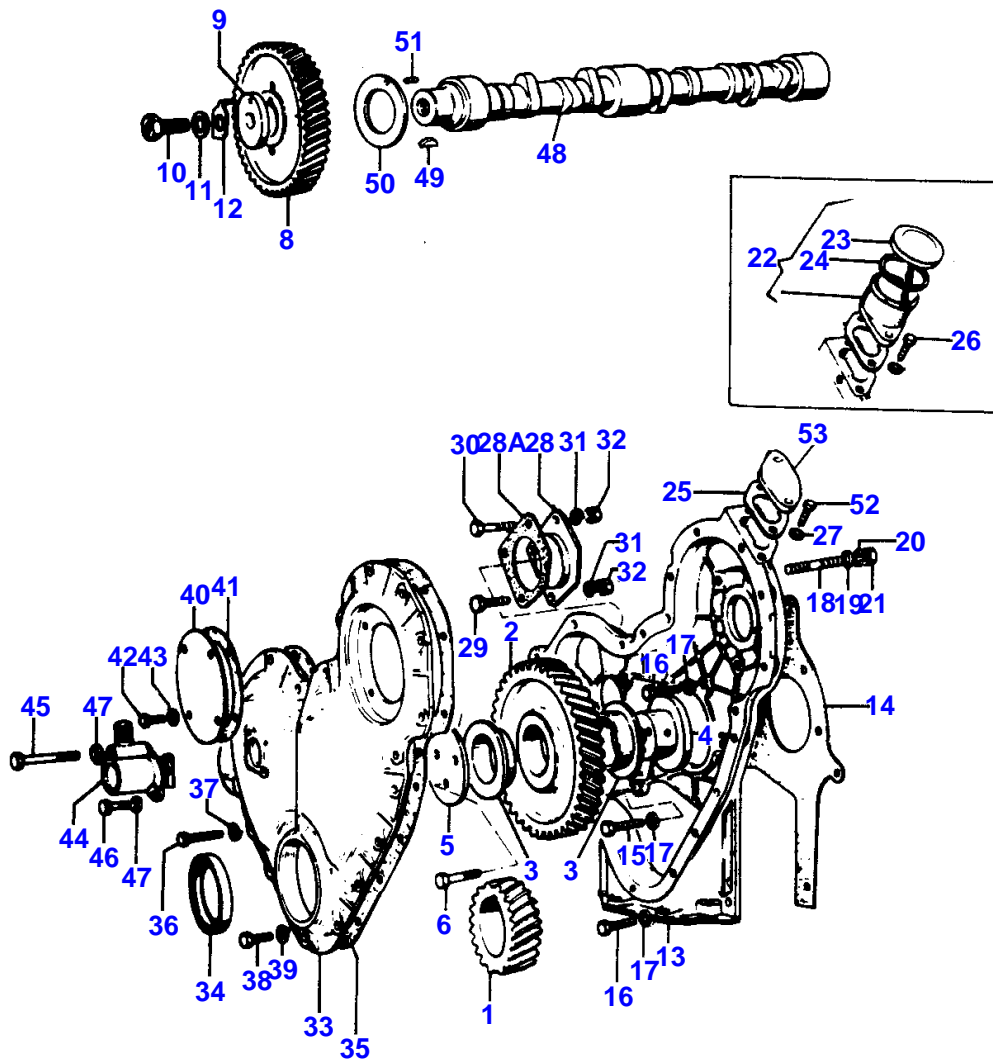
8

Item	Part Number	Qty	Description	Comments
				(A) SERVICED IN PAIR
				(B) USED ON CYLINDER HEADS WITH FIXING HOLES 6 OFF 5/16"
				(C) USED ON CYLINDER HEADS WITH FIXING HOLES 2 OFF 3/8 " AND 4 OFF 5/16".
				(D) USED ONLY WITH HEADS MACHINED TO ACCOMMODATE VALVE GUIDES

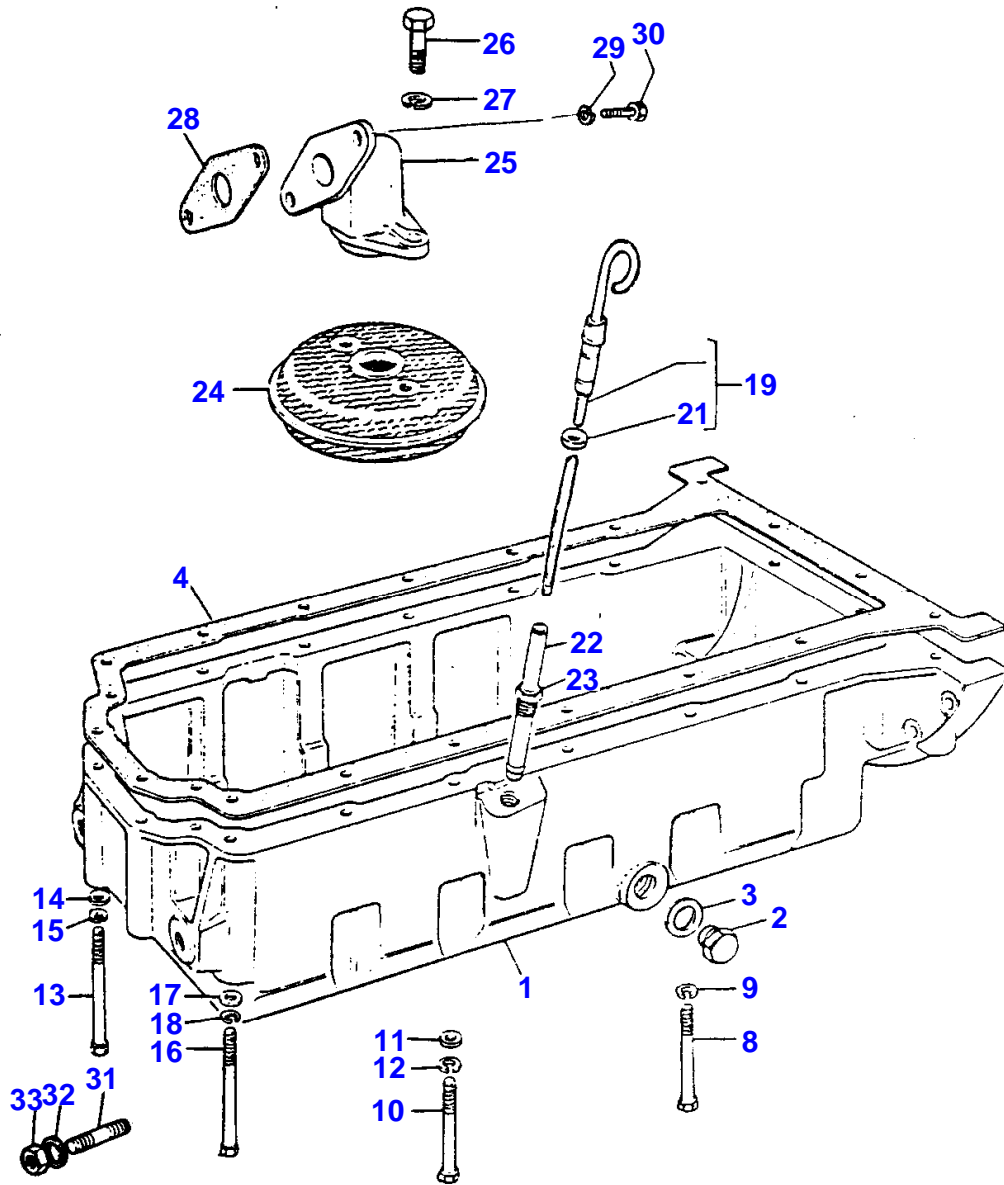


ROCKER ARM - A4.236

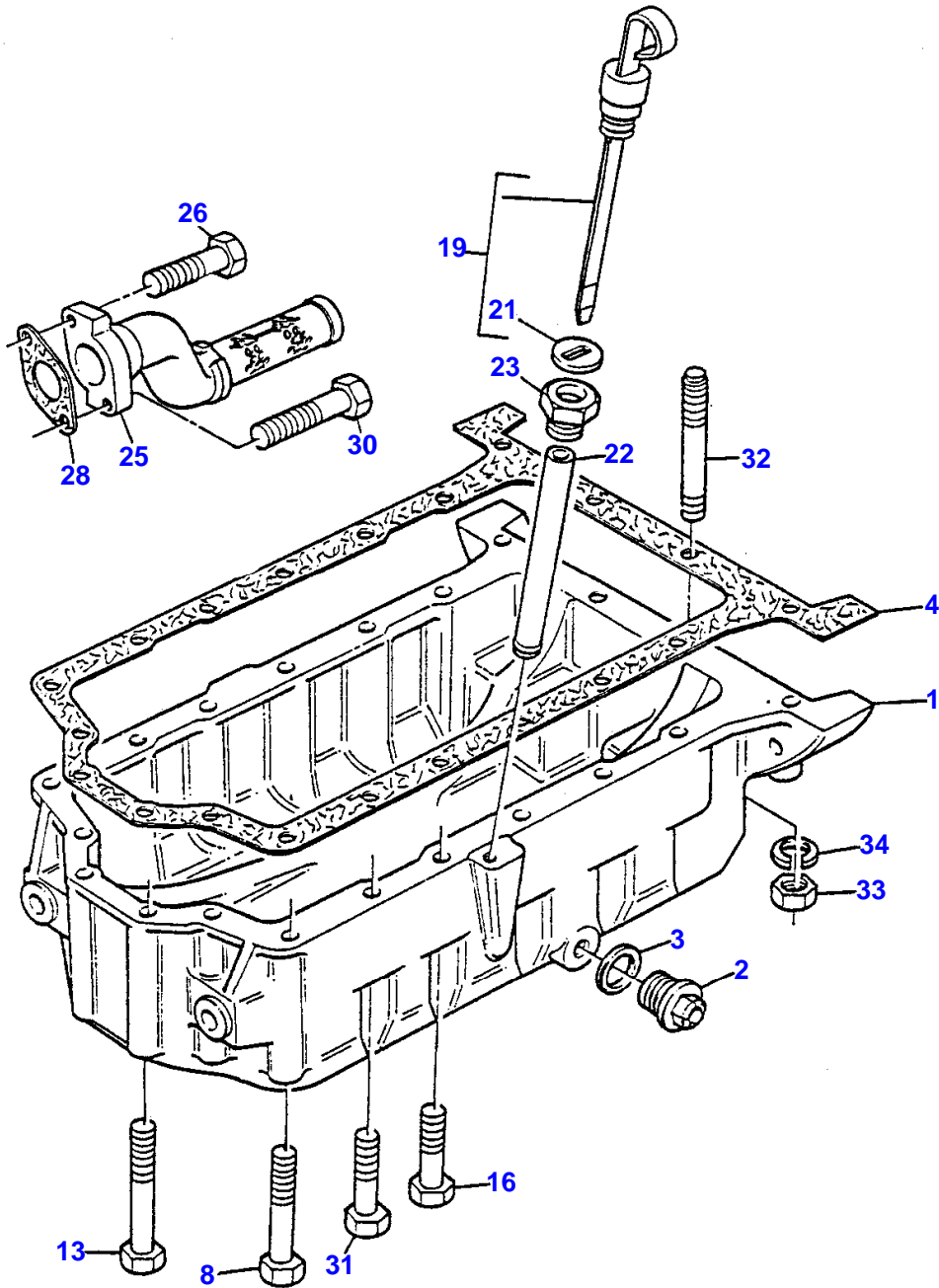
Item	Part Number	Qty	Description	Comments
				A4.236
				A4.248
1	ZZ90030	1	Rocker Shaft Ass	
2	ZZ90032	1	Rocker Shaft	1
3	0650507	2	Plug	2
4	33117434	2	Washer	1
5	0170151	2	Circlip	1
6	37521332	4	Bracket	1
7	37371271	4	Lever	Left Hand
				1
8	37371281	4	Lever	Right Hand
				1
9	31744123	2	Spring	1
10	31743108	2	Spring	1
11	3775E011	1	Connection	1
12	33811113	1	Olive	
13	2231236	1	Setscrew	1
14	0720579	8	Screw	1
15	0576052	8	Nut	1
16	31434163	8	Tappet	
17	31434307	8	Pushrod	
18	33117426	2	Shim	1
19	0096634	4	Screw	
20	0920006	4	Washer	



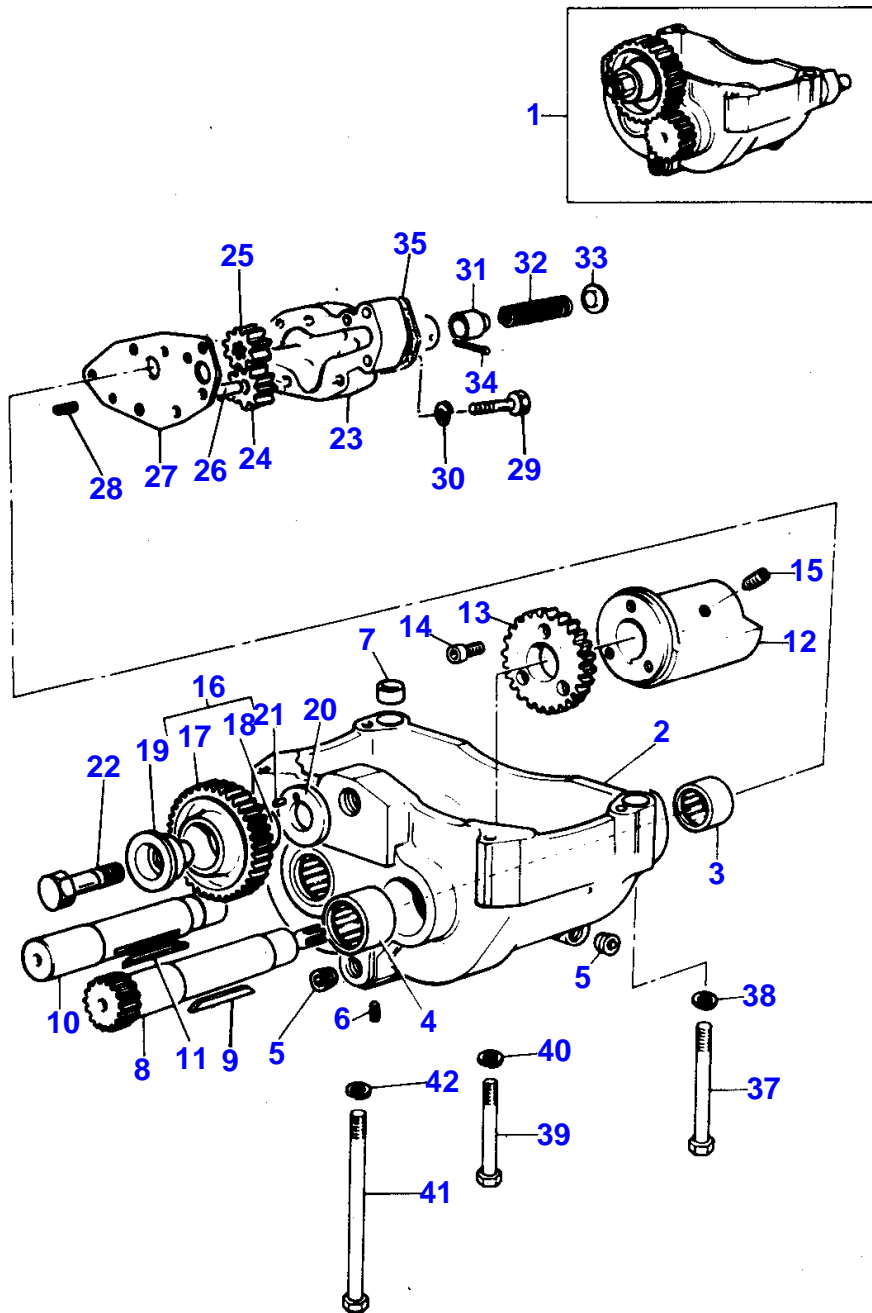
Item	Part Number	Qty	Description	Comments
				A4.236
				A4.248
1	31171681	1	Gear	Number of teeth/spines 28
2	41115023	1	Idler	Number of teeth/spines 63
3	0050345	2	Bush	2
4	33426161	1	Hub	
5	0941082	1	Plate	
6	0096439	3	Bolt	Up to Serial or Engine Number U08336N
	2184634	3	Screw	From Serial or Engine Number U08337N
8	31171353	1	Gear	Up to Serial or Engine Number U08336N
	3117L011	1	Gear	From Serial or Engine Number U08337N
9	33153128	1	Washer	
10	32161217	1	Screw	
11	33115408	1	Washer	
12	31733121	1	Washer	
13	37161642	1	Housing	
14	36814127	1	Joint	Up to Serial or Engine Number U08336N
	36814137	1	Joint	From Serial or Engine Number U08337N
15	0746211	1	Bolt	
16	2183205	8	Screw	
17	0920053	8	Washer	
18	2217104	3	Stud	
19	0920003	3	Washer	
20	0920053	3	Washer	
21	0576002	3	Nut	
22	35784119	1	Filler	Up to Serial or Engine Number
23	2487854	1	Cap	Up to Serial or Engine Number 22
24	24870001	1	Joint	Up to Serial or Engine Number 23
25	36862138	1	Joint	
26	2183204	2	Screw	Up to Serial or Engine Number
27	0920053	2	Washer	
28	37556148	1	Plate	
28A	36861429	1	Joint	
29	0748505	1	Screw	
30	2232151	2	Screw	
31	0920054	3	Washer	
32	2238153	3	Nut	
33	37166401	1	Cover	
34	2418F436	1	Seal	33
35	36813137	1	Joint	
36	2183205	14	Screw	
37	0920053	14	Washer	
38	0096238	4	Bolt	
39	2411152	4	Washer	
40	3241H004	1	Plate	
41	33825419	1	Joint	
42	2183203	4	Screw	
43	0920053	4	Washer	
44	2758346	1	Angle Drive	
45	2186106	1	Screw	
46	2183104	1	Screw	
47	0920052	1	Washer	
48	31415321	1	Camshaft	Up to Serial or Engine Number U08336N
	31415371	1	Camshaft	From Serial or Engine Number U08337N
49	0500012	1	Woodruff Key	
50	33153121	1	Washer	
51	2116053	1	Pin	
52	2183203	2	Screw	From Serial or Engine Number
53	36235118	1	Plate	From Serial or Engine Number



Item	Part Number	Qty	Description	Comments
				A4.236
				A4.248
				Up to Serial or Engine Number
1	37171825	1	Sump	
2	32186404	1	Plug	
3	2411287	1	Washer	
4	36815721	1	Joint	
8	0096241	11	Bolt	
9	0920053	11	Washer	
10	0096215	1	Screw	
11	0920003	1	Washer	
12	0920053	1	Washer	
13	2184435	4	Screw	
14	0920003	4	Washer	
15	0920053	4	Washer	
16	2184435	2	Screw	
17	0920003	2	Washer	
18	0920053	2	Washer	
19	31787437	1	Dipstick	
21	33812108	1	Washer	9
22	33435123	1	Tube	
23	33533103	1	Nut	
24	37725443	1	Strainer	
25	37738261	1	Elbow	
26	0746052	2	Bolt	
27	0920052	2	Washer	
28	36832409	1	Joint	
29	0920053	2	Washer	
30	0096237	2	Bolt	
31	974496M1	4	Bolt	
32	391414X1	6	Washer	
33	393643X1	6	Nut Metric	



Item	Part Number	Qty	Description	Comments
				A4.236
				From Serial or Engine Number
1	37171171	1	Sump	Up to Serial or Engine Number 237D00216
	37171173	1	Sump	From Serial or Engine Number 237D00217
2	32186404	1	Plug	Up to Serial or Engine Number U017781M
	32186405	1	Plug	From Serial or Engine Number U017782M
3	2411287	1	Washer	Up to Serial or Engine Number U017781M
	2415714	1	O Ring	From Serial or Engine Number U017782M
4	36815721	1	Joint	
8	2187332	11	Screw	
13	2187341	4	Screw	
16	2187340	1	Screw	
19	31787452	1	Dipstick	
21	33812108	1	Washer	19
22	33435123	1	Tube	
23	33533103	1	Nut	
25	3764E031	1	Filter	
26	2315C053	2	Screw	
28	3683L002	1	Joint	
30	2315C059	2	Screw	
31	2187341	1	Screw	
32	2217150	2	Stud	
33	0576002	2	Nut	
34	0920053	2	Washer	



Buy Now



Our support email:

ebooklibonline@outlook.com