

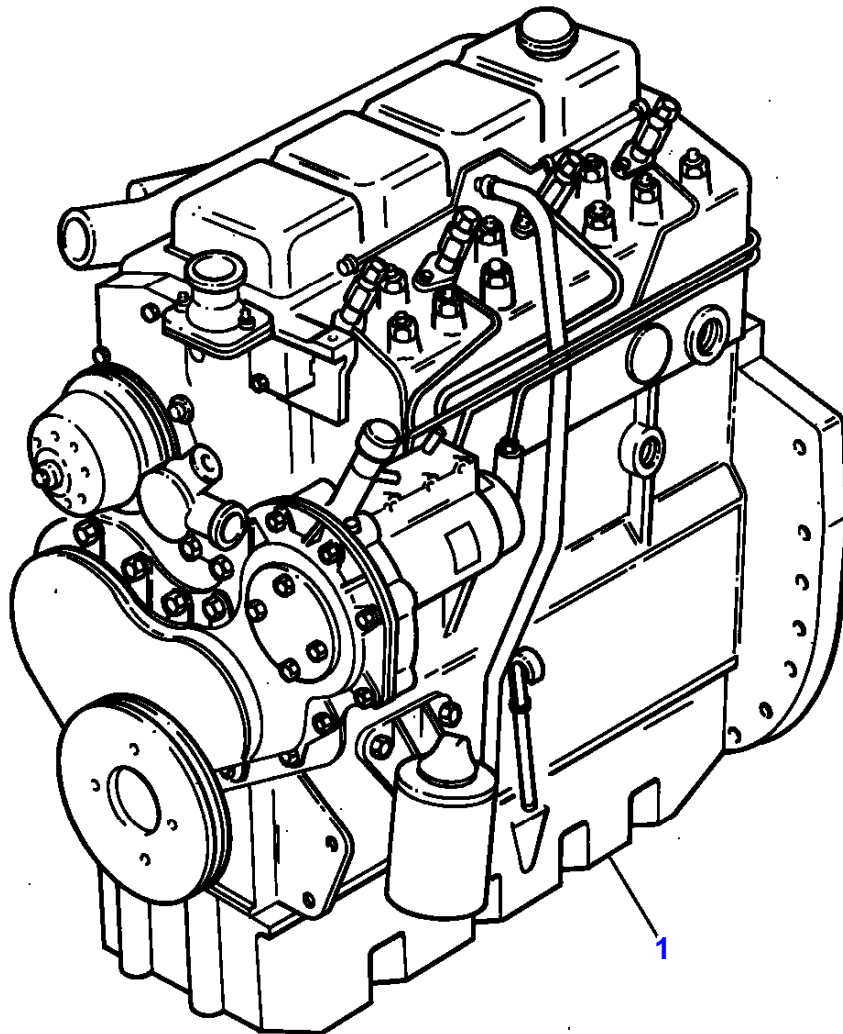
Page Title	Page Number
ENGINE - 4.236 ENGINE - FOR ENGINES BUILT TO BUILD LIST LD3 1175 ONLY	1
CYLINDER BLOCK - 4.236 ENGINE - FOR ENGINES BUILT TO BUILD LIST LD3 1175 ONLY	2
CRANKSHAFT, PISTONS AND CONNECTING RODS - 4.236 ENGINE - FOR ENGINES BUILT TO BUILD LIST LD3 1175 ONLY	3
CYLINDER HEAD - 4.236 ENGINE - FOR ENGINES BUILT TO BUILD LIST LD3 1175 ONLY	4
ROCKER SHAFT - 4.236 ENGINE - FOR ENGINES BUILT TO BUILD LIST LD3 1175 ONLY	5
TIMING GEAR AND CAMSHAFT - 4.236 ENGINE - FOR ENGINES BUILT TO BUILD LIST LD3 1175 ONLY	6
FUEL INJECTION EQUIPMENT (DIESEL) - 4.236 ENGINE - FOR ENGINES BUILT TO BUILD LIST LD3 1175 ONLY	7
BALANCER UNIT - 4.236 ENGINE - FOR ENGINES BUILT TO BUILD LIST LD3 1175 ONLY	8
LUBRICATING OIL SUMP - 4.236 ENGINE - FOR ENGINES BUILT TO BUILD LIST LD3 1175 ONLY	9
LUBRICATING OIL FILTER AND INTEGRAL COOLER - 4.236 ENGINE - FOR ENGINES BUILT TO BUILD LIST LD3 1175 ONLY	10
WATER PUMP, THERMOSTAT AND HEAT EXCHANGER - 4.236 ENGINE - FOR ENGINES BUILT TO BUILD LIST LD3 1175 ONLY	11
LOW PRESSURE FUEL SYSTEM - 4.236 ENGINE - FOR ENGINES BUILT TO BUILD LIST LD3 1175 ONLY	12
AIR INDUCTION AND EXHAUST SYSTEM - 4.236 ENGINE - FOR ENGINES BUILT TO BUILD LIST LD3 1175 ONLY	13
ALTERNATOR POSITIONER - 4.236 ENGINE - FOR ENGINES BUILT TO BUILD LIST LD3 1175 ONLY	14
JOINTS AND GASKETS - 4.236 ENGINE - FOR ENGINES BUILT TO BUILD LIST LD3 1175 ONLY	15
ALTERNATOR - VALEO TYPE	16
ALTERNATOR-LUCAS	17
ALTERNATOR-LUCAS	18
STARTER-LUCAS	19
COOLING SYSTEM-ENGINE	20
COOLING SYSTEM - RADIATOR AND BRACKET	21
FUEL SYSTEM-FUEL FILTER	22
FUEL SYSTEM-FUEL FILTER	23
FUEL SYSTEM-FUEL TANK AND ATTACHMENTS	24
AIR FILTER-OIL BATH AIR FILTER	25
EXHAUST SYSTEM-VERTICAL	26
EXHAUST SYSTEM-VERTICAL	27
THROTTLE CONTROLS	28
ELECTRICAL WIRING	29
BATTERY	30
INSTRUMENT PANEL AND INSTRUMENTS	31
SINGLE CLUTCH - P.&V. - 11	32
SINGLE CLUTCH - B.&B. - 11	33
CLUTCH-DUAL CLUTCH - LUK - 11	34
CLUTCH-DUAL CLUTCH - O.M.G. - 11	35
CLUTCH CONTROL	36
CLUTCH CONTROL	37
CLUTCH CONTROL - CLUTCH SHAFT BRAKING SISTEM	38
CENTRE AXLE HOUSING AND TRANSMISSION HOUSING	39
TRANSMISSION-GEAR TRAIN	40
TRANSMISSION-GEAR TRAIN	41
SHIFT LEVERS-12 SPEED TRANSMISSION	42
PTO SHAFT - STANDARD	43
PTO SHAFT - 540/750/1000 R.P.M.	44
REAR AXLE-HOUSING - FINAL DRIVE	45
BRAKE AND CONTROLS	46
BRAKES-HANDBRAKE	47
STEERING CLUTCH	48
TRACK ADJUSTER	49
TRACK CHAIN - TRACK CHAIN	50
SUSPENSION - FRONT - REAR	51
SUSPENSION - TRACK CARRIER	52
UPPER ROLLER - UPPER TRACK ROLLER	53
LOWER ROLLER	54
LOWER ROLLER	55
LOWER ROLLER	56
HYDRAULIC LIFT PIPINGS	57
HYDRAULIC PUMP - HYDRAULIC LIFT	58
HYDRAULIC LIFT VALVE	59
HYDRAULIC LIFT-LIFT ARMS	60
REAR CONTROLS-DRAFT AND POSITION	61
REAR CONTROLS-DRAFT AND POSITION	62
AUXILIARY HYDRAULIC VALVE LINES	63

TABLE OF CONTENT

00

AUXILIARY HYDRAULICS VALVE - STANDARD	64
AUXILIARY HYDRAULICS VALVE - FLOATING	65
HYDRAULICS EQUIPMENT-VALVE	66
LINKAGE CAT 2	67
HOOD AND GRILLE	68
SHEET METAL-PANELS - BRACKETS AND ASSEMBLING PARTS	69
DECALS	70
FENDERS AND PLATFORM	71
GUARDS - TRACK ROLLERS GUARDS	72
SAFETY FRAME	73
SEAT-SABLE - STANDARD	74
SEAT-SABLE - LUX TYPE	75
LIGHTING EQUIPMENT	76
WEIGHT FRAME AND WEIGHTS - FRONT HOOK	77
REAR HOOK-ADJUSTABLE - FOR ITALY	78
DRAWBAR	79
TOOL KIT	80

L-0011-31M-A



MASSEY FERGUSON

MF 274 CF CRAWLER - 3310805

3310805

ENGINE - 4.236 ENGINE - FOR ENGINES BUILT TO BUILD LIST LD3 1175 ONLY

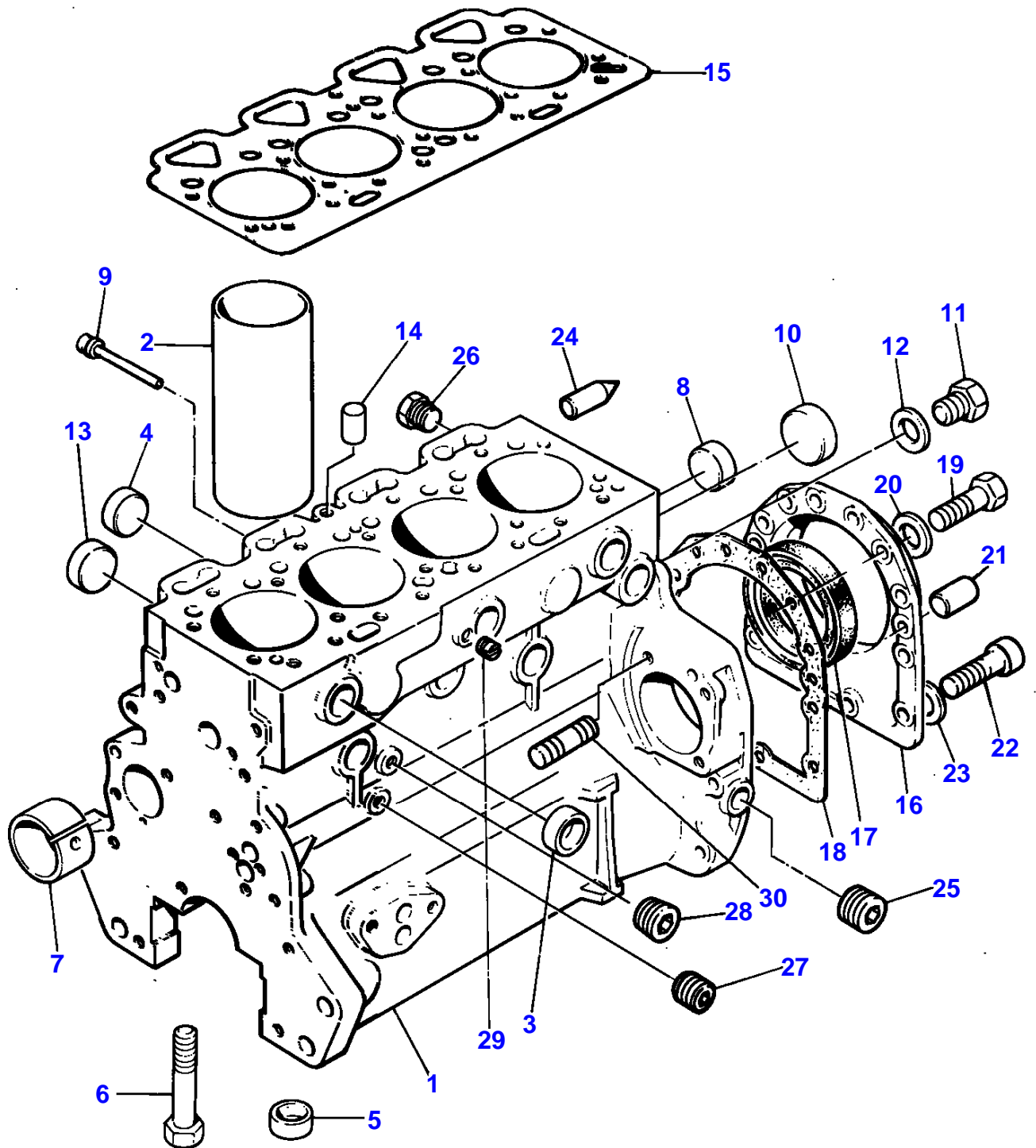
1

Item Part Number Qty Description Comments

4.236 ENGINE - FOR ENGINES BUILT TO BUILD LIST LD3 1175 ONLY

1 LD31175 X Parts Book

L-0560-40M-A

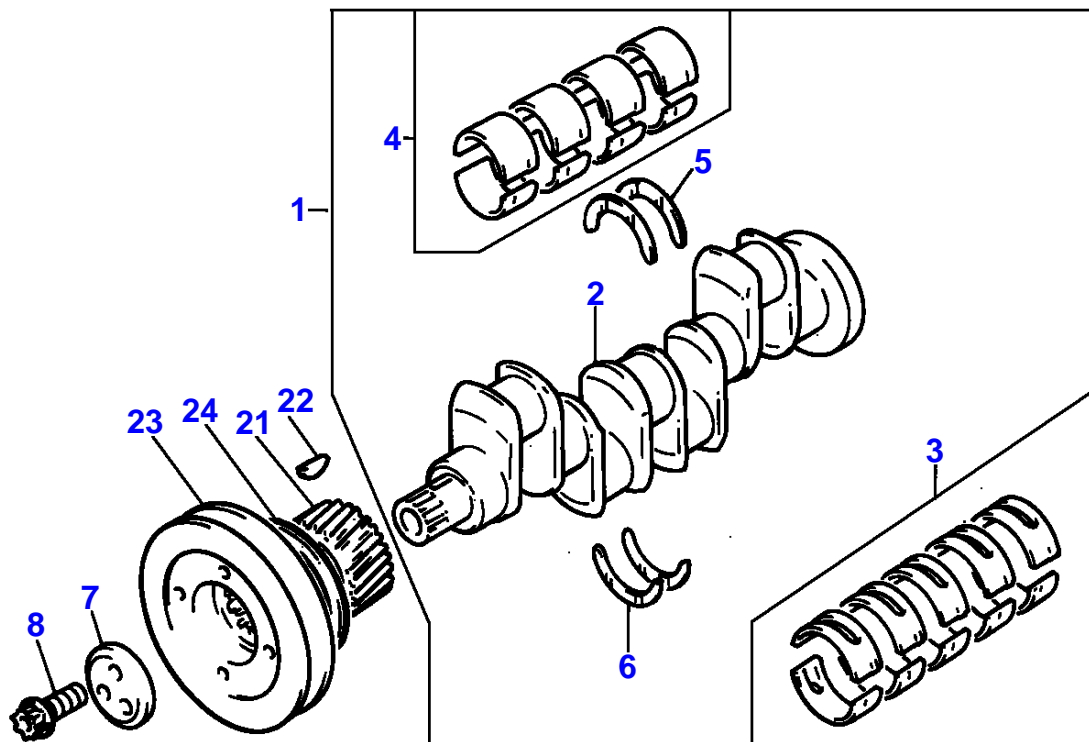
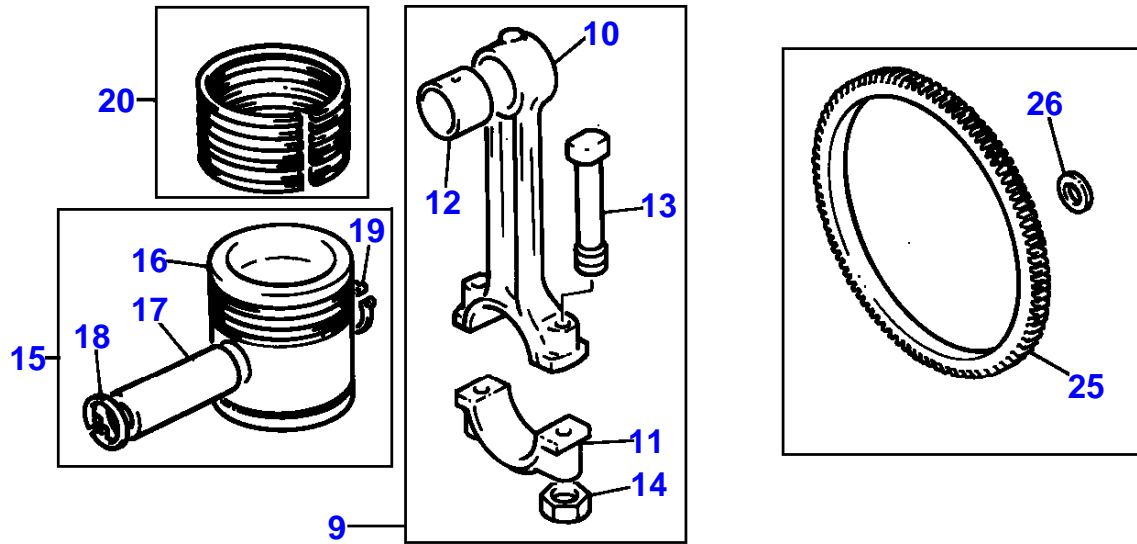


Item	Part Number	Qty	Description	Comments
				4.236 ENGINE - FOR ENGINES BUILT TO BUILD LIST LD3 1175 ONLY
1	ZZ 50145	1	Kit,Cyl.Block	Repairs and replaces ZZ50110
				Repairs and replaces ZZ50114
2	3135X031	4	Liner	(1)
				(A)
2	3135X032	X	Liner	(B)
3	0650710	6	Plug	(1)
				Repairs and replaces 0650563
4	32418117	4	Plug	(1)
				Repairs and replaces 0650618
5	33142111	10	Thimble	(1)
6	32166329	10	Bolt	(1)
7	31134164	1	Bush	(1)
				Repairs and replaces 31134163
				Repairs and replaces 31134132
8	0650710	2	Plug	(1)
				Repairs and replaces 0650563
9	2485A204	1	Plug	(1)
10	32416105	1	Plug	
11	0650582	1	Plug	
12	0920130	1	Washer	
13	0650577	4	Plug	
14	32417134	1	Plug	
15	3681E018	1	Head Gasket	Repairs and replaces 36812352
16	4142V064	1	Housing	Repairs and replaces 4142V061
17	2418F475	1	Seal	(16)
18	36817157	1	Joint	
19	0746211	10	Bolt	
20	0920003	10	Washer	
21	0350009	2	Dowel	
22	2172530	2	Capscrew	
23	33112111	2	Washer	
24	32452113	1	Pointer	
25	0650588	1	Plug	
26	32161114	2	Plug	
27	0650594	1	Plug	
28	0650588	2	Plug	
29	32114143	1	Plug	
30	0826627	3	Stud	

(A)
PRESS FIT

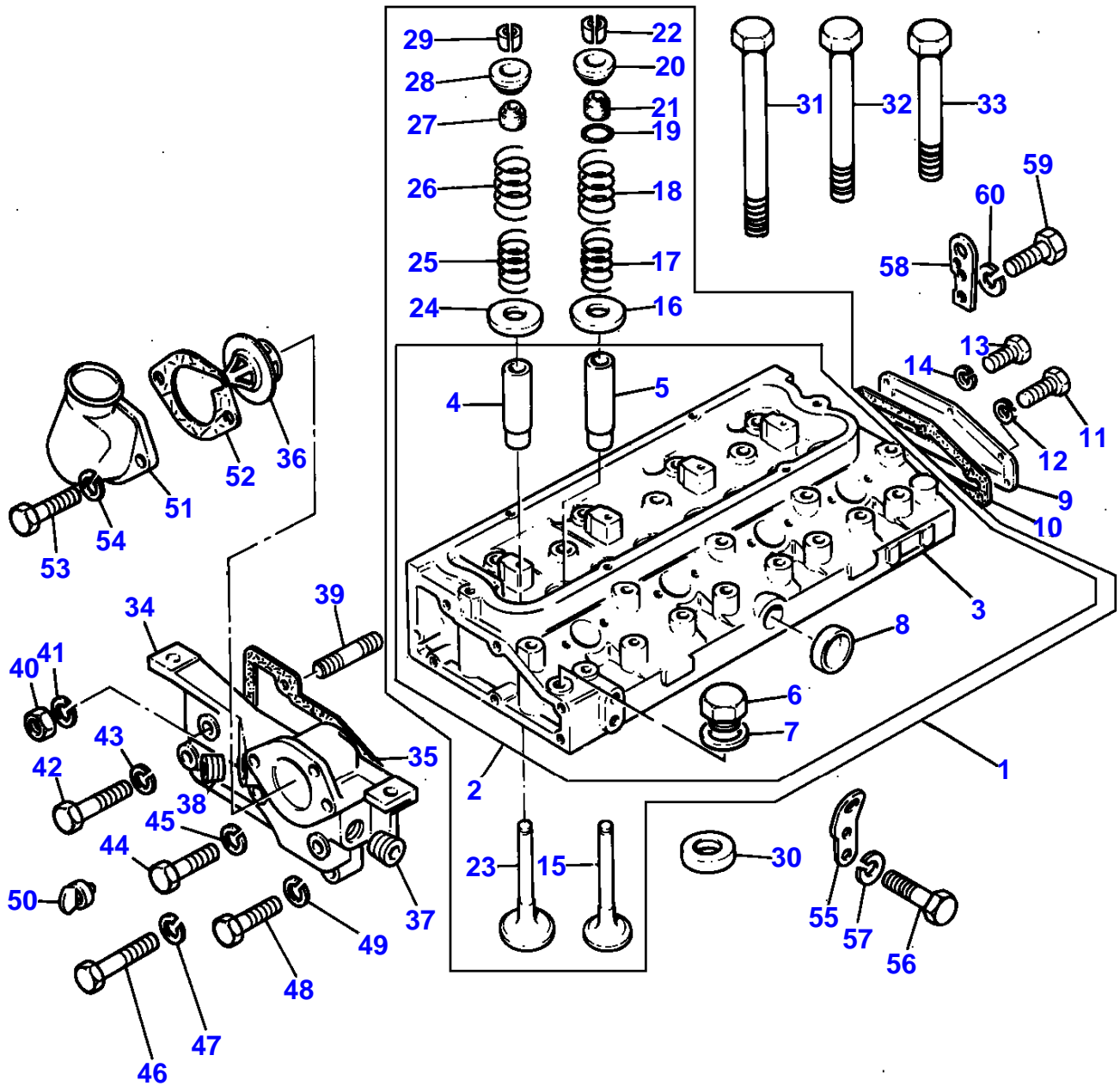
(B)
SLIP FIT

L-0563-38M-A



Item	Part Number	Qty	Description	Comments
4.236 ENGINE - FOR ENGINES BUILT TO BUILD LIST LD3 1175 ONLY				
1	ZZ 90081	1	Kit, Crankshaft	Repairs and replaces U5BG0024
2		1	Crankshaft	(1) Not serviced, order REF.1
3	81558	1	Kit, Bearing	(1) (A)
3	81558A	X	Kit, Bearing	(A) Thickness (-)0.25MM Thickness (-)0.010"
3	81558B	X	Kit, Bearing	(A) Thickness (-)0.50MM Thickness (-)0.020"
3	81558C	X	Kit, Bearing	(A) Thickness (-)0.75MM Thickness (-)0.030"
4	85042	1	Kit, Bearing	(1) (A)
4	85042A	X	Kit, Bearing	(A) Thickness (-)0.25MM Thickness (-)0.010"
4	85042B	X	Kit, Bearing	(A) Thickness (-)0.50MM Thickness (-)0.020"
4	85042C	X	Kit, Bearing	(A) Thickness (-)0.75MM Thickness (-)0.030"
5	31137551	2	Thrust Washer	(1)
	31137312	X	Thrust Washer	Thickness (+)0.19MM Thickness (+)0.0075"
6	31137561	2	Thrust Washer	(1)
	31137322	X	Thrust Washer	Thickness (+)0.19MM Thickness (+)0.0075"
7	3242T001	1	Thrust Block	Repairs and replaces 3271R001
8	32186139	3	Screw	
9	ZZ 90009	4	Kit, Conrod	
10		1	Conrod	(9) Not serviced, order REF.9
11		1	Cap	(9) Not serviced, order REF.9
12	31134123	1	Bush	(9)
13	32762144	2	Bolt	(9)
14	33221328	2	Nut	(9)
15	U5LU0025	4	Kit, Piston	(B)
	U5LP0035	4	Kit, Piston	(C)
16		1	Piston	(15) Not serviced, order REF.15
17		1	Pin	(15) Not serviced, order REF.15
18	0170002	1	Circlip	(15)
19	0170002	1	Circlip	(15)
20	41158041	4	Kit, Piston Ring	
	41158041C	X	Kit, Piston Ring	Thickness (+)0.75MM Thickness (+)0.030"
21	31171681	1	Gear,Crankshaft	Number of teeth/spines 28
22	0500012	1	Woodruff Key	
23	31148797	1	Pulley,Crank	
24	33125416	1	Washer	
25	0410236	1	Starter Ring	Number of teeth/spines 115
26	33117127	6	Washer	Repairs and replaces 33117121
				(A) PRE-FINISHED
				(B) UNTOPPED
				(C) PRE-TOPPED

L-0566-41M-A



Item	Part Number	Qty	Description	Comments
4.236 ENGINE - FOR ENGINES BUILT TO BUILD LIST LD3 1175 ONLY				
1	ZZ 80072	1	Kit, Cyl. Head	Repairs and replaces ZZ80062 Repairs and replaces ZZ80015 Repairs and replaces U5BD0001
2	ZZ 80157	1	Kit, Cyl. Head	(1) Repairs and replaces ZZ80061 Repairs and replaces ZZ80004
3		1	Cylinder Head	(2) Not serviced, order REF.2
4	3343F002	4	Guide	(2)
5	3343J002	4	Guide	(2)
6	0650203	1	Plug	(2)
7	2411157	1	Washer	(2)
8	0650710	1	Plug	(2)
9	3623K007	1	Plate	
10	3685R004	1	Joint	
11	0746452	2	Setscrew	
12	0920054	2	Washer	
13	0746255	4	Setscrew	Repairs and replaces 0746254
14	0920053	4	Washer	
15	3142A052	4	Valve Exhaust	(1)
16	33415118	4	Washer	(1)
17	31744131	4	Spring	(1)
18	31745121	4	Spring	(1)
19	2415B201	4	O Ring	(1)
20	33423147	4	Cap	(1)
21	33817117	4	Seal	(1)
22	33173108	8	Cotter	(1) (A)
23	31431315	4	Valve Inlet	(1)
24	33415118	4	Washer	(1)
25	31744131	4	Spring	(1)
26	31745121	4	Spring	(1)
27	33817117	4	Seal	(1)
28	33423147	4	Cap	(1)
29	33173108	8	Cotter	(1) (A)
30	33152153	4	Insert	
31	32166337	2	Screw	
32	32166338	12	Bolt	
33	32166339	8	Screw	
34	37762705	1	Body	Repairs and replaces 37762706
35	36853514	1	Joint	
36	2485659	1	Thermostat	
37	2431154	1	Plug	
38	2431154	1	Plug	
39	2217202	1	Stud	
40	0576051	1	Nut	
41	0920054	1	Washer	
42	0096439	1	Bolt	
43	0920053	1	Washer	
44	0746255	2	Setscrew	
45	0920054	1	Washer	
46	0096238	2	Bolt	
47	0920053	2	Washer	
48	0096434	2	Bolt	
49	0920054	2	Washer	
50	2485791	1	Pin	
51		1	Connection	(B)
52	36862151	1	Joint	
53	0096433	2	Bolt	
54	0920054	2	Washer	
55	3648C004	1	Plate	
56	0746453	2	Setscrew	
57	0920054	2	Washer	
58	36177111	1	Plate	
59	0746453	2	Setscrew	
60	0920054	2	Washer	

MASSEY FERGUSON

MF 274 CF CRAWLER - 3310805

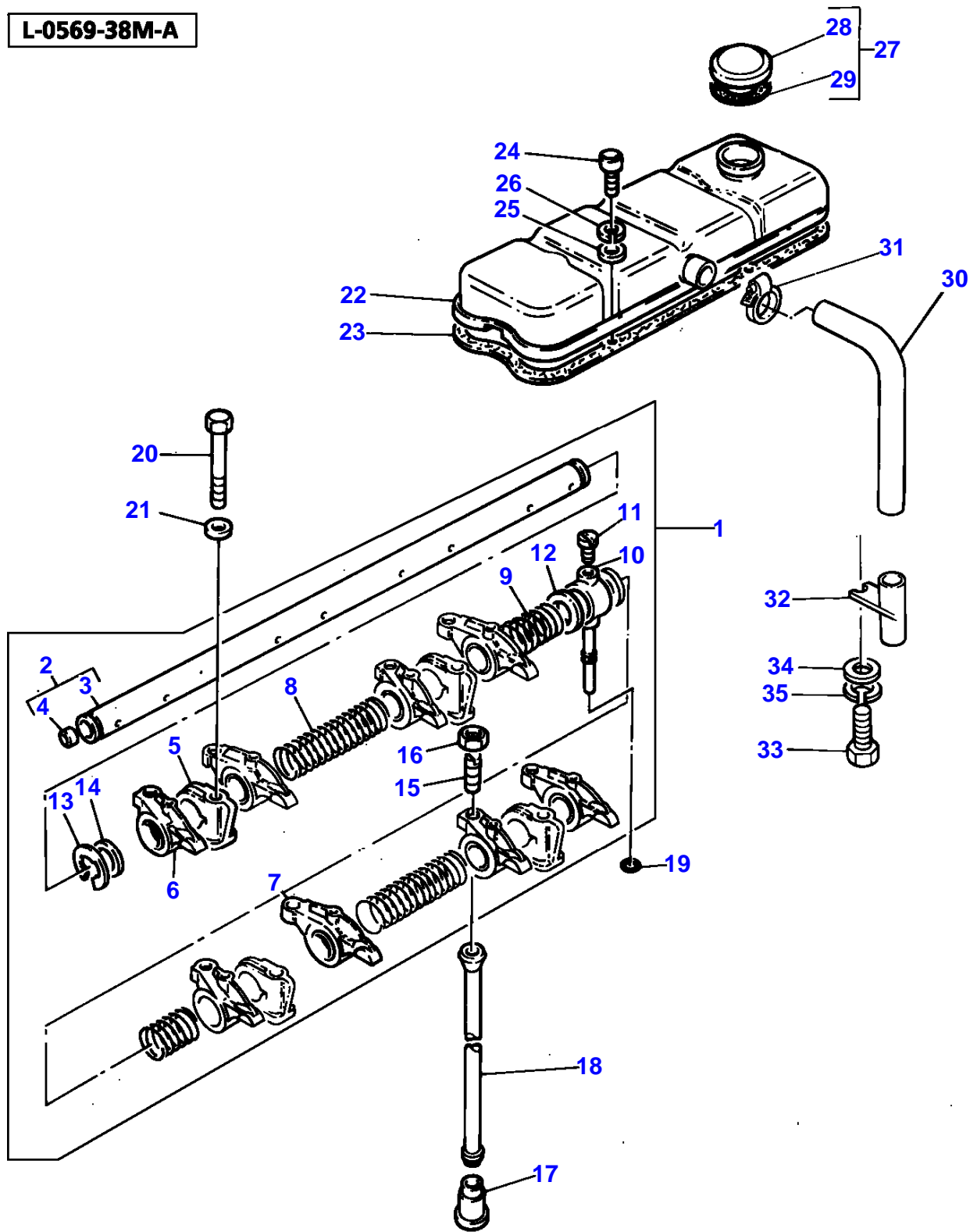
3310805

CYLINDER HEAD - 4.236 ENGINE - FOR ENGINES BUILT TO BUILD LIST LD3 1175 ONLY

4

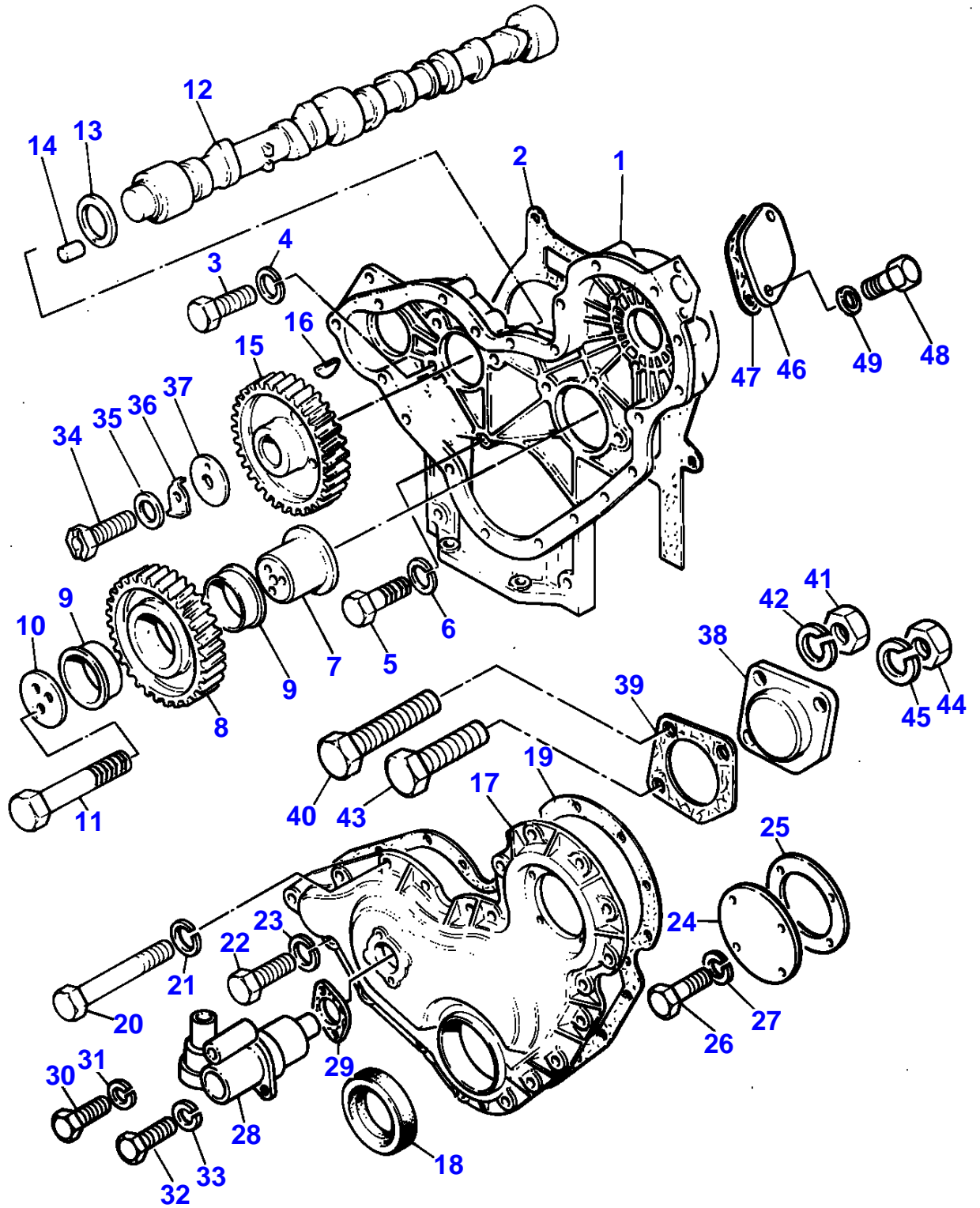
Item	Part Number	Qty	Description	Comments
				(A) SERVICED IN PAIRS
				(B) NOT SUPPLIED BY PERKINS ENGINES LIMITED.

L-0569-38M-A



Item	Part Number	Qty	Description	Comments
				4.236 ENGINE - FOR ENGINES BUILT TO BUILD LIST LD3 1175 ONLY
1	ZZ 90007	1	Rocker Shaft Ass	Repairs and replaces ZZ90030
2	ZZ 90032	1	Rocker Shaft	(1)
3		1	Shaft	(2) Not serviced, order REF.2
4	0650507	2	Plug	(2)
5	3818X901	4	Bracket	(1) Repairs and replaces 37521334
6	37371281	4	Lever	Repairs and replaces 37521332 (1) Right Hand
7	41151481	4	Rockerarm	(1) Left Hand Repairs and replaces 37371271
8	31744123	2	Spring	(1)
9	31743108	2	Spring	(1)
10	3775E011	1	Connection	(1)
11	2231236	1	Setscrew	(1)
12	33117426	2	Shim	(1)
13	0170151	2	Circlip	(1)
14	33117434	2	Washer	(1)
15	0720579	8	Screw	(1)
16	0576052	8	Nut	(1)
17	31434163	8	Tappet	
18	31434307	8	Pushrod	
19	33811113	1	Olive	
20	0096634	4	Screw	
21	0920006	4	Washer	
22	37188141	1	Cyl.Head Cover	
23	3681A026	1	Joint	Repairs and replaces 36811132
24	2172513	4	Screw	
25	0920002	4	Washer	
26	0920052	4	Washer	
27	2487845	1	Cap	
28		1	Cap	(27) Not serviced, order REF.27
29	24870002	1	Joint	(27)
30	33872516	1	Pipe,Breather	
31	21825195	1	Clip	Repairs and replaces 0180063
32	35731144	1	Pipe,Breather	
33	0096215	1	Screw	Up to Serial or Engine Number U2267087
	2187333	1	Screw	From Serial or Engine Number U2267088
34	0920003	1	Washer	(A)
35	0920053	1	Washer	(A) (A) FITTED UP TO ENGINE NUMBER U226708S

L-0572-39M-A



Buy Now



Our support email:

ebooklibonline@outlook.com