

Page Title	Page Number
ENGINE - A4.236 ENGINE- .	1
SHORT ENGINE- . - A4.236 ENGINE- .	2
CYLINDER BLOCK - A4.236 ENGINE- .	3
CRANKSHAFT, PISTONS AND CONNECTING RODS - A4.236 ENGINE- .	5
CYLINDER HEAD - A4.236 ENGINE- .	7
ROCKER SHAFT - A4.236 ENGINE- .	12
TIMING GEAR AND CAMSHAFT - A4.236 ENGINE- .	14
BALANCER UNIT - A4.236 ENGINE- .	16
FUEL INJECTION EQUIPMENT (DIESEL) - A4.236 ENGINE- .	18
LUBRICATING OIL SUMP - A4.236 ENGINE- .	20
LUBRICATING OIL FILTER AND INTEGRAL COOLER - A4.236 ENGINE- .	23
WATER PUMP, THERMOSTAT AND HEAT EXCHANGER - A4.236 ENGINE- .	24
LOW PRESSURE FUEL SYSTEM - A4.236 ENGINE- .	27
AIR INDUCTION AND EXHAUST SYSTEM - A4.236 ENGINE- .	29
ALTERNATOR POSITIONER - A4.236 ENGINE- .	30
JOINTS AND GASKETS - A4.236 ENGINE- .	31
HEATER - COLD CLIMATE	32
STAND - WITH SPACER	33
ALTERNATOR-LUCAS - LUCAS- .	34
ALTERNATOR - VALEO TYPE	36
ALTERNATOR - ISKRA TYPE- .	38
STARTER-LUCAS - UP TO SERIAL NUMBER R35158- .	40
STARTER MOTOR - MARELLI TYPE- .	42
STARTER MOTOR - BOSCH	44
STARTER MOTOR - ISKRA TYPE- .	45
COOLING SYSTEM-ENGINE - FAN AND HOSES	47
EXHAUST SYSTEM-HORIZONTAL	48
EXHAUST SYSTEM-VERTICAL	50
AIR FILTER-DRY - DUAL ELEMENT - DRY AIR CLEANER- .	51
FUEL SYSTEM-FUEL TANK AND ATTACHMENTS	54
FUEL SYSTEM-FUEL FILTER	56
COOLING SYSTEM - TRATTRICE- H- .	58
THROTTLE CONTROLS	63
INSTRUMENT PANEL AND INSTRUMENTS	65
INSTRUMENT PANEL AND INSTRUMENTS	69
ELECTRICAL WIRING	70
ELECTRONIC HARNESS-INSTRUMENT PANEL	75
SENSORS HARNESS	76
LIGHTING EQUIPMENT-REAR	77
ELECTRICAL WIRING-TRACTOR CAB	78
LIGHTING EQUIPMENT	79
LIGHTING EQUIPMENT	84
BATTERY	85
CLUTCH-DUAL CLUTCH - LUK - 11- .	87
CLUTCH-DUAL CLUTCH - O.M.G. - 11- .	89
CLUTCH PEDAL AND LINKAGE	91
CENTRE AXLE HOUSING AND TRANSMISSION HOUSING	94
CENTRE AXLE HOUSING AND TRANSMISSION HOUSING	95
12 SPEED TRANSMISSION - STANDARD VERSION	97
12 SPEED TRANSMISSION - STANDARD VERSION	100
SHIFT LEVERS-12 SPEED TRANSMISSION	103
SHIFT LEVERS-12 SPEED TRANSMISSION	105
GEAR BOX - FOR SHUTTLE VERSION ONLY.	107
REDUCER - FOR SHUTTLE VERSION ONLY.	108
REDUCER CONTROL - OVERDRIVE AND SHUTTLE VERSION	111
REDUCER - OVERDRIVE AND SHUTTLE VERSION	113
REDUCER CONTROL - OVERDRIVE AND UNDERDRIVE VERSION	117
REDUCER - OVERDRIVE AND UNDERDRIVE VERSION	119
REDUCER CONTROL - OVERDRIVE AND CREEPER VERSION	123
REDUCER - OVERDRIVE AND CREEPER VERSION	125
REDUCER CONTROL - UNDERDRIVE AND SHUTTLE VERSION	128
REDUCER - UNDERDRIVE AND SHUTTLE VERSION	129
REDUCER CONTROL - UNDERDRIVE E CREEPER VERSION	133
REDUCER - UNDERDRIVE E CREEPER VERSION	134
REDUCER CONTROL - SHUTTLE AND CREEPER VERSION	137
REDUCER - SHUTTLE AND CREEPER VERSION	138

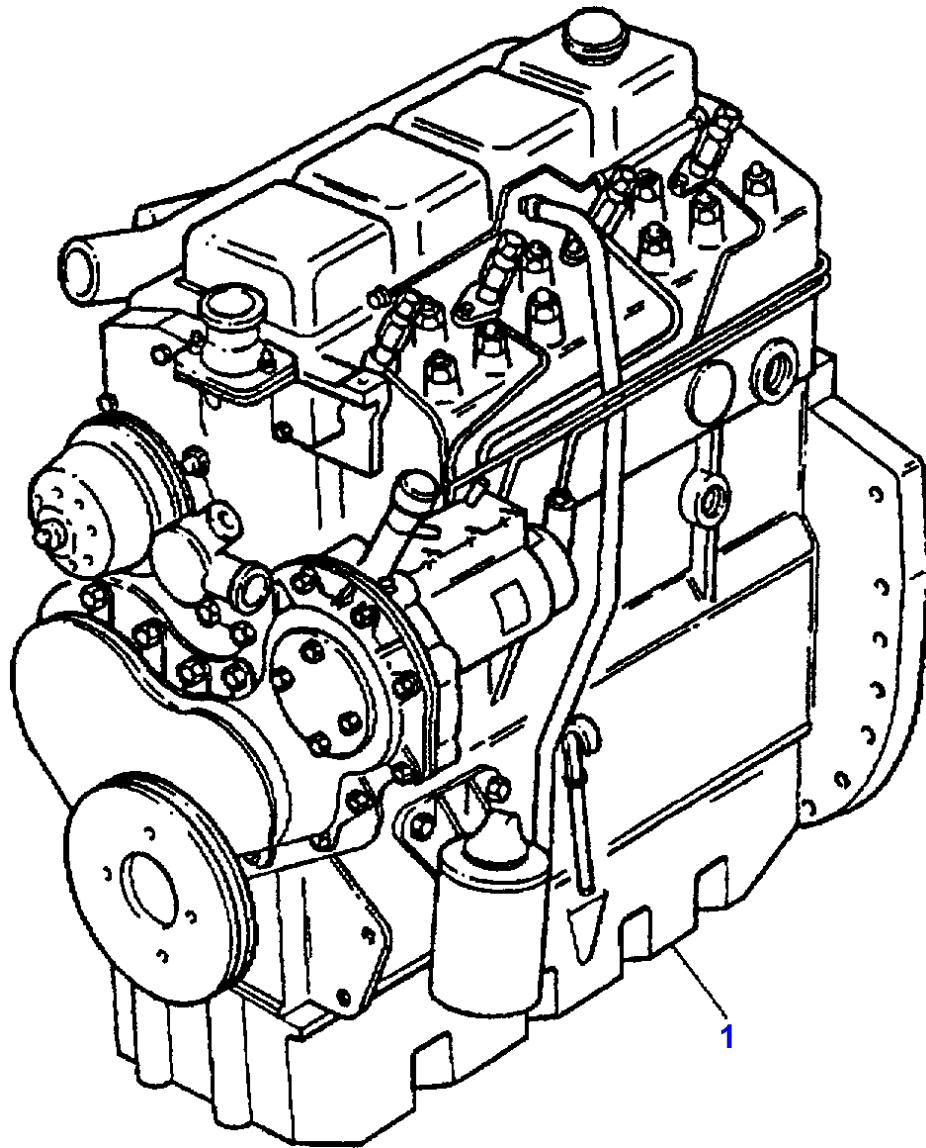
TABLE OF CONTENT

PTO SHAFT - 540 R.P.M.- .	141
PTO SHAFT - 540 R.P.M.- .	143
PTO SHAFT - 540/750/1000 R.P.M.- .	145
PTO SHAFT - 540/750/1000 R.P.M.- .	148
PTO-CONTROL - 540 R.P.M.- .	150
PTO-CONTROL - 540/750/1000 R.P.M.- .	151
TRANSFER GEAR BOX-4 WHEEL DRIVE	153
4 WHEEL DRIVE CONTROLS	155
REAR AXLE-DIFFERENTIAL	156
REAR AXLE-HOUSING	158
REAR AXLE-DIFFERENTIAL LOCK MECHANISM - MECHANICAL CONTROL- .	161
BRAKE AND CONTROLS	162
BRAKE AND CONTROLS	164
BRAKES-HANDBRAKE	166
BRAKE CYLINDER	168
BRAKES-MASTER CYLINDER	170
REAR WHEELS	171
FRONT WHEELS	174
FRONT AXLE 2 WHEEL DRIVE-AXLE SUPPORT	177
FRONT AXLE 4 WHEEL DRIVE-DIFFERENTIAL	180
FRONT AXLE 4 WHEEL DRIVE-DIFFERENTIAL	183
FRONT AXLE 4 WHEEL DRIVE-FINAL DRIVE	185
FRONT AXLE 4 WHEEL DRIVE-DIFFERENTIAL	187
FRONT AXLE 4 WHEEL DRIVE-DIFFERENTIAL	190
FRONT AXLE 4 WHEEL DRIVE-FINAL DRIVE	193
STEERING ORBITROL UNIT - 2 WHEEL DRIVE	196
STEERING ORBITROL UNIT - 4 WHEELS DRIVE	198
STEERING HYDRAULIC LINES	200
STEERING HYDRAULIC LINES	203
STEERING CYLINDER-4 WHEEL DRIVE	206
STEERING CYLINDER-4 WHEEL DRIVE	207
STEERING CYLINDER-2 WHEEL DRIVE	208
STEERING-STEERING PUMP - UP TO SERIAL NUMBER R31000- .	210
STEERING-STEERING PUMP - FROM SERIAL NO- R31001.	211
HYDRAULIC LIFT PIPINGS - STANDARD VERSION	212
HYDRAULIC LIFT PIPINGS	215
HYDRAULIC LIFT PIPINGS - SINGLE HYDRAULIC LINES	218
HYDRAULIC PUMP - BOSCH	220
HYDRAULIC PUMP - TUROLLA	221
HYDRAULIC PUMP - BOSCH	222
HYDRAULIC PUMP - TUROLLA	224
HYDRAULIC LIFT VALVE	225
HYDRAULIC LIFT-LIFT ARMS	227
HYDRAULIC LIFT-LIFT ARMS	229
REAR CONTROLS-DRAFT AND POSITION	231
REAR CONTROLS-DRAFT AND POSITION	234
HYDRAULIC LIFT CYLINDER - HYDRAULIC LIFT CYLINDER,WITH 1'AND 2'AUXIL.HYDRAUL .VAL	236
AUXILIARY HYDRAULIC VALVE LINES - TILL TYPE	238
AUXILIARY HYDRAULIC VALVE LINES - TILL TYPE	241
AUXILIARY HYDRAULIC VALVE LINES - WITH AUXILIARY HYDRAULIC VALVE CLEARANCE- .	244
AUXILIARY HYDRAULIC VALVE LINES - WITH AUXILIARY HYDRAULIC VALVE CLEARANCE- .	245
AUXILIARY HYDRAULIC VALVE LINES - WITH AUXILIARY HYDRAULIC VALVE CLEARANCE- .	246
AUXILIARY HYDRAULIC VALVE LINES - WITH AUXILIARY HYDRAULIC VALVE CLEARANCE- .	249
AUXILIARY HYDRAULICS VALVE - TILL TYPE STANDARD- .	252
AUXILIARY HYDRAULICS VALVE - TILL TYPE FLOATING- .	254
AUXILIARY HYDRAULIC VALVE LINES- HIDROIRMA - HIDROIRMA TYPE FROM SERIAL N.B08001- .	256
AUXILIARY HYDRAULIC VALVE LINES- HIDROIRMA - HIDROIRMA TYPE FROM SERIAL N.B08001- .	258
AUXILIARY HYDRAULIC VALVE LINES- HIDROIRMA - HIDROIRMA TYPE FROM SERIAL N.B08001- .	259
LINKAGETOP LINK - HIDROIRMA TYPE FROM SERIAL N.B08001- .	261
PLATFORM AUTOMATIC HITCHWITH REMOTE CONTROL - HIDROIRMA TYPE FROM SERIAL N.B08001- .	262
CONTROL VALVE-VALVE - HIDROIRMA TYPE FROM SERIAL N.B08001- .	263
ACCESSORIES HYDRAULIC - ADDITIONAL POWER OUTLET UNIT	264
LINKAGE CAT 2 - UP TP SERIAL NUMBER- .	265
LINKAGE CAT 2 - UP TP SERIAL NUMBER- .	268
LINKAGE CAT 2	271
LINKAGE CAT 2	274
LINKAGE-LINK END	277
SHEET METAL-GRILLE	278

TABLE OF CONTENT

00

SHEET METAL-HOOD	279
SHEET METAL-PANELS	281
DECALS	282
DECALS	285
DECALS	289
FENDERS - FRONT - 2WHEEL DRIVE	291
FENDERS - FRONT - 4 WHEEL DRIVE	292
FENDERS AND PLATFORM	294
SAFETY FRAME	299
ROTATING LIGHT	300
SEAT-GRAMMER	302
TRACTOR CAB-FRAME	305
TRACTOR CAB-ROOF	308
TRACTOR CAB-CAB DOOR	311
TRACTOR CAB-WINDOWS - FRONT- .	313
TRACTOR CAB-WINDOWS - REAR	315
TRACTOR CAB-CAB INSULATION	318
TRACTOR CAB-CAB INSULATION	319
TRACTOR CAB-ELECTRICAL EQUIPMENT	321
TRACTOR CAB-CAB INSULATION	322
TRACTOR CAB-AIR CONDITIONER - FROM SERIAL NO R 34153.	324
TRACTOR CAB-AIR CONDITIONER - FROM SERIAL NO R 34153.	327
TRAILER BRAKES-PIPES AND FITTINGS	328
WEIGHT FRAME AND WEIGHTS	330
REAR HOOK-ADJUSTABLE	331
DRAWBAR	332
DRAWBAR	333
REAR HOOK-ADJUSTABLE - STANDARD	334
TOOL KIT	335



MASSEY FERGUSON

MF 384 F TRACTOR, ->| 08/94 - 3311558

3311558

ENGINE - A4.236 ENGINE- .

1

Item	Part Number	Qty	Description	Comments
				A4.236 ENGINE- .
1	3553122M91	1	Engine	Repairs and replaces LD31200

Thank you so much for reading.  
Please click the “Buy Now!”  
button below to download the  
complete manual.



After you pay.

You can download the most  
perfect and complete manual in  
the world immediately.

Our support email:

[ebooklibonline@outlook.com](mailto:ebooklibonline@outlook.com)