

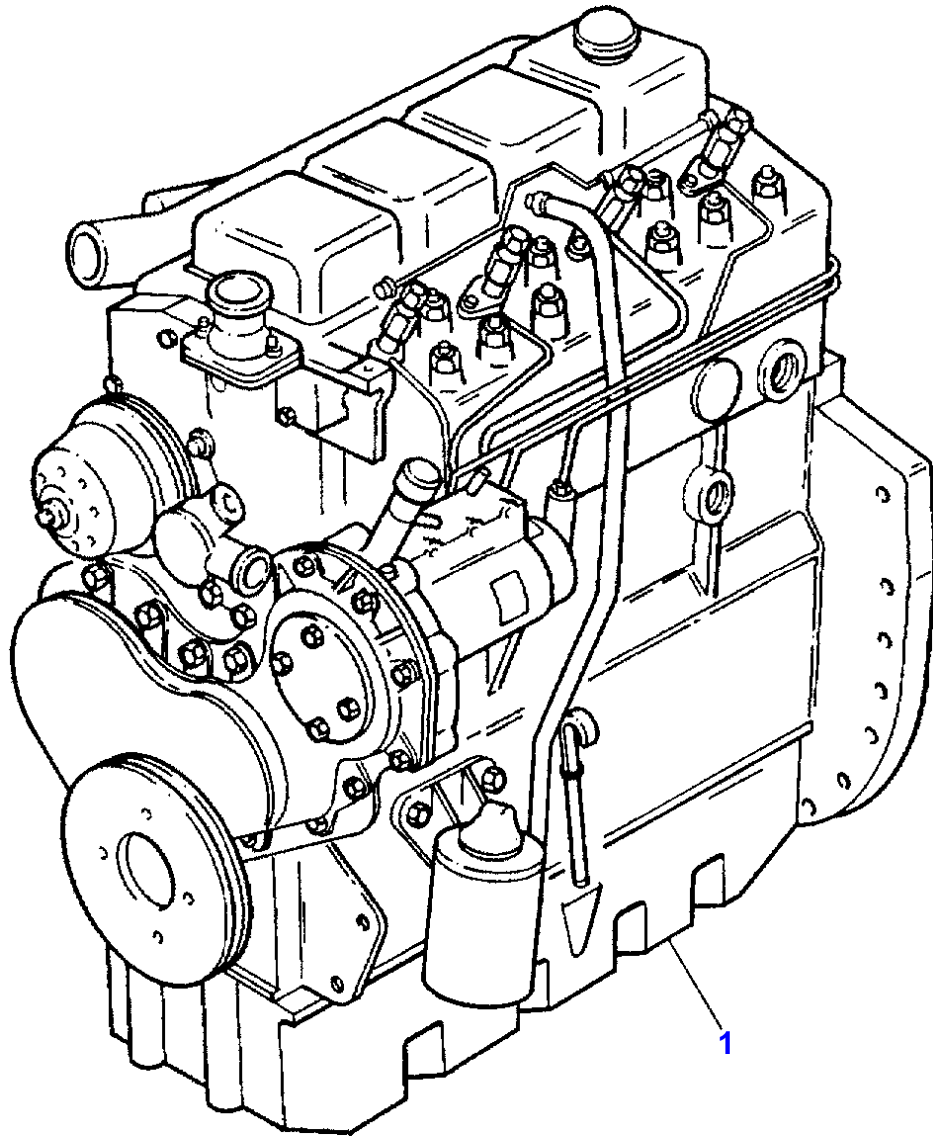
Page Title	Page Number
ENGINE - A4.248 ENGINE	1
SHORT ENGINE- . - TABLE PK ACEL9308- .	2
CYLINDER BLOCK - A4.248 ENGINE	3
CRANKSHAFT, PISTONS AND CONNECTING RODS - A4.248 ENGINE	5
CYLINDER HEAD - A4.248 ENGINE	7
ROCKER SHAFT - A4.248 ENGINE	10
TIMING GEAR AND CAMSHAFT - A4.248 ENGINE	12
BALANCER UNIT - A4.248 ENGINE	14
FUEL INJECTION EQUIPMENT (DIESEL) - A4.248 ENGINE	16
LUBRICATING OIL SUMP - A4.248 ENGINE	18
LUBRICATING OIL FILTER AND INTEGRAL COOLER - A4.248 ENGINE	20
WATER PUMP, THERMOSTAT AND HEAT EXCHANGER - A4.248 ENGINE	21
LOW PRESSURE FUEL SYSTEM - A4.248 ENGINE	23
AIR INDUCTION AND EXHAUST SYSTEM - A4.248 ENGINE	25
ALTERNATOR POSITIONER - A4.248 ENGINE	26
JOINTS AND GASKETS - A4.248 ENGINE	27
HEATER - COLD CLIMATE	28
STAND - WITH SPACER	29
ALTERNATOR-LUCAS - LUCAS- .	30
ALTERNATOR - VALEO TYPE	32
ALTERNATOR - ISKRA TYPE- .	34
STARTER-LUCAS - UP TO SERIAL NUMBER R35158- .	36
STARTER MOTOR - MARELLI TYPE- .	38
STARTER MOTOR - BOSCH	40
STARTER MOTOR - ISKRA TYPE- .	41
COOLING SYSTEM-ENGINE - FAN AND HOSES	43
COOLING SYSTEM-ENGINE - FAN AND HOSES	44
EXHAUST SYSTEM-HORIZONTAL	45
EXHAUST SYSTEM-HORIZONTAL - TRATTRICE- H- .	47
EXHAUST SYSTEM-VERTICAL - TRATTRICE- H- .	48
EXHAUST SYSTEM-VERTICAL	49
AIR FILTER-DRY - DUAL ELEMENT - DRY AIR CLEANER- .	50
FUEL SYSTEM-FUEL TANK AND ATTACHMENTS	53
FUEL SYSTEM-FUEL FILTER	55
COOLING SYSTEM - RADIATOR AND BRACKET- .	57
THROTTLE CONTROLS	61
INSTRUMENT PANEL AND INSTRUMENTS	63
INSTRUMENT PANEL AND INSTRUMENTS - TRATTRICE- H- .	67
INSTRUMENT PANEL AND INSTRUMENTS	70
INSTRUMENT PANEL AND INSTRUMENTS - TRATTRICE- H- .	71
ELECTRICAL WIRING	72
ELECTRICAL WIRING - TRATTRICE- H- .	77
ELECTRONIC HARNESS-INSTRUMENT PANEL	81
SENSORS HARNESS	82
LIGHTING EQUIPMENT-REAR	83
ELECTRICAL WIRING-TRACTOR CAB	84
LIGHTING EQUIPMENT-REAR - TRATTRICE- H- .	85
LIGHTING EQUIPMENT-REAR - TRATTRICE- H- .	86
LIGHTING EQUIPMENT-REAR - TRATTRICE- H- .	87
LIGHTING EQUIPMENT	88
LIGHTING EQUIPMENT - TRATTRICE- H- .	93
LIGHTING EQUIPMENT	96
BATTERY	97
CLUTCH-DUAL CLUTCH - LUK - 11- .	99
CLUTCH-DUAL CLUTCH - O.M.G. - 11- .	101
CLUTCH PEDAL AND LINKAGE	103
CENTRE AXLE HOUSING AND TRANSMISSION HOUSING	106
CENTRE AXLE HOUSING AND TRANSMISSION HOUSING	107
12 SPEED TRANSMISSION - STANDARD VERSION	109
12 SPEED TRANSMISSION - STANDARD VERSION	112
SHIFT LEVERS-12 SPEED TRANSMISSION	115
SHIFT LEVERS-12 SPEED TRANSMISSION	117
GEAR BOX - FOR SHUTTLE VERSION ONLY.	119
REDUCER - FOR SHUTTLE VERSION ONLY.	120
REDUCER CONTROL - OVERDRIVE AND SHUTTLE VERSION	123
REDUCER - OVERDRIVE AND SHUTTLE VERSION	125

TABLE OF CONTENT

REDUCER CONTROL - OVERDRIVE AND UNDERDRIVE VERSION	129
REDUCER - OVERDRIVE AND UNDERDRIVE VERSION	131
REDUCER CONTROL - OVERDRIVE AND CREEPER VERSION	135
REDUCER - OVERDRIVE AND CREEPER VERSION	137
REDUCER CONTROL - UNDERDRIVE AND SHUTTLE VERSION	140
REDUCER - UNDERDRIVE AND SHUTTLE VERSION	141
REDUCER CONTROL - UNDERDRIVE E CREEPER VERSION	145
REDUCER - UNDERDRIVE E CREEPER VERSION	146
REDUCER CONTROL - SHUTTLE AND CREEPER VERSION	149
REDUCER - SHUTTLE AND CREEPER VERSION	150
PTO SHAFT - 540 R.P.M.- .	153
PTO SHAFT - 540 R.P.M.- .	155
PTO SHAFT - 540/750/1000 R.P.M.- .	157
PTO SHAFT - 540/750/1000 R.P.M.- .	160
PTO-CONTROL - 540 R.P.M.- .	162
PTO-CONTROL - 540/750/1000 R.P.M.- .	163
TRANSFER GEAR BOX-4 WHEEL DRIVE	165
4 WHEEL DRIVE CONTROLS	167
REAR AXLE-DIFFERENTIAL	168
REAR AXLE-HOUSING	170
REAR AXLE-HOUSING - TRATTRICE- H- .	173
REAR AXLE-DIFFERENTIAL LOCK MECHANISM - MECHANICAL CONTROL- .	176
BRAKE AND CONTROLS	177
BRAKE AND CONTROLS	179
BRAKES-HANDBRAKE	181
BRAKE CYLINDER	183
BRAKES-MASTER CYLINDER	185
REAR WHEELS	186
FRONT WHEELS	189
FRONT WHEELS - TRATTRICE- H- .	192
FRONT AXLE 2 WHEEL DRIVE-AXLE SUPPORT	193
FRONT AXLE 4 WHEEL DRIVE-DIFFERENTIAL	196
FRONT AXLE 4 WHEEL DRIVE-DIFFERENTIAL	199
FRONT AXLE 4 WHEEL DRIVE-FINAL DRIVE	201
FRONT AXLE 4 WHEEL DRIVE-DIFFERENTIAL	203
FRONT AXLE 4 WHEEL DRIVE-DIFFERENTIAL	206
FRONT AXLE 4 WHEEL DRIVE-FINAL DRIVE	209
FRONT AXLE 4 WHEEL DRIVE-DIFFERENTIAL - TRATTRICE- H- .	212
FRONT AXLE 4 WHEEL DRIVE-DIFFERENTIAL - TRATTRICE- H- .	215
FRONT AXLE 4 WHEEL DRIVE-FINAL DRIVE - TRATTRICE- H- .	218
STEERING ORBITROL UNIT - 2 WHEE DRIVE	221
STEERING ORBITROL UNIT - 4 WHEELS DRIVE	223
STEERING HYDRAULIC LINES	225
STEERING HYDRAULIC LINES - TRATTRICE- H- .	228
STEERING HYDRAULIC LINES	230
STEERING HYDRAULIC LINES - TRATTRICE- H- .	233
STEERING CYLINDER-4 WHEEL DRIVE	235
STEERING CYLINDER-4 WHEEL DRIVE	236
STEERING CYLINDER-4 WHEEL DRIVE - TRATTRICE- H- .	237
STEERING CYLINDER-2 WHEEL DRIVE	238
STEERING-STEERING PUMP - UP TO SERIAL NUMBER R31000- .	240
STEERING-STEERING PUMP - FROM SERIAL NO- R31001.	241
HYDRAULIC LIFT PIPINGS - STANDARD VERSION	242
HYDRAULIC LIFT PIPINGS	245
HYDRAULIC LIFT PIPINGS - SINGLE HYDRAULIC LINES	248
HYDRAULIC PUMP - BOSCH	250
HYDRAULIC PUMP - TUROLLA	251
HYDRAULIC PUMP - BOSCH	252
HYDRAULIC PUMP - TUROLLA	254
HYDRAULIC LIFT VALVE	255
HYDRAULIC LIFT-LIFT ARMS	257
HYDRAULIC LIFT-LIFT ARMS	259
REAR CONTROLS-DRAFT AND POSITION	261
REAR CONTROLS-DRAFT AND POSITION	264
REAR CONTROLS-DRAFT AND POSITION - TRATTRICE- H- .	266
HYDRAULIC LIFT CYLINDER - HYDRAULIC LIFT CYLINDER,WITH 1'AND 2'AUXIL.HYDRAUL .VAL	268
HYDRAULIC LIFT CYLINDER - HYDRAULIC LIFT CYLINDER,WITH 1'AND 2'AUXIL.HYDRAUL .VAL	270
AUXILIARY HYDRAULIC VALVE LINES - TILL TYPE	272

TABLE OF CONTENT

AUXILIARY HYDRAULIC VALVE LINES - TILL TYPE	275
AUXILIARY HYDRAULIC VALVE LINES - WITH AUXILIARY HYDRAULIC VALVE CLEARANCE- .	278
AUXILIARY HYDRAULIC VALVE LINES - WITH AUXILIARY HYDRAULIC VALVE CLEARANCE- .	279
AUXILIARY HYDRAULIC VALVE LINES - WITH AUXILIARY HYDRAULIC VALVE CLEARANCE- .	280
AUXILIARY HYDRAULIC VALVE LINES - WITH AUXILIARY HYDRAULIC VALVE CLEARANCE- .	283
AUXILIARY HYDRAULICS VALVE - TILL TYPE STANDARD- .	286
AUXILIARY HYDRAULICS VALVE - TILL TYPE FLOATING- .	288
AUXILIARY HYDRAULIC VALVE LINES- HIDROIRMA - HIDROIRMA TYPE FROM SERIAL N.B08001- .	290
AUXILIARY HYDRAULIC VALVE LINES- HIDROIRMA - HIDROIRMA TYPE FROM SERIAL N.B08001- .	292
AUXILIARY HYDRAULIC VALVE LINES- HIDROIRMA - HIDROIRMA TYPE FROM SERIAL N.B08001- .	293
LINKAGETOP LINK - HIDROIRMA TYPE FROM SERIAL N.B08001- .	295
PLATFORM AUTOMATIC HITCHWITH REMOTE CONTROL - HIDROIRMA TYPE FROM SERIAL N.B08001- .	296
CONTROL VALVE-VALVE - HIDROIRMA TYPE FROM SERIAL N.B08001- .	297
ACCESSORIES HYDRAULIC - ADDITIONAL POWER OUTLET UNIT	298
LINKAGE CAT 2 - UP TP SERIAL NUMBER- .	299
LINKAGE CAT 2 - UP TP SERIAL NUMBER- .	302
LINKAGE CAT 2	305
LINKAGE CAT 2 - TRATTRICE- H- .	308
LINKAGE CAT 2	311
LINKAGE-LINK END	314
SHEET METAL-GRILLE	315
SHEET METAL-HOOD	316
SHEET METAL-PANELS	318
DECALS	319
DECALS	322
DECALS	326
FENDERS - FRONT - 2WHEEL DRIVE	328
FENDERS - FRONT - 4 WHEEL DRIVE	329
FENDERS AND PLATFORM	331
FENDERS AND PLATFORM - TRATTRICE- H- .	336
FENDERS AND PLATFORM - TRATTRICE- H- .	338
SAFETY FRAME	340
SAFETY FRAME	341
ROTATING LIGHT	342
SEAT-GRAMMER	344
TRACTOR CAB-FRAME	347
TRACTOR CAB-ROOF	350
TRACTOR CAB-CAB DOOR	353
TRACTOR CAB-WINDOWS - FRONT- .	355
TRACTOR CAB-WINDOWS - REAR	357
TRACTOR CAB-CAB INSULATION	360
TRACTOR CAB-CAB INSULATION	361
TRACTOR CAB-ELECTRICAL EQUIPMENT	363
TRACTOR CAB-CAB INSULATION	364
TRACTOR CAB-AIR CONDITIONER - FROM SERIAL NO R 34153.	366
TRACTOR CAB-AIR CONDITIONER - FROM SERIAL NO R 34153.	369
TRAILER BRAKES-PIPES AND FITTINGS	370
WEIGHT FRAME AND WEIGHTS	372
REAR HOOK-ADJUSTABLE	373
DRAWBAR	374
DRAWBAR	375
REAR HOOK-ADJUSTABLE - STANDARD	376
REAR HOOK-ADJUSTABLE - STANDARD	377
TOOL KIT	378



MASSEY FERGUSON

MF 394 F - H TRACTOR, ->| 08/94 - 3311559

3311559

ENGINE - A4.248 ENGINE

1

Item	Part Number	Qty	Description	Comments
				A4.248 ENGINE
1	3553132M91	1	Engine	Repairs and replaces LF31204

Thank you so much for reading.
Please click the “Buy Now!”
button below to download the
complete manual.



After you pay.

You can download the most
perfect and complete manual in
the world immediately.

Our support email:

ebooklibonline@outlook.com