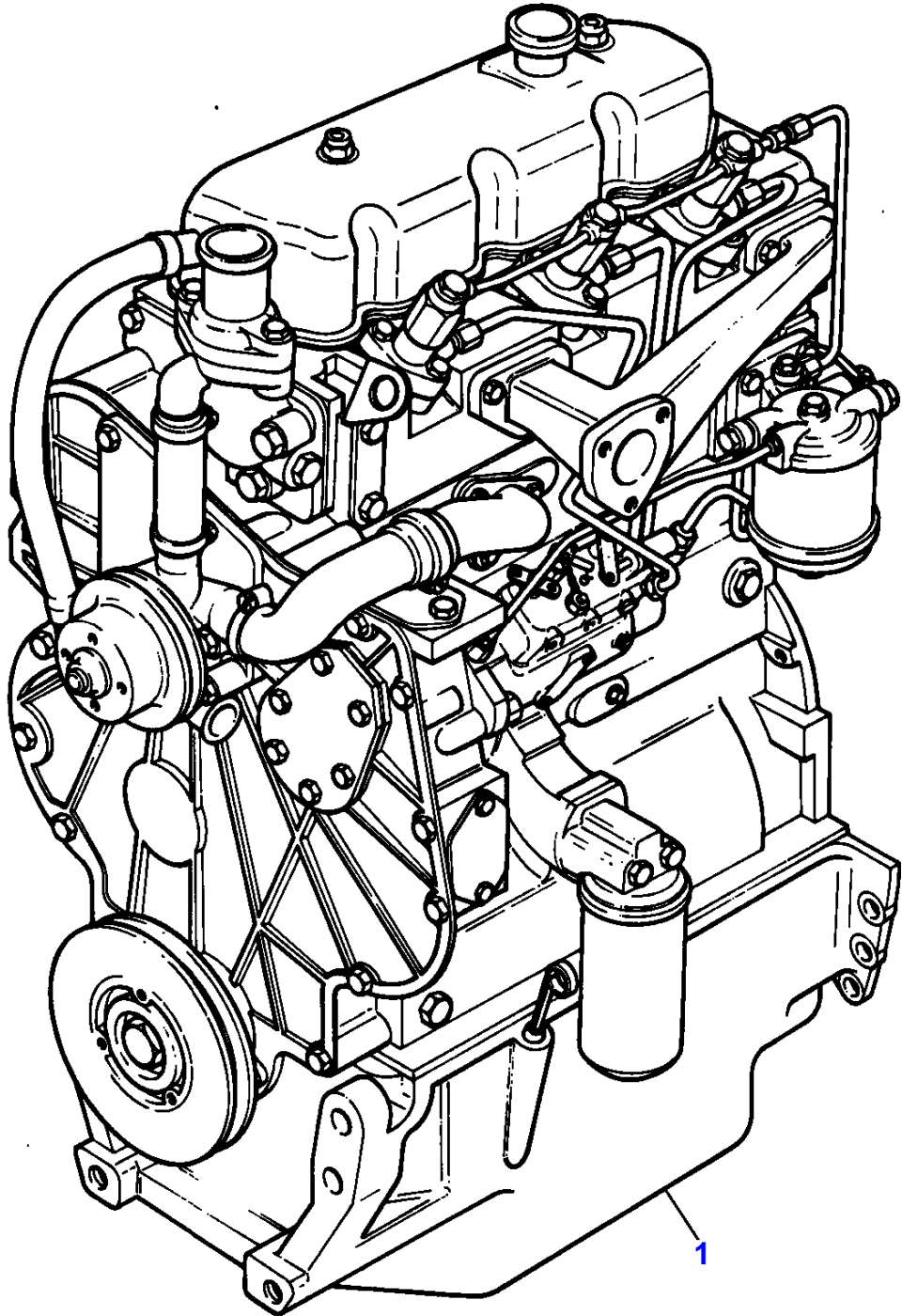


Page Title	Page Number
ENGINE - AD3.152 ENGINE	1
CYLINDER BLOCK - AD3.152 ENGINE	2
CRANKSHAFT, PISTONS AND CONNECTING RODS - AD3.152 ENGINE	3
CYLINDER HEAD - AD3.152 ENGINE	4
ROCKER SHAFT - AD3.152 ENGINE	5
TIMING GEAR AND CAMSHAFT - AD3.152 ENGINE	6
FUEL INJECTION EQUIPMENT (DIESEL) - AD3.152 ENGINE	7
LUBRICATING OIL SUMP - AD3.152 ENGINE	8
LUBRICATING OIL FILTER AND INTEGRAL COOLER - AD3.152 ENGINE	9
WATER PUMP, THERMOSTAT AND HEAT EXCHANGER - AD3.152 ENGINE	10
LOW PRESSURE FUEL SYSTEM - AD3.152 ENGINE	11
AIR INDUCTION AND EXHAUST SYSTEM - AD3.152 ENGINE	12
ALTERNATOR POSITIONER - AD3.152 ENGINE	13
JOINTS AND GASKETS - AD3.152 ENGINE	14
HEATER - COLD CLIMATE	15
ALTERNATOR - VALEO TYPE	16
ALTERNATOR-LUCAS	17
STARTER MOTOR	18
COOLING SYSTEM-ENGINE - FAN AND HOSES	19
COOLING SYSTEM - RADIATOR AND BRACKET	20
FUEL SYSTEM-FUEL FILTER	21
FUEL SYSTEM-FUEL TANK AND ATTACHMENTS - TANK STD	22
FUEL SYSTEM-FUEL TANK AND ATTACHMENTS - TANK	23
AIR FILTER-OIL BATH AIR FILTER	24
EXHAUST SYSTEM-VERTICAL	25
EXHAUST SYSTEM-HORIZONTAL	26
THROTTLE CONTROLS	27
ELECTRICAL WIRING	28
BATTERY	29
INSTRUMENT PANEL AND INSTRUMENTS	30
INSTRUMENT PANEL AND INSTRUMENTS	31
CLUTCH-DUAL CLUTCH - LUK - 11	32
CLUTCH-DUAL CLUTCH - O.M.G. - 11	33
CLUTCH PEDAL AND LINKAGE	34
CENTRE AXLE HOUSING AND TRANSMISSION HOUSING	35
12 SPEED TRANSMISSION - STANDARD VERSION	36
12 SPEED TRANSMISSION - STANDARD VERSION	37
SHIFT LEVERS-12 SPEED TRANSMISSION	38
SHIFT LEVERS-12 SPEED TRANSMISSION	39
REDUCER - OVERDRIVE AND SHUTTLE VERSION	40
REDUCER CONTROL - OVERDRIVE AND SHUTTLE VERSION	41
REDUCER - OVERDRIVE AND UNDERDRIVE VERSION	42
REDUCER CONTROL - OVERDRIVE AND UNDERDRIVE VERSION	43
REDUCER - UNDERDRIVE AND SHUTTLE VERSION	44
REDUCER CONTROL - UNDERDRIVE AND SHUTTLE VERSION	45
REDUCER - SHUTTLE AND CREEPER VERSION	46
REDUCER CONTROL - SHUTTLE AND CREEPER VERSION	47
REDUCER - OVERDRIVE AND CREEPER VERSION	48
REDUCER CONTROL - OVERDRIVE AND CREEPER VERSION	49
REDUCER - UNDERDRIVE E CREEPER VERSION	50
REDUCER CONTROL - UNDERDRIVE E CREEPER VERSION	51
PTO SHAFT - STANDARD	52
PTO-CONTROL - STANDARD	53
PTO SHAFT - 540/750/1000 R.P.M.	54
PTO-CONTROL - 540/750/1000 R.P.M.	55
TRANSFER GEAR BOX-4 WHEEL DRIVE	56
4 WHEEL DRIVE CONTROLS	57
REAR AXLE-DIFFERENTIAL	58
REAR AXLE-HOUSING	59
REAR AXLE-DIFFERENTIAL LOCK MECHANISM - MECHANICAL CONTROL	60
BRAKE AND CONTROLS	61
BRAKE AND CONTROLS	62
BRAKES-HANDBRAKE	63
BRAKE CYLINDER	64
BRAKES-MASTER CYLINDER	65
REAR WHEELS	66

TABLE OF CONTENT

FRONT AXLE 2 WHEEL DRIVE-AXLE SUPPORT	67
FRONT AXLE 4 WHEEL DRIVE-DIFFERENTIAL	68
FRONT AXLE 4 WHEEL DRIVE-DIFFERENTIAL	69
FRONT AXLE 4 WHEEL DRIVE-FINAL DRIVE	70
STEERING HYDRAULIC LINES	71
STEERING HYDRAULIC LINES	72
STEERING ORBITROL UNIT	73
STEERING-STEERING PUMP	74
STEERING CYLINDER-2 WHEEL DRIVE	75
STEERING CYLINDER-4 WHEEL DRIVE	76
FRONT WHEELS	77
HYDRAULIC LIFT PIPINGS - STANDARD VERSION	78
HYDRAULIC LIFT PIPINGS	79
HYDRAULIC LIFT PIPINGS	80
HYDRAULIC PUMP - TUROLLA	81
HYDRAULIC PUMP - BOSCH	82
HYDRAULIC PUMP - CESSNA	83
HYDRAULIC LIFT VALVE	84
HYDRAULIC LIFT-LIFT ARMS	85
HYDRAULIC LIFT CYLINDER - AUXILIARY	86
REAR CONTROLS-DRAFT AND POSITION	87
REAR CONTROLS-DRAFT AND POSITION	88
AUXILIARY HYDRAULIC VALVE LINES - TILL TYPE	89
AUXILIARY HYDRAULICS VALVE - STANDARD	90
AUXILIARY HYDRAULICS VALVE - FLOATING	91
ACCESSORIES HYDRAULIC - ADDITIONAL POWER OUTLET UNIT	92
LINKAGE CAT 2	93
LINKAGE CAT 2	94
LINKAGE CAT 2	95
SHEET METAL-GRILLE	96
SHEET METAL-HOOD	97
SHEET METAL-PANELS	98
DECALS	99
DECALS	100
DECALS	101
FENDERS AND PLATFORM	102
FENDERS - FRONT	103
SAFETY FRAME	104
SEAT-GRAMMER	105
LIGHTING EQUIPMENT	106
WEIGHT FRAME AND WEIGHTS	107
HITCH CONNECTIONS	108
REAR HOOK-ADJUSTABLE	109
REAR HOOK-ADJUSTABLE - STANDARD	110
DRAWBAR	111
DRAWBAR	112
TOOL KIT	113

C-0011-17M-A



MASSEY FERGUSON

MF 334 V TRACTOR - 3311565

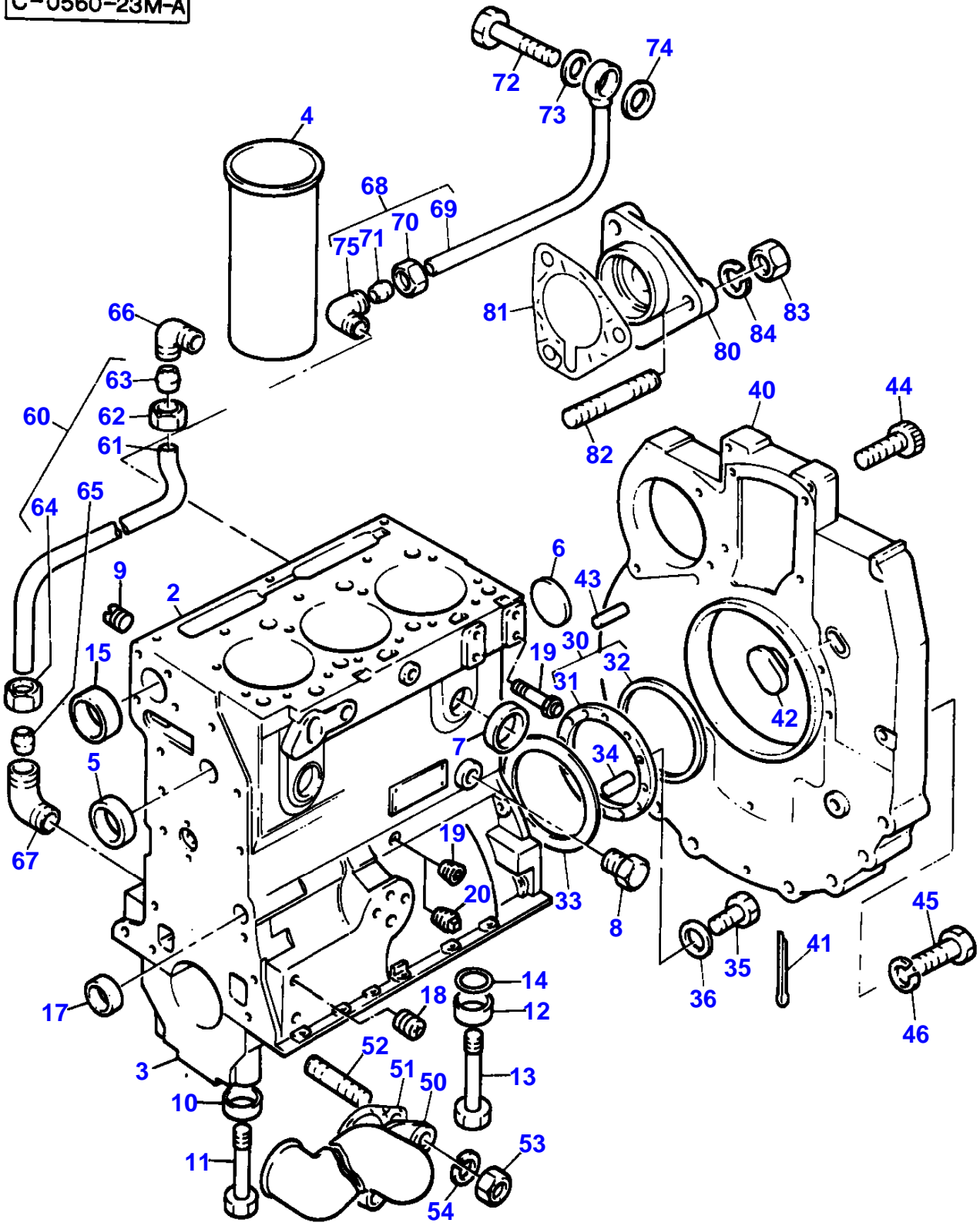
3311565

ENGINE - AD3.152 ENGINE

1

Item	Part Number	Qty	Description	Comments
				AD3.152 ENGINE
1	CE31218	X	Parts Book	(A)
	CE31213	X	Parts Book	(A)
				(A)
				FOR MF 334V AND LANDINI 4560V TRACTORS ONLY.

C-0560-23M-A



Thank you so much for reading.
Please click the “Buy Now!”
button below to download the
complete manual.



After you pay.

You can download the most
perfect and complete manual in
the world immediately.

Our support email:

ebooklibonline@outlook.com