

Page Title	Page Number
ENGINE - AD3.152 ENGINE	1
SHORT ENGINE- . - TABLE PK ACEC9106- .	2
CYLINDER BLOCK - AD3.152 ENGINE	3
CRANKSHAFT, PISTONS AND CONNECTING RODS - AD3.152 ENGINE	6
CYLINDER HEAD - AD3.152 ENGINE	9
ROCKER SHAFT - AD3.152 ENGINE	11
TIMING GEAR AND CAMSHAFT - AD3.152 ENGINE	13
FUEL INJECTION EQUIPMENT (DIESEL) - AD3.152 ENGINE	16
LUBRICATING OIL SUMP - AD3.152 ENGINE	18
LUBRICATING OIL FILTER AND INTEGRAL COOLER - AD3.152 ENGINE	21
WATER PUMP, THERMOSTAT AND HEAT EXCHANGER - AD3.152 ENGINE	22
LOW PRESSURE FUEL SYSTEM - AD3.152 ENGINE	24
AIR INDUCTION AND EXHAUST SYSTEM -	25
ALTERNATOR POSITIONER - AD3.152 ENGINE	26
JOINTS AND GASKETS - AD3.152 ENGINE	27
HEATER - COLD CLIMATE	28
ALTERNATOR - VALEO TYPE	29
ALTERNATOR-LUCAS -	31
STARTER MOTOR - UP TO SERIAL NUMBER R35158- .	33
STARTER MOTOR - FROM SERIAL NO. R35159- .	34
STARTER MOTOR - FROM SERIAL NO. S12087- .	36
COOLING SYSTEM-ENGINE - FAN AND HOSES	37
COOLING SYSTEM - RADIATOR AND BRACKET- .	38
FUEL SYSTEM-FUEL FILTER -	41
FUEL SYSTEM-FUEL TANK AND ATTACHMENTS - TANK STD	43
FUEL SYSTEM-FUEL TANK AND ATTACHMENTS - TANK	45
AIR FILTER-OIL BATH AIR FILTER -	47
EXHAUST SYSTEM-VERTICAL -	48
EXHAUST SYSTEM-HORIZONTAL -	49
THROTTLE CONTROLS -	51
INSTRUMENT PANEL AND INSTRUMENTS -	53
INSTRUMENT PANEL AND INSTRUMENTS -	57
ELECTRICAL WIRING -	58
ELECTRONIC HARNESS-INSTRUMENT PANEL -	63
SENSORS HARNESS -	64
LIGHTING EQUIPMENT-REAR -	65
ELECTRICAL WIRING-TRACTOR CAB -	66
LIGHTING EQUIPMENT -	67
LIGHTING EQUIPMENT -	72
ROTATING LIGHT -	73
BATTERY -	75
CLUTCH-DUAL CLUTCH - LUK - 11- .	76
CLUTCH-DUAL CLUTCH - O.M.G. - 11- .	79
CLUTCH-DUAL CLUTCH - O.M.G. - 11- .	81
CLUTCH-DUAL CLUTCH - LUK - 11- .	83
CLUTCH PEDAL AND LINKAGE -	85
CENTRE AXLE HOUSING AND TRANSMISSION HOUSING -	88
12 SPEED TRANSMISSION - STANDARD VERSION	90
12 SPEED TRANSMISSION - STANDARD VERSION	93
SHIFT LEVERS-12 SPEED TRANSMISSION -	96
SHIFT LEVERS-12 SPEED TRANSMISSION -	98
REDUCER - OVERDRIVE AND SHUTTLE VERSION	100
REDUCER CONTROL - OVERDRIVE AND SHUTTLE VERSION	104
REDUCER - OVERDRIVE AND UNDERDRIVE VERSION	106
REDUCER CONTROL - OVERDRIVE AND UNDERDRIVE VERSION	110
REDUCER - UNDERDRIVE AND SHUTTLE VERSION	112
REDUCER CONTROL - UNDERDRIVE AND SHUTTLE VERSION	116
REDUCER - SHUTTLE AND CREEPER VERSION	117
REDUCER CONTROL - SHUTTLE AND CREEPER VERSION	120
REDUCER - OVERDRIVE AND CREEPER VERSION	121
REDUCER CONTROL - OVERDRIVE AND CREEPER VERSION	124
REDUCER - UNDERDRIVE E CREEPER VERSION	126
REDUCER CONTROL - UNDERDRIVE E CREEPER VERSION	129
REDUCER - FOR SHUTTLE VERSION ONLY.	130
GEAR BOX - FOR SHUTTLE VERSION ONLY.	133
PTO SHAFT - 540 R.P.M.- .	134

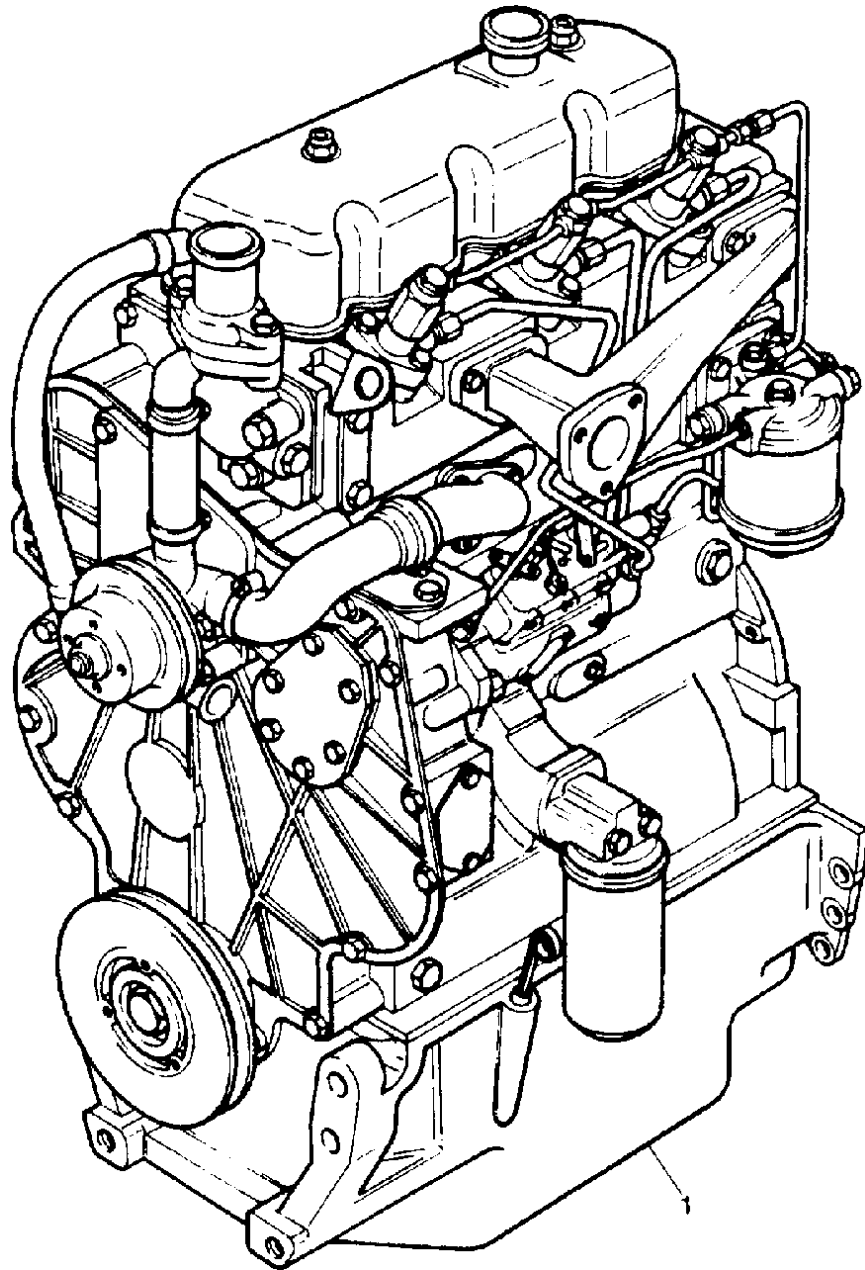
TABLE OF CONTENT

PTO SHAFT - 540 R.P.M.- .	136
PTO-CONTROL - 540 R.P.M.- .	138
PTO SHAFT - 540/750/1000 R.P.M.- .	139
PTO SHAFT - 540/750/1000 R.P.M.- .	141
PTO-CONTROL - 540/750/1000 R.P.M.- .	143
REAR AXLE-DIFFERENTIAL -	145
REAR AXLE-HOUSING -	147
REAR AXLE-DIFFERENTIAL LOCK MECHANISM - MECHANICAL CONTROL- .	149
BRAKE AND CONTROLS -	150
BRAKE AND CONTROLS -	152
BRAKES-HANDBRAKE -	154
BRAKE CYLINDER -	156
BRAKES-MASTER CYLINDER -	158
REAR WHEELS -	159
FRONT WHEELS -	162
FRONT AXLE 2 WHEEL DRIVE-AXLE SUPPORT -	165
TRANSFER GEAR BOX-4 WHEEL DRIVE -	168
4 WHEEL DRIVE CONTROLS -	170
FRONT AXLE 4 WHEEL DRIVE-DIFFERENTIAL -	171
FRONT AXLE 4 WHEEL DRIVE-DIFFERENTIAL -	173
FRONT AXLE 4 WHEEL DRIVE-FINAL DRIVE -	175
STEERING HYDRAULIC LINES -	178
STEERING HYDRAULIC LINES -	180
STEERING ORBITROL UNIT -	182
STEERING ORBITROL UNIT - 4 WHEELS DRIVE	184
STEERING-STEERING PUMP - UP TO SERIAL NUMBER- R31000	186
STEERING-STEERING PUMP - FROM SERIAL NO- R31001.	187
STEERING-STEERING PUMP - FROM SERIAL NO- R31001.	188
STEERING CYLINDER-2 WHEEL DRIVE -	189
STEERING CYLINDER-4 WHEEL DRIVE -	191
HYDRAULIC LIFT PIPINGS - STANDARD VERSION	192
HYDRAULIC LIFT PIPINGS -	194
HYDRAULIC LIFT PIPINGS -	196
HYDRAULIC PUMP - TUROLLA	198
HYDRAULIC PUMP - BOSCH	199
HYDRAULIC PUMP - CESSNA	200
HYDRAULIC LIFT VALVE -	202
HYDRAULIC LIFT-LIFT ARMS -	204
HYDRAULIC LIFT-LIFT ARMS -	206
HYDRAULIC LIFT CYLINDER - AUXILIARY	208
REAR CONTROLS-DRAFT AND POSITION -	210
REAR CONTROLS-DRAFT AND POSITION -	212
AUXILIARY HYDRAULIC VALVE LINES - TILL TYPE	215
AUXILIARY HYDRAULIC VALVE LINES -	218
AUXILIARY HYDRAULICS VALVE - TILL TYPE STANDARD- .	220
AUXILIARY HYDRAULICS VALVE - TILL TYPE FLOATING- .	222
ACCESSORIES HYDRAULIC - ADDITIONAL POWER OUTLET UNIT	224
LINKAGE CAT 2 -	225
LINKAGE CAT 2 -	228
LINKAGE CAT 2 -	230
SHEET METAL-GRILLE -	232
SHEET METAL-HOOD -	233
SHEET METAL-PANELS -	235
DECALS -	236
DECALS -	239
DECALS -	243
FENDERS AND PLATFORM -	245
FENDERS - FRONT -	251
SAFETY FRAME -	252
SEAT-GRAMMER -	253
TRACTOR CAB-FRAME -	256
TRACTOR CAB-ROOF -	259
TRACTOR CAB-CAB DOOR -	262
TRACTOR CAB-WINDOWS - FRONT- .	264
TRACTOR CAB-WINDOWS - REAR	266
TRACTOR CAB-CAB INSULATION -	269
TRACTOR CAB-CAB INSULATION -	270
TRACTOR CAB-ELECTRICAL EQUIPMENT -	272

TABLE OF CONTENT

00

TRACTOR CAB-CAB INSULATION -	273
WEIGHT FRAME AND WEIGHTS -	275
HITCH CONNECTIONS -	276
REAR HOOK-ADJUSTABLE -	277
REAR HOOK-ADJUSTABLE - STANDARD	278
DRAWBAR -	279
DRAWBAR -	280
TOOL KIT -	281



MASSEY FERGUSON

MF 354 V TRACTOR, ->| 30/06/94 - 3311567

3311567

ENGINE - AD3.152 ENGINE

1

Item	Part Number	Qty	Description	Comments
				AD3.152 ENGINE
1	CE 31223	1	Engine	(B)
	CE 31224	1	Engine	(C)
				(B)
				STD.HYDRAULIC LINES
				(C)
				SINGLE HYDRAULIC LINES

Thank you so much for reading.
Please click the “Buy Now!”
button below to download the
complete manual.



After you pay.

You can download the most
perfect and complete manual in
the world immediately.

Our support email:

ebooklibonline@outlook.com