

| Page Title | Page Number |
|---|-------------|
| ENGINE - A4.236 ENGINE- . | 1 |
| SHORT ENGINE- . - A4.236 ENGINE- . | 2 |
| CYLINDER BLOCK - A4.236 ENGINE- . | 3 |
| CRANKSHAFT, PISTONS AND CONNECTING RODS - A4.236 ENGINE- . | 5 |
| CYLINDER HEAD - A4.236 ENGINE- . | 7 |
| ROCKER SHAFT - A4.236 ENGINE- . | 12 |
| TIMING GEAR AND CAMSHAFT - A4.236 ENGINE- . | 14 |
| BALANCER UNIT - A4.236 ENGINE- . | 16 |
| FUEL INJECTION EQUIPMENT (DIESEL) - A4.236 ENGINE- . | 18 |
| LUBRICATING OIL SUMP - A4.236 ENGINE- . | 20 |
| LUBRICATING OIL FILTER AND INTEGRAL COOLER - A4.236 ENGINE- . | 23 |
| WATER PUMP, THERMOSTAT AND HEAT EXCHANGER - A4.236 ENGINE- . | 24 |
| LOW PRESSURE FUEL SYSTEM - A4.236 ENGINE- . | 27 |
| AIR INDUCTION AND EXHAUST SYSTEM - A4.236 ENGINE- . | 29 |
| ALTERNATOR POSITIONER - A4.236 ENGINE- . | 30 |
| JOINTS AND GASKETS - A4.236 ENGINE- . | 31 |
| HEATER - COLD CLIMATE | 32 |
| ALTERNATOR - VALEO TYPE | 33 |
| ALTERNATOR-LUCAS | 35 |
| STARTER-LUCAS - UP TO SERIAL NUMBER R35158- . | 37 |
| STARTER MOTOR - FROM SERIAL NO. R35159- . | 39 |
| STARTER MOTOR - FROM SERIAL NO. S12087- . | 41 |
| COOLING SYSTEM-ENGINE - FAN AND HOSES | 42 |
| COOLING SYSTEM | 43 |
| GUARDS - SHIELD FAN | 46 |
| FUEL SYSTEM-FUEL FILTER | 48 |
| FUEL SYSTEM-FUEL TANK AND ATTACHMENTS - TANK STD | 50 |
| FUEL SYSTEM-FUEL TANK AND ATTACHMENTS - TANK | 52 |
| AIR FILTER-OIL BATH AIR FILTER | 54 |
| EXHAUST SYSTEM-VERTICAL | 56 |
| EXHAUST SYSTEM-HORIZONTAL | 57 |
| THROTTLE CONTROLS | 59 |
| INSTRUMENT PANEL AND INSTRUMENTS | 61 |
| INSTRUMENT PANEL AND INSTRUMENTS | 65 |
| ELECTRICAL WIRING | 66 |
| ELECTRONIC HARNESS-INSTRUMENT PANEL | 71 |
| SENSORS HARNESS | 72 |
| LIGHTING EQUIPMENT-REAR | 73 |
| ELECTRICAL WIRING-TRACTOR CAB | 74 |
| LIGHTING EQUIPMENT | 75 |
| LIGHTING EQUIPMENT | 80 |
| ROTATING LIGHT | 81 |
| BATTERY | 83 |
| CLUTCH-DUAL CLUTCH - LUK - 11- . | 84 |
| CLUTCH-DUAL CLUTCH - O.M.G. - 11- . | 86 |
| CLUTCH PEDAL AND LINKAGE | 88 |
| CENTRE AXLE HOUSING AND TRANSMISSION HOUSING | 91 |
| 12 SPEED TRANSMISSION - STANDARD VERSION | 93 |
| 12 SPEED TRANSMISSION - STANDARD VERSION | 96 |
| SHIFT LEVERS-12 SPEED TRANSMISSION | 99 |
| SHIFT LEVERS-12 SPEED TRANSMISSION | 101 |
| REDUCER - OVERDRIVE AND SHUTTLE VERSION | 103 |
| REDUCER CONTROL - OVERDRIVE AND SHUTTLE VERSION | 107 |
| REDUCER - OVERDRIVE AND UNDERDRIVE VERSION | 109 |
| REDUCER CONTROL - OVERDRIVE AND UNDERDRIVE VERSION | 113 |
| REDUCER - UNDERDRIVE AND SHUTTLE VERSION | 115 |
| REDUCER CONTROL - UNDERDRIVE AND SHUTTLE VERSION | 119 |
| REDUCER - SHUTTLE AND CREEPER VERSION | 120 |
| REDUCER CONTROL - SHUTTLE AND CREEPER VERSION | 123 |
| REDUCER - OVERDRIVE AND CREEPER VERSION | 124 |
| REDUCER CONTROL - OVERDRIVE AND CREEPER VERSION | 127 |
| REDUCER - UNDERDRIVE E CREEPER VERSION | 129 |
| REDUCER CONTROL - UNDERDRIVE E CREEPER VERSION | 132 |
| REDUCER - FOR SHUTTLE VERSION ONLY. | 133 |
| GEAR BOX - FOR SHUTTLE VERSION ONLY. | 136 |
| PTO SHAFT - 540 R.P.M.- . | 137 |

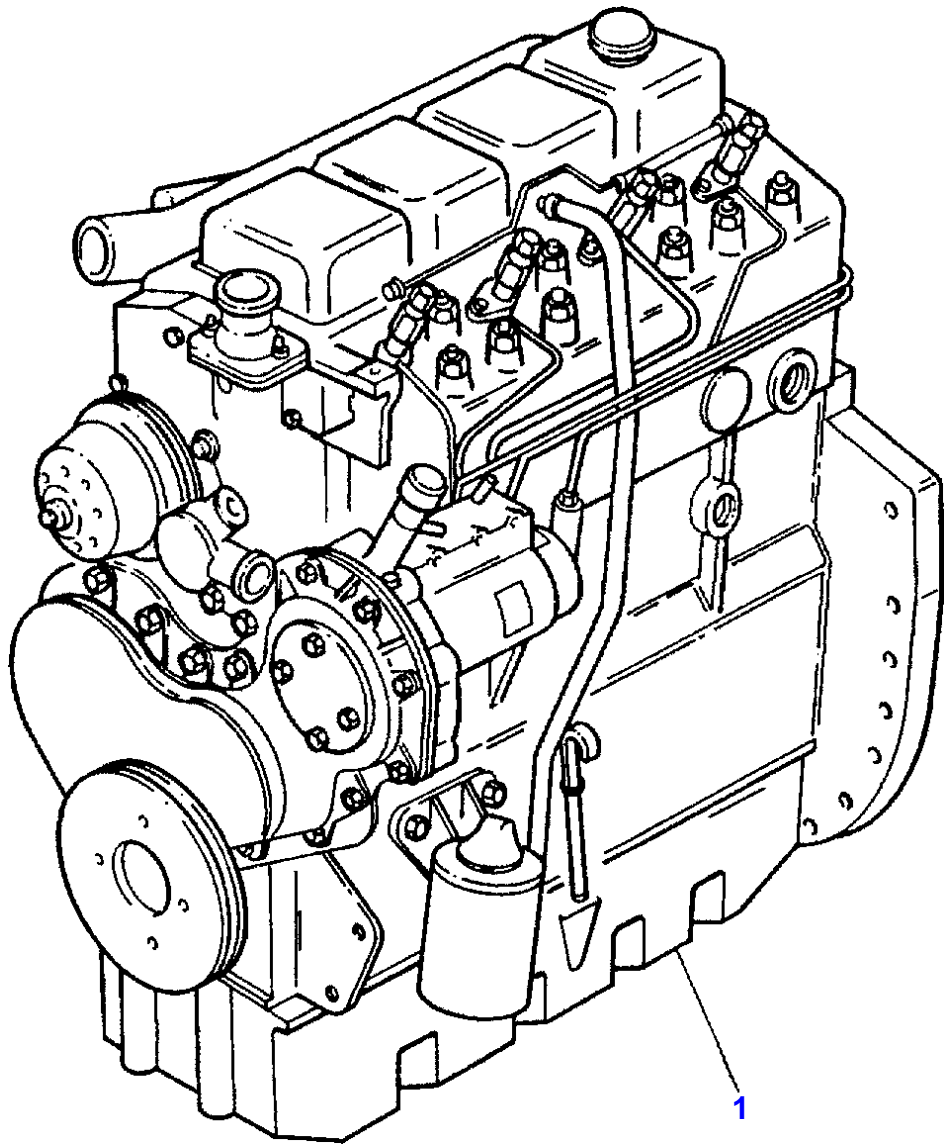
TABLE OF CONTENT

| | |
|---|-----|
| PTO SHAFT - 540 R.P.M.- . | 139 |
| PTO-CONTROL - 540 R.P.M.- . | 141 |
| PTO SHAFT - 540/750/1000 R.P.M.- . | 142 |
| PTO SHAFT - 540/750/1000 R.P.M.- . | 145 |
| PTO-CONTROL - 540/750/1000 R.P.M.- . | 147 |
| REAR AXLE-DIFFERENTIAL | 149 |
| REAR AXLE-HOUSING | 151 |
| REAR AXLE-DIFFERENTIAL LOCK MECHANISM - MECHANICAL CONTROL- . | 153 |
| BRAKE AND CONTROLS | 154 |
| BRAKE AND CONTROLS | 156 |
| BRAKES-HANDBRAKE | 158 |
| BRAKE CYLINDER | 160 |
| BRAKES-MASTER CYLINDER | 162 |
| REAR WHEELS | 163 |
| FRONT WHEELS | 166 |
| FRONT AXLE 2 WHEEL DRIVE-AXLE SUPPORT | 169 |
| TRANSFER GEAR BOX-4 WHEEL DRIVE | 172 |
| 4 WHEEL DRIVE CONTROLS | 174 |
| FRONT AXLE 4 WHEEL DRIVE-DIFFERENTIAL | 175 |
| FRONT AXLE 4 WHEEL DRIVE-DIFFERENTIAL | 177 |
| FRONT AXLE 4 WHEEL DRIVE-FINAL DRIVE | 179 |
| STEERING HYDRAULIC LINES | 182 |
| STEERING HYDRAULIC LINES | 184 |
| STEERING ORBITROL UNIT | 186 |
| STEERING ORBITROL UNIT - 4 WHEELS DRIVE | 188 |
| STEERING-STEERING PUMP - UP TO SERIAL NUMBER- R31000 | 190 |
| STEERING-STEERING PUMP - FROM SERIAL NO- R31001. | 191 |
| STEERING-STEERING PUMP - FROM SERIAL NO- R31001. | 192 |
| STEERING CYLINDER-2 WHEEL DRIVE | 193 |
| STEERING CYLINDER-4 WHEEL DRIVE | 195 |
| HYDRAULIC LIFT PIPINGS - STANDARD VERSION | 196 |
| HYDRAULIC LIFT PIPINGS | 198 |
| HYDRAULIC LIFT PIPINGS | 200 |
| HYDRAULIC PUMP - TUROLLO | 202 |
| HYDRAULIC PUMP - BOSCH | 203 |
| HYDRAULIC PUMP - BOSCH | 204 |
| HYDRAULIC PUMP - BOSCH | 206 |
| HYDRAULIC PUMP - TUROLLO | 208 |
| HYDRAULIC LIFT VALVE | 210 |
| HYDRAULIC LIFT-LIFT ARMS | 212 |
| HYDRAULIC LIFT-LIFT ARMS | 214 |
| HYDRAULIC LIFT CYLINDER - AUXILIARY | 216 |
| REAR CONTROLS-DRAFT AND POSITION | 218 |
| REAR CONTROLS-DRAFT AND POSITION | 220 |
| AUXILIARY HYDRAULIC VALVE LINES - TILL TYPE | 223 |
| AUXILIARY HYDRAULIC VALVE LINES | 226 |
| AUXILIARY HYDRAULICS VALVE - TILL TYPE STANDARD- . | 228 |
| AUXILIARY HYDRAULICS VALVE - TILL TYPE FLOATING- . | 230 |
| ACCESSORIES HYDRAULIC - ADDITIONAL POWER OUTLET UNIT | 232 |
| LINKAGE CAT 2 | 233 |
| LINKAGE CAT 2 | 236 |
| LINKAGE CAT 2 | 239 |
| SHEET METAL-GRILLE | 241 |
| SHEET METAL-HOOD | 242 |
| SHEET METAL-PANELS | 244 |
| DECALS | 245 |
| DECALS | 248 |
| DECALS | 252 |
| FENDERS AND PLATFORM | 254 |
| FENDERS - FRONT | 260 |
| SAFETY FRAME | 261 |
| SEAT-GRAMMER | 262 |
| TRACTOR CAB-FRAME | 265 |
| TRACTOR CAB-ROOF | 268 |
| TRACTOR CAB-CAB DOOR | 271 |
| TRACTOR CAB-WINDOWS - FRONT- . | 273 |
| TRACTOR CAB-WINDOWS - REAR | 275 |
| TRACTOR CAB-CAB INSULATION | 278 |

TABLE OF CONTENT

00

| | |
|----------------------------------|-----|
| TRACTOR CAB-CAB INSULATION | 279 |
| TRACTOR CAB-ELECTRICAL EQUIPMENT | 281 |
| TRACTOR CAB-CAB INSULATION | 282 |
| WEIGHT FRAME AND WEIGHTS | 284 |
| HITCH CONNECTIONS | 285 |
| REAR HOOK-ADJUSTABLE | 286 |
| REAR HOOK-ADJUSTABLE - STANDARD | 287 |
| DRAWBAR | 288 |
| DRAWBAR | 289 |
| TOOL KIT | 290 |



MASSEY FERGUSON

MF 374 V TRACTOR, ->| 09/93 - 3311568

3311568

ENGINE - A4.236 ENGINE- .

1

| Item | Part Number | Qty | Description | Comments |
|------|-------------|-----|-------------|------------------------------|
| | | | | A4.236 ENGINE- . |
| 1 | 3553131M91 | 1 | Engine | Repairs and replaces LD31202 |

Thank you so much for reading.
Please click the “Buy Now!”
button below to download the
complete manual.



After you pay.

You can download the most
perfect and complete manual in
the world immediately.

Our support email:

ebooklibonline@outlook.com