

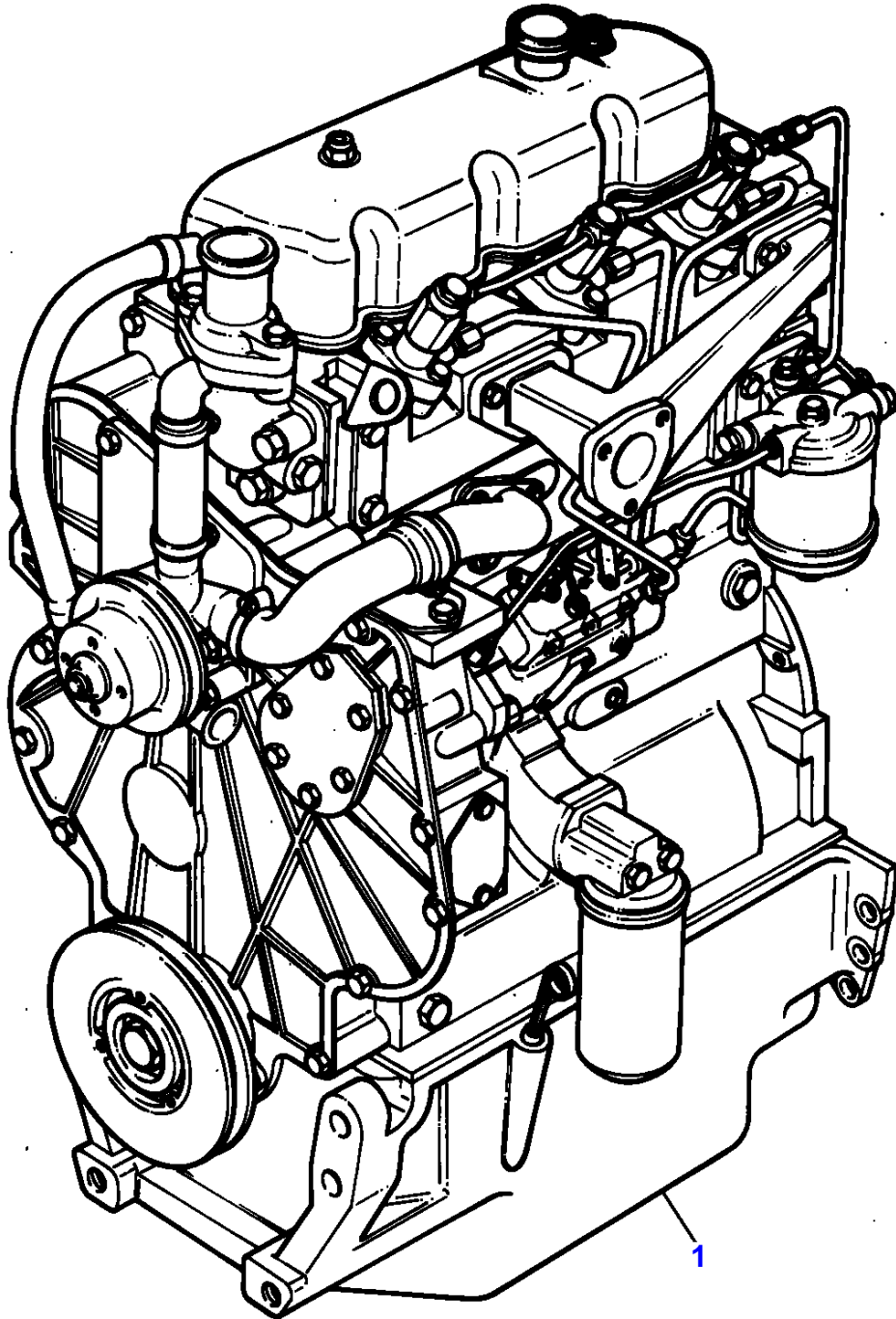
Page Title	Page Number
ENGINE - D3.152 ENGINE	1
CYLINDER BLOCK - D3.152 ENGINE	2
CRANKSHAFT, PISTONS AND CONNECTING RODS - D3.152 ENGINE	3
CYLINDER HEAD - D3.152 ENGINE	4
ROCKER SHAFT - D3.152 ENGINE	5
TIMING GEAR AND CAMSHAFT - D3.152 ENGINE	6
FUEL INJECTION EQUIPMENT (DIESEL) - D3.152 ENGINE	7
LUBRICATING OIL SUMP - D3.152 ENGINE	8
LUBRICATING OIL FILTER AND INTEGRAL COOLER - D3.152 ENGINE	9
WATER PUMP, THERMOSTAT AND HEAT EXCHANGER - D3.152 ENGINE	10
LOW PRESSURE FUEL SYSTEM - D3.152 ENGINE	11
AIR INDUCTION AND EXHAUST SYSTEM - D3.152 ENGINE	12
ALTERNATOR POSITIONER - D3.152 ENGINE	13
JOINTS AND GASKETS - D3.152 ENGINE	14
ALTERNATOR - VALEO TYPE	15
ALTERNATOR-LUCAS	16
STARTER MOTOR	17
COOLING SYSTEM-ENGINE - FAN AND HOSES	18
COOLING SYSTEM - RADIATOR AND BRACKET	19
FUEL SYSTEM-FUEL FILTER	20
FUEL SYSTEM-FUEL FILTER	21
FUEL SYSTEM-FUEL TANK AND ATTACHMENTS	22
AIR FILTER-OIL BATH AIR FILTER	23
EXHAUST SYSTEM-VERTICAL	24
EXHAUST SYSTEM-VERTICAL	25
THROTTLE CONTROLS	26
ELECTRICAL WIRING	27
BATTERY	28
INSTRUMENT PANEL AND INSTRUMENTS	29
SINGLE CLUTCH - P.&V. - 10	30
SINGLE CLUTCH - B.&B. - 10	31
CLUTCH-DUAL CLUTCH - LUK - 11	32
CLUTCH-DUAL CLUTCH - O.M.G. - 11	33
CLUTCH CONTROL	34
CLUTCH CONTROL	35
CLUTCH CONTROL - CLUTCH SHAFT BRAKING SISTEM	36
CENTRE AXLE HOUSING AND TRANSMISSION HOUSING	37
TRANSMISSION-GEAR TRAIN	38
TRANSMISSION-GEAR TRAIN	39
SHIFT LEVERS-12 SPEED TRANSMISSION	40
PTO SHAFT - STANDARD	41
PTO SHAFT - 540/750/1000 R.P.M.	42
REAR AXLE-HOUSING - FINAL DRIVE	43
BRAKE AND CONTROLS	44
BRAKES-HANDBRAKE	45
STEERING CLUTCH	46
TRACK ADJUSTER	47
TRACK CHAIN - TRACK CHAIN	48
SUSPENSION - FRONT - REAR	49
SUSPENSION - TRACK CARRIER	50
UPPER ROLLER - UPPER TRACK ROLLER	51
LOWER ROLLER	52
HYDRAULIC LIFT PIPINGS	53
HYDRAULIC PUMP - HYDRAULIC LIFT	54
HYDRAULIC LIFT VALVE	55
HYDRAULIC LIFT-LIFT ARMS	56
REAR CONTROLS-DRAFT AND POSITION	57
REAR CONTROLS-DRAFT AND POSITION	58
AUXILIARY HYDRAULIC VALVE LINES	59
AUXILIARY HYDRAULICS VALVE - STANDARD	60
AUXILIARY HYDRAULICS VALVE - FLOATING	61
HYDRAULICS EQUIPMENT-VALVE	62
LIFT HITCH - WITH THREE POINT LINKAGE CAT I	63
HOOD AND GRILLE	64
SHEET METAL-PANELS - BRACKETS AND ASSEMBLING PARTS	65
DECALS	66

TABLE OF CONTENT

00

FENDERS AND PLATFORM	67
GUARDS - TRACK ROLLERS GUARDS	68
SAFETY FRAME	69
SEAT-SABLE - STANDARD	70
SEAT-SABLE - LUX TYPE	71
LIGHTING EQUIPMENT	72
WEIGHT FRAME AND WEIGHTS - FRONT HOOK	73
REAR HOOK-ADJUSTABLE - FOR ITALY	74
DRAWBAR	75
TOOL KIT	76

C-0011-20M-A



MASSEY FERGUSON

MF 244 CF CRAWLER - 3311608

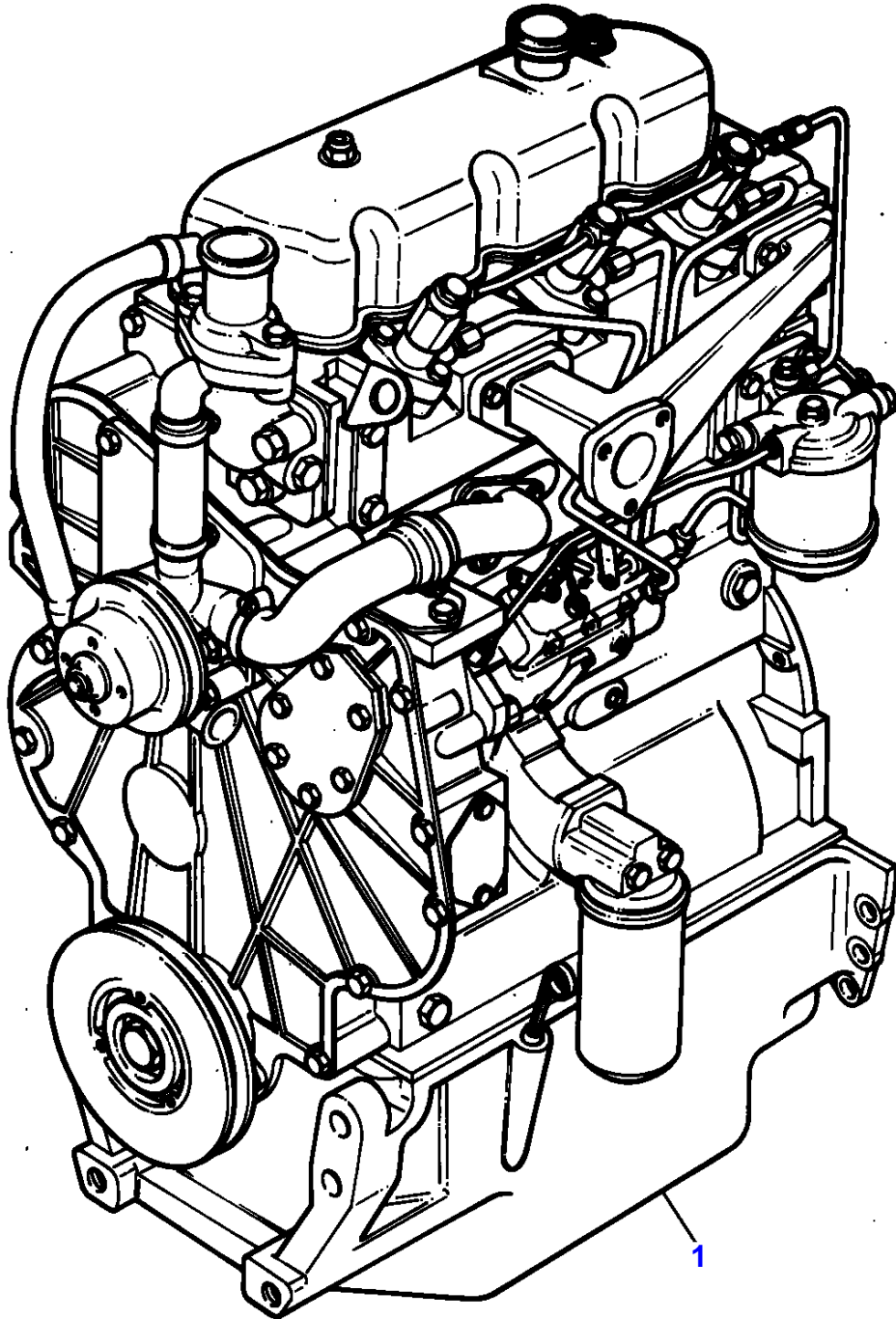
3311608

ENGINE - D3.152 ENGINE

1

Item	Part Number	Qty	Description	Comments
				D3.152 ENGINE
1	CE31168	X	Parts Book	(A)
				(A)
				FOR MF244CF AND LANDINI 5030CF TRACTORS ONLY.

C-0011-20M-A



Thank you so much for reading.
Please click the “Buy Now!”
button below to download the
complete manual.



After you pay.

You can download the most
perfect and complete manual in
the world immediately.

Our support email:

ebooklibonline@outlook.com