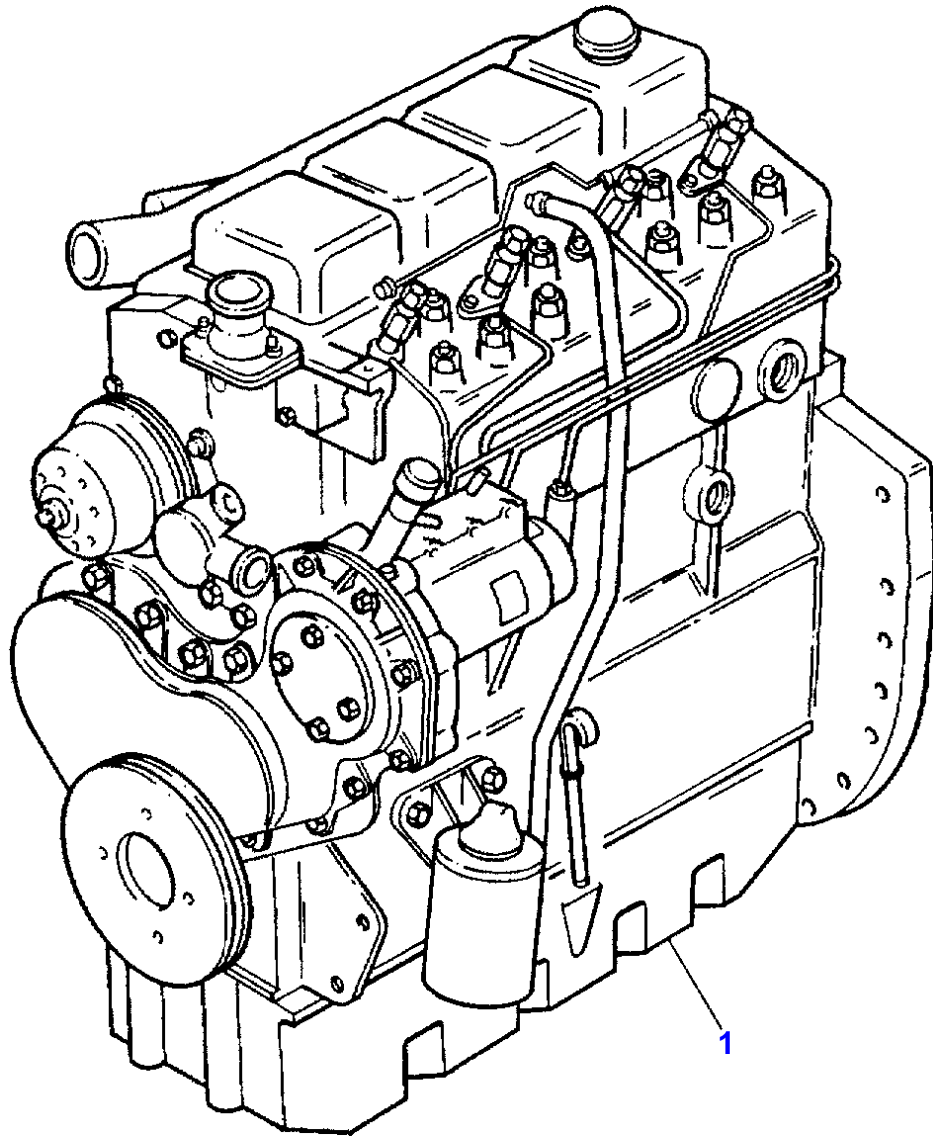


Page Title	Page Number
ENGINE ASSEMBLY-A4.248 ENGINE	1
SHORT ENGINE-TABLE PK ACEL9308	2
CYLINDER BLOCK-A4.248 ENGINE	3
CRANKSHAFT, PISTONS AND CONNECTING RODS-A4.248 ENGINE	4
CYLINDER HEAD-A4.248 ENGINE	5
ROCKER SHAFT-A4.248 ENGINE	6
TIMING GEAR AND CAMSHAFT-A4.248 ENGINE	7
BALANCER UNIT-A4.248 ENGINE	8
FUEL INJECTION EQUIPMENT-A4.248 ENGINE	9
LUBRICATING OIL SUMP-A4.248 ENGINE	10
LUBRICATING OIL FILTER AND INTEGRAL COOLER-A4.248 ENGINE	11
WATER PUMP, THERMOSTAT AND HEAT EXCHANGER-A4.248 ENGINE	12
FUEL SYSTEM AND FILTER-A4.248 ENGINE	13
AIR INDUCTION AND EXHAUST SYSTEM-A4.248 ENGINE	14
ALTERNATOR POSITIONER-A4.248 ENGINE	15
JOINTS AND GASKETS-A4.248 ENGINE	16
ALTERNATOR-LUCAS	17
ALTERNATOR-VALEO TYPE	18
ALTERNATOR-ISKRA TYPE	19
STARTER MOTOR-MARELLI	20
STARTER MOTOR-ISKRA TYPE	21
STARTER MOTOR-BOSCH	22
COOLING SYSTEM-FAN AND HOSES	23
COOLING SYSTEM-RADIATOR AND BRACKET	24
FUEL SYSTEM	25
FUEL TANK-TANK STD	26
AIR FILTER	27
DRY AIR FILTER-DRY AIR CLEANER	28
EXHAUST SYSTEM	29
EXHAUST SYSTEM	30
THROTTLE CONTROLS	31
INSTRUMENT PANEL-CENTRAL ELECTRICAL EQUIPEMENT.	32
INSTRUMENT PANEL-POINTERS	33
BATTERY BATTERY CASE	34
ELECTRONIC HARNESS-CENTRAL ELECTRICAL EQUIPEMENT.	35
ELECTRICAL WIRING-REAR	36
SENSORS HARNESS-FRONT	37
LIGHTING EQUIPMENT-LIGHTS	38
CLUTCH-LUK - 11	39
CLUTCH-O.M.G. - 11	40
CLUTCH CONTROL-UP TO SERIAL NUMBER A32046	41
CLUTCH PEDAL AND LINKAGE-FROM SERIAL NO. A32047	42
CLUTCH CONTROL-CLUTCH SHAFT BRAKING SISTEM WITH STANDARD TRAN	43
CLUTCH PEDAL AND LINKAGE-CLUTCH SHAFT BRAKING SISTEM WITH STANDARD TRAN	44
CLUTCH CONTROL-CLUTCH SHAFT BRAKING SISTEM WITH SHUTTLE VERSI	45
CLUTCH PEDAL AND LINKAGE-CLUTCH SHAFT BRAKING SISTEM WITH SHUTTLE VERSI	46
CENTRE AXLE HOUSING AND TRANSMISSION HOUSING	47
CENTRE AXLE HOUSING AND TRANSMISSION HOUSING	48
TRANSFER GEAR BOX-CONTROL COVER	49
TRANSMISSION	50
TRANSMISSION	51
TRANSMISSION CONTROL-DRIVING LEVER AND COVER HOUSING	52
TRANSMISSION CONTROL-STANDARD VERSION	53
TRANSMISSION-SHUTTLE AND CREEPER VERSION	54
REDUCER CONTROL OPZIONS-SHUTTLE AND CREEPER VERSION	55
TRANSMISSION CONTROL-SHUTTLE AND CREEPER VERSION	56
TRANSMISSION-OVERDRIVE AND SHUTTLE VERSION	57
REDUCER CONTROL OPZIONS-OVERDRIVE AND SHUTTLE VERSION	58
TRANSMISSION CONTROL-OVERDRIVE AND SHUTTLE VERSION	59
PTO SHAFT-STANDARD TYPE	60
PTO SHAFT-540/750/1000 R.P.M.	61
REAR AXLE	62
BRAKE AND CONTROLS	63
BRAKE AND CONTROLS	64
STEERING CLUTCH	65
STEERING CLUTCH-PIPINGS	66

TABLE OF CONTENT

00

STEERING CLUTCH	67
STEERING CLUTCH-DRIVING LEVER	68
STEERING CLUTCH-PIPINGS	69
ACCESSORIES MISCELLANEOUS	70
BRAKES	71
TRACK ADJUSTER	72
TRACK CHAIN-TRACK CHAIN	73
SUSPENSION TRACK CHAIN-FRONT - REAR	74
SUSPENSION TRACK CHAIN-TRACK CARRIER	75
UPPER ROLLER	76
LOWER ROLLER	77
HYDRAULIC EQUIPMENT	78
HYDRAULIC EQUIPMENT-HEAT EXCHANGER	79
HYDRAULIC PUMP-BOSCH	80
HYDRAULIC PUMP-TUROLLA	81
HYDRAULIC LIFT VALVE	82
HYDRAULIC LIFT	83
HYDRAULIC LIFT	84
MECHANICAL CONTROL LIFT	85
MECHANICAL CONTROL LIFT	86
AUXILIARY HYDRAULIC VALVE LINES	87
AUXILIARY HYDRAULIC VALVE LINES-2 OR 3 DISTRIBUTORS	88
CONTROL VALVE-O.M.C. TYPE	89
AUXILIARY HYDRAULICS VALVE-STANDARD TYPE	90
AUXILIARY HYDRAULICS VALVE-FLOATING	91
AUXILIARY HYDRAULIC VALVE LINES	92
AUXILIARY HYDRAULIC VALVE LINES-2 OR 3 DISTRIBUTORS	93
AUXILIARY HYDRAULICS VALVE STANDARD-TILL TYPE	94
AUXILIARY HYDRAULICS FLOATING-TILL TYPE	95
AUXILIARY HYDRAULIC VALVE LINES	96
AUXILIARY HYDRAULIC VALVE LINES-2 OR 3 DISTRIBUTORS	97
CONTROL VALVE-HIDROIRMA TYPE.	98
AUXILIARY HYDRAULICS VALVE STANDARD-HIDROIRMA TYPE.	99
AUXILIARY HYDRAULICS FLOATING-HIDROIRMA TYPE.	100
LINKAGE	101
SHEET METAL-UP TO SERIAL NUMBER B08111	102
SHEET METAL-FROM SERIAL NO. B08112	103
SHEET METAL-UP TO SERIAL NUMBER B08111	104
SHEET METAL-FROM SERIAL NO. B08112	105
SHEET METAL-BRACKETS AND ASSEMBLING PARTS	106
DECALS-	107
DECALS-	108
FENDERS AND PLATFORM	109
GUARDS-TRACK ROLLERS GUARDS	110
REAR SHEET METAL	111
SAFETY FRAME	112
SEAT-STANDARD TYPE	113
SEAT-LUX TYPE	114
SEAT-STANDARD VERSION	115
SEAT-LUX TYPE	116
WEIGHT FRAME AND WEIGHTS W-FRONT HOOK	117
REAR HOOK-FOR ITALY	118
DRAWBAR-	119
TOOL KIT-	120



MASSEY FERGUSON

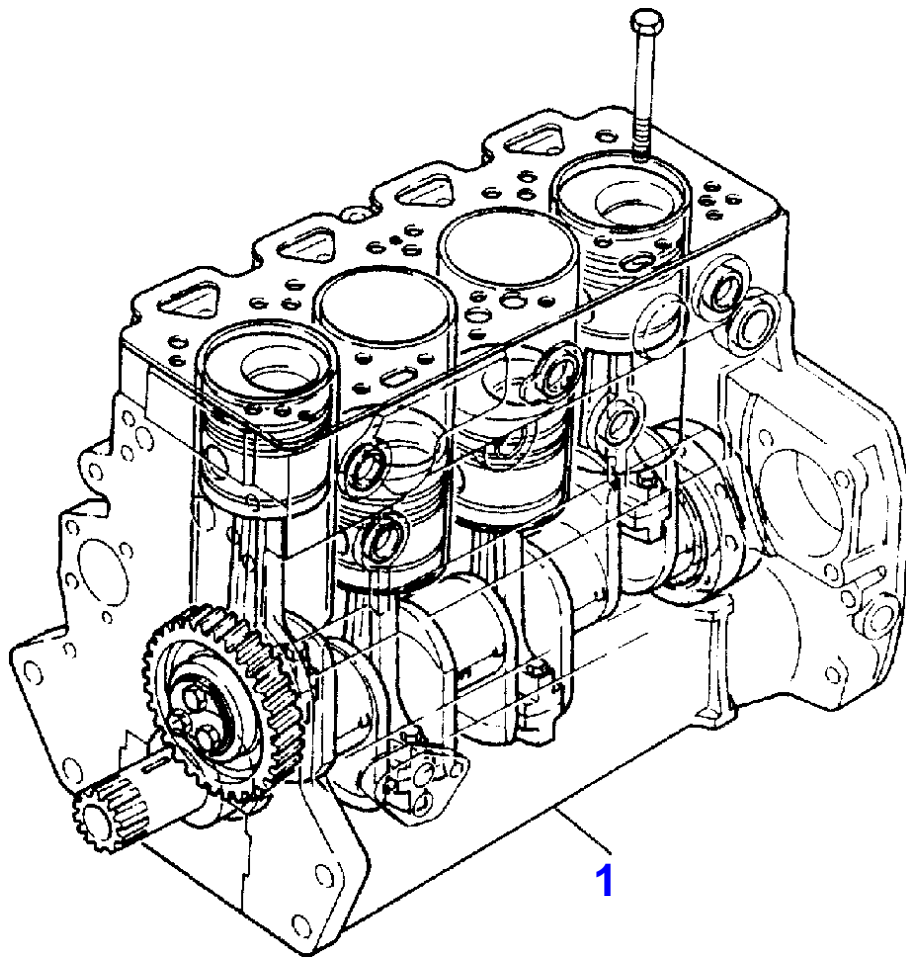
MF 396 CF CRAWLER (IT) - 3311792

3311792

ENGINE ASSEMBLY-A4.248 ENGINE

1

Item	Part Number	Qty	Description	Comments
1	3553132M91	1	Engine	"LF31204"



Thank you so much for reading.
Please click the “Buy Now!”
button below to download the
complete manual.



After you pay.

You can download the most
perfect and complete manual in
the world immediately.

Our support email:

ebooklibonline@outlook.com