

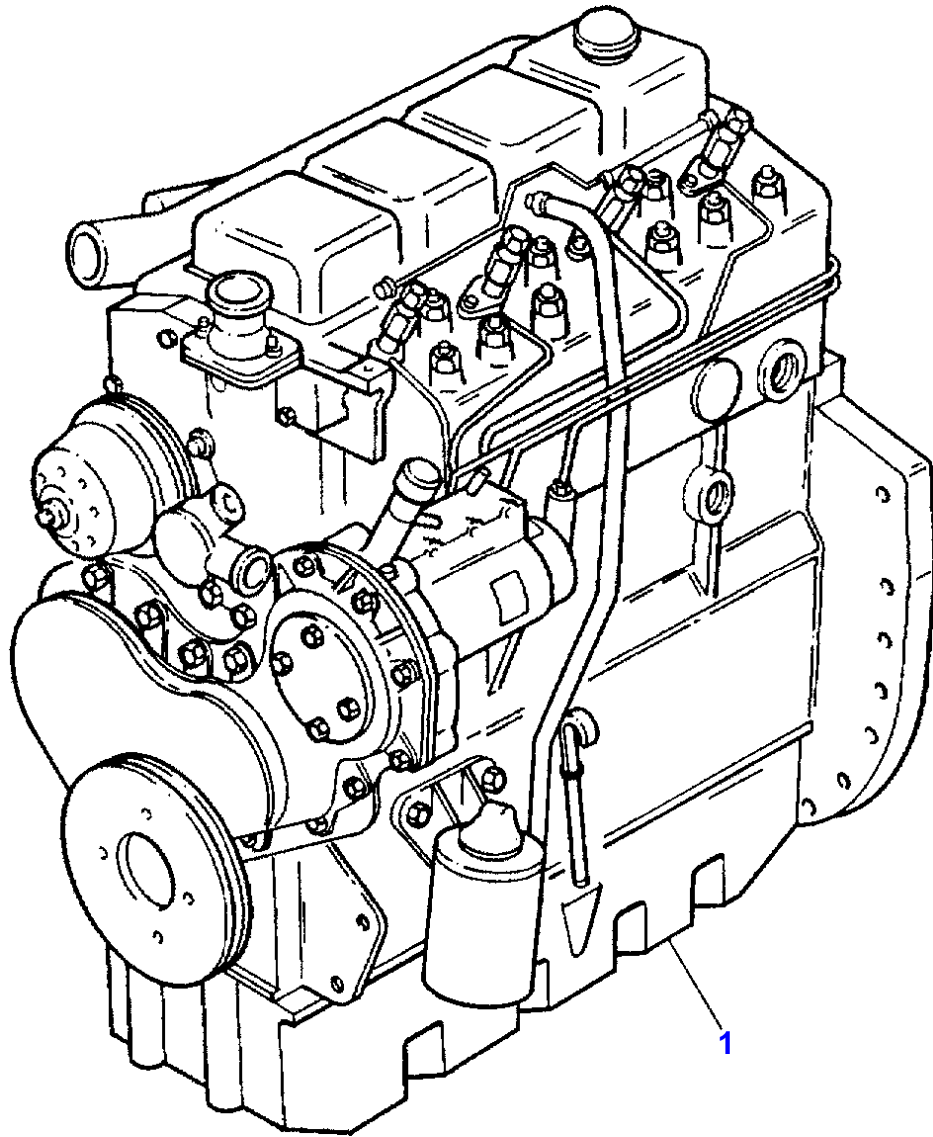
Page Title	Page Number
ENGINE ASSEMBLY-A4.248 ENGINE	1
SHORT ENGINE-TABLE PK ACEL9308	2
CYLINDER BLOCK-A4.248 ENGINE	3
CRANKSHAFT, PISTONS AND CONNECTING RODS-A4.248 ENGINE	4
CYLINDER HEAD-A4.248 ENGINE	5
ROCKER SHAFT-A4.248 ENGINE	6
TIMING GEAR AND CAMSHAFT-A4.248 ENGINE	7
BALANCER UNIT-A4.248 ENGINE	8
FUEL INJECTION EQUIPMENT-A4.248 ENGINE	9
LUBRICATING OIL SUMP-A4.248 ENGINE	10
LUBRICATING OIL FILTER AND INTEGRAL COOLER-A4.248 ENGINE	11
WATER PUMP, THERMOSTAT AND HEAT EXCHANGER-A4.248 ENGINE	12
FUEL SYSTEM AND FILTER-A4.248 ENGINE	13
AIR INDUCTION AND EXHAUST SYSTEM-A4.248 ENGINE	14
ALTERNATOR POSITIONER-A4.248 ENGINE	15
JOINTS AND GASKETS-A4.248 ENGINE	16
HEATER KIT-COLD CLIMATE	17
ALTERNATOR	18
ALTERNATOR-VALEO TYPE	19
ALTERNATOR-ISKRA TYPE	20
STARTER MOTOR-MARELLI TYPE	21
STARTER MOTOR-BOSCH	22
STARTER MOTOR-ISKRA TYPE	23
COOLING SYSTEM-FAN AND HOSES	24
COOLING SYSTEM-RADIATOR AND BRACKET	25
FUEL SYSTEM	26
FUEL TANK	27
DRY AIR FILTER-DRY AIR CLEANER	28
EXHAUST SYSTEM	29
EXHAUST SYSTEM	30
THROTTLE CONTROLS	31
THROTTLE CONTROLS	32
BATTERY	33
INSTRUMENT PANEL	34
INSTRUMENT PANEL	35
ELECTRONIC HARNESS	36
ELECTRICAL WIRING-FRONT	37
ELECTRICAL WIRING-REAR	38
LIGHTING EQUIPMENT	39
LIGHTING EQUIPMENT	40
CLUTCH-O.M.G. - 11	41
CLUTCH-LUK - 11	42
CLUTCH-O.M.G. - 12	43
CLUTCH-LUK - 12	44
CLUTCH PEDAL AND LINKAGE	45
LOWER CLUTCH P.T.O.	46
CENTRE AXLE HOUSING AND TRANSMISSION HOUSING	47
CENTRE AXLE HOUSING AND TRANSMISSION HOUSING	48
TRANSMISSION	49
TRANSMISSION	50
SHIFT LEVERS	51
GEAR BOX-FOR SHUTTLE VERSION ONLY.	52
REDUCER OPTION-FOR SHUTTLE VERSION ONLY.	53
GEAR BOX-FOR SHUTTLE VERSION ONLY.	54
GEAR BOX-FOR SPECIAL OPTIONS VERSION ONLY	55
REDUCER OPTION-OVERDRIVE AND SHUTTLE VERSION	56
REDUCER OPTION-OVERDRIVE AND UNDERDRIVE VERSION	57
REDUCER OPTION-OVERDRIVE AND CREEPER VERSION	58
REDUCER OPTION-UNDERDRIVE AND SHUTTLE VERSION	59
REDUCER OPTION-UNDERDRIVE E CREEPER VERSION	60
REDUCER OPTION-SHUTTLE AND CREEPER VERSION	61
PTO SHAFT-STANDARD TYPE	62
PTO SHAFT-540/750/1000 R.P.M.	63
PTO-CONTROL-STANDARD TYPE	64
PTO-CONTROL-540/750/1000 R.P.M.	65
TRANSFER GEAR BOX AND DRIVE SHAFT:	66

TABLE OF CONTENT

4 WHEEL DRIVE CONTROLS	67
REAR AXLE	68
REAR AXLE	69
DIFFERENTIAL LOCK CONTROLS	70
DIFFERENTIAL LOCK CONTROLS	71
BRAKE AND CONTROLS-PEDALS	72
BRAKE AND CONTROLS-PIPINGS	73
BRAKE AND CONTROLS	74
BRAKES	75
MASTER CYLINDER-BRAKE PUMP	76
BRAKE CYLINDER	77
TRAILER BRAKES-FRANCE TYPE	78
TRAILER BRAKES-ITALY TYPE	79
REAR WHEELS	80
FRONT WHEELS	81
FRONT AXLE 2 WHEEL DRIVE	82
FRONT AXLE 4 WHEEL DRIVE	83
FRONT AXLE 4 WHEEL DRIVE-WITH DISCBRAKES	84
FRONT AXLE 4 WHEEL DRIVE	85
FRONT AXLE 4 WHEEL DRIVE	86
FRONT AXLE 4 WHEEL DRIVE	87
STEERING HYDRAULIC LINES	88
STEERING HYDRAULIC LINES	89
STEERING ORBITROL UNIT-2 WHEEL DRIVE	90
STEERING ORBITROL UNIT-4 WHEELS DRIVE	91
STEERING-PUMP-TUROLLA	92
STEERING-PUMP-BOSCH	93
STEERING CYLINDER	94
STEERING CYLINDER	95
HYDRAULIC EQUIPMENT-HIDRAULIC LINES STD.	96
HYDRAULIC EQUIPMENT-SINGLE HYDRAULIC LINES	97
HYDRAULIC EQUIPMENT-SINGLE HYDRAULIC LINES	98
HYDRAULIC PUMP-TUROLLA	99
HYDRAULIC PUMP-BOSCH	100
HYDRAULIC PUMP-TUROLLA	101
HYDRAULIC PUMP-BOSCH	102
HYDRAULIC PUMP-BOSCH	103
HYDRAULIC PUMP-TUROLLA	104
HYDRAULIC LIFT VALVE-WITH MECANICS RISER	105
HYDRAULIC LIFT-WITH MECANICS RISER	106
HYDRAULIC LIFT-WITH ELECTRONIC LIFT	107
HYDRAULIC LIFT	108
ELECTRICAL WIRING-WITH ELECTRONIC LIFT	109
ELECTRICAL WIRING-WITH ELECTRONIC LIFT	110
ELECTRICAL WIRING-CONTROL PANEL ELECTRONIC LIFT	111
HYDRAULIC LIFT VALVE-WITH ELECTRONIC LIFT	112
HYDRAULIC LIFT CYLINDER	113
MECHANICAL CONTROL LIFT	114
MECHANICAL CONTROL LIFT-INTERMIX	115
MECHANICAL CONTROL LIFT	116
AUXILIARY HYDRAULIC VALVE LINES-TILL TYPE	117
AUXILIARY HYDRAULIC VALVE LINES-TILL TYPE	118
AUXILIARY HYDRAULIC VALVE LINES	119
AUXILIARY HYDRAULICS-CONTROL FOR 1.0 DDISTRIBUTOR	120
AUXILIARY HYDRAULICS-CONTROL WITH 1.0 AND 2.0 DISTRIBUTOR.	121
AUXILIARY HYDRAULICS-CONTROL FOR 3.0 DDISTRIBUTOR TILL	122
AUXILIARY HYDRAULICS VALVE STANDARD-UP TO SERIAL N.B32126	123
AUXILIARY HYDRAULICS VALVE STANDARD-FROM SERIAL N.B32127	124
AUXILIARY HYDRAULICS FLOATING-UP TO SERIAL N.B32126	125
AUXILIARY HYDRAULICS FLOATING-FROM SERIAL N.B32127	126
AUXILIARY HYDRAULIC VALVE LINES-WITH 1.0 DISTRIBUTOR	127
AUXILIARY HYDRAULIC VALVE LINES-WITH 2.0 DISTRIBUTORES	128
AUXILIARY HYDRAULIC VALVE LINES-WITH 3.0 DISTRIBUTORES	129
AUXILIARY HYDRAULIC VALVE LINES-WITH 4.0 DISTRIBUTORES	130
AUXILIARY HYDRAULICS-CONTROL WITH 1.0 AND 2.0 DISTRIBUTOR.	131
AUXILIARY HYDRAULICS-CONTROL FOR 3.0 DISTRIBUTOR - HIDROIRMA	132
AUXILIARY HYDRAULICS-CONTROL FOR 4.0 DISTRIBUTOR -HIDROIRMA	133
CONTROL VALVE-HIDROIRMA TYPE FOR REAR CONTROL VALVE	134

TABLE OF CONTENT

CONTROL VALVE-HYDROIRMA TYPE FOR REAR AND FRONT CONTROL VAL	135
AUXILIARY HYDRAULICS VALVE STANDARD-HYDROIRMA TYPE STANDARD	136
AUXILIARY HYDRAULICS VALVE STANDARD-HYDROIRMA TYPE STANDARD	137
AUXILIARY HYDRAULICS FLOATING-HYDROIRMA TYPE FLOATING	138
AUXILIARY HYDRAULICS FLOATING-HYDROIRMA TYPE FLOATING	139
CONTROLS AUXILIARY HYDRAULICS-APPLICATION SUPPLEMENTARY	140
CONTROLS AUXILIARY HYDRAULICS-APPLICATION SUPPLEMENTARY	141
LINKAGE	142
LINKAGE-QUICK ATTACH	143
LINKAGE-QUICK ATTACH	144
LINKAGE-QUICK ATTACH-DETAILS	145
LINKAGE-QUICK ATTACH	146
SHEET METAL	147
SIDE COVER-SHIELD FAN	148
SHEET METAL	149
SHEET METAL	150
SHEET METAL-CLADDING PLATFORM	151
SHEET METAL-CLADDING PLATFORM	152
DECALS	153
DECALS	154
DECALS	155
SUPPORTS PLATFORM	156
SHEET METAL-CLADDING PLATFORM	157
SHEET METAL-CHASSIS AND SUSPENSION	158
FENDERS - FRONT-4 WHEEL DRIVE	159
SEAT	160
SEAT	161
SEAT	162
SEAT	163
DRIVER SEAT	164
TRACTOR CAB	165
TRACTOR CAB-FRONT - WINDSCREEN	166
TRACTOR CAB-LOWER FIXED COMPONENTS	167
TRACTOR CAB	168
TRACTOR CAB-REAR AND BRACKET	169
TRACTOR CAB-LEFT SIDE - RIGHT SIDE	170
TRACTOR CAB-OUTSIDE AND INTERNAL	171
TRACTOR CAB	172
TRACTOR CAB	173
TRACTOR CAB	174
TRACTOR CAB	175
ROTATING LIGHT	176
WEIGHT FRAME AND WEIGHTS W	177
REAR HOOK	178
REAR HOOK-STANDARD TYPE	179
DRAWBAR-HEAVY DUTY	180
REAR HOOK-WITH 6 POSITIONS	181
REAR HOOK	182
TOOL KIT	183



MASSEY FERGUSON

MF 394 AQ CAB TRACTOR - 3540110

3540110

ENGINE ASSEMBLY-A4.248 ENGINE

1

Item	Part Number	Qty	Description	Comments
1	3553132M91	1	Engine	"LF31204"

Thank you so much for reading.  
Please click the “Buy Now!”  
button below to download the  
complete manual.



After you pay.

You can download the most  
perfect and complete manual in  
the world immediately.

Our support email:

[ebooklibonline@outlook.com](mailto:ebooklibonline@outlook.com)