

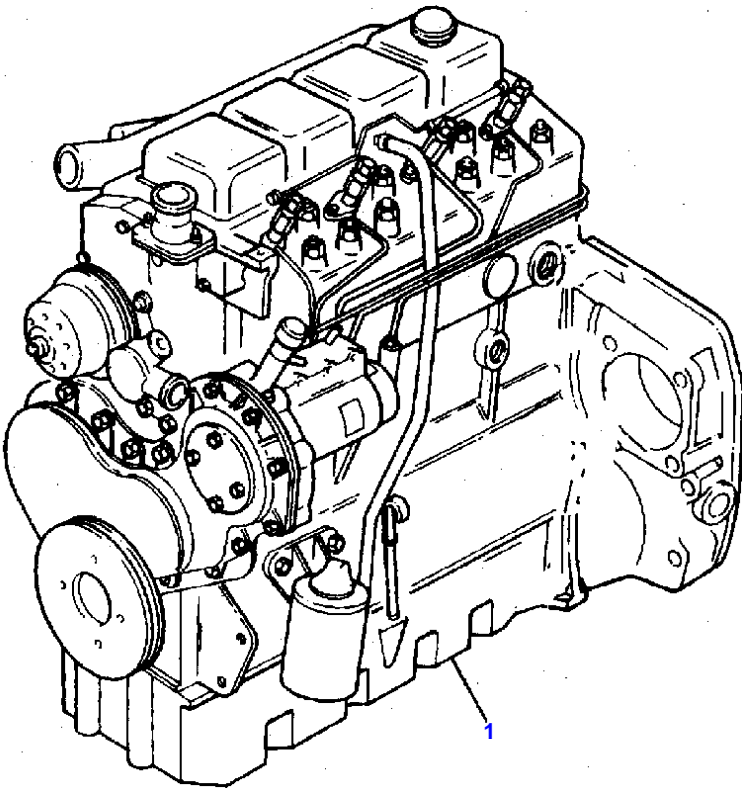
| Page Title   | Page Number |
|--|-------------|
| ENGINE ASSEMBLY-T4.236 ENGINE                            | 1           |
| SHORT ENGINE-T4.236 ENGINE                               | 2           |
| KIT ENGINE OVERHAUL                                      | 3           |
| CYLINDER BLOCK-T4.236 ENGINE                             | 4           |
| CRANKSHAFT, PISTONS AND CONNECTING RODS-T4.236 ENGINE    | 5           |
| CYLINDER HEAD-T4.236 ENGINE                              | 6           |
| ROCKER SHAFT-T4.236 ENGINE                               | 7           |
| TIMING GEAR AND CAMSHAFT-T4.236 ENGINE                   | 8           |
| FUEL INJECTION EQUIPMENT-T4.236 ENGINE                   | 9           |
| BALANCER UNIT-T4.236 ENGINE                              | 10          |
| LUBRICATING OIL SUMP-T4.236 ENGINE                       | 11          |
| LUBRICATING OIL FILTER AND INTEGRAL COOLER-T4.236 ENGINE | 12          |
| WATER PUMP, THERMOSTAT AND HEAT EXCHANGER-T4.236 ENGINE  | 13          |
| FUEL SYSTEM AND FILTER-T4.236 ENGINE                     | 14          |
| TURBOCHARGER-T4.236 ENGINE                               | 15          |
| TURBOCHARGER-T4.236 ENGINE                               | 16          |
| TURBOCHARGER-T4.236 ENGINE                               | 17          |
| JOINTS AND GASKETS-T4.236 ENGINE                         | 18          |
| HEATER KIT-COLD CLIMATE                                  | 19          |
| ALTERNATOR-ISKRA TYPE                                    | 20          |
| STARTER MOTOR-MARELLI TYPE                               | 21          |
| STARTER MOTOR-ISKRA TYPE                                 | 22          |
| COOLING SYSTEM-FAN AND HOSES                             | 23          |
| COOLING SYSTEM-RADIATOR AND BRACKET                      | 24          |
| FUEL SYSTEM  | 25          |
| FUEL TANK  | 26          |
| DRY AIR FILTER   | 27          |
| EXHAUST SYSTEM   | 28          |
| EXHAUST SYSTEM   | 29          |
| THROTTLE CONTROLS  | 30          |
| THROTTLE CONTROLS  | 31          |
| BATTERY  | 32          |
| INSTRUMENT PANEL   | 33          |
| INSTRUMENT PANEL   | 34          |
| ELECTRONIC HARNESS                                       | 35          |
| ELECTRICAL WIRING-FRONT                                  | 36          |
| ELECTRICAL WIRING-REAR                                   | 37          |
| LIGHTING EQUIPMENT                                       | 38          |
| LIGHTING EQUIPMENT                                       | 39          |
| CLUTCH-O.M.G. - 12                                       | 40          |
| CLUTCH-LUK - 12  | 41          |
| CLUTCH PEDAL AND LINKAGE                                 | 42          |
| LOWER CLUTCH P.T.O.                                      | 43          |
| CENTRE AXLE HOUSING AND TRANSMISSION HOUSING             | 44          |
| CENTRE AXLE HOUSING AND TRANSMISSION HOUSING             | 45          |
| TRANSMISSION   | 46          |
| TRANSMISSION   | 47          |
| SHIFT LEVERS   | 48          |
| GEAR BOX-FOR SHUTTLE VERSION ONLY.                       | 49          |
| REDUCER OPTION-FOR SHUTTLE VERSION ONLY.                 | 50          |
| GEAR BOX-FOR SHUTTLE VERSION ONLY.                       | 51          |
| GEAR BOX-FOR SPECIAL OPTIONS VERSION ONLY                | 52          |
| REDUCER OPTION-OVERDRIVE AND SHUTTLE VERSION             | 53          |
| REDUCER OPTION-OVERDRIVE AND UNDERDRIVE VERSION          | 54          |
| REDUCER OPTION-OVERDRIVE AND CREEPER VERSION             | 55          |
| REDUCER OPTION-UNDERDRIVE AND SHUTTLE VERSION            | 56          |
| REDUCER OPTION-UNDERDRIVE E CREEPER VERSION              | 57          |
| REDUCER OPTION-SHUTTLE AND CREEPER VERSION               | 58          |
| PTO SHAFT-540/750/1000 R.P.M.                            | 59          |
| PTO SHAFT-   | 60          |
| PTO-CONTROL-STANDARD TYPE                                | 61          |
| PTO-CONTROL-540/750/1000 R.P.M.                          | 62          |
| TRANSFER GEAR BOX AND DRIVE SHAFT:                       | 63          |
| 4 WHEEL DRIVE CONTROLS                                   | 64          |
| REAR AXLE  | 65          |
| REAR AXLE  | 66          |

TABLE OF CONTENT

|  |     |
|--|-----|
| DIFFERENTIAL LOCK CONTROLS                                   | 67  |
| DIFFERENTIAL LOCK CONTROLS                                   | 68  |
| BRAKE AND CONTROLS-PEDALS                                    | 69  |
| BRAKE AND CONTROLS-PIPINGS                                   | 70  |
| BRAKE AND CONTROLS   | 71  |
| BRAKES   | 72  |
| MASTER CYLINDER-BRAKE PUMP                                   | 73  |
| BRAKE CYLINDER   | 74  |
| TRAILER BRAKES-FRANCE TYPE                                   | 75  |
| TRAILER BRAKES-ITALY TYPE                                    | 76  |
| REAR WHEELS  | 77  |
| FRONT WHEELS   | 78  |
| FRONT AXLE 2 WHEEL DRIVE                                     | 79  |
| FRONT AXLE 4 WHEEL DRIVE                                     | 80  |
| FRONT AXLE 4 WHEEL DRIVE-WITH DISCBRAKES                     | 81  |
| FRONT AXLE 4 WHEEL DRIVE                                     | 82  |
| FRONT AXLE 4 WHEEL DRIVE                                     | 83  |
| FRONT AXLE 4 WHEEL DRIVE                                     | 84  |
| STEERING HYDRAULIC LINES                                     | 85  |
| STEERING HYDRAULIC LINES                                     | 86  |
| STEERING ORBITROL UNIT-2 WHEE DRIVE                          | 87  |
| STEERING ORBITROL UNIT-4 WHEELS DRIVE                        | 88  |
| STEERING-PUMP-TUROLLA  | 89  |
| STEERING-PUMP-BOSCH  | 90  |
| STEERING CYLINDER  | 91  |
| STEERING CYLINDER  | 92  |
| HYDRAULIC EQUIPMENT-HIDRAULIC LINES STD.                     | 93  |
| HYDRAULIC EQUIPMENT-SINGLE HYDRAULIC LINES                   | 94  |
| HYDRAULIC EQUIPMENT-SINGLE HYDRAULIC LINES                   | 95  |
| HYDRAULIC PUMP-TUROLLA                                       | 96  |
| HYDRAULIC PUMP-BOSCH   | 97  |
| HYDRAULIC PUMP-TUROLLA                                       | 98  |
| HYDRAULIC PUMP-BOSCH   | 99  |
| HYDRAULIC PUMP-BOSCH   | 100 |
| HYDRAULIC PUMP-TUROLLA                                       | 101 |
| HYDRAULIC LIFT VALVE-WITH MECANICS RISER                     | 102 |
| HYDRAULIC LIFT-WITH MECANICS RISER                           | 103 |
| HYDRAULIC LIFT-WITH ELECTRONIC LIFT                          | 104 |
| HYDRAULIC LIFT   | 105 |
| ELECTRICAL WIRING-WITH ELECTRONIC LIFT                       | 106 |
| ELECTRICAL WIRING-WITH ELECTRONIC LIFT                       | 107 |
| ELECTRICAL WIRING-CONTROL PANEL ELECTRONIC LIFT              | 108 |
| HYDRAULIC LIFT VALVE-WITH ELECTRONIC LIFT                    | 109 |
| HYDRAULIC LIFT CYLINDER                                      | 110 |
| MECHANICAL CONTROL LIFT                                      | 111 |
| MECHANICAL CONTROL LIFT-INTERMIX                             | 112 |
| MECHANICAL CONTROL LIFT                                      | 113 |
| AUXILIARY HYDRAULIC VALVE LINES-TILL TYPE                    | 114 |
| AUXILIARY HYDRAULIC VALVE LINES-TILL TYPE                    | 115 |
| AUXILIARY HYDRAULIC VALVE LINES                              | 116 |
| AUXILIARY HYDRAULICS-CONTROL FOR 1.0 DDISTRIBUTOR            | 117 |
| AUXILIARY HYDRAULICS-CONTROL WITH 1.0 AND 2.0 DISTRIBUTOR.   | 118 |
| AUXILIARY HYDRAULICS-CONTROL FOR 3.0 DDISTRIBUTOR TILL       | 119 |
| AUXILIARY HYDRAULICS VALVE STANDARD-FROM SERIAL N.B32127     | 120 |
| AUXILIARY HYDRAULICS FLOATING-FROM SERIAL N.B32127           | 121 |
| AUXILIARY HYDRAULIC VALVE LINES-WITH 1.0 DISTRIBUTOR         | 122 |
| AUXILIARY HYDRAULIC VALVE LINES-WITH 2.0 DISTRIBUTORES       | 123 |
| AUXILIARY HYDRAULIC VALVE LINES-WITH 3.0 DISTRIBUTORES       | 124 |
| AUXILIARY HYDRAULIC VALVE LINES-WITH 4.0 DISTRIBUTORES       | 125 |
| AUXILIARY HYDRAULICS-CONTROL WITH 1.0 AND 2.0 DISTRIBUTOR.   | 126 |
| AUXILIARY HYDRAULICS-CONTROL FOR 3.0 DISTRIBUTOR - HIDROIRMA | 127 |
| AUXILIARY HYDRAULICS-CONTROL FOR 4.0 DISTRIBUTOR -HIDROIRMA  | 128 |
| CONTROL VALVE-HYDROIRMA TYPE FOR REAR CONTROL VALVE          | 129 |
| CONTROL VALVE-HYDROIRMA TYPE FOR REAR AND FRONT CONTROL VAL  | 130 |
| AUXILIARY HYDRAULICS VALVE STANDARD-HYDROIRMA TYPE STANDARD  | 131 |
| AUXILIARY HYDRAULICS VALVE STANDARD-HYDROIRMA TYPE STANDARD  | 132 |
| AUXILIARY HYDRAULICS FLOATING-HYDROIRMA TYPE FLOATING        | 133 |
| AUXILIARY HYDRAULICS FLOATING-HYDROIRMA TYPE FLOATING        | 134 |

TABLE OF CONTENT

|   |     |
|---|-----|
| CONTROLS AUXILIARY HYDRAULICS-APPLICATION SUPPLEMENTARY | 135 |
| CONTROLS AUXILIARY HYDRAULICS-APPLICATION SUPPLEMENTARY | 136 |
| LINKAGE   | 137 |
| LINKAGE-QUICK ATTACH                                    | 138 |
| LINKAGE-QUICK ATTACH                                    | 139 |
| LINKAGE-QUICK ATTACH-DETAILS                            | 140 |
| LINKAGE-QUICK ATTACH                                    | 141 |
| SHEET METAL   | 142 |
| SIDE COVER-SHIELD FAN                                   | 143 |
| SHEET METAL   | 144 |
| SHEET METAL   | 145 |
| SHEET METAL-CLADDING PLATFORM                           | 146 |
| SHEET METAL-CLADDING PLATFORM                           | 147 |
| DECALS  | 148 |
| DECALS  | 149 |
| DECALS  | 150 |
| SUPPORTS PLATFORM                                       | 151 |
| SHEET METAL-CLADDING PLATFORM                           | 152 |
| SHEET METAL-CHASSIS AND SUSPENSION                      | 153 |
| FENDERS - FRONT-4 WHEEL DRIVE                           | 154 |
| SEAT  | 155 |
| SEAT  | 156 |
| SEAT  | 157 |
| SEAT  | 158 |
| DRIVER SEAT   | 159 |
| TRACTOR CAB   | 160 |
| TRACTOR CAB-FRONT - WINDSCRENN                          | 161 |
| TRACTOR CAB-LOWER FIXED COMPONENTS                      | 162 |
| TRACTOR CAB   | 163 |
| TRACTOR CAB-REAR AND BRACKET                            | 164 |
| TRACTOR CAB-LEFT SIDE - RIGHT SIDE                      | 165 |
| TRACTOR CAB-OUTSIDE AND INTERNAL                        | 166 |
| TRACTOR CAB   | 167 |
| TRACTOR CAB   | 168 |
| TRACTOR CAB   | 169 |
| TRACTOR CAB   | 170 |
| ROTATING LIGHT  | 171 |
| WEIGHT FRAME AND WEIGHTS W                              | 172 |
| REAR HOOK   | 173 |
| REAR HOOK-STANDARD TYPE                                 | 174 |
| DRAWBAR-HEAVY DUTY                                      | 175 |
| REAR HOOK-WITH 6 POSITIONS                              | 176 |
| REAR HOOK   | 177 |
| FRONT AND REAR HOOK-REAR AND BRACKET                    | 178 |
| HOOK PULL   | 179 |
| HOOK PULL   | 180 |
| TOOL KIT  | 181 |
| SEALERS AND LIQUID GASKETS ADHESIES                     | 182 |
| HEATER KIT-COLD CLIMATE                                 | 183 |
| KIT FRONT FENDERS-4 WHEELS DRIVE                        | 184 |
| KIT HOOK PULL   | 185 |
| KIT HOOK PULL   | 186 |
| KIT HOOK PULL   | 187 |
| KIT HOOK PULL   | 188 |



MASSEY FERGUSON

MF 394 T AQ TRACTOR CAB - 3540111

3540111

ENGINE ASSEMBLY-T4.236 ENGINE

1

| Item | Part Number | Qty | Description | Comments     |
|------|-------------|-----|-------------|--------------|
| 1    | 3553130M91  | 1   | Engine      | "PK-LJ31229" |

Thank you so much for reading.  
Please click the “Buy Now!”  
button below to download the  
complete manual.



After you pay.

You can download the most  
perfect and complete manual in  
the world immediately.

Our support email:

[ebooklibonline@outlook.com](mailto:ebooklibonline@outlook.com)