

Page Title	Page Number
ENGINE ASSEMBLY-AD3.152 ENGINE	1
SHORT ENGINE-TABLE PK ACEC9106	2
CYLINDER BLOCK-AD3.152 ENGINE	3
CRANKSHAFT, PISTONS AND CONNECTING RODS-AD3.152 ENGINE	4
CYLINDER HEAD-AD3.152 ENGINE	5
ROCKER SHAFT-AD3.152 ENGINE	6
AIR INDUCTION AND EXHAUST SYSTEM	7
TIMING GEAR AND CAMSHAFT-AD3.152 ENGINE	8
FUEL INJECTION EQUIPMENT-AD3.152 ENGINE	9
LUBRICATING OIL SUMP-AD3.152 ENGINE	10
LUBRICATING OIL FILTER AND INTEGRAL COOLER-AD3.152 ENGINE	11
WATER PUMP, THERMOSTAT AND HEAT EXCHANGER-AD3.152 ENGINE	12
FUEL SYSTEM AND FILTER-AD3.152 ENGINE	13
ALTERNATOR POSITIONER-AD3.152 ENGINE	14
JOINTS AND GASKETS-AD3.152 ENGINE	15
HEATER KIT-COLD CLIMATE	16
ALTERNATOR-ISKRA TYPE	17
ALTERNATOR	18
ALTERNATOR-VALEO TYPE	19
STARTER MOTOR-PERKINS TYPE (MARELLI)	20
STARTER MOTOR-BOSCH	21
STARTER MOTOR-ISKRA TYPE	22
COOLING SYSTEM-FAN AND HOSES	23
COOLING SYSTEM-RADIATOR AND BRACKET	24
FUEL SYSTEM	25
FUEL TANK-TRACTOR 354 GE	26
FUEL TANK-TRACTOR 354 SP	27
FUEL TANK-TRACTOR 354 AP	28
FUEL TANK-TRACTOR 354 FP	29
DRY AIR FILTER	30
EXHAUST SYSTEM-TRACTOR 354 SP	31
EXHAUST SYSTEM-TRACTOR 354 FP	32
EXHAUST SYSTEM-TRACTOR 354 AP	33
EXHAUST SYSTEM-TRACTOR 354 GE	34
EXHAUST SYSTEM-TRACTOR 354 SP - 354 FP - 354 AP	35
THROTTLE CONTROLS-TRACTOR 354 SP - 354 FP - 354 GE	36
THROTTLE CONTROLS-TRACTOR 354 AP	37
INSTRUMENT PANEL	38
INSTRUMENT PANEL	39
INSTRUMENT PANEL-WITH ELECTRONIC LIFT - NOT INCLUDED TRACTOR	40
ELECTRICAL WIRING-REAR - TRACTOR SP - FP - AP - GE	41
ELECTRICAL WIRING-FRONT - TRACTOR SP - FP - AP	42
ELECTRICAL WIRING-FRONT - TRACTOR GE	43
ELECTRICAL WIRING-TRACTOR SP - FP - AP	44
ELECTRICAL WIRING-TRACTOR SP - FP - AP	45
ELECTRICAL WIRING-TRACTOR SP - FP - AP	46
BATTERY	47
LIGHTING EQUIPMENT-TRACTOR SP - FP - AP - GE	48
LIGHTING EQUIPMENT	49
CLUTCH PEDAL AND LINKAGE-TRACTOR SP - FP - GE - H	50
CLUTCH PEDAL AND LINKAGE-TRACTORT AP	51
CLUTCH-O.M.G. - 11	52
CLUTCH-LUK - 11	53
LOWER CLUTCH P.T.O.-TRACTOR SP - FP - GE - H	54
LOWER CLUTCH P.T.O.-TRACTORT AP	55
CENTRE AXLE HOUSING AND TRANSMISSION HOUSING-WITHOUT OPTIONS (EXPORT ONLY)	56
CENTRE AXLE HOUSING AND TRANSMISSION HOUSING-FOR OPTIONS VERSION ONLY	57
CENTRE AXLE HOUSING AND TRANSMISSION HOUSING	58
CENTRE AXLE HOUSING AND TRANSMISSION HOUSING-TRACTORT AP	59
TRANSMISSION	60
TRANSMISSION-TRACTORT AP	61
TRANSMISSION	62
SHIFT LEVERS-TRACTOR SP - FP - AP - H	63
SHIFT LEVERS-TRACTOR GE	64
GEAR BOX	65
REDUCER OPTION-FOR SHUTTLE VERSION ONLY: TRACTOR SP - FP - GE	66

TABLE OF CONTENT

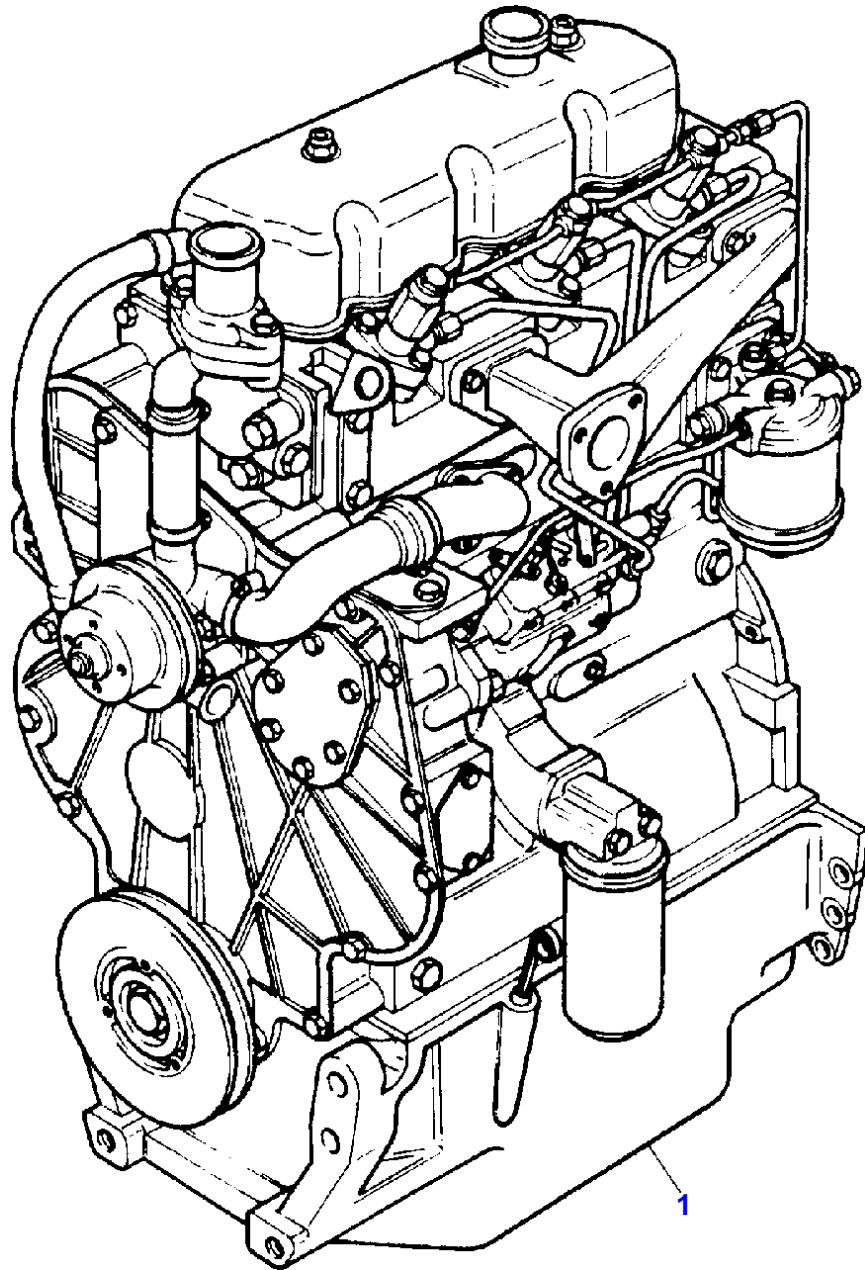
REDUCER OPTION-FOR SHUTTLE VERSION ONLY : TRACTOR AP	67
GEAR BOX-FOR SHUTTLE VERSION ONLY.	68
GEAR BOX-FOR SPECIAL OPTIONS VERSION ONLY	69
REDUCER OPTION-OVERDRIVE AND SHUTTLE VERSION	70
REDUCER OPTION-OVERDRIVE AND SHUTTLE VERSION	71
REDUCER OPTION-OVERDRIVE AND CREEPER VERSION	72
REDUCER OPTION-OVERDRIVE AND CREEPER VERSION	73
REDUCER OPTION-OVERDRIVE AND UNDERDRIVE VERSION	74
REDUCER OPTION-OVERDRIVE AND UNDERDRIVE VERSION	75
REDUCER OPTION-UNDERDRIVE AND SHUTTLE VERSION	76
REDUCER OPTION-UNDERDRIVE AND SHUTTLE VERSION	77
REDUCER OPTION-UNDERDRIVE E CREEPER VERSION	78
REDUCER OPTION-UNDERDRIVE E CREEPER VERSION	79
REDUCER OPTION-SHUTTLE AND CREEPER VERSION	80
REDUCER OPTION-SHUTTLE AND CREEPER VERSION	81
PTO SHAFT-STANDARD - TRACTOR SP - GE	82
PTO SHAFT-STANDARD - TRACTOR FP - H	83
PTO SHAFT-STANDARD - TRACTOR AP	84
PTO SHAFT-540/750/1000 R.P.M.- TRACTOR SP - GE	85
PTO SHAFT-540/750/1000 R.P.M.- TRACTOR FP - H	86
PTO SHAFT-540/750/1000 R.P.M.- TRACTOR AP	87
PTO-CONTROL-TRACTOR SP - GE	88
PTO-CONTROL-TRACTOR FP - AP - H	89
PTO-CONTROL-540/750/1000 R.P.M.- TRACTOR SP - GE	90
PTO-CONTROL-540/750/1000 R.P.M.- TRACTOR FP - AP - H	91
TRANSFER GEAR BOX AND DRIVE SHAFT:-TRACTOR 354 SP/FP	92
TRANSFER GEAR BOX AND DRIVE SHAFT:-TRACTOR 354 AP	93
TRANSFER GEAR BOX AND DRIVE SHAFT:-TRACTOR 354 GE	94
4 WHEEL DRIVE CONTROLS	95
REAR AXLE	96
REAR AXLE-TRACTOR 354 SP	97
REAR AXLE-TRACTOR 354 FP - 354 AP	98
REAR AXLE-TRACTOR 354 GE	99
DIFFERENTIAL LOCK CONTROLS-MECHANICAL CONTROL	100
DIFFERENTIAL LOCK CONTROLS-HYDRAULIC CONTROL	101
DIFFERENTIAL LOCK CONTROLS-HYDRAULIC CONTROL	102
BRAKE AND CONTROLS-PEDALS	103
BRAKE AND CONTROLS-PIPINGS	104
BRAKE AND CONTROLS-DEVICE CONTROL	105
BRAKES	106
MASTER CYLINDER-BRAKE PUMP	107
BRAKE CYLINDER	108
TRAILER BRAKES-TRACTOR 354 SP - 354 FP - 354 AP	109
TRAILER BRAKES-TRACTOR 354 SP - 354 FP - 354 AP	110
REAR WHEELS-TRACTOR 354 SP	111
REAR WHEELS-TRACTOR 354 FP - 354 AP	112
REAR WHEELS-TRACTOR GE	113
FRONT WHEELS-TRACTOR 354 GE	114
FRONT WHEELS-TRACTOR 354 SP	115
FRONT WHEELS-TRACTOR 354 FP - 354 AP	116
FRONT AXLE 2 WHEEL DRIVE-TRACTOR FP - AP	117
FRONT AXLE 2 WHEEL DRIVE-TRACTOR SP - GE	118
FRONT AXLE 4 WHEEL DRIVE	119
FRONT AXLE 4 WHEEL DRIVE	120
FRONT AXLE 4 WHEEL DRIVE-TRACTOR 354 SP	121
FRONT AXLE 4 WHEEL DRIVE-TRACTOR 354 FP - 354 AP	122
FRONT AXLE 4 WHEEL DRIVE-TRACTOR GE	123
FRONT AXLE 4 WHEEL DRIVE-TRACTOR 354 SP	124
FRONT AXLE 4 WHEEL DRIVE-TRACTOR 354 FP - 354 AP	125
FRONT AXLE 4 WHEEL DRIVE-TRACTOR GE	126
FRONT AXLE 4 WHEEL DRIVE-TYPE NO-SPIN	127
FRONT AXLE 4 WHEEL DRIVE-TYPE STANDARD	128
FRONT AXLE 4 WHEEL DRIVE-TYPE HYDROLOCK	129
FRONT AXLE 4 WHEEL DRIVE-PINION SET AND SIDE SHAFT	130
FRONT AXLE 4 WHEEL DRIVE-PINION SET AND SIDE SHAFT	131
FRONT AXLE 4 WHEEL DRIVE-HOUSINGS AND STEERING CYLINDER	132
FRONT AXLE 4 WHEEL DRIVE-FINAL REDUCER AND WHELL HUB	133
FRONT AXLE 4 WHEEL DRIVE-WITH DIFFERENTIAL NO-SPIN AND STANDARD	134

TABLE OF CONTENT

FRONT AXLE 4 WHEEL DRIVE-WITH DIFFERENTIAL HYDROLOCK	135
STEERING HYDRAULIC LINES	136
STEERING HYDRAULIC LINES-TRACTOR SP - FP - GE	137
STEERING HYDRAULIC LINES-TRACTORT AP	138
STEERING ORBITROL UNIT-2 WHEE DRIVE	139
STEERING ORBITROL UNIT-4 WHEELS DRIVE	140
STEERING-PUMP-TUROLLA	141
STEERING-PUMP-BOSCH	142
STEERING CYLINDER-TRACTOR SP - GE	143
STEERING CYLINDER-TRACTOR FP - AP - H	144
STEERING CYLINDER	145
HYDRAULIC EQUIPMENT-TRACTOR SP - FP - GE	146
HYDRAULIC EQUIPMENT-TRACTORT AP	147
HYDRAULIC EQUIPMENT-TRACTOR SP - FP - GE	148
HYDRAULIC EQUIPMENT-TRACTORT AP	149
HYDRAULIC EQUIPMENT-TRACTOR SP - FP - GE	150
HYDRAULIC EQUIPMENT-TRACTORT AP	151
AUXILIARY HYDRAULIC VALVE LINES-WITH AUXILIARY HYDRAULIC VALVE CLEARANCE	152
HYDRAULIC PUMP-TUROLLA	153
HYDRAULIC PUMP-BOSCH	154
HYDRAULIC PUMP-CESSNA	155
HYDRAULIC PUMP-BOSCH	156
HYDRAULIC PUMP-TUROLLA	157
HYDRAULIC LIFT VALVE-WITH MECANICS RISER	158
HYDRAULIC LIFT	159
HYDRAULIC LIFT-TRACTOR SP - GE	160
HYDRAULIC LIFT-TRACTOR FP - AP	161
HYDRAULIC LIFT-TRACTOR SP	162
HYDRAULIC LIFT-TRACTOR FP - AP	163
ELECTRICAL WIRING-FOR ELECTRONIC LIFT	164
HYDRAULIC LIFT VALVE-FOR ELECTRONIC LIFT	165
ELECTRICAL WIRING-CONTROL PANEL ELECTRONIC LIFT	166
ELECTRICAL WIRING-CONTROL PANEL ELECTRONIC LIFT	167
MECHANICAL CONTROL LIFT-TRACTOR SP	168
MECHANICAL CONTROL LIFT-TRACTOR GE	169
MECHANICAL CONTROL LIFT-TRACTOR FP - AP	170
MECHANICAL CONTROL LIFT-TRACTOR FP - AP	171
MECHANICAL CONTROL LIFT-TRACTOR SP	172
MECHANICAL CONTROL LIFT-TRACTOR SP - FP - AP	173
MECHANICAL CONTROL LIFT-TRACTOR GE	174
HYDRAULIC LIFT CYLINDER-HYDRAULIC LIFT CYLINDER,WITH 1'AND 2'AUXIL.HYD	175
HYDRAULIC LIFT CYLINDER-HYDRAULIC LIFT CYLINDER,WITH 3AND 4 AUXIL.HYDR	176
AUXILIARY HYDRAULIC VALVE LINES-WITH 1.0 DISTRIBUTOR	177
AUXILIARY HYDRAULIC VALVE LINES-WITH 2.0 DISTRIBUTORES	178
AUXILIARY HYDRAULIC VALVE LINES-WITH 3.0 DISTRIBUTORES	179
AUXILIARY HYDRAULIC VALVE LINES-TRACTOR FP-AP-H ,WITH N.4 HYDRA. VALVE	180
CONTROLS ,AUXILIARY HYDRAULICS-WITH 1.0 DISTRIBUTOR	181
CONTROLS ,AUXILIARY HYDRAULICS-WITH 2.0 DISTRIBUTORES	182
CONTROLS ,AUXILIARY HYDRAULICS-WITH 3.0 DISTRIBUTORES	183
CONTROLS ,AUXILIARY HYDRAULICS-TRACTOR FP - AP - H	184
PLATE FOR AUXILIARY HYDRAULIC VALVE-HIDROIRMA TYPE.	185
AUXILIARY HYDRAULICS VALVE STANDARD-HYDROIRMA TYPE STANDARD	186
AUXILIARY HYDRAULICS VALVE STANDARD-HYDROIRMA TYPE STANDARD	187
AUXILIARY HYDRAULICS FLOATING-HYDROIRMA TYPE FLOATING	188
AUXILIARY HYDRAULICS FLOATING-HYDROIRMA TYPE FLOATING	189
AUXILIARY HYDRAULIC VALVE LINES-WITH 1.0 DISTRIBUTOR	190
AUXILIARY HYDRAULIC VALVE LINES-WITH 2.0 DISTRIBUTORES	191
AUXILIARY HYDRAULIC VALVE LINES-TRACTOR FP-AP-H ,WITH N.3 HYDRA. VALVE	192
CONTROLS ,AUXILIARY HYDRAULICS-WITH 1.0 DISTRIBUTOR	193
CONTROLS ,AUXILIARY HYDRAULICS-WITH 2.0 DISTRIBUTORES	194
CONTROLS ,AUXILIARY HYDRAULICS-TRACTOR FP-AP-H ,WITH N.3 HYDRA. VALVE	195
AUXILIARY HYDRAULICS VALVE-TILL TYPE STANDARD	196
AUXILIARY HYDRAULICS VALVE-TILL TYPE FLOATING	197
ACCESSORIES HYDRAULIC-ADDITIONAL POWER OUTLET UNIT	198
LINKAGE-STANDARD VERSION	199
LINKAGE-STANDARD VERSION	200
LINKAGE-TRACTOR SP	201
LINKAGE-NOT INCLUDED GE TRACTOR	202

TABLE OF CONTENT

LINKAGE-TRACTOR GE	203
LINKAGE-NOT INCLUDED GE TRACTOR	204
LINKAGE-TRACTOR GE	205
LINKAGE	206
LINKAGE-MECANICS LIFT CYLINDER RIGTH	207
LINKAGE-TRACTOR FP - AP	208
LINKAGE-TRACTOR FP - AP	209
SHEET METAL	210
SHEET METAL-TRACTOR SP - FP - GE	211
SHEET METAL-TRACTORT AP	212
COOLING SYSTEM-SHIELD FAN	213
SHEET METAL-TRACTOR SP - FP - GE	214
SHEET METAL-TRACTORT AP	215
DECALS	216
DECALS	217
DECALS	218
DECALS	219
DECALS	220
FENDERS - FRONT-4 WHEELS DRIVE	221
FENDERS AND PLATFORM-TRACTOR SP	222
FENDERS AND PLATFORM-TRACTOR FP - AP	223
FENDERS AND PLATFORM-TRACTOR GE	224
SEAT	225
SEAT-CHASSIS AND SUSPENSION	226
SAFETY FRAME-TRACTOR SP - FP - GE	227
SAFETY FRAME-TRACTORT AP	228
ROTATING LIGHT	229
WEIGHT FRAME AND WEIGHTS W	230
HITCH CONNECTIONS-WITHOUT HITCH	231
REAR HOOK	232
DRAWBAR-HEAVY DUTY	233
REAR HOOK-STANDARD TYPE	234
REAR HOOK-TRACTOR FP - AP - H	235
TOOL KIT	236
SEALERS AND LIQUID GASKETS ADHESIES	237
HEATER KIT-COLD CLIMATE	238
REDUCER OPTION-SHUTTLE AND CREEPER VERSION KIT	239
REDUCER OPTION-UNDERDRIVE AND SHUTTLE VERSION KIT	240
REDUCER OPTION-OVERDRIVE AND SHUTTLE VERSION KIT	241
REDUCER OPTION-OVERDRIVE AND SHUTTLE VERSION KIT	242
REDUCER OPTION-OVERDRIVE AND CREEPER VERSION KIT	243
REDUCER OPTION-SHUTTLE AND CREEPER VERSION KIT	244
AUXILIARY HYDRAULIC VALVE LINES KIT-KIT FOR 1.0 DISTRIBUTOR - HIDROIRMA	245
AUXILIARY HYDRAULIC VALVE LINES KIT-KIT FOR 2.0 DISTRIBUTOR - HIDROIRMA	246
AUXILIARY HYDRAULIC VALVE LINES KIT-KIT FOR 2.0 DISTRIBUTOR - HIDROIRMA	247
AUXILIARY HYDRAULIC VALVE LINES KIT-KIT FOR 3.0 DISTRIBUTOR - HIDROIRMA	248
AUXILIARY HYDRAULIC VALVE LINES KIT-KIT FOR 2.0 DISTRIBUTOR - HIDROIRMA	249
AUXILIARY HYDRAULIC VALVE LINES KIT-KIT FOR 2.0 DISTRIBUTOR - TILL	250
AUXILIARY HYDRAULIC VALVE LINES KIT-KIT FOR 2.0 DISTRIBUTOR - TILL	251
AUXILIARY HYDRAULIC VALVE LINES KIT-KIT FOR 2.0 DISTRIBUTOR - TILL	252
AUXILIARY HYDRAULIC VALVE LINES KIT-KIT FOR 3.0 DISTRIBUTOR - TILL	253
AUXILIARY HYDRAULIC VALVE LINES KIT-KIT FOR 3.0 DISTRIBUTOR - TILL	254
AUXILIARY HYDRAULIC VALVE LINES KIT-WITH AUXILIARY HYDRAULIC VALVE CLEARANCE	255
KIT FRONT FENDERS-4 WHEELS DRIVE	256
KIT HOOK PULL	257
KIT HOOK PULL-TRACTOR FP - AP	258



Thank you so much for reading.
Please click the “Buy Now!”
button below to download the
complete manual.



After you pay.

You can download the most
perfect and complete manual in
the world immediately.

Our support email:

ebooklibonline@outlook.com