

Page Title	Page Number
ENGINE ASSEMBLY-T3.152.4 ENGINE	1
SHORT ENGINE-TABLE PK ACEC9107	2
CYLINDER BLOCK-T3.152.4 ENGINE	3
CRANKSHAFT, PISTONS AND CONNECTING RODS-T3.152.4 ENGINE	4
CYLINDER HEAD-T3.152.4 ENGINE	5
ROCKER SHAFT-T3.152.4 ENGINE	6
TIMING GEAR AND CAMSHAFT-T3.152.4 ENGINE	7
FUEL INJECTION EQUIPMENT-T3.152.4 ENGINE	8
LUBRICATING OIL SUMP-T3.152.4 ENGINE	9
LUBRICATING OIL FILTER AND INTEGRAL COOLER-T3.152.4 ENGINE	10
WATER PUMP, THERMOSTAT AND HEAT EXCHANGER-T3.152.4 ENGINE	11
FUEL SYSTEM AND FILTER-T3.152.4 ENGINE	12
TURBOCHARGER-T3.152.4 ENGINE	13
TURBOCHARGER-T3.152.4 ENGINE	14
TURBOCHARGER-T3.152.4 ENGINE	15
ALTERNATOR POSITIONER-T3.152.4 ENGINE	16
JOINTS AND GASKETS-T3.152.4 ENGINE	17
HEATER KIT-COLD CLIMATE	18
ALTERNATOR-ISKRA TYPE	19
ALTERNATOR	20
ALTERNATOR-VALEO TYPE	21
STARTER MOTOR-PERKINS TYPE (MARELLI)	22
STARTER MOTOR-BOSCH	23
STARTER MOTOR-ISKRA TYPE	24
COOLING SYSTEM-FAN AND HOSES	25
COOLING SYSTEM-RADIATOR AND BRACKET	26
FUEL SYSTEM	27
FUEL TANK-TRACTOR 364 GE	28
FUEL TANK-TRACTOR 364 SP	29
FUEL TANK-TRACTOR 364 FP	30
FUEL TANK-TRACTOR 364 AP	31
DRY AIR FILTER-DRY AIR CLEANER	32
EXHAUST SYSTEM-TRACTOR 364 GE	33
EXHAUST SYSTEM-TRACTOR 364 SP	34
EXHAUST SYSTEM-TRACTOR 364 FP	35
EXHAUST SYSTEM-TRACTOR 364 AP	36
EXHAUST SYSTEM-TRACTOR 364 SP - 364 FP - 364 AP	37
THROTTLE CONTROLS-TRACTOR 364 SP - 364 FP - 364 GE	38
THROTTLE CONTROLS-TRACTOR 364 AP	39
INSTRUMENT PANEL	40
INSTRUMENT PANEL	41
INSTRUMENT PANEL-WITH ELECTRONIC LIFT - NOT INCLUDED TRACTOR	42
ELECTRICAL WIRING-REAR - TRACTOR SP - FP - AP - GE	43
ELECTRICAL WIRING-FRONT - TRACTOR SP - FP - AP	44
ELECTRICAL WIRING-FRONT - TRACTOR GE	45
ELECTRICAL WIRING-TRACTOR SP - FP - AP	46
ELECTRICAL WIRING-TRACTOR SP - FP - AP	47
ELECTRICAL WIRING-TRACTOR SP - FP - AP	48
BATTERY	49
LIGHTING EQUIPMENT-TRACTOR SP - FP - AP - GE	50
LIGHTING EQUIPMENT	51
CLUTCH PEDAL AND LINKAGE-TRACTOR SP - FP - GE - H	52
CLUTCH PEDAL AND LINKAGE-TRACTORT AP	53
CLUTCH-O.M.G. - 11	54
CLUTCH-LUK - 11	55
LOWER CLUTCH P.T.O.-TRACTOR SP - FP - GE - H	56
LOWER CLUTCH P.T.O.-TRACTORT AP	57
CENTRE AXLE HOUSING AND TRANSMISSION HOUSING-WITHOUT OPTIONS (EXPORT ONLY)	58
CENTRE AXLE HOUSING AND TRANSMISSION HOUSING-FOR OPTIONS VERSION ONLY	59
CENTRE AXLE HOUSING AND TRANSMISSION HOUSING	60
CENTRE AXLE HOUSING AND TRANSMISSION HOUSING-TRACTORT AP	61
TRANSMISSION	62
TRANSMISSION-TRACTORT AP	63
TRANSMISSION	64
SHIFT LEVERS-TRACTOR SP - FP - AP - H	65
SHIFT LEVERS-TRACTOR GE	66

TABLE OF CONTENT

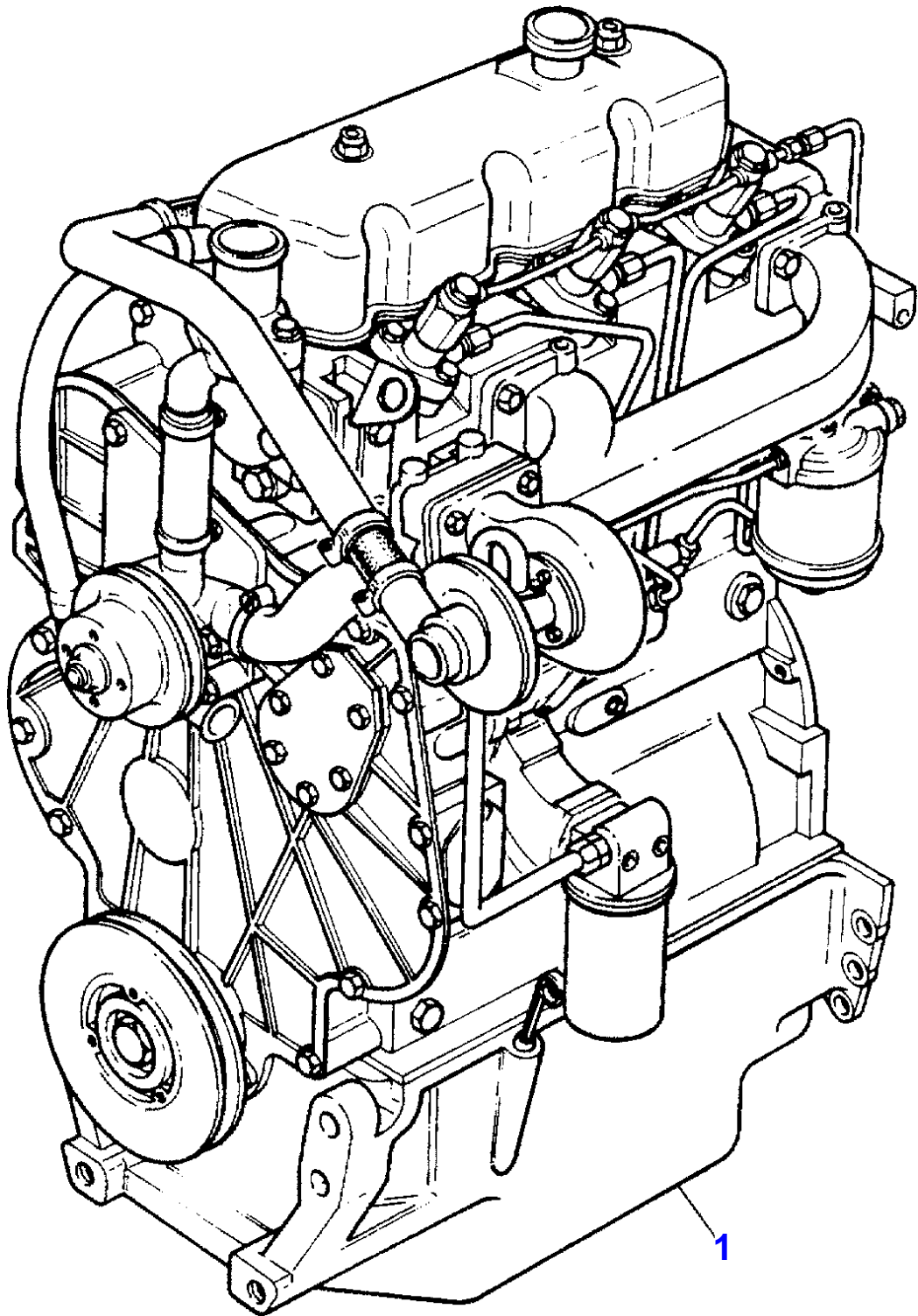
GEAR BOX	67
REDUCER OPTION-FOR SHUTTLE VERSION ONLY: TRACTOR SP - FP - GE	68
REDUCER OPTION-FOR SHUTTLE VERSION ONLY : TRACTOR AP	69
GEAR BOX-FOR SHUTTLE VERSION ONLY.	70
GEAR BOX-FOR SPECIAL OPTIONS VERSION ONLY	71
REDUCER OPTION-OVERDRIVE AND SHUTTLE VERSION	72
REDUCER OPTION-OVERDRIVE AND SHUTTLE VERSION	73
REDUCER OPTION-OVERDRIVE AND CREEPER VERSION	74
REDUCER OPTION-OVERDRIVE AND CREEPER VERSION	75
REDUCER OPTION-OVERDRIVE AND UNDERDRIVE VERSION	76
REDUCER OPTION-OVERDRIVE AND UNDERDRIVE VERSION	77
REDUCER OPTION-UNDERDRIVE AND SHUTTLE VERSION	78
REDUCER OPTION-UNDERDRIVE AND SHUTTLE VERSION	79
REDUCER OPTION-UNDERDRIVE E CREEPER VERSION	80
REDUCER OPTION-UNDERDRIVE E CREEPER VERSION	81
REDUCER OPTION-SHUTTLE AND CREEPER VERSION	82
REDUCER OPTION-SHUTTLE AND CREEPER VERSION	83
PTO SHAFT-STANDARD - TRACTOR SP - GE	84
PTO SHAFT-STANDARD - TRACTOR FP - H	85
PTO SHAFT-STANDARD - TRACTOR AP	86
PTO SHAFT-540/750/1000 R.P.M.- TRACTOR SP - GE	87
PTO SHAFT-540/750/1000 R.P.M.- TRACTOR FP - H	88
PTO SHAFT-540/750/1000 R.P.M.- TRACTOR AP	89
PTO-CONTROL-TRACTOR SP - GE	90
PTO-CONTROL-TRACTOR FP - AP - H	91
PTO-CONTROL-540/750/1000 R.P.M.- TRACTOR SP - GE	92
PTO-CONTROL-540/750/1000 R.P.M.- TRACTOR FP - AP - H	93
TRANSFER GEAR BOX AND DRIVE SHAFT:-TRACTOR 364 SP - FP	94
TRANSFER GEAR BOX AND DRIVE SHAFT:-TRACTOR 364 AP	95
TRANSFER GEAR BOX AND DRIVE SHAFT:-TRACTOR 364 GE	96
4 WHEEL DRIVE CONTROLS	97
REAR AXLE	98
REAR AXLE-TRACTOR 364 SP	99
REAR AXLE-TRACTOR 364 FP - 364 AP	100
REAR AXLE-TRACTOR 364 GE	101
DIFFERENTIAL LOCK CONTROLS-MECHANICAL CONTROL	102
DIFFERENTIAL LOCK CONTROLS-HYDRAULIC CONTROL	103
DIFFERENTIAL LOCK CONTROLS-HYDRAULIC CONTROL	104
BRAKE AND CONTROLS-PEDALS	105
BRAKE AND CONTROLS-PIPINGS	106
BRAKE AND CONTROLS-DEVICE CONTROL	107
BRAKES	108
MASTER CYLINDER-BRAKE PUMP	109
BRAKE CYLINDER	110
TRAILER BRAKES-TRACTOR 364 SP - 364 FP - 364 AP	111
TRAILER BRAKES-TRACTOR 364 SP - 364 FP - 364 AP	112
REAR WHEELS-TRACTOR 364 SP	113
REAR WHEELS-TRACTOR 364 FP - 364 AP	114
REAR WHEELS-TRACTOR GE	115
FRONT WHEELS-TRACTOR 364 FP - 364 AP	116
FRONT WHEELS-TRACTOR 364 SP	117
FRONT WHEELS-TRACTOR 364 GE	118
FRONT AXLE 2 WHEEL DRIVE-TRACTOR FP - AP	119
FRONT AXLE 2 WHEEL DRIVE-TRACTOR SP - GE	120
FRONT AXLE 4 WHEEL DRIVE	121
FRONT AXLE 4 WHEEL DRIVE	122
FRONT AXLE 4 WHEEL DRIVE-TRACTOR SP	123
FRONT AXLE 4 WHEEL DRIVE-TRACTOR FP - AP	124
FRONT AXLE 4 WHEEL DRIVE-TRACTOR GE	125
FRONT AXLE 4 WHEEL DRIVE-TRACTOR SP	126
FRONT AXLE 4 WHEEL DRIVE-TRACTOR FP - AP	127
FRONT AXLE 4 WHEEL DRIVE-TRACTOR GE	128
FRONT AXLE 4 WHEEL DRIVE-TYPE NO-SPIN	129
FRONT AXLE 4 WHEEL DRIVE-TYPE STANDARD	130
FRONT AXLE 4 WHEEL DRIVE-TYPE HYDROLOCK	131
FRONT AXLE 4 WHEEL DRIVE-PINION SET AND SIDE SHAFT	132
FRONT AXLE 4 WHEEL DRIVE-PINION SET AND SIDE SHAFT	133
FRONT AXLE 4 WHEEL DRIVE-PINION SET AND SIDE SHAFT	134

TABLE OF CONTENT

FRONT AXLE 4 WHEEL DRIVE-HOUSINGS AND STEERING CYLINDER	135
FRONT AXLE 4 WHEEL DRIVE-FINAL REDUCER AND WHELL HUB	136
FRONT AXLE 4 WHEEL DRIVE-WITH DIFFERENTIAL NO-SPIN AND STANDARD	137
FRONT AXLE 4 WHEEL DRIVE-WITH DIFFERENTIAL HYDROLOCK	138
STEERING HYDRAULIC LINES	139
STEERING HYDRAULIC LINES-TRACTOR SP - FP - GE	140
STEERING HYDRAULIC LINES-TRACTORT AP	141
STEERING ORBITROL UNIT-2 WHEE DRIVE	142
STEERING ORBITROL UNIT-4 WHEELS DRIVE	143
STEERING-PUMP-TUROLLA	144
STEERING-PUMP-BOSCH	145
STEERING CYLINDER-TRACTOR SP - GE	146
STEERING CYLINDER-TRACTOR FP - AP - H	147
STEERING CYLINDER	148
HYDRAULIC EQUIPMENT-TRACTOR SP - FP - GE	149
HYDRAULIC EQUIPMENT-TRACTORT AP	150
HYDRAULIC EQUIPMENT-TRACTOR SP - FP - GE	151
HYDRAULIC EQUIPMENT-TRACTORT AP	152
HYDRAULIC EQUIPMENT-TRACTOR SP - FP - GE	153
HYDRAULIC EQUIPMENT-TRACTORT AP	154
AUXILIARY HYDRAULIC VALVE LINES-WITH AUXILIARY HYDRAULIC VALVE CLEARANCE	155
HYDRAULIC PUMP-TUROLLA	156
HYDRAULIC PUMP-BOSCH	157
HYDRAULIC PUMP-CESSNA	158
HYDRAULIC PUMP-BOSCH	159
HYDRAULIC PUMP-TUROLLA	160
HYDRAULIC LIFT VALVE-WITH MECANICS RISER	161
HYDRAULIC LIFT	162
HYDRAULIC LIFT-TRACTOR SP - GE	163
HYDRAULIC LIFT-TRACTOR FP - AP	164
HYDRAULIC LIFT-TRACTOR SP	165
HYDRAULIC LIFT-TRACTOR FP - AP	166
ELECTRICAL WIRING-FOR ELECTRONIC LIFT	167
HYDRAULIC LIFT VALVE-FOR ELECTRONIC LIFT	168
ELECTRICAL WIRING-CONTROL PANEL ELECTRONIC LIFT	169
ELECTRICAL WIRING-CONTROL PANEL ELECTRONIC LIFT	170
MECHANICAL CONTROL LIFT-TRACTOR SP	171
MECHANICAL CONTROL LIFT-TRACTOR GE	172
MECHANICAL CONTROL LIFT-TRACTOR FP - AP	173
MECHANICAL CONTROL LIFT-TRACTOR FP - AP	174
MECHANICAL CONTROL LIFT-TRACTOR SP	175
MECHANICAL CONTROL LIFT-TRACTOR SP - FP - AP	176
MECHANICAL CONTROL LIFT-TRACTOR GE	177
HYDRAULIC LIFT CYLINDER-HYDRAULIC LIFT CYLINDER,WITH 1'AND 2'AUXIL.HYD	178
HYDRAULIC LIFT CYLINDER-HYDRAULIC LIFT CYLINDER,WITH 3AND 4 AUXIL.HYDR	179
AUXILIARY HYDRAULIC VALVE LINES-WITH 1.O DISTRIBUTOR	180
AUXILIARY HYDRAULIC VALVE LINES-WITH 2.O DISTRIBUTORES	181
AUXILIARY HYDRAULIC VALVE LINES-WITH 3.O DISTRIBUTORES	182
AUXILIARY HYDRAULIC VALVE LINES-TRACTOR FP-AP-H ,WITH N.4 HYDRA. VALVE	183
CONTROLS ,AUXILIARY HYDRAULICS-WITH 1.O DISTRIBUTOR	184
CONTROLS ,AUXILIARY HYDRAULICS-WITH 2.O DISTRIBUTORES	185
CONTROLS ,AUXILIARY HYDRAULICS-WITH 3.O DISTRIBUTORES	186
CONTROLS ,AUXILIARY HYDRAULICS-TRACTOR FP - AP - H	187
PLATE FOR AUXILIARY HYDRAULIC VALVE-HIDROIRMA TYPE.	188
AUXILIARY HYDRAULICS VALVE STANDARD-HYDROIRMA TYPE STANDARD	189
AUXILIARY HYDRAULICS VALVE STANDARD-HYDROIRMA TYPE STANDARD	190
AUXILIARY HYDRAULICS FLOATING-HYDROIRMA TYPE FLOATING	191
AUXILIARY HYDRAULICS FLOATING-HYDROIRMA TYPE FLOATING	192
AUXILIARY HYDRAULIC VALVE LINES-WITH 1.O DISTRIBUTOR	193
AUXILIARY HYDRAULIC VALVE LINES-WITH 2.O DISTRIBUTORES	194
AUXILIARY HYDRAULIC VALVE LINES-TRACTOR FP-AP-H ,WITH N.3 HYDRA. VALVE	195
CONTROLS ,AUXILIARY HYDRAULICS-WITH 1.O DISTRIBUTOR	196
CONTROLS ,AUXILIARY HYDRAULICS-WITH 2.O DISTRIBUTORES	197
CONTROLS ,AUXILIARY HYDRAULICS-TRACTOR FP-AP-H ,WITH N.3 HYDRA. VALVE	198
AUXILIARY HYDRAULICS VALVE-TILL TYPE STANDARD	199
AUXILIARY HYDRAULICS VALVE-TILL TYPE FLOATING	200
ACCESSORIES HYDRAULIC-ADDITIONAL POWER OUTLET UNIT	201
LINKAGE-STANDARD VERSION	202

TABLE OF CONTENT

LINKAGE-STANDARD VERSION	203
LINKAGE-TRACTOR SP	204
LINKAGE-NOT INCLUDED GE TRACTOR	205
LINKAGE-TRACTOR GE	206
LINKAGE-NOT INCLUDED GE TRACTOR	207
LINKAGE-TRACTOR GE	208
LINKAGE	209
LINKAGE-MECANICS LIFT CYLINDER RIGTH	210
LINKAGE-TRACTOR FP - AP	211
LINKAGE-TRACTOR FP - AP	212
SHEET METAL	213
SHEET METAL-TRACTOR SP - FP - GE	214
SHEET METAL-TRACTORT AP	215
COOLING SYSTEM-SHIELD FAN	216
SHEET METAL-TRACTOR SP - FP - GE	217
SHEET METAL-TRACTORT AP	218
DECALS	219
DECALS	220
DECALS	221
DECALS	222
DECALS	223
FENDERS - FRONT-4 WHEELS DRIVE	224
FENDERS AND PLATFORM-TRACTOR SP	225
FENDERS AND PLATFORM-TRACTOR FP - AP	226
FENDERS AND PLATFORM-TRACTOR GE	227
SEAT	228
SEAT-CHASSIS AND SUSPENSION	229
SAFETY FRAME-TRACTOR SP - FP - GE	230
SAFETY FRAME-TRACTORT AP	231
ROTATING LIGHT	232
WEIGHT FRAME AND WEIGHTS W	233
HITCH CONNECTIONS-WITHOUT HITCH	234
REAR HOOK	235
DRAWBAR-HEAVY DUTY	236
REAR HOOK-STANDARD TYPE	237
REAR HOOK-TRACTOR FP - AP - H	238
TOOL KIT	239
SEALERS AND LIQUID GASKETS ADHESIES	240
HEATER KIT-COLD CLIMATE	241
REDUCER OPTION-SHUTTLE AND CREEPER VERSION KIT	242
REDUCER OPTION-UNDERDRIVE AND SHUTTLE VERSION KIT	243
REDUCER OPTION-OVERDRIVE AND SHUTTLE VERSION KIT	244
REDUCER OPTION-OVERDRIVE AND SHUTTLE VERSION KIT	245
REDUCER OPTION-OVERDRIVE AND CREEPER VERSION KIT	246
REDUCER OPTION-SHUTTLE AND CREEPER VERSION KIT	247
KIT TRAILOR BRAKE LINES-TRACTOR SP - FP - AP	248
AUXILIARY HYDRAULIC VALVE LINES KIT-KIT FOR 2.0 DISTRIBUTOR - HIDROIRMA	249
AUXILIARY HYDRAULIC VALVE LINES KIT-KIT FOR 2.0 DISTRIBUTOR - HIDROIRMA	250
AUXILIARY HYDRAULIC VALVE LINES KIT-KIT FOR 3.0 DISTRIBUTOR - HIDROIRMA	251
AUXILIARY HYDRAULIC VALVE LINES KIT-KIT FOR 2.0 DISTRIBUTOR - HIDROIRMA	252
AUXILIARY HYDRAULIC VALVE LINES KIT-KIT FOR 2.0 DISTRIBUTOR - TILL	253
AUXILIARY HYDRAULIC VALVE LINES KIT-KIT FOR 2.0 DISTRIBUTOR - TILL	254
AUXILIARY HYDRAULIC VALVE LINES KIT-KIT FOR 2.0 DISTRIBUTOR - TILL	255
AUXILIARY HYDRAULIC VALVE LINES KIT-KIT FOR 3.0 DISTRIBUTOR - TILL	256
AUXILIARY HYDRAULIC VALVE LINES KIT-KIT FOR 3.0 DISTRIBUTOR - TILL	257
AUXILIARY HYDRAULIC VALVE LINES KIT-WITH AUXILIARY HYDRAULIC VALVE CLEARANCE	258
KIT FRONT FENDERS-4 WHEELS DRIVE	259
KIT HOOK PULL	260
KIT HOOK PULL-TRACTOR FP - AP	261



Thank you so much for reading.
Please click the “Buy Now!”
button below to download the
complete manual.



After you pay.

You can download the most
perfect and complete manual in
the world immediately.

Our support email:

ebooklibonline@outlook.com