

Page Title	Page Number
ENGINE ASSEMBLY-AD3.152 ENGINE	1
SHORT ENGINE-TABLE PK ACEC9106	2
CYLINDER BLOCK-AD3.152 ENGINE	3
CRANKSHAFT, PISTONS AND CONNECTING RODS-AD3.152 ENGINE	4
CYLINDER HEAD-AD3.152 ENGINE	5
ROCKER SHAFT-AD3.152 ENGINE	6
TIMING GEAR AND CAMSHAFT-AD3.152 ENGINE	7
FUEL INJECTION EQUIPMENT-AD3.152 ENGINE	8
LUBRICATING OIL SUMP-AD3.152 ENGINE	9
LUBRICATING OIL FILTER AND INTEGRAL COOLER-AD3.152 ENGINE	10
WATER PUMP, THERMOSTAT AND HEAT EXCHANGER-AD3.152 ENGINE	11
FUEL SYSTEM AND FILTER-AD3.152 ENGINE	12
AIR INDUCTION AND EXHAUST SYSTEM	13
ALTERNATOR POSITIONER-AD3.152 ENGINE	14
JOINTS AND GASKETS-AD3.152 ENGINE	15
ALTERNATOR-LUCAS	16
ALTERNATOR-VALEO TYPE	17
ALTERNATOR-ISKRA TYPE	18
STARTER MOTOR-PERKINS TYPE (MARELLI)	19
STARTER MOTOR-BOSCH	20
STARTER MOTOR-ISKRA TYPE	21
COOLING SYSTEM-FAN AND HOSES	22
COOLING SYSTEM-RADIATOR AND BRACKET	23
COOLING SYSTEM-SHIELD FAN	24
FUEL SYSTEM	25
FUEL TANK	26
DRY AIR FILTER-DRY AIR CLEANER	27
EXHAUST SYSTEM	28
THROTTLE CONTROLS	29
THROTTLE CONTROLS	30
INSTRUMENT PANEL	31
INSTRUMENT PANEL	32
BATTERY	33
ELECTRONIC HARNESS	34
ELECTRICAL WIRING-FRONT	35
ELECTRICAL WIRING-REAR	36
LIGHTING EQUIPMENT	37
LIGHTING EQUIPMENT-LIGHTS	38
CLUTCH-O.M.G. - 11	39
CLUTCH-LUK - 11	40
CLUTCH PEDAL AND LINKAGE	41
LOWER CLUTCH P.T.O.	42
CENTRE AXLE HOUSING AND TRANSMISSION HOUSING	43
CENTRE AXLE HOUSING AND TRANSMISSION HOUSING	44
TRANSMISSION	45
TRANSMISSION	46
SHIFT LEVERS	47
GEAR BOX	48
REDUCER OPTION-FOR SHUTTLE VERSION ONLY.	49
GEAR BOX-FOR SHUTTLE VERSION ONLY.	50
GEAR BOX-FOR SPECIAL OPTIONS VERSION ONLY	51
REDUCER OPTION-OVERDRIVE AND SHUTTLE VERSION	52
REDUCER OPTION-OVERDRIVE AND UNDERDRIVE VERSION	53
REDUCER OPTION-OVERDRIVE AND CREEPER VERSION	54
REDUCER OPTION-UNDERDRIVE AND SHUTTLE VERSION	55
REDUCER OPTION-UNDERDRIVE E CREEPER VERSION	56
REDUCER OPTION-SHUTTLE AND CREEPER VERSION	57
PTO SHAFT-STANDARD TYPE	58
PTO SHAFT-540/750/1000 R.P.M.	59
PTO-CONTROL-STANDARD TYPE	60
PTO-CONTROL-540/750/1000 R.P.M.	61
TRANSFER GEAR BOX AND DRIVE SHAFT:	62
4 WHEEL DRIVE CONTROLS	63
REAR AXLE	64
REAR AXLE	65
DIFFERENTIAL LOCK CONTROLS	66

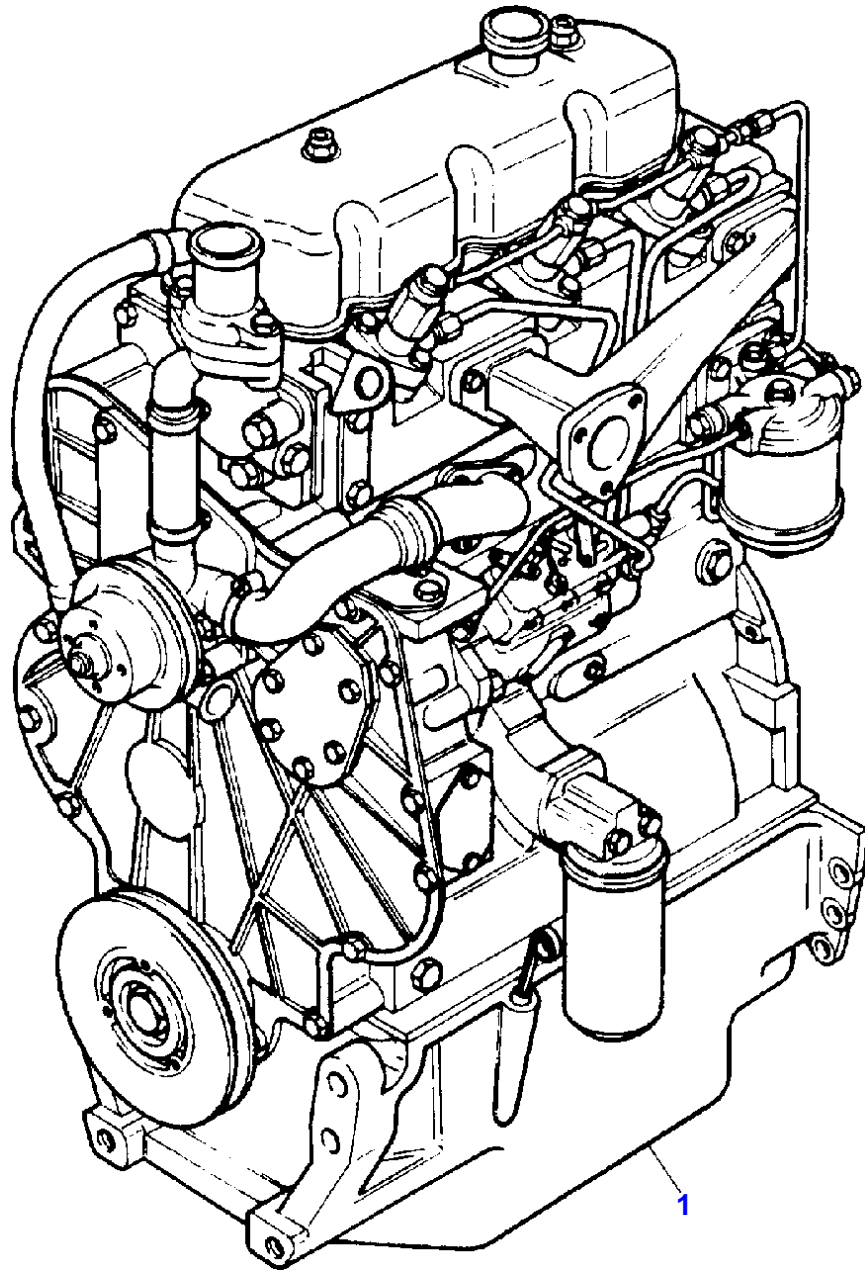
TABLE OF CONTENT

DIFFERENTIAL LOCK CONTROLS	67
BRAKE AND CONTROLS-PEDALS	68
BRAKE AND CONTROLS-PIPINGS	69
BRAKE AND CONTROLS	70
BRAKES	71
MASTER CYLINDER-BRAKE PUMP	72
BRAKE CYLINDER	73
TRAILER BRAKES-FRANCE TYPE	74
REAR WHEELS	75
FRONT WHEELS	76
FRONT AXLE 2 WHEEL DRIVE	77
FRONT AXLE 4 WHEEL DRIVE-WITH DISCBRAKES	78
FRONT AXLE 4 WHEEL DRIVE-WITH DISCBRAKES	79
FRONT AXLE 4 WHEEL DRIVE-WITH FRONT BRAKING	80
FRONT AXLE 4 WHEEL DRIVE-WITH FRONT BRAKING	81
FRONT AXLE 4 WHEEL DRIVE	82
FRONT AXLE 4 WHEEL DRIVE-WITH DISCBRAKES	83
STEERING HYDRAULIC LINES	84
STEERING HYDRAULIC LINES	85
STEERING ORBITROL UNIT-2 WHEEL DRIVE	86
STEERING ORBITROL UNIT-4 WHEELS DRIVE	87
STEERING-PUMP-TUROLLA	88
STEERING-PUMP-BOSCH	89
STEERING CYLINDER	90
STEERING CYLINDER	91
HYDRAULIC EQUIPMENT-HIDRAULIC LINES STD.	92
HYDRAULIC EQUIPMENT-HIDRAULIC LINES STD.	93
HYDRAULIC EQUIPMENT-SINGLE HYDRAULIC LINES	94
HYDRAULIC EQUIPMENT-SINGLE HYDRAULIC LINES	95
HYDRAULIC PUMP-TUROLLA	96
HYDRAULIC PUMP-BOSCH	97
HYDRAULIC PUMP-BOSCH	98
HYDRAULIC PUMP-CESSNA	99
HYDRAULIC LIFT-WITH ELECTRONIC LIFT	100
HYDRAULIC LIFT-WITH ELECTRONIC LIFT	101
ELECTRICAL WIRING-WITH ELECTRONIC LIFT	102
ELECTRICAL WIRING	103
ELECTRICAL WIRING	104
HYDRAULIC LIFT VALVE-BOSCH	105
AUXILIARY HYDRAULIC VALVE LINES	106
AUXILIARY HYDRAULIC VALVE LINES	107
HYDRAULIC LIFT CYLINDER-RIGHT-HAND LIFT ROD LEVELLING BOX	108
HYDRAULIC LIFT CYLINDER-RIGHT-HAND LIFT ROD LEVELLING BOX	109
HYDRAULICS AND LINKAGE-HYDRAULIQUE CONTROL	110
AUXILIARY HYDRAULIC VALVE LINES-SALAMI TYPE	111
AUXILIARY HYDRAULIC VALVE LINES-SALAMI TYPE	112
AUXILIARY HYDRAULIC VALVE LINES-SALAMI TYPE	113
AUXILIARY HYDRAULIC VALVE LINES-SALAMI TYPE	114
AUXILIARY HYDRAULIC VALVE LINES-SALAMI TYPE	115
AUXILIARY HYDRAULIC VALVE LINES-SALAMI TYPE	116
AUXILIARY HYDRAULIC VALVE LINES	117
AUXILIARY HYDRAULICS VALVE STANDARD-SALAMI TYPE	118
AUXILIARY HYDRAULICS VALVE STANDARD-SALAMI TYPE	119
AUXILIARY HYDRAULICS FLOATING-SALAMI TYPE	120
AUXILIARY HYDRAULICS FLOATING-SALAMI TYPE	121
AUXILIARY HYDRAULICS VALVE KICK-OUT-SALAMI TYPE	122
AUXILIARY HYDRAULICS VALVE KICK-OUT-SALAMI TYPE	123
AUXILIARY VALVE FOR HYDRAULIC ENGINE-SALAMI TYPE	124
AUXILIARY VALVE FOR HYDRAULIC ENGINE-SALAMI TYPE	125
PLATE FOR AUXILIARY HYDRAULIC VALVE-SALAMI TYPE	126
HOLDING FIXTUR COVER AUXILIARY HYDRAULIC VALVE.-SALAMI TYPE	127
LINKAGE	128
LINKAGE	129
LINKAGE-QUICK ATTACH	130
LINKAGE-QUICK ATTACH	131
LINKAGE-QUICK ATTACH	132
SHEET METAL	133
SHEET METAL	134

TABLE OF CONTENT

00

SHEET METAL	135
SHEET METAL	136
SHEET METAL	137
DECALS	138
DECALS	139
DECALS	140
SUPPORTS PLATFORM	141
SUPPORTS PLATFORM	142
FENDERS AND SUPPORTS	143
FENDERS - FRONT	144
SEAT	145
SEAT	146
SEAT	147
SEAT	148
SEAT	149
TRACTOR CAB	150
TRACTOR CAB-FRONT - WINDSCREEN	151
TRACTOR CAB-LOWER FIXED COMPONENTS	152
TRACTOR CAB	153
TRACTOR CAB-LEFT SIDE - RIGHT SIDE	154
TRACTOR CAB-REAR AND BRACKET	155
TRACTOR CAB-OUTSIDE AND INTERNAL	156
ROTATING LIGHT	157
WEIGHT FRAME AND WEIGHTS W	158
REAR HOOK	159
REAR HOOK	160
REAR HOOK-STANDARD TYPE	161
DRAWBAR-HEAVY DUTY	162
TOOL KIT	163



MASSEY FERGUSON

MF 354 VQ TRACTOR, CAB, |-> 01/07/94 - 3540275

3540275

ENGINE ASSEMBLY-AD3.152 ENGINE

1

Item	Part Number	Qty	Description	Comments
1	3553118M91	1	Engine	[A] "CE31197"
1	3553128M91	1	Engine	[B] "CE31212"
				[A] STD.HYDRAULIC LINES
				[B] SINGLE HYDRAULIC LINES

Thank you so much for reading.
Please click the “Buy Now!”
button below to download the
complete manual.



After you pay.

You can download the most
perfect and complete manual in
the world immediately.

Our support email:

ebooklibonline@outlook.com