

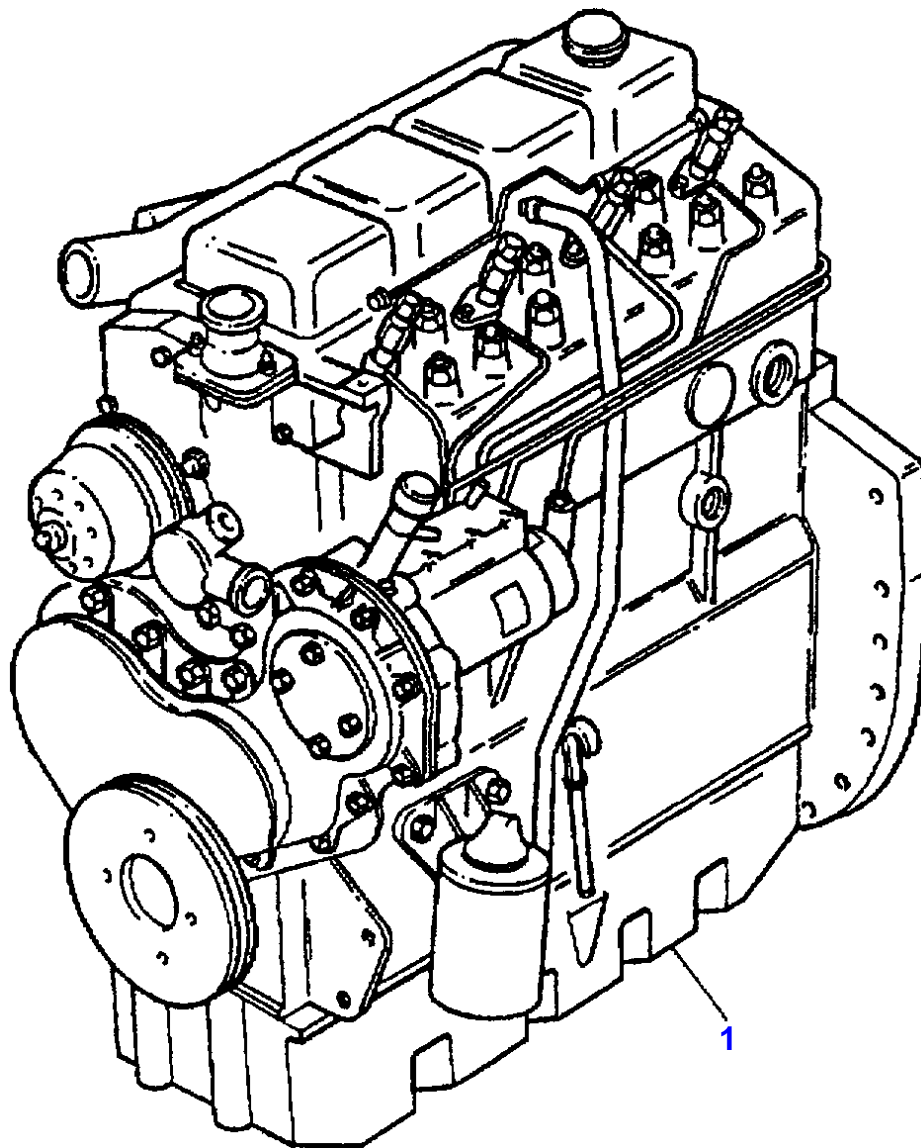
Page Title	Page Number
ENGINE ASSEMBLY-A4.236 ENGINE	1
SHORT ENGINE-A4.236 ENGINE	2
CYLINDER BLOCK-A4.236 ENGINE	3
CRANKSHAFT, PISTONS AND CONNECTING RODS-A4.236 ENGINE	4
CYLINDER HEAD-A4.236 ENGINE	5
ROCKER SHAFT-A4.236 ENGINE	6
TIMING GEAR AND CAMSHAFT-A4.236 ENGINE	7
BALANCER UNIT-A4.236 ENGINE	8
FUEL INJECTION EQUIPMENT-A4.236 ENGINE	9
LUBRICATING OIL SUMP-A4.236 ENGINE	10
LUBRICATING OIL FILTER AND INTEGRAL COOLER-A4.236 ENGINE	11
WATER PUMP, THERMOSTAT AND HEAT EXCHANGER-A4.236 ENGINE	12
FUEL SYSTEM AND FILTER-A4.236 ENGINE	13
AIR INDUCTION AND EXHAUST SYSTEM-A4.236 ENGINE	14
ALTERNATOR POSITIONER-A4.236 ENGINE	15
JOINTS AND GASKETS-A4.236 ENGINE	16
LUBRICATING OIL COOLER AND FILTER-A4.236 ENGINE	17
ALTERNATOR	18
ALTERNATOR-VALEO TYPE	19
ALTERNATOR-ISKRA TYPE	20
STARTER MOTOR-MARELLI TYPE	21
STARTER MOTOR-BOSCH	22
STARTER MOTOR-ISKRA TYPE	23
COOLING SYSTEM-FAN AND HOSES	24
COOLING SYSTEM-FAN AND HOSES	25
COOLING SYSTEM-RADIATOR AND BRACKET	26
COOLING SYSTEM-SHIELD FAN	27
FUEL SYSTEM	28
FUEL TANK	29
DRY AIR FILTER-DRY AIR CLEANER	30
EXHAUST SYSTEM	31
EXHAUST SYSTEM	32
THROTTLE CONTROLS	33
THROTTLE CONTROLS	34
INSTRUMENT PANEL	35
INSTRUMENT PANEL	36
BATTERY	37
ELECTRONIC HARNESS	38
ELECTRICAL WIRING-FRONT	39
ELECTRICAL WIRING-REAR	40
LIGHTING EQUIPMENT	41
LIGHTING EQUIPMENT-LIGHTS	42
CLUTCH-O.M.G. - 11	43
CLUTCH-LUK - 11	44
CLUTCH-O.M.G. - 12	45
CLUTCH-LUK - 12	46
CLUTCH PEDAL AND LINKAGE	47
LOWER CLUTCH P.T.O.	48
CENTRE AXLE HOUSING AND TRANSMISSION HOUSING	49
CENTRE AXLE HOUSING AND TRANSMISSION HOUSING	50
TRANSMISSION	51
TRANSMISSION	52
SHIFT LEVERS	53
GEAR BOX	54
REDUCER OPTION-FOR SHUTTLE VERSION ONLY.	55
GEAR BOX-FOR SHUTTLE VERSION ONLY.	56
GEAR BOX-FOR SPECIAL OPTIONS VERSION ONLY	57
REDUCER OPTION-OVERDRIVE AND SHUTTLE VERSION	58
REDUCER OPTION-OVERDRIVE AND UNDERDRIVE VERSION	59
REDUCER OPTION-OVERDRIVE AND CREEPER VERSION	60
REDUCER OPTION-UNDERDRIVE AND SHUTTLE VERSION	61
REDUCER OPTION-UNDERDRIVE E CREEPER VERSION	62
REDUCER OPTION-SHUTTLE AND CREEPER VERSION	63
PTO SHAFT-STANDARD TYPE	64
PTO SHAFT-540/750/1000 R.P.M.	65
PTO-CONTROL-STANDARD TYPE	66

TABLE OF CONTENT

PTO-CONTROL-540/750/1000 R.P.M.	67
TRANSFER GEAR BOX AND DRIVE SHAFT:	68
4 WHEEL DRIVE CONTROLS	69
REAR AXLE	70
REAR AXLE	71
DIFFERENTIAL LOCK CONTROLS	72
DIFFERENTIAL LOCK CONTROLS	73
BRAKE AND CONTROLS-PEDALS	74
BRAKE AND CONTROLS-PIPINGS	75
BRAKE AND CONTROLS	76
BRAKES	77
MASTER CYLINDER-BRAKE PUMP	78
BRAKE CYLINDER	79
TRAILER BRAKES-ITALY TYPE	80
TRAILER BRAKES-FRANCE TYPE	81
REAR WHEELS	82
FRONT WHEELS	83
FRONT AXLE 2 WHEEL DRIVE	84
FRONT AXLE 4 WHEEL DRIVE-WITH DISCBRAKES	85
FRONT AXLE 4 WHEEL DRIVE-WITH DISCBRAKES	86
FRONT AXLE 4 WHEEL DRIVE-WITH FRONT BRAKING	87
FRONT AXLE 4 WHEEL DRIVE-WITH FRONT BRAKING	88
FRONT AXLE 4 WHEEL DRIVE	89
FRONT AXLE 4 WHEEL DRIVE-WITH DISCBRAKES	90
STEERING HYDRAULIC LINES	91
STEERING HYDRAULIC LINES	92
STEERING ORBITROL UNIT-2 WHEEL DRIVE	93
STEERING ORBITROL UNIT-4 WHEELS DRIVE	94
STEERING-PUMP-TUROLLA	95
STEERING-PUMP-BOSCH	96
STEERING CYLINDER	97
STEERING CYLINDER	98
HYDRAULIC EQUIPMENT-HYDRAULIC LINES STD.	99
HYDRAULIC EQUIPMENT-HYDRAULIC LINES STD.	100
HYDRAULIC EQUIPMENT-SINGLE HYDRAULIC LINES	101
HYDRAULIC EQUIPMENT-SINGLE HYDRAULIC LINES	102
HYDRAULIC PUMP-BOSCH	103
HYDRAULIC PUMP-BOSCH	104
HYDRAULIC LIFT-WITH ELECTRONIC LIFT	105
HYDRAULIC LIFT-WITH ELECTRONIC LIFT	106
ELECTRICAL WIRING-WITH ELECTRONIC LIFT	107
ELECTRICAL WIRING	108
ELECTRICAL WIRING	109
HYDRAULIC LIFT VALVE-BOSCH	110
AUXILIARY HYDRAULIC VALVE LINES	111
AUXILIARY HYDRAULIC VALVE LINES	112
HYDRAULIC LIFT CYLINDER-RIGHT-HAND LIFT ROD LEVELLING BOX	113
HYDRAULIC LIFT CYLINDER-RIGHT-HAND LIFT ROD LEVELLING BOX	114
HYDRAULICS AND LINKAGE-HYDRAULIQUE CONTROL	115
AUXILIARY HYDRAULIC VALVE LINES-SALAMI TYPE	116
AUXILIARY HYDRAULIC VALVE LINES-SALAMI TYPE	117
AUXILIARY HYDRAULIC VALVE LINES-SALAMI TYPE	118
AUXILIARY HYDRAULIC VALVE LINES-SALAMI TYPE	119
AUXILIARY HYDRAULIC VALVE LINES-SALAMI TYPE	120
AUXILIARY HYDRAULIC VALVE LINES-SALAMI TYPE	121
AUXILIARY HYDRAULIC VALVE LINES	122
AUXILIARY HYDRAULICS VALVE STANDARD-SALAMI TYPE	123
AUXILIARY HYDRAULICS VALVE STANDARD-SALAMI TYPE	124
AUXILIARY HYDRAULICS FLOATING-SALAMI TYPE	125
AUXILIARY HYDRAULICS FLOATING-SALAMI TYPE	126
AUXILIARY HYDRAULICS VALVE KICK-OUT-SALAMI TYPE	127
AUXILIARY HYDRAULICS VALVE KICK-OUT-SALAMI TYPE	128
AUXILIARY VALVE FOR HYDRAULIC ENGINE-SALAMI TYPE	129
AUXILIARY VALVE FOR HYDRAULIC ENGINE-SALAMI TYPE	130
PLATE FOR AUXILIARY HYDRAULIC VALVE-SALAMI TYPE	131
HOLDING FIXTURE COVER AUXILIARY HYDRAULIC VALVE.-SALAMI TYPE	132
LINKAGE	133
LINKAGE	134

TABLE OF CONTENT

LINKAGE-QUICK ATTACH	135
LINKAGE-QUICK ATTACH	136
LINKAGE-QUICK ATTACH	137
SHEET METAL	138
SHEET METAL	139
SHEET METAL	140
SHEET METAL	141
SHEET METAL	142
DECALS	143
DECALS	144
DECALS	145
SUPPORTS PLATFORM	146
SUPPORTS PLATFORM	147
FENDERS AND SUPPORTS	148
FENDERS - FRONT	149
SEAT	150
SEAT	151
SEAT	152
SEAT	153
SEAT	154
TRACTOR CAB	155
TRACTOR CAB-FRONT - WINDSCREENN	156
TRACTOR CAB-LOWER FIXED COMPONENTS	157
TRACTOR CAB	158
TRACTOR CAB-LEFT SIDE - RIGHT SIDE	159
TRACTOR CAB-REAR AND BRACKET	160
TRACTOR CAB-OUTSIDE AND INTERNAL	161
TRACTOR CAB	162
TRACTOR CAB	163
TRACTOR CAB	164
TRACTOR CAB	165
ROTATING LIGHT	166
WEIGHT FRAME AND WEIGHTS W	167
REAR HOOK	168
REAR HOOK	169
REAR HOOK-STANDARD TYPE	170
DRAWBAR-HEAVY DUTY	171
TOOL KIT	172



MASSEY FERGUSON

MF 384 VQ TRACTOR, CAB, |-> - 3540278

3540278

ENGINE ASSEMBLY-A4.236 ENGINE

1

Item	Part Number	Qty	Description	Comments
1	3553122M91	1	Engine	"LD31200" PK

Thank you so much for reading.  
Please click the “Buy Now!”  
button below to download the  
complete manual.



After you pay.

You can download the most  
perfect and complete manual in  
the world immediately.

Our support email:

[ebooklibonline@outlook.com](mailto:ebooklibonline@outlook.com)