

Page Title	Page Number
ENGINE ASSEMBLY-AD3.152 ENGINE	1
SHORT ENGINE-TABLE PK ACEC9106	2
CYLINDER BLOCK-AD3.152 ENGINE	3
CRANKSHAFT, PISTONS AND CONNECTING RODS-AD3.152 ENGINE	4
CYLINDER HEAD-AD3.152 ENGINE	5
ROCKER SHAFT-AD3.152 ENGINE	6
TIMING GEAR AND CAMSHAFT-AD3.152 ENGINE	7
FUEL INJECTION EQUIPMENT-AD3.152 ENGINE	8
LUBRICATING OIL SUMP-AD3.152 ENGINE	9
LUBRICATING OIL FILTER AND INTEGRAL COOLER-AD3.152 ENGINE	10
WATER PUMP, THERMOSTAT AND HEAT EXCHANGER-AD3.152 ENGINE	11
FUEL SYSTEM AND FILTER-AD3.152 ENGINE	12
AIR INDUCTION AND EXHAUST SYSTEM	13
ALTERNATOR POSITIONER-AD3.152 ENGINE	14
JOINTS AND GASKETS-AD3.152 ENGINE	15
HEATER KIT-COLD CLIMATE	16
ALTERNATOR	17
ALTERNATOR-VALEO TYPE	18
ALTERNATOR-ISKRA TYPE	19
STARTER MOTOR-MARELLI TYPE	20
STARTER MOTOR-BOSCH	21
STARTER MOTOR-ISKRA TYPE	22
COOLING SYSTEM-FAN AND HOSES	23
COOLING SYSTEM-RADIATOR AND BRACKET	24
FUEL SYSTEM	25
FUEL TANK	26
DRY AIR FILTER-DRY AIR CLEANER	27
EXHAUST SYSTEM	28
EXHAUST SYSTEM	29
HAND AND FOOT THROTTLE CONTROLS	30
BATTERY	31
INSTRUMENT PANEL	32
INSTRUMENT PANEL	33
ELECTRICAL WIRING-FRONT	34
ELECTRICAL WIRING-REAR	35
LIGHTING EQUIPMENT	36
LIGHTING EQUIPMENT	37
LIGHTING EQUIPMENT	38
CLUTCH-O.M.G. - 11	39
CLUTCH-LUK - 11	40
CLUTCH PEDAL AND LINKAGE	41
LOWER CLUTCH P.T.O.	42
CENTRE AXLE HOUSING AND TRANSMISSION HOUSING	43
CENTRE AXLE HOUSING AND TRANSMISSION HOUSING	44
TRANSMISSION	45
TRANSMISSION	46
SHIFT LEVERS	47
GEAR BOX	48
REDUCER OPTION-FOR SHUTTLE VERSION ONLY.	49
GEAR BOX-FOR SHUTTLE VERSION ONLY.	50
GEAR BOX-FOR SPECIAL OPTIONS VERSION ONLY	51
REDUCER OPTION-OVERDRIVE AND SHUTTLE VERSION	52
REDUCER OPTION-OVERDRIVE AND UNDERDRIVE VERSION	53
REDUCER OPTION-OVERDRIVE AND CREEPER VERSION	54
REDUCER OPTION-UNDERDRIVE AND SHUTTLE VERSION	55
REDUCER OPTION-UNDERDRIVE E CREEPER VERSION	56
REDUCER OPTION-SHUTTLE AND CREEPER VERSION	57
PTO SHAFT-STANDARD TYPE	58
PTO-CONTROL-540 R.P.M. STD	59
PTO SHAFT-540/750/1000 R.P.M.	60
PTO-CONTROL-540/750/1000 R.P.M.	61
TRANSFER GEAR BOX AND DRIVE SHAFT:	62
4 WHEEL DRIVE CONTROLS	63
REAR AXLE	64
REAR AXLE	65
REAR AXLE DIFFERENTIAL LOCK MECHANISM	66

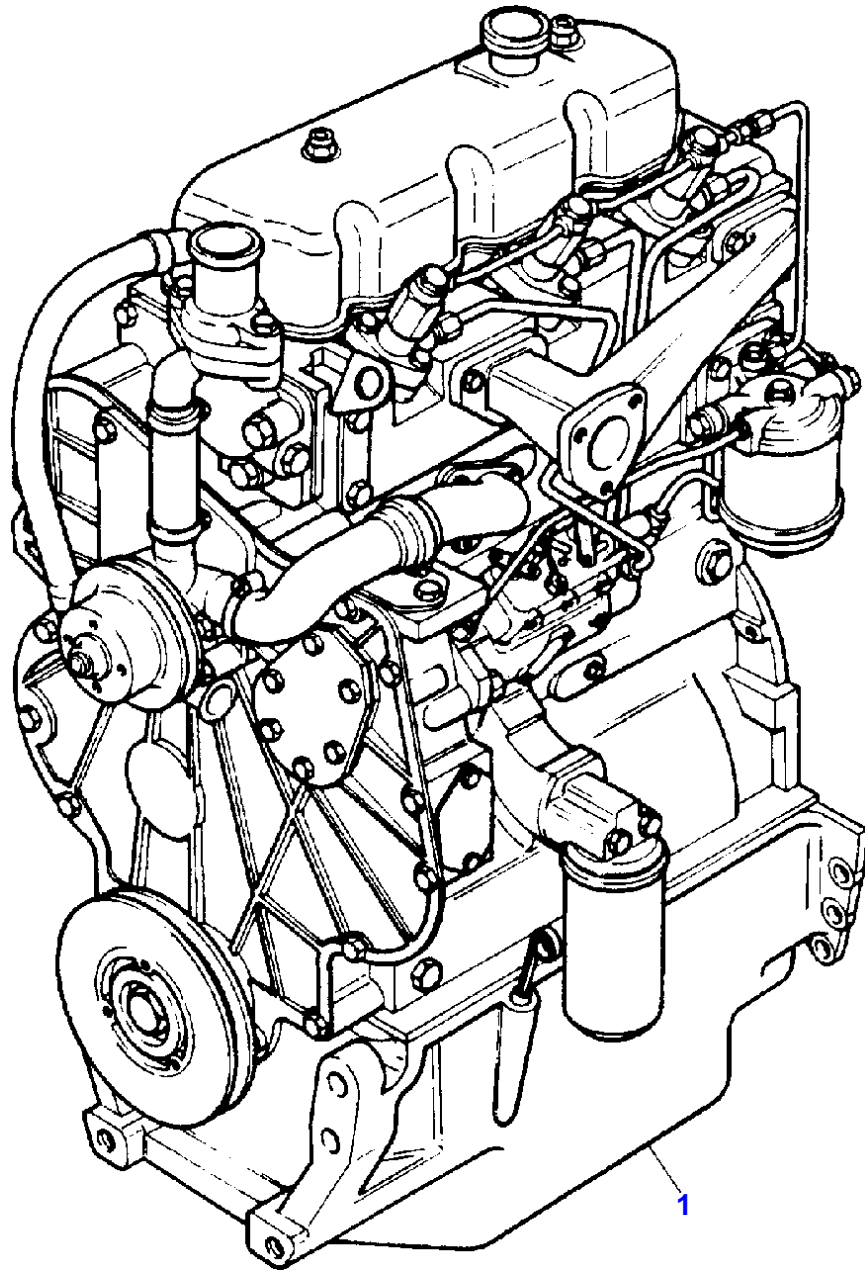
TABLE OF CONTENT

DIFFERENTIAL LOCK CONTROLS	67
DIFFERENTIAL LOCK CONTROLS	68
BRAKE AND CONTROLS	69
BRAKE AND CONTROLS-DEVICE	70
BRAKE AND CONTROLS-PIPINGS	71
BRAKE AND CONTROLS-PIPINGS FRONT	72
BRAKES	73
MASTER CYLINDER-BRAKE PUMP	74
BRAKE CYLINDER	75
REAR WHEELS	76
FRONT WHEELS	77
FRONT AXLE 2 WHEEL DRIVE	78
FRONT AXLE 4 WHEEL DRIVE	79
FRONT AXLE 4 WHEEL DRIVE	80
FRONT AXLE 4 WHEEL DRIVE	81
STEERING HYDRAULIC LINES	82
STEERING HYDRAULIC LINES	83
STEERING HYDRAULIC LINES	84
STEERING ORBITROL UNIT-2 WHEEL DRIVE	85
STEERING ORBITROL UNIT-4 WHEELS DRIVE	86
STEERING-PUMP-TUROLLA	87
STEERING-PUMP-BOSCH	88
STEERING CYLINDER	89
STEERING CYLINDER	90
HYDRAULIC EQUIPMENT-HIDRAULIC LINES STD.	91
HYDRAULIC EQUIPMENT-SINGLE HYDRAULIC LINES	92
HYDRAULIC EQUIPMENT-SINGLE HYDRAULIC LINES	93
HYDRAULIC PUMP-TUROLLA	94
HYDRAULIC PUMP-BOSCH	95
HYDRAULIC PUMP-CESSNA	96
HYDRAULIC LIFT VALVE-WITH MECANICS RISER	97
HYDRAULIC LIFT-WITH MECANICS RISER	98
HYDRAULIC LIFT-WITH MECANICS RISER	99
HYDRAULIC LIFT-WITH ELECTRONIC LIFT	100
HYDRAULIC LIFT-WITH ELECTRONIC LIFT	101
ELECTRICAL WIRING-WITH ELECTRONIC LIFT	102
HYDRAULIC LIFT VALVE-WITH ELECTRONIC LIFT	103
ELECTRICAL WIRING-CONTROL PANEL	104
ELECTRONIC LIFT	105
MECHANICAL CONTROL LIFT	106
MECHANICAL CONTROL LIFT	107
MECHANICAL CONTROL LIFT	108
AUXILIARY HYDRAULIC VALVE LINES	109
AUXILIARY HYDRAULIC VALVE LINES	110
PLATE FOR AUXILIARY HYDRAULIC VALVE-HIDROIRMA TYPE.	111
AUXILIARY HYDRAULICS VALVE STANDARD-HYDROIRMA TYPE STANDARD	112
AUXILIARY HYDRAULICS FLOATING-HYDROIRMA TYPE FLOATING	113
AUXILIARY HYDRAULIC VALVE LINES	114
AUXILIARY HYDRAULICS-CONTROL WITH 1.0 AND 2.0 DISTRIBUTOR.	115
AUXILIARY HYDRAULIC VALVE LINES-SINGLE HYDRAULIC LINES	116
AUXILIARY HYDRAULICS VALVE-TILL TYPE STANDARD	117
AUXILIARY HYDRAULICS VALVE-TILL TYPE FLOATING	118
LINKAGE	119
LINKAGE-MECANICS LIFT CYLINDER RIGTH	120
HYDRAULIC LIFT CYLINDER-HYDRAULIC LIFT CYLINDER,WITH 1'AND 2'AUXIL.HYD	121
LINKAGE	122
SHEET METAL	123
SHEET METAL	124
SIDE COVER-SHIELD FAN	125
SHEET METAL	126
DECALS	127
DECALS	128
DECALS	129
FENDERS - FRONT	130
FENDERS AND PLATFORM	131
FENDERS AND PLATFORM	132
REAR SHEET METAL	133
SEAT	134

TABLE OF CONTENT

00

SEAT	135
SEAT	136
SAFETY FRAME	137
ROTATING LIGHT	138
WEIGHT FRAME AND WEIGHTS W	139
HITCH CONNECTIONS-WITHOUT HITCH	140
REAR HOOK	141
DRAWBAR-HEAVY DUTY	142
DRAWBAR-	143
TOOL KIT	144
SEALERS AND LIQUID GASKETS ADHESIES	145
REDUCER OPTION	146
REDUCER OPTION-SHUTTLE AND CREEPER VERSION	147
REDUCER OPTION-OVERDRIVE AND CREEPER VERSION	148
REAR HOOK	149



MASSEY FERGUSON

MF 354 V FOOTSTEP TRACTOR - 3540304

3540304

ENGINE ASSEMBLY-AD3.152 ENGINE

1

Item	Part Number	Qty	Description	Comments
1	3553118M91	1	Engine	[A] "CE31197"
1	3553128M91	1	Engine	[B] "CE31212"
				[A] STD.HYDRAULIC LINES
				[B] SINGLE HYDRAULIC LINES

Thank you so much for reading.
Please click the “Buy Now!”
button below to download the
complete manual.



After you pay.

You can download the most
perfect and complete manual in
the world immediately.

Our support email:

ebooklibonline@outlook.com