

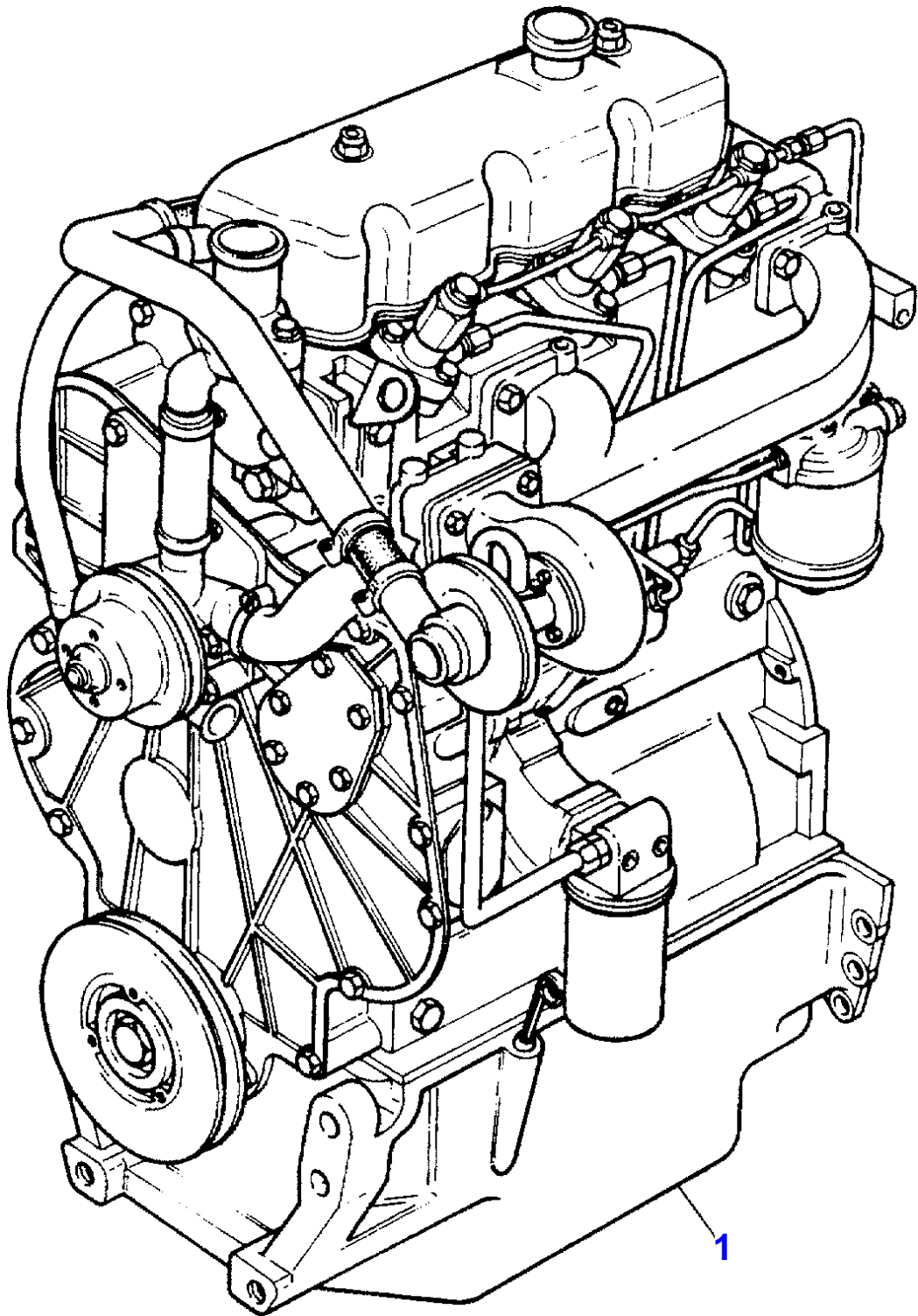
Page Title	Page Number
ENGINE ASSEMBLY-T3.152.4 ENGINE	1
SHORT ENGINE-TABLE PK ACEC9107	2
CYLINDER BLOCK-T3.152.4 ENGINE	3
CRANKSHAFT, PISTONS AND CONNECTING RODS-T3.152.4 ENGINE	4
CYLINDER HEAD-T3.152.4 ENGINE	5
ROCKER SHAFT-T3.152.4 ENGINE	6
TIMING GEAR AND CAMSHAFT-T3.152.4 ENGINE	7
FUEL INJECTION EQUIPMENT-T3.152.4 ENGINE	8
LUBRICATING OIL SUMP-T3.152.4 ENGINE	9
LUBRICATING OIL FILTER AND INTEGRAL COOLER-T3.152.4 ENGINE	10
WATER PUMP, THERMOSTAT AND HEAT EXCHANGER-T3.152.4 ENGINE	11
FUEL SYSTEM AND FILTER-T3.152.4 ENGINE	12
TURBOCHARGER-T3.152.4 ENGINE	13
TURBOCHARGER-T3.152.4 ENGINE	14
TURBOCHARGER-T3.152.4 ENGINE	15
ALTERNATOR POSITIONER-T3.152.4 ENGINE	16
JOINTS AND GASKETS-T3.152.4 ENGINE	17
HEATER KIT-COLD CLIMATE	18
ALTERNATOR	19
ALTERNATOR-VALEO TYPE	20
ALTERNATOR-ISKRA TYPE	21
STARTER MOTOR-MARELLI TYPE	22
STARTER MOTOR-BOSCH	23
STARTER MOTOR-ISKRA TYPE	24
COOLING SYSTEM-FAN AND HOSES	25
COOLING SYSTEM-RADIATOR AND BRACKET	26
FUEL SYSTEM	27
FUEL TANK	28
DRY AIR FILTER-DRY AIR CLEANER	29
EXHAUST SYSTEM	30
TURBOCHARGER-WITH EXHAUST HORIZONTAL	31
EXHAUST SYSTEM	32
HAND AND FOOT THROTTLE CONTROLS	33
BATTERY	34
INSTRUMENT PANEL	35
INSTRUMENT PANEL	36
ELECTRICAL WIRING-FRONT	37
ELECTRICAL WIRING-REAR	38
LIGHTING EQUIPMENT	39
LIGHTING EQUIPMENT	40
LIGHTING EQUIPMENT	41
CLUTCH-O.M.G. - 11	42
CLUTCH-LUK - 11	43
CLUTCH PEDAL AND LINKAGE	44
LOWER CLUTCH P.T.O.	45
CENTRE AXLE HOUSING AND TRANSMISSION HOUSING	46
CENTRE AXLE HOUSING AND TRANSMISSION HOUSING	47
TRANSMISSION	48
TRANSMISSION	49
SHIFT LEVERS	50
GEAR BOX	51
REDUCER OPTION-FOR SHUTTLE VERSION ONLY.	52
GEAR BOX-FOR SHUTTLE VERSION ONLY.	53
GEAR BOX-FOR SPECIAL OPTIONS VERSION ONLY	54
REDUCER OPTION-OVERDRIVE AND SHUTTLE VERSION	55
REDUCER OPTION-OVERDRIVE AND UNDERDRIVE VERSION	56
REDUCER OPTION-OVERDRIVE AND CREEPER VERSION	57
REDUCER OPTION-UNDERDRIVE AND SHUTTLE VERSION	58
REDUCER OPTION-UNDERDRIVE E CREEPER VERSION	59
REDUCER OPTION-SHUTTLE AND CREEPER VERSION	60
PTO SHAFT-STANDARD TYPE	61
PTO-CONTROL-540 R.P.M. STD	62
PTO SHAFT-540/750/1000 R.P.M.	63
PTO-CONTROL-540/750/1000 R.P.M.	64
TRANSFER GEAR BOX AND DRIVE SHAFT:	65
4 WHEEL DRIVE CONTROLS	66

TABLE OF CONTENT

REAR AXLE	67
REAR AXLE	68
REAR AXLE DIFFERENTIAL LOCK MECHANISM	69
DIFFERENTIAL LOCK CONTROLS	70
DIFFERENTIAL LOCK CONTROLS	71
BRAKE AND CONTROLS	72
BRAKE AND CONTROLS-DEVICE	73
BRAKE AND CONTROLS-PIPINGS	74
BRAKE AND CONTROLS-PIPINGS FRONT	75
BRAKES	76
MASTER CYLINDER-BRAKE PUMP	77
BRAKE CYLINDER	78
REAR WHEELS	79
FRONT WHEELS	80
FRONT AXLE 2 WHEEL DRIVE	81
FRONT AXLE 4 WHEEL DRIVE	82
FRONT AXLE 4 WHEEL DRIVE	83
FRONT AXLE 4 WHEEL DRIVE	84
STEERING HYDRAULIC LINES	85
STEERING HYDRAULIC LINES	86
STEERING HYDRAULIC LINES	87
STEERING ORBITROL UNIT-2 WHEEL DRIVE	88
STEERING ORBITROL UNIT-4 WHEELS DRIVE	89
STEERING-PUMP-TUROLLA	90
STEERING-PUMP-BOSCH	91
STEERING CYLINDER	92
STEERING CYLINDER	93
HYDRAULIC EQUIPMENT-HIDRAULIC LINES STD.	94
HYDRAULIC EQUIPMENT-SINGLE HYDRAULIC LINES	95
HYDRAULIC EQUIPMENT-SINGLE HYDRAULIC LINES	96
HYDRAULIC PUMP-TUROLLA	97
HYDRAULIC PUMP-BOSCH	98
HYDRAULIC PUMP-CESSNA	99
HYDRAULIC LIFT VALVE-WITH MECANICS RISER	100
HYDRAULIC LIFT-WITH MECANICS RISER	101
HYDRAULIC LIFT-WITH MECANICS RISER	102
HYDRAULIC LIFT-WITH ELECTRONIC LIFT	103
HYDRAULIC LIFT-WITH ELECTRONIC LIFT	104
ELECTRICAL WIRING-WITH ELECTRONIC LIFT	105
HYDRAULIC LIFT VALVE-WITH ELECTRONIC LIFT	106
ELECTRICAL WIRING-CONTROL PANEL	107
ELECTRONIC LIFT	108
MECHANICAL CONTROL LIFT	109
MECHANICAL CONTROL LIFT	110
MECHANICAL CONTROL LIFT	111
AUXILIARY HYDRAULIC VALVE LINES	112
AUXILIARY HYDRAULIC VALVE LINES	113
PLATE FOR AUXILIARY HYDRAULIC VALVE-HIDROIRMA TYPE.	114
AUXILIARY HYDRAULICS VALVE STANDARD-HYDROIRMA TYPE STANDARD	115
AUXILIARY HYDRAULICS FLOATING-HYDROIRMA TYPE FLOATING	116
AUXILIARY HYDRAULIC VALVE LINES	117
AUXILIARY HYDRAULICS-CONTROL WITH 1.0 AND 2.0 DISTRIBUTOR.	118
AUXILIARY HYDRAULIC VALVE LINES-SINGLE HYDRAULIC LINES	119
AUXILIARY HYDRAULICS VALVE-TILL TYPE STANDARD	120
AUXILIARY HYDRAULICS VALVE-TILL TYPE FLOATING	121
LINKAGE	122
LINKAGE-MECANICS LIFT CYLINDER RIGTH	123
HYDRAULIC LIFT CYLINDER-HYDRAULIC LIFT CYLINDER,WITH 1'AND 2'AUXIL.HYD	124
LINKAGE	125
SHEET METAL	126
SHEET METAL	127
SIDE COVER-SHIELD FAN	128
SHEET METAL	129
DECALS	130
DECALS	131
DECALS	132
FENDERS - FRONT	133
FENDERS AND PLATFORM	134

TABLE OF CONTENT

FENDERS AND PLATFORM	135
REAR SHEET METAL	136
SEAT	137
SEAT	138
SEAT	139
SAFETY FRAME	140
ROTATING LIGHT	141
WEIGHT FRAME AND WEIGHTS W	142
HITCH CONNECTIONS-WITHOUT HITCH	143
REAR HOOK	144
DRAWBAR-HEAVY DUTY	145
DRAWBAR-	146
TOOL KIT	147
SEALERS AND LIQUID GASKETS ADHESIES	148
REDUCER OPTION	149
REDUCER OPTION-SHUTTLE AND CREEPER VERSION	150
REDUCER OPTION-OVERDRIVE AND CREEPER VERSION	151
REAR HOOK	152



MASSEY FERGUSON

MF 364 V FOOTSTEP TRACTOR - 3540305

3540305

ENGINE ASSEMBLY-T3.152.4 ENGINE

1

Item	Part Number	Qty	Description	Comments
1	3553117M91	1	Engine	[C] "CN31198"
1	3553116M91	1	Engine	[D] "CN31225"
				[C] STD.HYDRAULIC LINES
				[D] SINGLE HYDRAULIC LINES

Thank you so much for reading.  
Please click the “Buy Now!”  
button below to download the  
complete manual.



After you pay.

You can download the most  
perfect and complete manual in  
the world immediately.

Our support email:

[ebooklibonline@outlook.com](mailto:ebooklibonline@outlook.com)