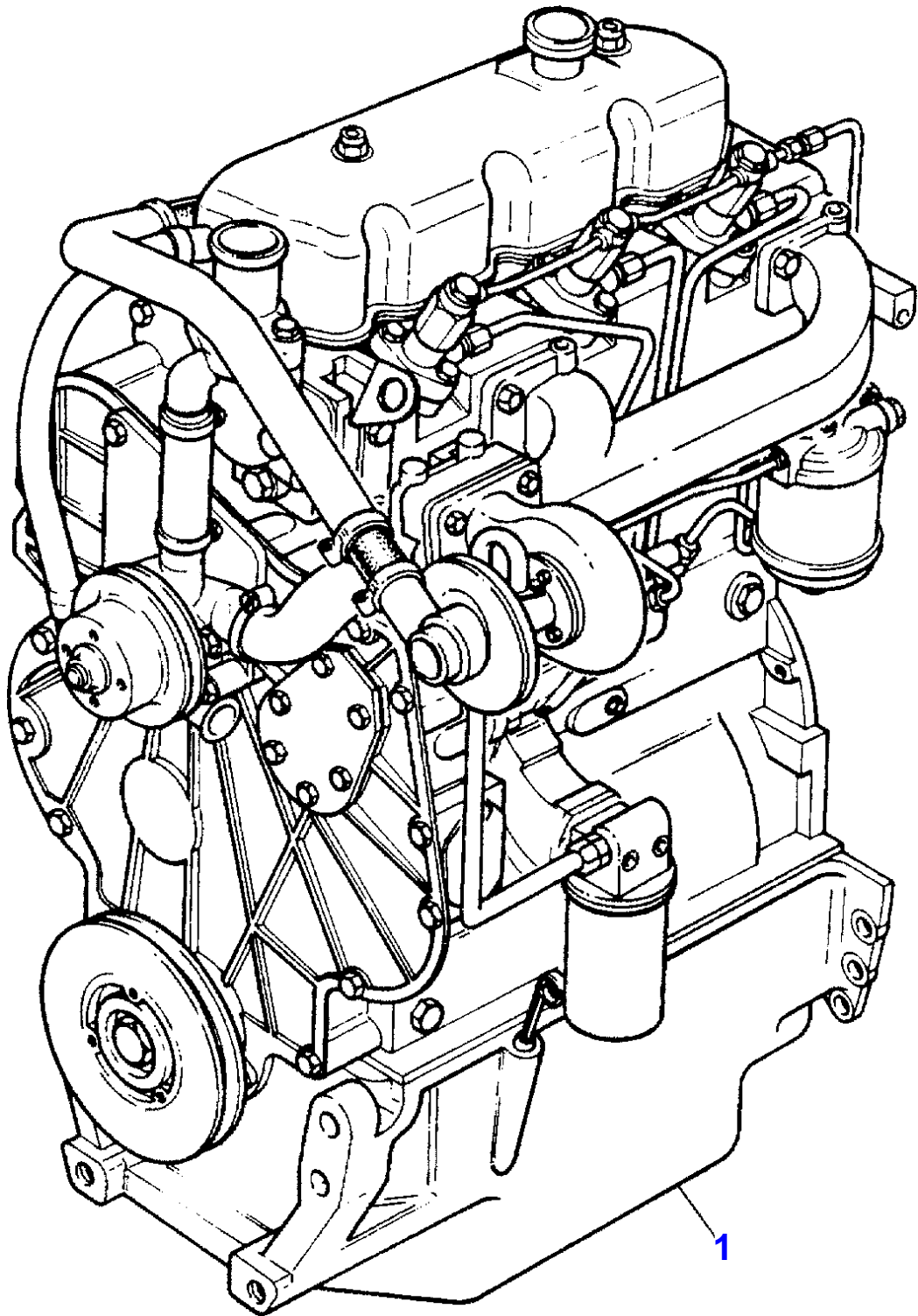


Page Title	Page Number
ENGINE ASSEMBLY-T3.152.4 ENGINE	1
SHORT ENGINE-TABLE PK ACEC9107	2
CYLINDER BLOCK-T3.152.4 ENGINE	3
CRANKSHAFT, PISTONS AND CONNECTING RODS-T3.152.4 ENGINE	4
CYLINDER HEAD-T3.152.4 ENGINE	5
ROCKER SHAFT-T3.152.4 ENGINE	6
TIMING GEAR AND CAMSHAFT-T3.152.4 ENGINE	7
FUEL INJECTION EQUIPMENT-T3.152.4 ENGINE	8
LUBRICATING OIL SUMP-T3.152.4 ENGINE	9
LUBRICATING OIL FILTER AND INTEGRAL COOLER-T3.152.4 ENGINE	10
WATER PUMP, THERMOSTAT AND HEAT EXCHANGER-T3.152.4 ENGINE	11
FUEL SYSTEM AND FILTER-AD3.152 ENGINE	12
TURBOCHARGER-T3.152.4 ENGINE	13
TURBOCHARGER-T3.152.4 ENGINE	14
TURBOCHARGER-T3.152.4 ENGINE	15
ALTERNATOR POSITIONER-T3.152.4 ENGINE	16
JOINTS AND GASKETS-T3.152.4 ENGINE	17
ALTERNATOR-LUCAS	18
ALTERNATOR-ISKRA TYPE	19
ALTERNATOR-VALEO TYPE	20
STARTER MOTOR-MARELLI TYPE	21
STARTER MOTOR-BOSCH	22
STARTER MOTOR-ISKRA TYPE	23
COOLING SYSTEM-FAN AND HOSES	24
COOLING SYSTEM-RADIATOR AND BRACKET	25
FUEL SYSTEM	26
FUEL SYSTEM	27
FUEL TANK-TANK STD	28
DRY AIR FILTER-DRY AIR CLEANER	29
EXHAUST SYSTEM	30
THROTTLE CONTROLS	31
INSTRUMENT PANEL-CENTRAL ELECTRICAL EQUIPEMENT.	32
INSTRUMENT PANEL-POINTERS	33
BATTERY BATTERY CASE	34
ELECTRONIC HARNESS-CENTRAL ELECTRICAL EQUIPEMENT.	35
ELECTRICAL WIRING-REAR	36
SENSORS HARNESS-FRONT	37
LIGHTING EQUIPMENT-LIGHTS	38
CLUTCH-O.M.G. - 11	39
CLUTCH-LUK - 11	40
CLUTCH CONTROL	41
LOWER CLUTCH P.T.O.	42
CLUTCH CONTROL-CLUTCH SHAFT BRAKING SYSTEM	43
CENTRE AXLE HOUSING AND TRANSMISSION HOUSING	44
CENTRE AXLE HOUSING AND TRANSMISSION HOUSING	45
TRANSMISSION	46
TRANSMISSION	47
SHIFT LEVERS	48
TRANSMISSION CONTROL	49
PTO SHAFT-STANDARD TYPE	50
PTO SHAFT-540/750/1000 R.P.M.	51
REAR AXLE-FINAL DRIVE	52
BRAKE AND CONTROLS	53
STEERING CONTROL DEVICE	54
STEERING CLUTCH	55
BRAKES	56
TRACK ADJUSTER	57
TRACK CHAIN	58
SUSPENSION TRACK CHAIN-FRONT - REAR	59
SUSPENSION TRACK CHAIN-TRACK CARRIER	60
UPPER ROLLER	61
LOWER ROLLER	62
HYDRAULIC EQUIPMENT	63
HYDRAULIC PUMP-TUROLLA	64
HYDRAULIC PUMP-BOSCH	65
HYDRAULIC LIFT VALVE	66

TABLE OF CONTENT		00
HYDRAULIC LIFT	67	
HYDRAULIC LIFT	68	
MECHANICAL CONTROL LIFT	69	
MECHANICAL CONTROL LIFT	70	
AUXILIARY HYDRAULIC VALVE LINES	71	
AUXILIARY HYDRAULIC VALVE LINES-2 OR 3 DISTRIBUTORS	72	
CONTROL VALVE-HIDROIRMA TYPE.	73	
AUXILIARY HYDRAULICS VALVE STANDARD-HIDROIRMA TYPE.	74	
AUXILIARY HYDRAULICS FLOATING-HIDROIRMA TYPE.	75	
LINKAGE-CAT II	76	
LINKAGE-CAT I	77	
LINKAGE-CAT II	78	
LINKAGE-CAT I	79	
SHEET METAL	80	
COOLING SYSTEM-FAN GUARD	81	
SHEET METAL	82	
SHEET METAL-BRACKETS AND ASSEMBLING PARTS	83	
DECALS	84	
DECALS	85	
FENDERS AND PLATFORM	86	
GUARDS-TRACK ROLLERS GUARDS	87	
REAR SHEET METAL	88	
SAFETY FRAME-FRONT	89	
SEAT-STANDARD TYPE	90	
SEAT-LUX TYPE	91	
SEAT-STANDARD VERSION	92	
SEAT-LUX TYPE	93	
WEIGHT FRAME AND WEIGHTS W-FRONT HOOK	94	
REAR HOOK-FOR ITALY	95	
DRAWBAR-	96	
TOOL KIT-	97	



MASSEY FERGUSON

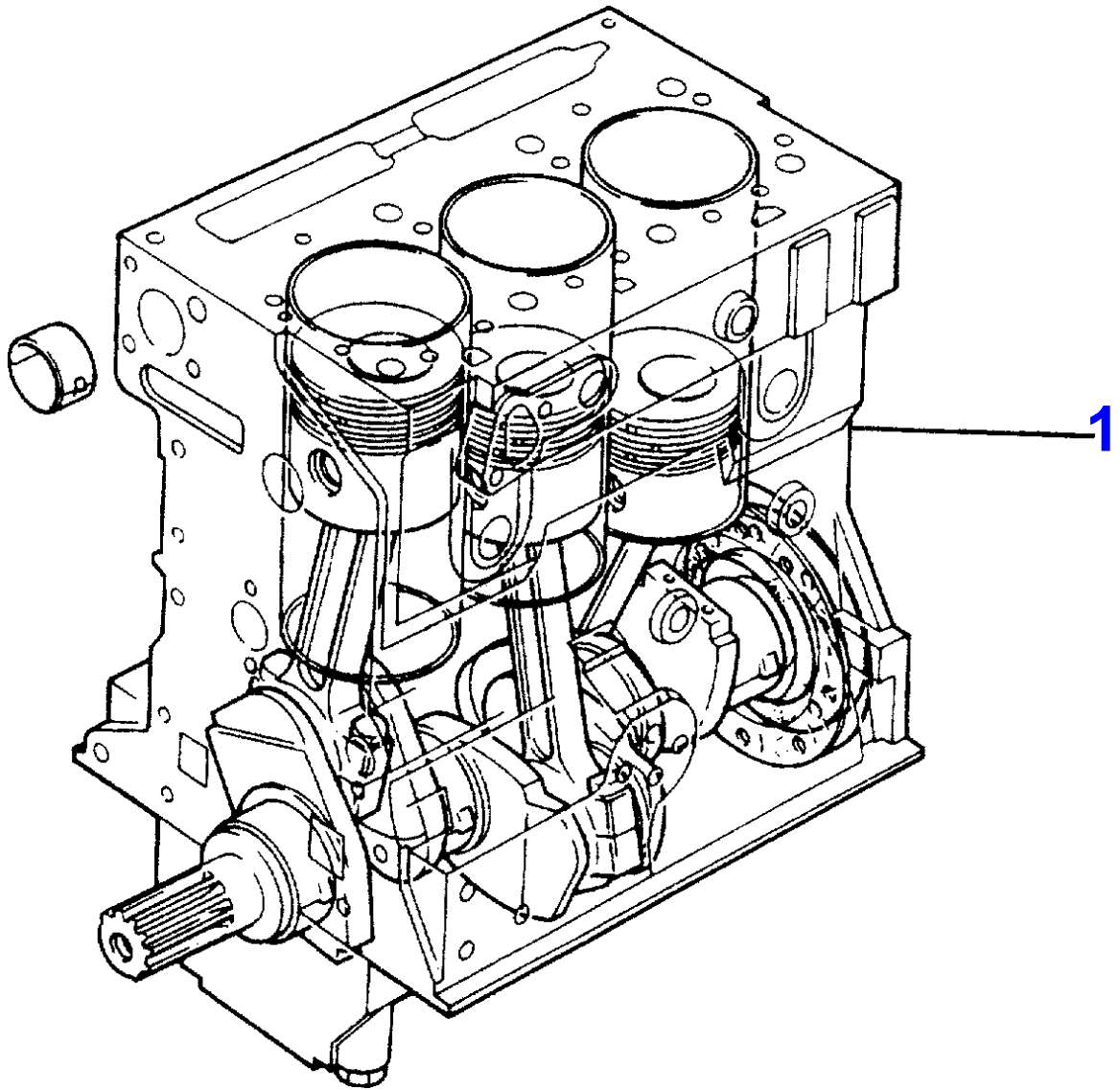
MF 366 CF CRAWLER - 3540434

3540434

ENGINE ASSEMBLY-T3.152.4 ENGINE

1

Item	Part Number	Qty	Description	Comments
1	3553117M91	1	Engine	PK-CN31198



Thank you so much for reading.
Please click the “Buy Now!”
button below to download the
complete manual.



After you pay.

You can download the most
perfect and complete manual in
the world immediately.

Our support email:

ebooklibonline@outlook.com