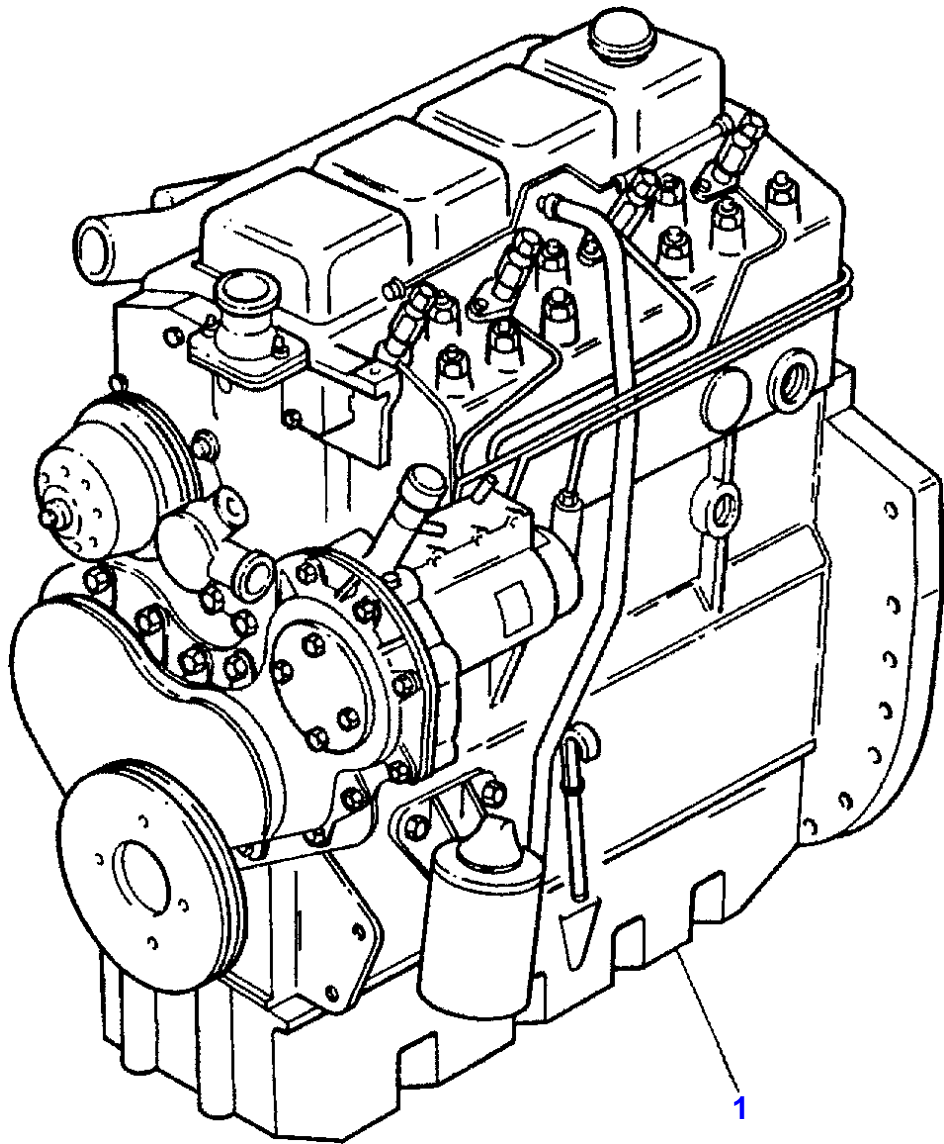


Page Title	Page Number
ENGINE ASSEMBLY-A4.236 ENGINE	1
SHORT ENGINE-A4.236 ENGINE	2
CYLINDER BLOCK-A4.236 ENGINE	3
CRANKSHAFT, PISTONS AND CONNECTING RODS-A4.236 ENGINE	4
CYLINDER HEAD-A4.236 ENGINE	5
ROCKER SHAFT-A4.236 ENGINE	6
TIMING GEAR AND CAMSHAFT-A4.236 ENGINE	7
BALANCER UNIT-A4.236 ENGINE	8
FUEL INJECTION EQUIPMENT-A4.236 ENGINE	9
LUBRICATING OIL SUMP-A4.236 ENGINE	10
LUBRICATING OIL FILTER AND INTEGRAL COOLER-A4.236 ENGINE	11
WATER PUMP, THERMOSTAT AND HEAT EXCHANGER-A4.236 ENGINE	12
FUEL SYSTEM AND FILTER-A4.236 ENGINE	13
AIR INDUCTION AND EXHAUST SYSTEM-A4.236 ENGINE	14
ALTERNATOR POSITIONER-A4.236 ENGINE	15
JOINTS AND GASKETS-A4.236 ENGINE	16
ALTERNATOR-LUCAS	17
ALTERNATOR-ISKRA TYPE	18
ALTERNATOR-VALEO TYPE	19
STARTER MOTOR-MARELLI	20
STARTER MOTOR-ISKRA TYPE	21
STARTER MOTOR-BOSCH	22
COOLING SYSTEM-FAN AND HOSES	23
COOLING SYSTEM-RADIATOR AND BRACKET	24
FUEL SYSTEM	25
FUEL TANK-TANK STD	26
DRY AIR FILTER-DRY AIR CLEANER	27
EXHAUST SYSTEM	28
THROTTLE CONTROLS	29
INSTRUMENT PANEL-CENTRAL ELECTRICAL EQUIPEMENT.	30
INSTRUMENT PANEL-POINTERS	31
BATTERY BATTERY CASE	32
ELECTRONIC HARNESS-CENTRAL ELECTRICAL EQUIPEMENT.	33
ELECTRICAL WIRING-REAR	34
SENSORS HARNESS-FRONT	35
LIGHTING EQUIPMENT-LIGHTS	36
CLUTCH-O.M.G. - 11	37
CLUTCH-LUK - 11	38
CLUTCH CONTROL	39
LOWER CLUTCH P.T.O.	40
CLUTCH CONTROL-CLUTCH SHAFT BRAKING SISTEM	41
CENTRE AXLE HOUSING AND TRANSMISSION HOUSING	42
CENTRE AXLE HOUSING AND TRANSMISSION HOUSING	43
TRANSMISSION	44
TRANSMISSION	45
SHIFT LEVERS	46
TRANSMISSION CONTROL	47
PTO SHAFT-STANDARD TYPE	48
PTO SHAFT-540/750/1000 R.P.M.	49
REAR AXLE-FINAL DRIVE	50
BRAKE AND CONTROLS	51
STEERING CONTROL DEVICE	52
STEERING CLUTCH	53
BRAKES	54
TRACK ADJUSTER	55
TRACK CHAIN	56
SUSPENSION TRACK CHAIN-FRONT - REAR	57
SUSPENSION TRACK CHAIN-TRACK CARRIER	58
UPPER ROLLER	59
LOWER ROLLER	60
HYDRAULIC EQUIPMENT	61
HYDRAULIC PUMP-TUROLLA	62
HYDRAULIC PUMP-BOSCH	63
HYDRAULIC LIFT VALVE	64
HYDRAULIC LIFT	65
HYDRAULIC LIFT	66

TABLE OF CONTENT		00
MECHANICAL CONTROL LIFT	67	
MECHANICAL CONTROL LIFT	68	
AUXILIARY HYDRAULIC VALVE LINES	69	
AUXILIARY HYDRAULIC VALVE LINES-2 OR 3 DISTRIBUTORS	70	
CONTROL VALVE-HIDROIRMA TYPE.	71	
AUXILIARY HYDRAULICS VALVE STANDARD-HIDROIRMA TYPE.	72	
AUXILIARY HYDRAULICS FLOATING-HIDROIRMA TYPE.	73	
LINKAGE-CAT II	74	
LINKAGE-CAT II	75	
SHEET METAL	76	
COOLING SYSTEM-FAN GUARD	77	
SHEET METAL	78	
SHEET METAL-BRACKETS AND ASSEMBLING PARTS	79	
DECALS	80	
DECALS	81	
FENDERS AND PLATFORM	82	
GUARDS-TRACK ROLLERS GUARDS	83	
REAR SHEET METAL	84	
SAFETY FRAME-FRONT	85	
SEAT-STANDARD TYPE	86	
SEAT-LUX TYPE	87	
SEAT-STANDARD VERSION	88	
SEAT-LUX TYPE	89	
WEIGHT FRAME AND WEIGHTS W-FRONT HOOK	90	
REAR HOOK-FOR ITALY	91	
DRAWBAR-	92	
TOOL KIT-	93	



MASSEY FERGUSON

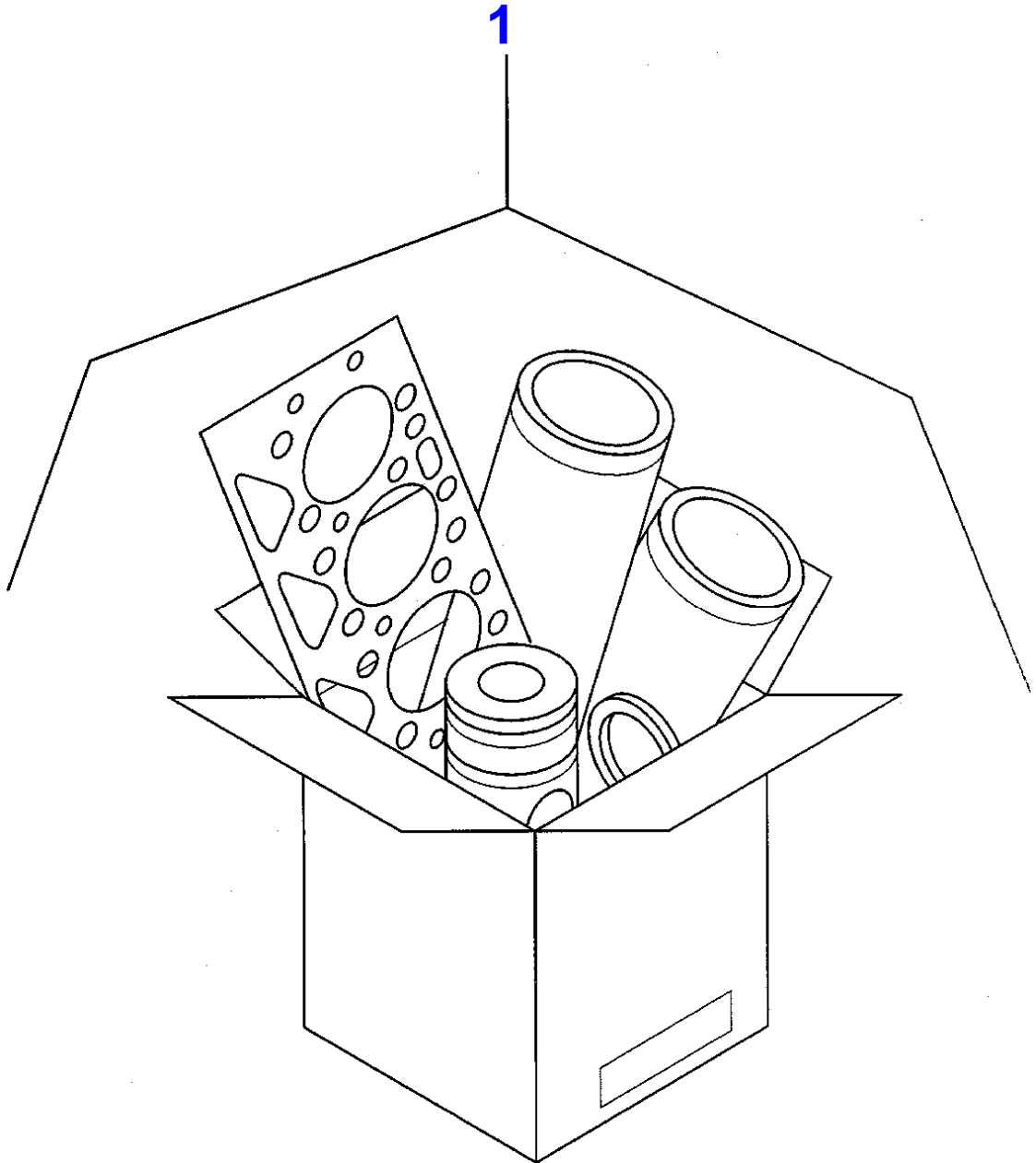
MF 367 CF CRAWLER - 3540435

3540435

ENGINE ASSEMBLY-A4.236 ENGINE

1

Item	Part Number	Qty	Description	Comments
1	3553131M91	1	Engine	"LD31202"PK



Thank you so much for reading.
Please click the “Buy Now!”
button below to download the
complete manual.



After you pay.

You can download the most
perfect and complete manual in
the world immediately.

Our support email:

ebooklibonline@outlook.com