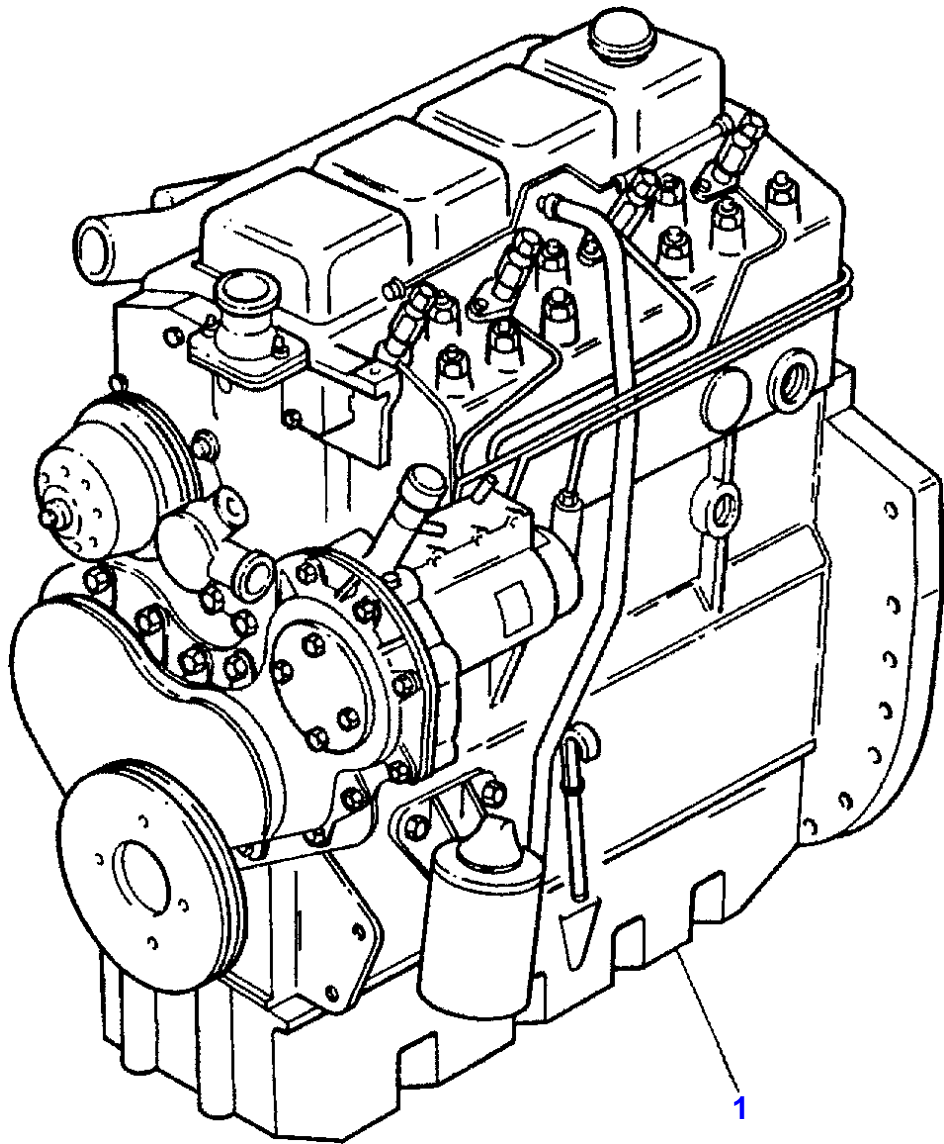


Page Title	Page Number
ENGINE ASSEMBLY-A4.236 ENGINE	1
SHORT ENGINE-A4.236 ENGINE	2
CYLINDER BLOCK-A4.236 ENGINE	3
CRANKSHAFT, PISTONS AND CONNECTING RODS-A4.236 ENGINE	4
CYLINDER HEAD-A4.236 ENGINE	5
ROCKER SHAFT-A4.236 ENGINE	6
TIMING GEAR AND CAMSHAFT-A4.236 ENGINE	7
BALANCER UNIT-A4.236 ENGINE	8
FUEL INJECTION EQUIPMENT-A4.236 ENGINE	9
LUBRICATING OIL SUMP-A4.236 ENGINE	10
LUBRICATING OIL FILTER AND INTEGRAL COOLER-A4.236 ENGINE	11
WATER PUMP, THERMOSTAT AND HEAT EXCHANGER-A4.236 ENGINE	12
FUEL SYSTEM AND FILTER-A4.236 ENGINE	13
AIR INDUCTION AND EXHAUST SYSTEM-A4.236 ENGINE	14
ALTERNATOR POSITIONER-A4.236 ENGINE	15
JOINTS AND GASKETS-A4.236 ENGINE	16
ALTERNATOR-LUCAS	17
ALTERNATOR-VALEO TYPE	18
ALTERNATOR-ISKRA TYPE	19
STARTER MOTOR-MARELLI	20
STARTER MOTOR-ISKRA TYPE	21
STARTER MOTOR-BOSCH	22
COOLING SYSTEM-FAN AND HOSES	23
COOLING SYSTEM-RADIATOR AND BRACKET	24
FUEL SYSTEM	25
FUEL TANK-TANK STD	26
AIR FILTER	27
DRY AIR FILTER-DRY AIR CLEANER	28
EXHAUST SYSTEM	29
EXHAUST SYSTEM	30
THROTTLE CONTROLS	31
INSTRUMENT PANEL-CENTRAL ELECTRICAL EQUIPEMENT.	32
INSTRUMENT PANEL-POINTERS	33
BATTERY BATTERY CASE	34
ELECTRONIC HARNESS-CENTRAL ELECTRICAL EQUIPEMENT.	35
ELECTRICAL WIRING-REAR	36
SENSORS HARNESS-FRONT	37
LIGHTING EQUIPMENT-LIGHTS	38
CLUTCH-LUK - 11	39
CLUTCH-O.M.G. - 11	40
CLUTCH PEDAL AND LINKAGE	41
CLUTCH PEDAL AND LINKAGE-CLUTCH SHAFT BRAKING SISTEM WITH STANDARD TRAN	42
CLUTCH PEDAL AND LINKAGE-CLUTCH SHAFT BRAKING SISTEM WITH SHUTTLE VERSI	43
CENTRE AXLE HOUSING AND TRANSMISSION HOUSING	44
CENTRE AXLE HOUSING AND TRANSMISSION HOUSING	45
TRANSFER GEAR BOX-CONTROL COVER	46
TRANSMISSION	47
TRANSMISSION	48
TRANSMISSION CONTROL-DRIVING LEVER AND COVER HOUSING	49
TRANSMISSION CONTROL-STANDARD VERSION	50
TRANSMISSION-SHUTTLE AND CREEPER VERSION	51
REDUCER CONTROL OPZIONS-SHUTTLE AND CREEPER VERSION	52
TRANSMISSION CONTROL-SHUTTLE AND CREEPER VERSION	53
TRANSMISSION-OVERDRIVE AND SHUTTLE VERSION	54
REDUCER CONTROL OPZIONS-OVERDRIVE AND SHUTTLE VERSION	55
TRANSMISSION CONTROL-OVERDRIVE AND SHUTTLE VERSION	56
PTO SHAFT-STANDARD TYPE	57
PTO SHAFT-540/750/1000 R.P.M.	58
REAR AXLE	59
BRAKE AND CONTROLS	60
BRAKE AND CONTROLS	61
STEERING CLUTCH	62
STEERING CLUTCH-PIPINGS	63
STEERING CLUTCH	64
STEERING CLUTCH-DRIVING LEVER	65
STEERING CLUTCH-PIPINGS	66

TABLE OF CONTENT

ACCESSORIES MISCELLANEOUS	67
BRAKES	68
TRACK ADJUSTER	69
TRACK CHAIN-TRACK CHAIN	70
SUSPENSION TRACK CHAIN-FRONT - REAR	71
SUSPENSION TRACK CHAIN-TRACK CARRIER	72
UPPER ROLLER	73
LOWER ROLLER	74
HYDRAULIC EQUIPMENT	75
HYDRAULIC EQUIPMENT-HEAT EXCHANGER	76
HYDRAULIC PUMP-BOSCH	77
HYDRAULIC PUMP-TUROLLA	78
HYDRAULIC LIFT VALVE	79
HYDRAULIC LIFT	80
HYDRAULIC LIFT	81
MECHANICAL CONTROL LIFT	82
MECHANICAL CONTROL LIFT	83
AUXILIARY HYDRAULIC VALVE LINES	84
AUXILIARY HYDRAULIC VALVE LINES-2 OR 3 DISTRIBUTORS	85
CONTROL VALVE-O.M.C. TYPE	86
AUXILIARY HYDRAULICS VALVE-STANDARD TYPE	87
AUXILIARY HYDRAULICS VALVE-FLOATING	88
AUXILIARY HYDRAULIC VALVE LINES	89
AUXILIARY HYDRAULIC VALVE LINES-2 OR 3 DISTRIBUTORS	90
AUXILIARY HYDRAULICS VALVE STANDARD-TILL TYPE	91
AUXILIARY HYDRAULICS FLOATING-TILL TYPE	92
AUXILIARY HYDRAULIC VALVE LINES	93
AUXILIARY HYDRAULIC VALVE LINES-2 OR 3 DISTRIBUTORS	94
CONTROL VALVE-HIDROIRMA TYPE.	95
AUXILIARY HYDRAULICS VALVE STANDARD-HIDROIRMA TYPE.	96
AUXILIARY HYDRAULICS FLOATING-HIDROIRMA TYPE.	97
LINKAGE	98
SHEET METAL	99
SHEET METAL	100
SHEET METAL-BRACKETS AND ASSEMBLING PARTS	101
DECALS-	102
DECALS-	103
FENDERS AND PLATFORM	104
GUARDS-TRACK ROLLERS GUARDS	105
REAR SHEET METAL	106
SAFETY FRAME-FRONT	107
SEAT-STANDARD TYPE	108
SEAT-LUX TYPE	109
SEAT-STANDARD VERSION	110
SEAT-LUX TYPE	111
WEIGHT FRAME AND WEIGHTS W-FRONT HOOK	112
REAR HOOK-FOR ITALY	113
DRAWBAR-	114
TOOL KIT-	115



MASSEY FERGUSON

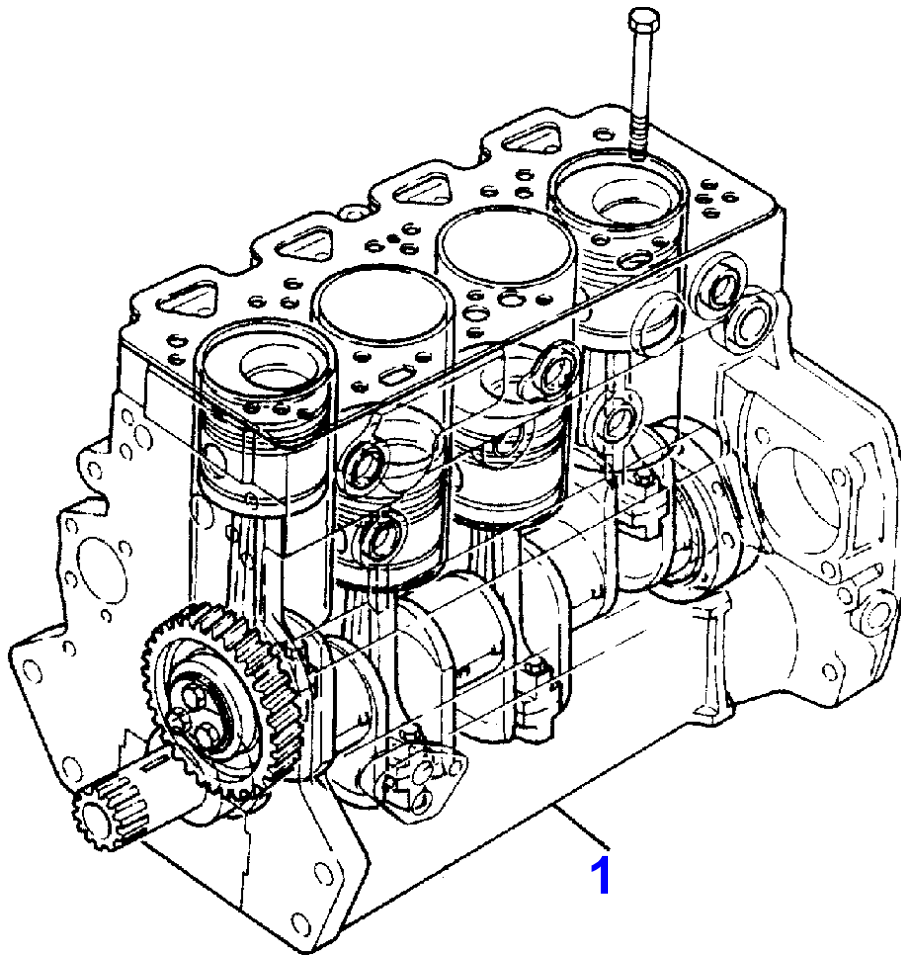
MF 376 XCF CRAWLER - 3540436

3540436

ENGINE ASSEMBLY-A4.236 ENGINE

1

Item	Part Number	Qty	Description	Comments
1	3553131M91	1	Engine	"LD31202"PK



Thank you so much for reading.
Please click the “Buy Now!”
button below to download the
complete manual.



After you pay.

You can download the most
perfect and complete manual in
the world immediately.

Our support email:

ebooklibonline@outlook.com