

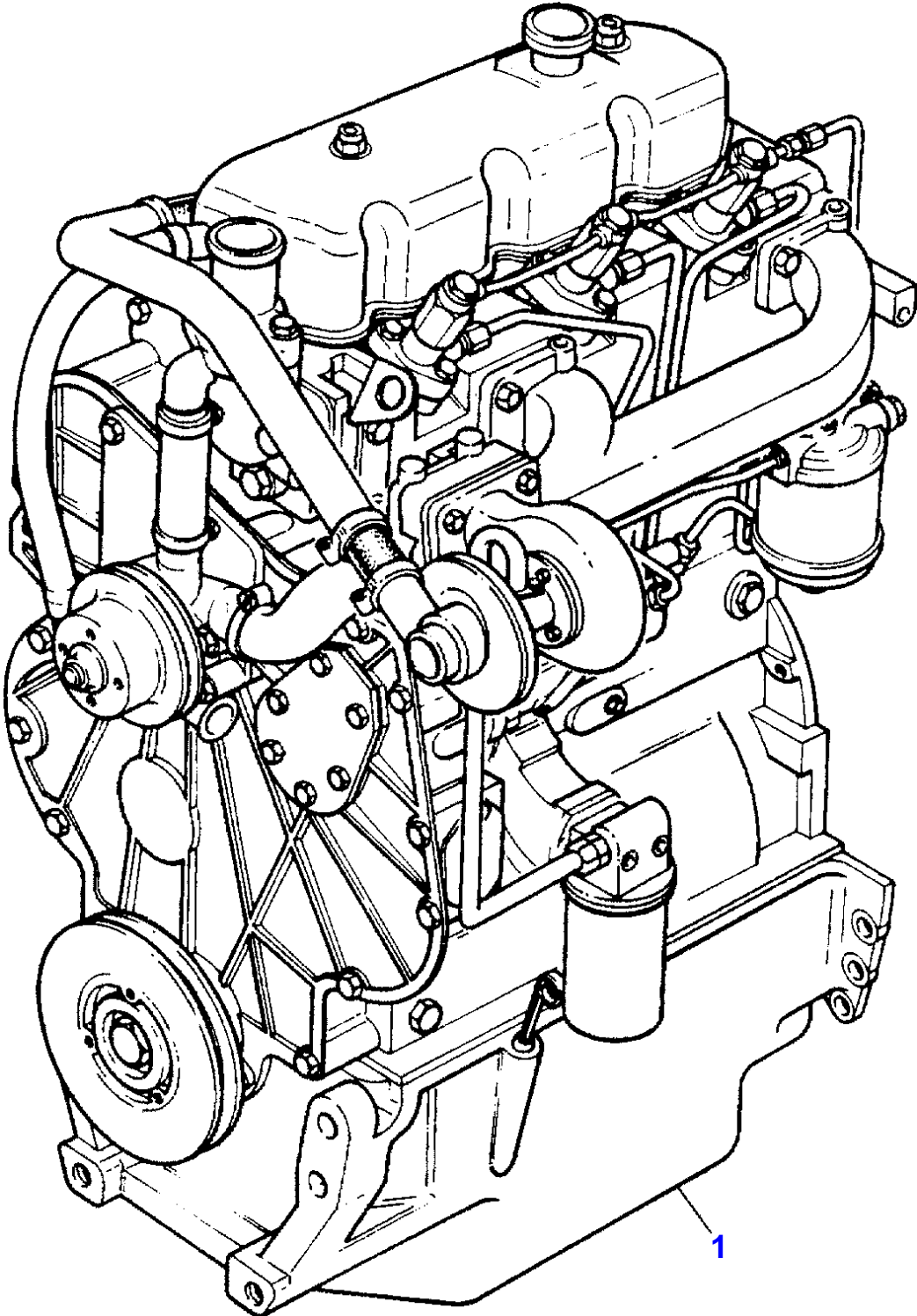
Page Title	Page Number
ENGINE ASSEMBLY-T3.152.4 ENGINE	1
SHORT ENGINE-TABLE PK ACEC9107	2
CYLINDER BLOCK-T3.152.4 ENGINE	3
CRANKSHAFT, PISTONS AND CONNECTING RODS-T3.152.4 ENGINE	4
CYLINDER HEAD-T3.152.4 ENGINE	5
ROCKER SHAFT-T3.152.4 ENGINE	6
TIMING GEAR AND CAMSHAFT-T3.152.4 ENGINE	7
FUEL INJECTION EQUIPMENT-T3.152.4 ENGINE	8
LUBRICATING OIL SUMP-T3.152.4 ENGINE	9
LUBRICATING OIL FILTER AND INTEGRAL COOLER-T3.152.4 ENGINE	10
WATER PUMP, THERMOSTAT AND HEAT EXCHANGER-T3.152.4 ENGINE	11
FUEL SYSTEM AND FILTER-T3.152.4 ENGINE	12
TURBOCHARGER-T3.152.4 ENGINE	13
TURBOCHARGER-T3.152.4 ENGINE	14
TURBOCHARGER-T3.152.4 ENGINE	15
ALTERNATOR POSITIONER-T3.152.4 ENGINE	16
JOINTS AND GASKETS-T3.152.4 ENGINE	17
HEATER KIT-COLD CLIMATE	18
ALTERNATOR	19
ALTERNATOR	20
ALTERNATOR-ISKRA TYPE	21
STARTER MOTOR-MARELLI TYPE	22
STARTER MOTOR-ISKRA TYPE	23
STARTER MOTOR-BOSCH	24
COOLING SYSTEM-FAN AND HOSES	25
COOLING SYSTEM-RADIATOR AND BRACKET	26
FUEL SYSTEM	27
FUEL TANK	28
DRY AIR FILTER-DRY AIR CLEANER	29
EXHAUST SYSTEM	30
EXHAUST SYSTEM	31
TURBOCHARGER-WITH EXHAUST HORIZONTAL	32
THROTTLE CONTROLS	33
THROTTLE CONTROLS	34
BATTERY	35
INSTRUMENT PANEL AND INSTRUMENTS	36
INSTRUMENT PANEL AND INSTRUMENTS	37
ELECTRONIC HARNESS	38
ELECTRICAL WIRING-FRONT	39
ELECTRICAL WIRING-REAR	40
LIGHTING EQUIPMENT	41
LIGHTING EQUIPMENT	42
CLUTCH-0.M.G. - 11	43
CLUTCH-LUK - 11	44
CLUTCH PEDAL AND LINKAGE	45
LOWER CLUTCH P.T.O.	46
CENTRE AXLE HOUSING AND TRANSMISSION HOUSING	47
CENTRE AXLE HOUSING AND TRANSMISSION HOUSING	48
TRANSMISSION	49
TRANSMISSION	50
SHIFT LEVERS	51
GEAR BOX-FOR SHUTTLE VERSION ONLY.	52
REDUCER OPTION-FOR SHUTTLE VERSION ONLY.	53
GEAR BOX-FOR SHUTTLE VERSION ONLY.	54
GEAR BOX-FOR SPECIAL OPTIONS VERSION ONLY	55
REDUCER OPTION-OVERDRIVE AND SHUTTLE VERSION	56
REDUCER OPTION-OVERDRIVE AND UNDERDRIVE VERSION	57
REDUCER OPTION-OVERDRIVE AND CREEPER VERSION	58
REDUCER OPTION-UNDERDRIVE AND SHUTTLE VERSION	59
REDUCER OPTION-UNDERDRIVE E CREEPER VERSION	60
REDUCER OPTION-SHUTTLE AND CREEPER VERSION	61
PTO SHAFT-STANDARD	62
PTO SHAFT-540/750/1000 R.P.M.	63
PTO-CONTROL-STANDARD	64
PTO-CONTROL-540/750/1000 R.P.M.	65
TRANSFER GEAR BOX AND DRIVE SHAFT:	66

TABLE OF CONTENT

4 WHEEL DRIVE CONTROLS	67
REAR AXLE	68
REAR AXLE	69
DIFFERENTIAL LOCK MECHANISM	70
DIFFERENTIAL LOCK MECHANISM	71
BRAKE AND CONTROLS-PEDALS	72
BRAKE AND CONTROLS-PIPINGS	73
BRAKES AND CONTROLS	74
BRAKES	75
MASTER CYLINDER-BRAKE PUMP	76
BRAKE CYLINDER	77
TRAILER BRAKES-FRANCE TYPE	78
TRAILER BRAKES-ITALY TYPE	79
REAR WHEELS	80
WHEELS FRONT	81
FRONT AXLE 2 WHEEL DRIVE	82
FRONT AXLE 4 WHEEL DRIVE	83
FRONT AXLE 4 WHEEL DRIVE-WITH DISCBRAKES	84
FRONT AXLE 4 WHEEL DRIVE	85
FRONT AXLE 4 WHEEL DRIVE	86
FRONT AXLE 4 WHEEL DRIVE	87
STEERING HYDRAULIC LINES	88
STEERING HYDRAULIC LINES	89
STEERING ORBITROL UNIT-2 WHEEL DRIVE	90
STEERING ORBITROL UNIT-4 WHEELS DRIVE	91
STEERING-PUMP-TUROLLA	92
STEERING-PUMP-BOSCH	93
STEERING CYLINDER-TRACTOR FP - GE	94
STEERING CYLINDER	95
HYDRAULIC EQUIPMENT-HIDRAULIC LINES STD.	96
HYDRAULIC EQUIPMENT-WITH REAR AND FRONT CONTROL VALVE	97
HYDRAULIC PUMP-TUROLLA	98
HYDRAULIC PUMP-BOSCH	99
HYDRAULIC PUMP-TUROLLA	100
HYDRAULIC PUMP-BOSCH	101
HYDRAULIC LIFT VALVE-WITH MECANICS RISER	102
HYDRAULIC LIFT-WITH MECANICS RISER	103
HYDRAULIC LIFT-WITH ELECTRONIC LIFT	104
HYDRAULIC LIFT - DETAILS	105
ELECTRICAL WIRING-WITH ELECTRONIC LIFT	106
ELECTRICAL WIRING-WITH ELECTRONIC LIFT	107
ELECTRICAL WIRING-CONTROL PANEL ELECTRONIC LIFT	108
HYDRAULIC LIFT VALVE-WITH ELECTRONIC LIFT	109
HYDRAULIC LIFT CYLINDER	110
MECHANICAL CONTROL LIFT	111
MECHANICAL CONTROL LIFT-INTERMIX	112
MECHANICAL CONTROL LIFT	113
AUXILIARY HYDRAULIC VALVE LINES-TILL TYPE	114
AUXILIARY HYDRAULIC VALVE LINES-TILL TYPE	115
AUXILIARY HYDRAULICS-CONTROL FOR 1.0 DISTRIBUTOR	116
AUXILIARY HYDRAULICS-CONTROL WITH 1.0 AND 2.0 DISTRIBUTOR.	117
AUXILIARY HYDRAULICS VALVE STANDARD-UP TO SERIAL N.B32126	118
AUXILIARY HYDRAULICS VALVE STANDARD-FROM SERIAL N.B32127	119
AUXILIARY HYDRAULICS FLOATING-UP TO SERIAL N.B32126	120
AUXILIARY HYDRAULICS FLOATING-FROM SERIAL N.B32127	121
AUXILIARY HYDRAULIC VALVE LINES-WITH 1.0 DISTRIBUTOR	122
AUXILIARY HYDRAULIC VALVE LINES-WITH 2.0 DISTRIBUTORES	123
AUXILIARY HYDRAULIC VALVE LINES-WITH 3.0 DISTRIBUTORES	124
AUXILIARY HYDRAULIC VALVE LINES-THIRD DISTRIBUTOR	125
AUXILIARY HYDRAULICS-CONTROL WITH 1.0 AND 2.0 DISTRIBUTOR.	126
AUXILIARY HYDRAULICS-CONTROL FOR 3.0 DISTRIBUTOR - HIDROIRMA	127
CONTROL VALVE-HIDROIRMA TYPE FOR REAR CONTROL VALVE	128
CONTROL VALVE-HIDROIRMA TYPE FOR REAR AND FRONT CONTROL VAL	129
AUXILIARY HYDRAULICS VALVE STANDARD-HIDROIRMA TYPE STANDARD	130
AUXILIARY HYDRAULICS VALVE STANDARD-HIDROIRMA TYPE STANDARD	131
AUXILIARY HYDRAULICS FLOATING-HIDROIRMA TYPE FLOATING	132
AUXILIARY HYDRAULICS FLOATING-HIDROIRMA TYPE FLOATING	133
.-HIDROIRMA TYPE.	134

TABLE OF CONTENT

.-HIDROIRMA TYPE.	135
UPPER AND LOWER LINKS AND RELATED PARTS	136
LINKAGE-QUICK ATTACH	137
LINKAGE-QUICK ATTACH	138
LINKAGE-QUICK ATTACH-DETAILS	139
SHEET METAL	140
SIDE COVER-SHIELD FAN	141
SHEET METAL	142
SHEET METAL	143
SHEET METAL	144
SHEET METAL-CLADDING PLATFORM	145
BALE EJECTOR KIT	146
BALE EJECTOR KIT	147
BALE EJECTOR KIT	148
SUPPORTS PLATFORM	149
SHEET METAL-CLADDING PLATFORM	150
SHEET METAL-CHASSIS AND SUSPENSION	151
FENDERS - FRONT-4 WHEEL DRIVE	152
SEAT	153
SEAT	154
SEAT	155
SEAT	156
DRIVER SEAT	157
TRACTOR CAB	158
TRACTOR CAB-FRONT - WINDSCRENN	159
TRACTOR CAB-LOWER FIXED COMPONENTS	160
TRACTOR CAB	161
TRACTOR CAB-REAR AND BRACKET	162
TRACTOR CAB-LEFT SIDE - RIGHT SIDE	163
TRACTOR CAB-OUTSIDE AND INTERNAL	164
ROTATING LIGHT	165
WEIGHT FRAME AND WEIGHTS W	166
REAR HITCH	167
REAR HOOK-STANDARD	168
DRAWBAR-HEAVY DUTY	169
TOOL KIT	170



MASSEY FERGUSON

MF 364 SQ CAB TRACTOR - 3540965

3540965

ENGINE ASSEMBLY-T3.152.4 ENGINE

1

Item	Part Number	Qty	Description	Comments
1	3553117M91	1	Engine	[C] "CN31198"
1	3553116M91	1	Engine	[D] "CN31225"
				[C] STD.HYDRAULIC LINES
				[D] SINGLE HYDRAULIC LINES

Thank you so much for reading.  
Please click the “Buy Now!”  
button below to download the  
complete manual.



After you pay.

You can download the most  
perfect and complete manual in  
the world immediately.

Our support email:

[ebooklibonline@outlook.com](mailto:ebooklibonline@outlook.com)