

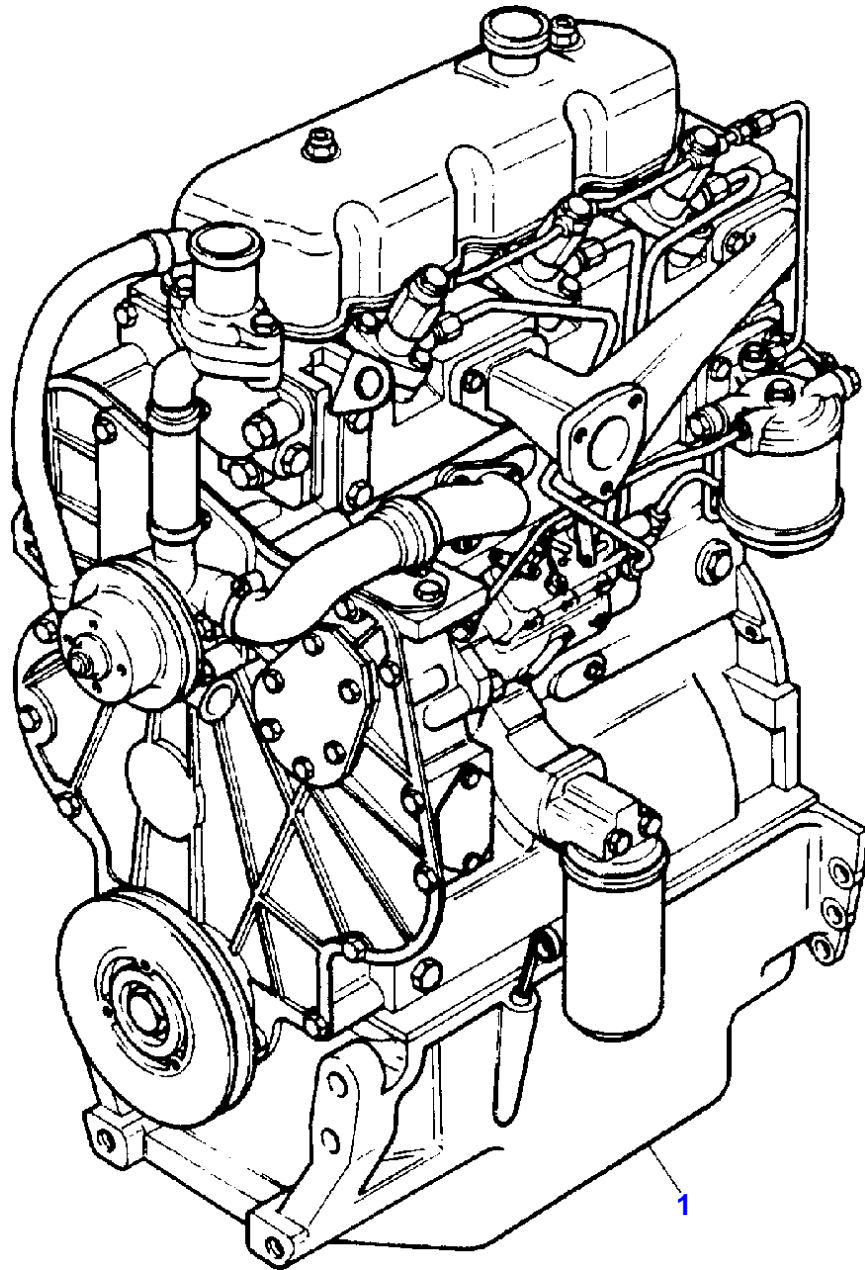
Page Title	Page Number
ENGINE ASSEMBLY-AD3.152 ENGINE	1
SHORT ENGINE-TABLE PK ACEC9106	2
CYLINDER BLOCK-AD3.152 ENGINE	3
CRANKSHAFT, PISTONS AND CONNECTING RODS-AD3.152 ENGINE	4
CYLINDER HEAD-AD3.152 ENGINE	5
ROCKER SHAFT-AD3.152 ENGINE	6
TIMING GEAR AND CAMSHAFT-AD3.152 ENGINE	7
FUEL INJECTION EQUIPMENT-AD3.152 ENGINE	8
LUBRICATING OIL SUMP-AD3.152 ENGINE	9
LUBRICATING OIL FILTER AND INTEGRAL COOLER-AD3.152 ENGINE	10
WATER PUMP, THERMOSTAT AND HEAT EXCHANGER-AD3.152 ENGINE	11
FUEL SYSTEM AND FILTER-AD3.152 ENGINE	12
AIR INDUCTION AND EXHAUST SYSTEM	13
ALTERNATOR POSITIONER-AD3.152 ENGINE	14
JOINTS AND GASKETS-AD3.152 ENGINE	15
HEATER KIT-COLD CLIMATE	16
ALTERNATOR	17
ALTERNATOR	18
ALTERNATOR-ISKRA TYPE	19
STARTER MOTOR-MARELLI TYPE	20
STARTER MOTOR-ISKRA TYPE	21
STARTER MOTOR-BOSCH	22
COOLING SYSTEM-FAN AND HOSES	23
COOLING SYSTEM-RADIATOR AND BRACKET	24
FUEL SYSTEM	25
FUEL TANK	26
DRY AIR FILTER-DRY AIR CLEANER	27
EXHAUST SYSTEM	28
THROTTLE CONTROLS	29
THROTTLE CONTROLS	30
BATTERY	31
INSTRUMENT PANEL AND INSTRUMENTS	32
INSTRUMENT PANEL AND INSTRUMENTS	33
ELECTRONIC HARNESS	34
ELECTRICAL WIRING-FRONT	35
ELECTRICAL WIRING-REAR	36
LIGHTING EQUIPMENT	37
LIGHTING EQUIPMENT	38
CLUTCH-O.M.G. - 11	39
CLUTCH-LUK - 11	40
CLUTCH PEDAL AND LINKAGE	41
LOWER CLUTCH P.T.O.	42
CENTRE AXLE HOUSING AND TRANSMISSION HOUSING	43
CENTRE AXLE HOUSING AND TRANSMISSION HOUSING	44
TRANSMISSION	45
TRANSMISSION	46
SHIFT LEVERS	47
GEAR BOX-FOR SHUTTLE VERSION ONLY.	48
REDUCER OPTION-FOR SHUTTLE VERSION ONLY.	49
GEAR BOX-FOR SHUTTLE VERSION ONLY.	50
GEAR BOX-FOR SPECIAL OPTIONS VERSION ONLY	51
REDUCER OPTION-OVERDRIVE AND SHUTTLE VERSION	52
REDUCER OPTION-OVERDRIVE AND UNDERDRIVE VERSION	53
REDUCER OPTION-OVERDRIVE AND CREEPER VERSION	54
REDUCER OPTION-UNDERDRIVE AND SHUTTLE VERSION	55
REDUCER OPTION-UNDERDRIVE E CREEPER VERSION	56
REDUCER OPTION-SHUTTLE AND CREEPER VERSION	57
PTO SHAFT-STANDARD	58
PTO SHAFT-540/750/1000 R.P.M.	59
PTO-CONTROL-STANDARD	60
PTO-CONTROL-540/750/1000 R.P.M.	61
TRANSFER GEAR BOX AND DRIVE SHAFT:	62
4 WHEEL DRIVE CONTROLS	63
REAR AXLE	64
REAR AXLE	65
DIFFERENTIAL LOCK MECHANISM	66

TABLE OF CONTENT

DIFFERENTIAL LOCK MECHANISM	67
BRAKE AND CONTROLS-PEDALS	68
BRAKE AND CONTROLS-PIPINGS	69
BRAKES AND CONTROLS	70
BRAKES	71
MASTER CYLINDER-BRAKE PUMP	72
BRAKE CYLINDER	73
TRAILER BRAKES-FRANCE TYPE	74
REAR WHEELS	75
WHEELS FRONT	76
FRONT AXLE 2 WHEEL DRIVE	77
FRONT AXLE 4 WHEEL DRIVE	78
FRONT AXLE 4 WHEEL DRIVE-WITH DISCBRAKES	79
FRONT AXLE 4 WHEEL DRIVE	80
FRONT AXLE 4 WHEEL DRIVE	81
FRONT AXLE 4 WHEEL DRIVE	82
STEERING HYDRAULIC LINES	83
STEERING HYDRAULIC LINES	84
STEERING ORBITROL UNIT-2 WHEEL DRIVE	85
STEERING ORBITROL UNIT-4 WHEELS DRIVE	86
STEERING-PUMP-TUROLLA	87
STEERING-PUMP-BOSCH	88
STEERING CYLINDER	89
STEERING CYLINDER	90
HYDRAULIC EQUIPMENT-HIDRAULIC LINES STD.	91
HYDRAULIC EQUIPMENT-WITH REAR AND FRONT CONTROL VALVE	92
HYDRAULIC PUMP-TUROLLA	93
HYDRAULIC PUMP-BOSCH	94
HYDRAULIC PUMP-TUROLLA	95
HYDRAULIC PUMP-BOSCH	96
HYDRAULIC LIFT VALVE-WITH MECANICS RISER	97
HYDRAULIC LIFT-WITH MECANICS RISER	98
HYDRAULIC LIFT-WITH ELECTRONIC LIFT	99
HYDRAULIC LIFT - DETAILS	100
ELECTRICAL WIRING-WITH ELECTRONIC LIFT	101
ELECTRICAL WIRING-WITH ELECTRONIC LIFT	102
ELECTRICAL WIRING-CONTROL PANEL ELECTRONIC LIFT	103
HYDRAULIC LIFT VALVE-WITH ELECTRONIC LIFT	104
HYDRAULIC LIFT CYLINDER	105
MECHANICAL CONTROL LIFT	106
MECHANICAL CONTROL LIFT-INTERMIX	107
MECHANICAL CONTROL LIFT	108
AUXILIARY HYDRAULIC VALVE LINES-TILL TYPE	109
AUXILIARY HYDRAULIC VALVE LINES-TILL TYPE	110
AUXILIARY HYDRAULIC VALVE LINES-THIRD DISTRIBUTOR TILL	111
AUXILIARY HYDRAULICS-CONTROL FOR 1.0 DDISTRIBUTOR	112
AUXILIARY HYDRAULICS-CONTROL WITH 1.0 AND 2.0 DISTRIBUTOR.	113
AUXILIARY HYDRAULICS-CONTROL FOR 3.0 DDISTRIBUTOR TILL	114
AUXILIARY HYDRAULICS VALVE STANDARD-UP TO SERIAL N.B32126	115
AUXILIARY HYDRAULICS VALVE STANDARD-FROM SERIAL N.B32127	116
AUXILIARY HYDRAULICS FLOATING-UP TO SERIAL N.B32126	117
AUXILIARY HYDRAULICS FLOATING-FROM SERIAL N.B32127	118
AUXILIARY HYDRAULIC VALVE LINES-WITH 1.0 DISTRIBUTOR	119
AUXILIARY HYDRAULIC VALVE LINES-WITH 2.0 DISTRIBUTORES	120
AUXILIARY HYDRAULIC VALVE LINES-WITH 3.0 DISTRIBUTORES	121
AUXILIARY HYDRAULIC VALVE LINES-WITH 4.0 DISTRIBUTORES	122
AUXILIARY HYDRAULICS-CONTROL WITH 1.0 AND 2.0 DISTRIBUTOR.	123
AUXILIARY HYDRAULICS-CONTROL FOR 3.0 DISTRIBUTOR - HIDROIRMA	124
AUXILIARY HYDRAULICS-CONTROL FOR 4.0 DISTRIBUTOR -HIDROIRMA	125
CONTROL VALVE-HIDROIRMA TYPE FOR REAR CONTROL VALVE	126
CONTROL VALVE-HIDROIRMA TYPE FOR REAR AND FRONT CONTROL VAL	127
AUXILIARY HYDRAULICS VALVE STANDARD-HIDROIRMA TYPE STANDARD	128
AUXILIARY HYDRAULICS VALVE STANDARD-HIDROIRMA TYPE STANDARD	129
AUXILIARY HYDRAULICS FLOATING-HIDROIRMA TYPE FLOATING	130
AUXILIARY HYDRAULICS FLOATING-HIDROIRMA TYPE FLOATING	131
.-HIDROIRMA TYPE.	132
.-HIDROIRMA TYPE.	133
UPPER AND LOWER LINKS AND RELATED PARTS	134

TABLE OF CONTENT

LINKAGE-QUICK ATTACH	135
LINKAGE-QUICK ATTACH	136
LINKAGE-QUICK ATTACH-DETAILS	137
LINKAGE-QUICK ATTACH	138
SHEET METAL	139
SIDE COVER-SHIELD FAN	140
SHEET METAL	141
SHEET METAL	142
SHEET METAL-CLADDING PLATFORM	143
SHEET METAL-CLADDING PLATFORM	144
BALE EJECTOR KIT	145
BALE EJECTOR KIT	146
BALE EJECTOR KIT	147
SUPPORTS PLATFORM	148
SHEET METAL-CLADDING PLATFORM	149
SHEET METAL-CHASSIS AND SUSPENSION	150
FENDERS - FRONT-4 WHEEL DRIVE	151
SEAT	152
SEAT	153
SEAT	154
SEAT	155
DRIVER SEAT	156
TRACTOR CAB	157
TRACTOR CAB-FRONT - WINDSCREEN	158
TRACTOR CAB-LOWER FIXED COMPONENTS	159
TRACTOR CAB	160
TRACTOR CAB-REAR AND BRACKET	161
TRACTOR CAB-LEFT SIDE - RIGHT SIDE	162
TRACTOR CAB-OUTSIDE AND INTERNAL	163
ROTATING LIGHT	164
WEIGHT FRAME AND WEIGHTS W	165
REAR HITCH	166
REAR HOOK-STANDARD	167
DRAWBAR-HEAVY DUTY	168
REAR HOOK-WITH 6 POSITIONS	169
REAR HITCH	170
TOOL KIT	171



MASSEY FERGUSON

MF 354 AQ CAB TRACTOR - 3540968

3540968

ENGINE ASSEMBLY-AD3.152 ENGINE

1

Item	Part Number	Qty	Description	Comments
1	3553118M91	1	Engine	[A] "CE31197"
1	3553128M91	1	ENGINE	[B] "CE31212"
				[A] STD.HYDRAULIC LINES
				[B] SINGLE HYDRAULIC LINES

Thank you so much for reading.  
Please click the “Buy Now!”  
button below to download the  
complete manual.



After you pay.

You can download the most  
perfect and complete manual in  
the world immediately.

Our support email:

[ebooklibonline@outlook.com](mailto:ebooklibonline@outlook.com)