

Page Title	Page Number
ENGINE ASSEMBLY	1
SHORT ENGINE	2
CYLINDER BLOCK-AD3.152 ENGINE	3
CRANKSHAFT, PISTONS AND CONNECTING RODS-AD3.152 ENGINE	4
CYLINDER HEAD-AD3.152 ENGINE	5
ROCKER SHAFT-AD3.152 ENGINE	6
TIMING GEAR AND CAMSHAFT-AD3.152 ENGINE	7
FUEL INJECTION EQUIPMENT-AD3.152 ENGINE	8
LUBRICATING OIL SUMP-AD3.152 ENGINE	9
LUBRICATING OIL FILTER AND INTEGRAL COOLER-AD3.152 ENGINE	10
WATER PUMP, THERMOSTAT AND HEAT EXCHANGER-AD3.152 ENGINE	11
FUEL SYSTEM AND FILTER-AD3.152 ENGINE	12
AIR INDUCTION AND EXHAUST SYSTEM	13
ALTERNATOR POSITIONER-AD3.152 ENGINE	14
JOINTS AND GASKETS-TOP SERVICE KIT	15
JOINTS AND GASKETS-BOTTOM SERVICE KIT	16
ALTERNATOR-NIPPON DENSO TYPE (ISEKI)	17
ALTERNATOR POSITIONER-NIPPON DENSO TYPE (ISEKI)	18
STARTER MOTOR-PERKINS TYPE (MARELLI)	19
STARTER MOTOR-ISKRA TYPE	20
COOLING SYSTEM-FAN AND HOSES	21
COOLING SYSTEM-RADIATOR AND BRACKET	22
RADIATOR, ENGINE AND FRONT AXLE	23
COOLING SYSTEM-ADDITIONAL TANK	24
FUEL TANK	25
FUEL TANK	26
FUEL TANK AND ATTACHMENTS	27
DRY AIR FILTER	28
EXHAUST SYSTEM	29
EXHAUST SYSTEM	30
HAND AND FOOT THROTTLE CONTROLS	31
HAND AND FOOT THROTTLE CONTROLS	32
CABLE HAND THROTTLE CONTROL STOP ENGINE	33
BATTERY	34
ELECTRONIC HARNESS	35
ELECTRONIC HARNESS	36
INSTRUMENT PANEL-WITH DIGITAL INSTRUMENT	37
INSTRUMENT PANEL-WITH INSTRUMENT ANALOGUE	38
ELECTRICAL WIRING-FRONT	39
ELECTRICAL WIRING-REAR	40
ELECTRICAL WIRING-PLATFORM	41
LIGHTING EQUIPMENT-WITH CAB	42
LIGHTING EQUIPMENT-ONLY FOR TRACTORS WITHOUT CAB	43
SINGLE CLUTCH-LUK - 11	44
CLUTCH-LUK - 11	45
CLUTCH PEDAL AND LINKAGE	46
CLUTCH PEDAL AND LINKAGE-HOSE DEVICE CONTROL	47
CLUTCH PEDAL AND LINKAGE-HOSE DEVICE CONTROL	48
CLUTCH-LUBRICATOR	49
LOWER CLUTCH P.T.O.	50
CENTRE AXLE HOUSING AND TRANSMISSION HOUSING-ENGINE HOUSING-TRASMISSION HOUSING	51
TRANSMISSION	52
MANUAL SHUTTLE	53
TRANSMISSION-FOR SHUTTLE	54
MANUAL SHUTTLE-CONTROL	55
MANUAL SHUTTLE-CONTROL	56
TRANSMISSION	57
TRANSMISSION-FOR NORMAL	58
TRANSMISSION CONTROL-REDUCER CONTROL OPZIONS	59
TRANSMISSION CONTROL	60
TRANSMISSION-OUTSIDE	61
TRANSMISSION	62
REDUCER CONTROL OPZIONS	63
REDUCER CONTROL OPZIONS-CONTROL ROD AND COVER	64
TRANSMISSION	65
CREEPER GEARBOX	66

TABLE OF CONTENT

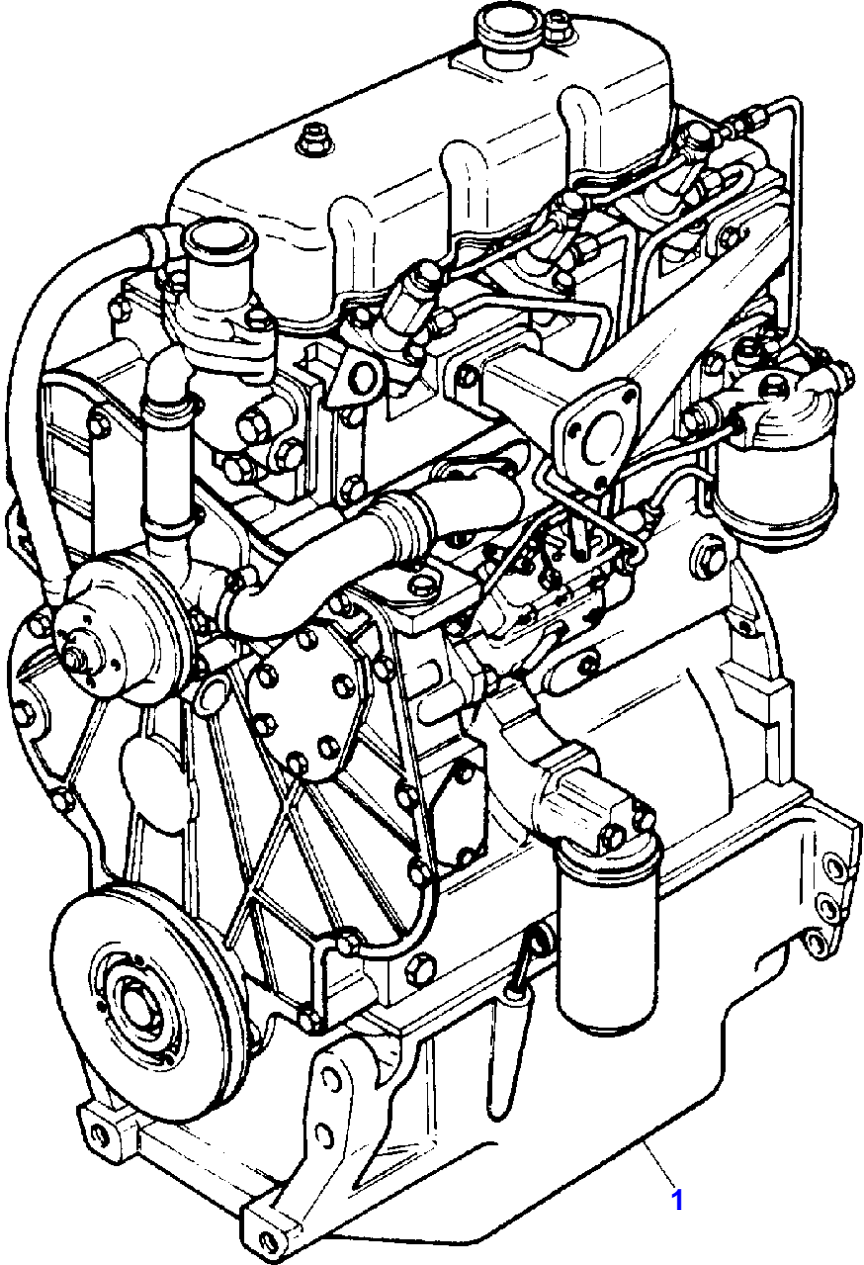
CREEPEER GEARBOX CONTROL	67
TRANSMISSION	68
TRANSMISSION-GEAR	69
TRANSMISSION	70
DRIVE SHAFT	71
DRIVE SHAFT	72
PTO-PROPORTIONAL DRIVE MECHANISM-CONTROL SHAFT	73
POWER TAKE OFF DRIVE MECHANISM	74
POWER TAKE OFF DRIVE MECHANISM	75
POWER TAKE OFF DRIVE MECHANISM	76
POWER TAKE OFF DRIVE MECHANISM	77
PTO DRIVE MECHANISM-FORK	78
PTO DRIVE MECHANISM-FORK	79
PTO DRIVE MECHANISM-WITH GROUND SPEED POWER TAKE OFF	80
PTO DRIVE MECHANISM-DRIVING LEVER	81
PTO DRIVE MECHANISM-WITH GROUND SPEED POWER TAKE OFF	82
REAR AXLE	83
REAR AXLE	84
REAR AXLE	85
REAR AXLE	86
REAR AXLE DIFFERENTIAL LOCK MECHANISM	87
DIFFERENTIAL LOCK CONTROLS-FOR TRACTOR TOP VERSION	88
DIFFERENTIAL LOCK CONTROLS-FOR TRACTOR DESP. TECHNO VERSION	89
DIFFERENTIAL LOCK CONTROLS-FOR TRACTOR DESP. TECHNO VERSION	90
BRAKES-HYDRAULIQUE CONTROL	91
BRAKES	92
REAR AND FRONT BRAKES	93
BRAKES-DEVICE CONTROL	94
MASTER CYLINDER	95
BRAKE CYLINDER	96
BRAKES	97
TRAILER BRAKES-ITALY TYPE	98
TRAILER BRAKES-FRANCE TYPE	99
SUPPORT LEVER WITH TRAILOR BRAKING	100
REAR WHEELS	101
REAR WHEELS	102
FRONT WHEELS	103
FRONT WHEELS-SHERPA MODEL	104
STEERING CYLINDER	105
FRONT AXLE 2 WHEEL DRIVE	106
FRONT AXLE 2 WHEEL DRIVE	107
FRONT AXLE 4 WHEEL DRIVE	108
FRONT AXLE 4 WHEEL DRIVE-WITHOUT FRONT BRAKING	109
FRONT AXLE 4 WHEEL DRIVE-WITHOUT FRONT BRAKING	110
FRONT AXLE 4 WHEEL DRIVE-WITHOUT FRONT BRAKING	111
FRONT AXLE 4 WHEEL DRIVE-WITHOUT FRONT BRAKING	112
FRONT AXLE 4 WHEEL DRIVE-WITHOUT FRONT BRAKING	113
FRONT AXLE 4 WHEEL DRIVE-WITHOUT FRONT BRAKING	114
FRONT AXLE 4 WHEEL DRIVE-WITHOUT FRONT BRAKING	115
FRONT AXLE 4 WHEEL DRIVE-WITHOUT FRONT BRAKING	116
FRONT AXLE 4 WHEEL DRIVE-WITHOUT FRONT BRAKING	117
FRONT AXLE 4 WHEEL DRIVE-WITH FRONT BRAKING	118
FRONT AXLE 4 WHEEL DRIVE-WITH FRONT BRAKING	119
FRONT AXLE 4 WHEEL DRIVE-WITH FRONT BRAKING	120
FRONT AXLE 4 WHEEL DRIVE-WITH FRONT BRAKING	121
FRONT AXLE 4 WHEEL DRIVE-WITH FRONT BRAKING	122
FRONT AXLE 4 WHEEL DRIVE-WITH FRONT BRAKING	123
FRONT AXLE 4 WHEEL DRIVE-WITH FRONT BRAKING	124
FRONT AXLE 4 WHEEL DRIVE-WITH FRONT BRAKING	125
FRONT AXLE 4 WHEEL DRIVE-WITH FRONT BRAKING	126
FRONT AXLE 4 WHEEL DRIVE-WITH FRONT BRAKING	127
FRONT AXLE 4 WHEEL DRIVE-WITH FRONT BRAKING	128
FRONT AXLE 4 WHEEL DRIVE-WITH FRONT BRAKING	129
FRONT AXLE 4 WHEEL DRIVE-WITH FRONT BRAKING	130
FRONT AXLE 4 WHEEL DRIVE-SHERPA MODEL	131
FRONT AXLE 4 WHEEL DRIVE-SHERPA MODEL	132
FRONT AXLE 4 WHEEL DRIVE-SHERPA MODEL	133
FRONT AXLE 4 WHEEL DRIVE-SHERPA MODEL	134

TABLE OF CONTENT

FRONT AXLE 4 WHEEL DRIVE-SHERPA MODEL	135
FRONT AXLE 4 WHEEL DRIVE-SHERPA MODEL	136
FRONT AXLE 4 WHEEL DRIVE-SHERPA MODEL	137
FRONT AXLE 4 WHEEL DRIVE-SHERPA MODEL	138
FRONT AXLE 4 WHEEL DRIVE-SHERPA MODEL	139
FRONT AXLE 4 WHEEL DRIVE-SHERPA MODEL	140
FRONT AXLE 4 WHEEL DRIVE-SHERPA MODEL	141
STEERING HYDRAULIC LINES	142
STEERING HYDRAULIC LINES	143
STEERING HYDRAULIC LINES-4 WHEELS DRIVE	144
STEERING HYDRAULIC LINES-4 WHEELS DRIVE	145
STEERING HYDRAULIC LINES	146
STEERING ORBITROL UNIT-2 WHEE DRIVE	147
POWER STEERING VALVE-4 WHEELS DRIVE	148
STEERING ADJUSTABLE	149
STEERING-RIGID COLUMN	150
STEERING ADJUSTABLE	151
HYDRAULICS EQUIPMENT	152
TRANSMISSION OIL PIPE	153
TRASMISSION LUBRICATION ALIMENTATION	154
TRASMISSION LUBRICATION ALIMENTATION	155
TRASMISSION LUBRICATION ALIMENTATION	156
INDEPENDANT POWER TAKE OFF CLUTCH	157
INDEPENDANT POWER TAKE OFF CLUTCH	158
HYDRAULICS EQUIPMENT	159
HYDRAULIC PUMP-BOSCH	160
HYDRAULIC PUMP-CESSNA	161
MECHANICAL CONTROL LIFT-CONTROL PANEL	162
MECHANICAL CONTROL LIFT	163
MECHANICAL CONTROL LIFT	164
MECHANICAL CONTROL LIFT-DRIVING LEVER	165
MECHANICAL CONTROL LIFT-DRIVING LEVER	166
HYDRAULIC LIFT-WITH MECANICS RISER	167
HYDRAULIC LIFT-WITH MECANICS RISER	168
LINKAGE-WITH MECANICS RISER	169
HYDRAULIC LIFT VALVE-WITH MECANICS RISER	170
HYDRAULICS EQUIPMENT-WITH MECANICS RISER	171
REAR HYDRAULICS	172
HYDRAULIC LIFT CYLINDER	173
HYDRAULIC HAND LIFT	174
AUXILIARY HYDRAULIC VALVE LINES	175
AUXILIARY HYDRAULIC VALVE LINES-SALAMI TYPE	176
AUXILIARY HYDRAULIC VALVE LINES-SALAMI TYPE	177
CONTROLS ,AUXILIARY HYDRAULICS	178
PLATE FOR AUXILIARY HYDRAULIC VALVE-SALAMI TYPE	179
HOLDING FIXTUR COVER AUXILIARY HYDRAULIC VALVE.-SALAMI TYPE	180
AUXILIARY HYDRAULICS VALVE STANDARD-SALAMI TYPE	181
AUXILIARY HYDRAULICS VALVE STANDARD-SALAMI TYPE	182
AUXILIARY HYDRAULICS FLOATING-SALAMI TYPE	183
AUXILIARY HYDRAULICS FLOATING-SALAMI TYPE	184
AUXILIARY HYDRAULICS VAVE KICK-OUT-SALAMI TYPE	185
AUXILIARY HYDRAULICS VAVE KICK-OUT-SALAMI TYPE	186
AUXILIARY VALVE FOR HYDRAULIC ENGINE-SALAMI TYPE	187
AUXILIARY VALVE FOR HYDRAULIC ENGINE-SALAMI TYPE	188
LINKAGE-QUICK ATTACH	189
LINKAGE-QUICK ATTACH	190
LINKAGE-QUICK ATTACH	191
LINKAGE-NORMAL DUTY	192
LINKAGE-NORMAL DUTY	193
SHEET METAL	194
SHEET METAL	195
DECALS	196
SIDE COVER-SHIELD FAN	197
DECALS	198
DECALS	199
DECALS	200
SEAT	201
SEAT	202

TABLE OF CONTENT

SEAT	203
SEAT	204
SEAT	205
SECONDARY PASSENGER SEAT	206
FENDERS AND PLATFORM BRACKETS-WITH 2 POST ROPS	207
SUPPORTS PLATFORM	208
TRACTOR CAB	209
TRACTOR CAB	210
TRACTOR CAB	211
TRACTOR CAB	212
TRACTOR CAB-ACCESSORIES	213
TRACTOR CAB-ACCESSORIES	214
TRACTOR CAB	215
TRACTOR CAB-CLADDING	216
TRACTOR CAB-ACCESSORIES	217
TRACTOR CAB-ACCESSORIES	218
TRACTOR CAB	219
TRACTOR CAB-CLADDING	220
TRACTOR CAB	221
TRACTOR CAB-CLADDING	222
TRACTOR CAB-WINDSCREEN WIPER AND WASHER	223
TRACTOR CAB	224
TRACTOR CAB	225
TRACTOR	226
TRACTOR CAB	227
TRACTOR CAB	228
TRACTOR CAB	229
ELECTRICAL WIRING	230
TRACTOR CAB	231
TRACTOR CAB-KITS	232
TRACTOR CAB-	233
TRACTOR CAB-FILTER AND CONVEYOR	234
TRACTOR CAB-HAND HEATER OPERATING	235
ROTATING LIGHT-WITH 2 POST ROPS	236
ROTATING LIGHT-FOR CAB	237
WEIGHT FRAME AND WEIGHTS W	238
HOOK PULL	239
DRAWBAR-	240
HOOK PULL	241
DRAWBAR-	242
TOOL KIT	243
SEALERS AND LIQUID GASKETS ADHESIES	244
AUXILIARY HYDRAULIC VALVE LINES-KIT CONTROL WITH 1.O DISTRIBUTORE	245
AUXILIARY HYDRAULIC VALVE LINES-KIT CONTROL WITH 2.O DISTRIBUTORES	246
AUXILIARY HYDRAULIC VALVE LINES-KIT CONTROL WITH 3.O DISTRIBUTORES	247
HOOK PULL-KITS	248
DRAWBAR-KITS	249
REAR WHEELS-KIT WEIGHTS	250



Thank you so much for reading.
Please click the “Buy Now!”
button below to download the
complete manual.



After you pay.

You can download the most
perfect and complete manual in
the world immediately.

Our support email:

ebooklibonline@outlook.com