

Page Title	Page Number
ENGINE ASSEMBLY-AD3.152 ENGINE	1
SHORT ENGINE-TABLE PK ACEC9106	2
CYLINDER BLOCK-AD3.152 ENGINE	3
CRANKSHAFT, PISTONS AND CONNECTING RODS-AD3.152 ENGINE	4
CYLINDER HEAD-AD3.152 ENGINE	5
ROCKER SHAFT-AD3.152 ENGINE	6
AIR INDUCTION AND EXHAUST SYSTEM	7
TIMING GEAR AND CAMSHAFT-AD3.152 ENGINE	8
FUEL INJECTION EQUIPMENT-AD3.152 ENGINE	9
LUBRICATING OIL SUMP-AD3.152 ENGINE	10
LUBRICATING OIL FILTER AND INTEGRAL COOLER-AD3.152 ENGINE	11
WATER PUMP, THERMOSTAT AND HEAT EXCHANGER-AD3.152 ENGINE	12
FUEL SYSTEM AND FILTER-AD3.152 ENGINE	13
ALTERNATOR POSITIONER-AD3.152 ENGINE	14
JOINTS AND GASKETS-AD3.152 ENGINE	15
HEATER KIT-COLD CLIMATE	16
ALTERNATOR	17
ALTERNATOR	18
ALTERNATOR POSITIONER	19
STARTER MOTOR-ISKRA TYPE	20
COOLING SYSTEM-FAN AND HOSES	21
COOLING SYSTEM-RADIATOR AND BRACKET	22
COOLING SYSTEM-RADIATOR AND BRACKET	23
FUEL SYSTEM	24
FUEL TANK-TRACTOR 354 SP	25
FUEL TANK-TRACTOR 354 FP	26
FUEL TANK-TRACTOR GE	27
DRY AIR FILTER	28
EXHAUST SYSTEM-TRACTOR SP - FP	29
EXHAUST SYSTEM-TRACTOR GE	30
HAND AND FOOT THROTTLE CONTROLS	31
BATTERY	32
ELECTRICAL WIRING-FRONT	33
INSTRUMENT PANEL-EQUIPMENT INSTRUMENT PANEL	34
INSTRUMENT PANEL-WITH MECANICS RISER	35
INSTRUMENT PANEL-WITH ELECTRONIC LIFT - NOT INCLUDED TRACTOR	36
ELECTRICAL WIRING-EQUIPMENT INSTRUMENT PANEL	37
ELECTRICAL WIRING-REAR	38
ELECTRICAL WIRING-REAR - NOT INCLUDED TRACTOR GE	39
ELECTRICAL WIRING-EQUIPMENT FOR LIFT	40
LIGHTING EQUIPMENT	41
LIGHTING EQUIPMENT	42
CLUTCH-O.M.G. - 11	43
CLUTCH-LUK - 11	44
CLUTCH PEDAL AND LINKAGE	45
LOWER CLUTCH P.T.O.	46
LOWER CLUTCH P.T.O.	47
FRONT CENTRE HOUSING-CLUTCH BOX	48
TRANSMISSION	49
TRANSMISSION	50
TRANSMISSION	51
TRANSMISSION-FOR NORMAL	52
GEAR BOX: CONTROLS	53
GEAR BOX: CONTROLS-FOR SHUTTLE VERSION ONLY.	54
GEAR BOX: CONTROLS-FOR SPECIAL OPTIONS VERSION ONLY	55
SHIFT LEVERS	56
REDUCER OPTION-FOR SHUTTLE VERSION ONLY: TRACTOR SP - FP - GE	57
REDUCER OPTION-UNDERDRIVE AND SHUTTLE VERSION	58
REDUCER OPTION-OVERDRIVE AND SHUTTLE VERSION	59
REDUCER OPTION-OVERDRIVE AND UNDERDRIVE VERSION	60
REDUCER OPTION-UNDERDRIVE E CREEPER VERSION	61
REDUCER OPTION-SHUTTLE AND CREEPER VERSION	62
REDUCER OPTION-OVERDRIVE AND CREEPER VERSION	63
PTO SHAFT-	64
PTO SHAFT-540/750 R.P.M.	65
PTO-CONTROL	66

TABLE OF CONTENT

PTO-CONTROL-540/750 R.P.M.	67
TRANSFER GEAR BOX AND DRIVE SHAFT:	68
TRANSFER GEAR BOX AND DRIVE SHAFT:	69
REAR AXLE	70
REAR AXLE-TRACTOR SP	71
REAR AXLE-TRACTOR FP	72
REAR AXLE-TRACTOR GE	73
DIFFERENTIAL LOCK CONTROLS	74
BRAKES	75
BRAKES-PIPINGS	76
BRAKES-DEVICE CONTROL	77
BRAKES	78
MASTER CYLINDER-BRAKE PUMP	79
BRAKE CYLINDER	80
KIT TRAILER BRAKES-NOT INCLUDED GE TRACTOR	81
REAR WHEELS-TRACTOR SP	82
REAR WHEELS-TRACTOR FP	83
REAR WHEELS-TRACTOR GE	84
FRONT WHEELS-TRACTOR SP - FP	85
FRONT WHEELS-TRACTOR GE	86
FRONT AXLE 2 WHEEL DRIVE-TRACTOR FP	87
FRONT AXLE 2 WHEEL DRIVE-TRACTOR SP - GE	88
FRONT AXLE 4 WHEEL DRIVE	89
FRONT AXLE 4 WHEEL DRIVE	90
FRONT AXLE 4 WHEEL DRIVE-TRACTOR 354 SP	91
FRONT AXLE 4 WHEEL DRIVE-TRACTOR 354 FP	92
FRONT AXLE 4 WHEEL DRIVE-TRACTOR 354 GE	93
FRONT AXLE 4 WHEEL DRIVE-TRACTOR 354 SP	94
FRONT AXLE 4 WHEEL DRIVE-TRACTOR 354 FP	95
FRONT AXLE 4 WHEEL DRIVE-TRACTOR 354 GE	96
FRONT AXLE 4 WHEEL DRIVE-TYPE STANDARD	97
FRONT AXLE 4 WHEEL DRIVE-TYPE HYDROLOCK	98
FRONT AXLE 4 WHEEL DRIVE-PINION SET AND SIDE SHAFT	99
FRONT AXLE 4 WHEEL DRIVE-PINION SET AND SIDE SHAFT	100
FRONT AXLE 4 WHEEL DRIVE-HOUSINGS AND STEERING CYLINDER	101
FRONT AXLE 4 WHEEL DRIVE-FINAL REDUCER AND WHELL HUB	102
FRONT AXLE 4 WHEEL DRIVE-WITH DIFFERENTIAL STANDARD	103
FRONT AXLE 4 WHEEL DRIVE-WITH DIFFERENTIAL HYDROLOCK	104
STEERING HYDRAULIC LINES-TRACTOR 354 SP-354 FP	105
STEERING HYDRAULIC LINES-TRACTOR 354 SP - 354 FP - 354 GE	106
STEERING HYDRAULIC LINES-TRACTOR SP - FP - GE	107
STEERING ORBITROL UNIT-2 WHEEL DRIVE	108
STEERING ORBITROL UNIT-4 WHEELS DRIVE	109
STEERING-PUMP-TUROLLA	110
STEERING-PUMP-BOSCH	111
STEERING CYLINDER-TRACTOR SP - GE	112
STEERING CYLINDER-TRACTOR FP	113
STEERING CYLINDER	114
HYDRAULIC EQUIPMENT	115
HYDRAULIC EQUIPMENT	116
HYDRAULIC EQUIPMENT	117
HYDRAULIC PUMP-TUROLLA	118
HYDRAULIC PUMP-BOSCH	119
HYDRAULIC PUMP-BOSCH	120
HYDRAULIC PUMP-TUROLLA	121
HYDRAULIC PUMP-TUROLLA	122
HYDRAULIC PUMP-BOSCH	123
HYDRAULIC LIFT VALVE-WITH MECANICS RISER	124
HYDRAULIC LIFT	125
HYDRAULIC LIFT-TRACTOR SP - GE	126
HYDRAULIC LIFT-TRACTOR FP	127
HYDRAULIC LIFT-TRACTOR SP	128
HYDRAULIC LIFT-TRACTOR FP	129
ELECTRICAL WIRING-FOR ELECTRONIC LIFT	130
HYDRAULIC LIFT VALVE-FOR ELECTRONIC LIFT	131
ELECTRICAL WIRING-CONTROL PANEL ELECTRONIC LIFT	132
ELECTRICAL WIRING-CONTROL PANEL ELECTRONIC LIFT	133
MECHANICAL CONTROL LIFT-TRACTOR SP	134

TABLE OF CONTENT

MECHANICAL CONTROL LIFT-TRACTOR GE	135
MECHANICAL CONTROL LIFT-TRACTOR FP	136
MECHANICAL CONTROL LIFT-TRACTOR FP	137
MECHANICAL CONTROL LIFT-TRACTOR SP	138
MECHANICAL CONTROL LIFT-TRACTOR 354 SP/FP	139
MECHANICAL CONTROL LIFT-TRACTOR GE	140
HYDRAULIC LIFT CYLINDER-HYDRAULIC LIFT CYLINDER,WITH 1'AND 2'AUXIL.HYD	141
HYDRAULIC LIFT CYLINDER-HYDRAULIC LIFT CYLINDER,WITH 3AND 4 AUXIL.HYDR	142
AUXILIARY HYDRAULIC VALVE LINES-WITH 1.O DISTRIBUTOR	143
AUXILIARY HYDRAULIC VALVE LINES-WITH 2.O DISTRIBUTORES	144
AUXILIARY HYDRAULIC VALVE LINES-WITH 3.O DISTRIBUTORES	145
AUXILIARY HYDRAULIC VALVE LINES-TRACTOR FP WITH N.4 HYDRA. VALVE	146
CONTROLS ,AUXILIARY HYDRAULICS-WITH 1.O DISTRIBUTOR	147
CONTROLS ,AUXILIARY HYDRAULICS-WITH 2.O DISTRIBUTORES	148
CONTROLS ,AUXILIARY HYDRAULICS-WITH 3.O DISTRIBUTORES	149
CONTROLS ,AUXILIARY HYDRAULICS-TRACTOR FP	150
PLATE FOR AUXILIARY HYDRAULIC VALVE-HIDROIRMA TYPE.	151
AUXILIARY HYDRAULICS VALVE STANDARD-HYDROIRMA TYPE STANDARD	152
AUXILIARY HYDRAULICS VALVE STANDARD-HYDROIRMA TYPE STANDARD	153
AUXILIARY HYDRAULICS FLOATING-HYDROIRMA TYPE FLOATING	154
AUXILIARY HYDRAULICS FLOATING-HYDROIRMA TYPE FLOATING	155
AUXILIARY HYDRAULICS VAVE KICK-OUT-HYDROIRMA TYPE KICK-OUT	156
AUXILIARY HYDRAULICS VAVE KICK-OUT-HYDROIRMA TYPE KICK-OUT	157
AUXILIARY HYDRAULIC VALVE LINES-WITH 1.O DISTRIBUTOR	158
AUXILIARY HYDRAULIC VALVE LINES-WITH 2.O DISTRIBUTORES	159
AUXILIARY HYDRAULIC VALVE LINES-TRACTOR FP WITH N.3 HYDRA. VALVE	160
CONTROLS ,AUXILIARY HYDRAULICS-WITH 1.O DISTRIBUTOR	161
CONTROLS ,AUXILIARY HYDRAULICS-WITH 2.O DISTRIBUTORES	162
CONTROLS ,AUXILIARY HYDRAULICS-TRACTOR WITH N.3 HYDRA. VALVE	163
AUXILIARY HYDRAULICS VALVE-TILL TYPE STANDARD	164
AUXILIARY HYDRAULICS VALVE-TILL TYPE FLOATING	165
AUXILIARY HYDRAULIC VALVE LINES-WITH AUXILIARY HYDRAULIC VALVE CLEARANCE	166
AUXILIARY HYDRAULICS VALVE STANDARD-SALAMI TYPE STANDARD	167
AUXILIARY HYDRAULICS FLOATING-SALAMI TYPE FLOATING	168
AUXILIARY HYDRAULICS VAVE KICK-OUT-SALAMI TYPE KICK-OUT	169
AUXILIARY VALVE FOR HYDRAULIC ENGINE-SALAMI TYPE FOR HYDRAULIC ENGINE	170
ACCESSORIES HYDRAULIC-ADDITIONAL POWER OUTLET UNIT	171
LINKAGE-STANDARD VERSION	172
LINKAGE-STANDARD VERSION	173
LINKAGE-TRACTOR SP	174
LINKAGE-NOT INCLUDED GE TRACTOR	175
LINKAGE-TRACTOR GE	176
LINKAGE-NOT INCLUDED GE TRACTOR	177
LINKAGE-TRACTOR GE	178
LINKAGE	179
LINKAGE-MECANICS LIFT CYLINDER RIGTH	180
LINKAGE-TRACTOR FP	181
LINKAGE-TRACTOR FP	182
SHEET METAL-TRACTOR 354 SP - 354 FP - 354 GE	183
SHEET METAL-TRACTOR 354 SP - 354 FP - 354 GE	184
SHEET METAL	185
SHEET METAL	186
COOLING SYSTEM-SHIELD FAN	187
TOOL BOX	188
DECALS	189
DECALS	190
DECALS	191
FENDERS - FRONT-4 WHEELS DRIVE	192
FENDERS AND PLATFORM-TRACTOR SP	193
FENDERS AND PLATFORM-TRACTOR FP	194
FENDERS AND PLATFORM-TRACTOR GE	195
SEAT	196
SEAT-CHASSIS AND SUSPENSION	197
SAFETY FRAME-TRACTOR SP - FP - GE	198
ROTATING LIGHT	199
WEIGHT FRAME AND WEIGHTS W	200
HITCH CONNECTIONS-WITHOUT HITCH	201
REAR HOOK	202

MASSEY FERGUSON

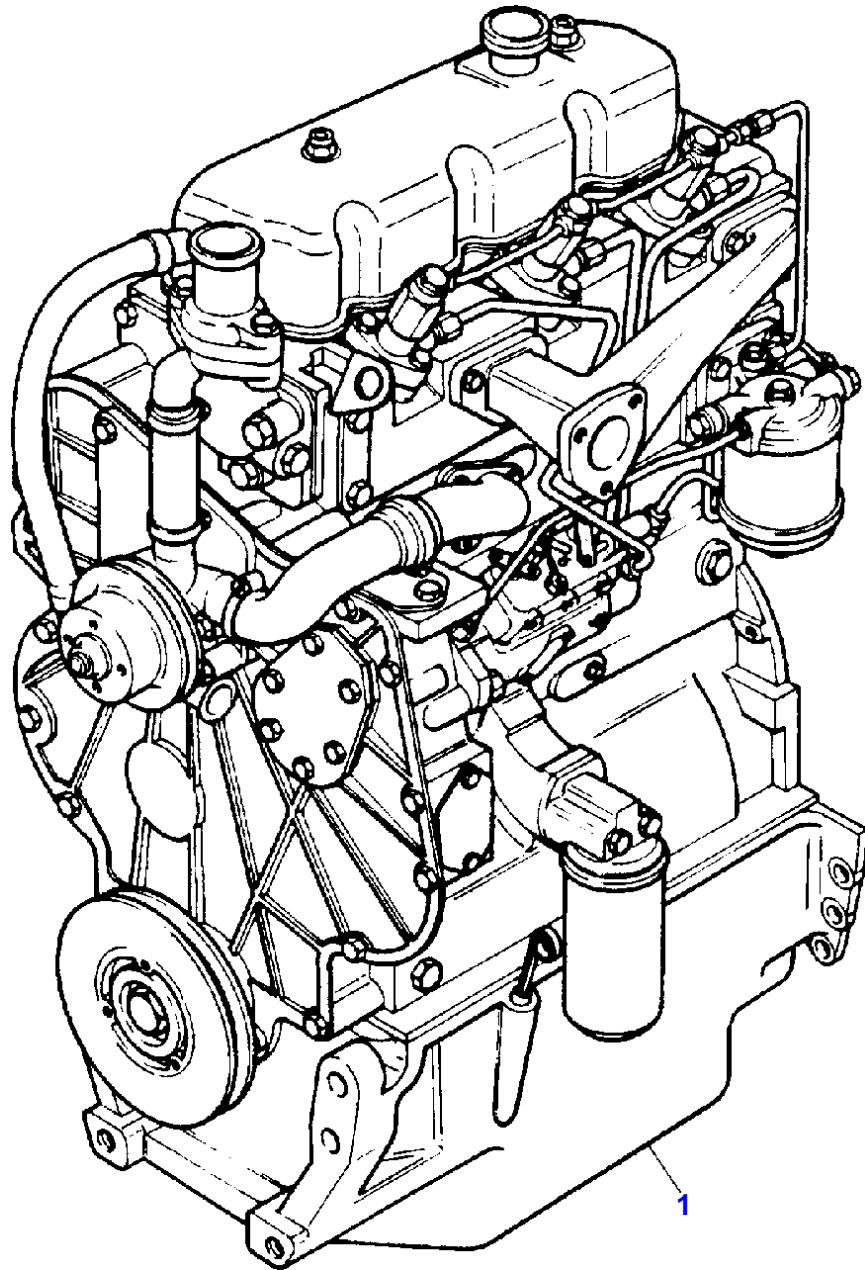
MF 354/3210 SP(X)-FP(X)-GE(X) FOOTSTEP TRACTOR - 3653990

3653990

TABLE OF CONTENT

00

DRAWBAR-HEAVY DUTY	203
REAR HOOK-STANDARD TYPE	204
REAR HOOK-TRACTOR FP	205
TOOL KIT	206
SEALERS AND LIQUID GASKETS ADHESIES	207



Thank you so much for reading.
Please click the “Buy Now!”
button below to download the
complete manual.



After you pay.

You can download the most
perfect and complete manual in
the world immediately.

Our support email:

ebooklibonline@outlook.com