

Page Title	Page Number
ENGINE ASSEMBLY-A4.236 ENGINE	1
SHORT ENGINE-A4.236 ENGINE	2
CYLINDER BLOCK-A4.236 ENGINE	3
CRANKSHAFT, PISTONS AND CONNECTING RODS-A4.236 ENGINE	4
CYLINDER HEAD-A4.236 ENGINE	5
ROCKER SHAFT-A4.236 ENGINE	6
TIMING GEAR AND CAMSHAFT-A4.236 ENGINE	7
BALANCER UNIT-A4.236 ENGINE	8
FUEL INJECTION EQUIPMENT-A4.236 ENGINE	9
LUBRICATING OIL SUMP-A4.236 ENGINE	10
LUBRICATING OIL FILTER AND INTEGRAL COOLER-A4.236 ENGINE	11
WATER PUMP, THERMOSTAT AND HEAT EXCHANGER-A4.236 ENGINE	12
FUEL SYSTEM AND FILTER-A4.236 ENGINE	13
AIR INDUCTION AND EXHAUST SYSTEM-A4.236 ENGINE	14
ALTERNATOR POSITIONER-A4.236 ENGINE	15
JOINTS AND GASKETS-A4.236 ENGINE	16
STAND OIL FILTER-WITH STD (BLU) ENGINE	17
HEATER KIT-COLD CLIMATE	18
ALTERNATOR	19
ALTERNATOR	20
ALTERNATOR POSITIONER	21
STARTER MOTOR-ISKRA TYPE	22
STARTER MOTOR-MARELLI TYPE	23
COOLING SYSTEM-FAN AND HOSES	24
COOLING SYSTEM-RADIATOR AND BRACKET	25
COOLING SYSTEM-RADIATOR AND BRACKET	26
FUEL SYSTEM	27
FUEL TANK-TRACTOR SP	28
FUEL TANK-TRACTOR FP	29
FUEL TANK-TRACTORT AP	30
FUEL TANK-TRACTOR GE	31
DRY AIR FILTER	32
EXHAUST SYSTEM-TRACTOR SP - FP - AP	33
EXHAUST SYSTEM-TRACTOR GE	34
HAND AND FOOT THROTTLE CONTROLS-TRACTOR FP - LP - GE	35
HAND AND FOOT THROTTLE CONTROLS-TRACTOR GTP	36
BATTERY	37
ELECTRICAL WIRING-FRONT	38
INSTRUMENT PANEL	39
INSTRUMENT PANEL-WITH MECANICS RISER	40
INSTRUMENT PANEL-WITH ELECTRONIC LIFT - NOT INCLUDED TRACTOR	41
ELECTRICAL WIRING-WITH STD (BLU) ENGINE	42
ELECTRICAL WIRING-REAR	43
ELECTRICAL WIRING-REAR - NOT INCLUDED TRACTOR GE	44
ELECTRICAL WIRING-EQUIPMENT FOR LIFT	45
LIGHTING EQUIPMENT	46
LIGHTING EQUIPMENT	47
CLUTCH-O.M.G. - 11	48
CLUTCH-LUK - 11	49
CLUTCH-O.M.G. - 12	50
CLUTCH-LUK - 12	51
CLUTCH PEDAL AND LINKAGE-TRACTOR SP - FP - GE - H	52
CLUTCH PEDAL AND LINKAGE-TRACTORT AP	53
LOWER CLUTCH P.T.O.	54
LOWER CLUTCH P.T.O.	55
FRONT CENTRE HOUSING-CLUTCH BOX	56
TRANSMISSION	57
TRANSMISSION	58
TRANSMISSION	59
TRANSMISSION-FOR NORMAL	60
GEAR BOX: CONTROLS	61
GEAR BOX: CONTROLS-FOR SHUTTLE VERSION ONLY.	62
GEAR BOX: CONTROLS-FOR SPECIAL OPTIONS VERSION ONLY	63
SHIFT LEVERS	64
REDUCER OPTION-FOR SHUTTLE VERSION ONLY: TRACTOR SP - FP - GE	65
REDUCER OPTION-FOR SHUTTLE VERSION ONLY : TRACTOR AP	66

TABLE OF CONTENT

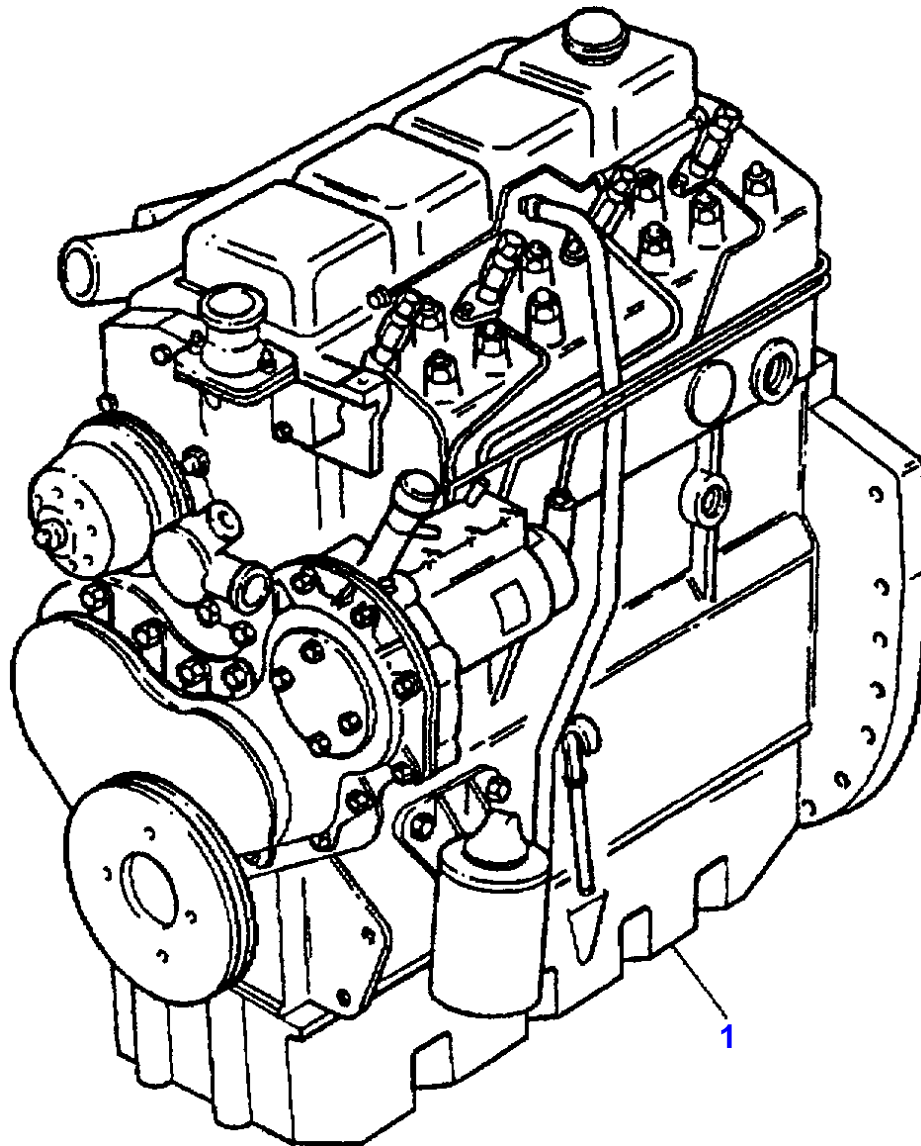
REDUCER OPTION-UNDERDRIVE AND SHUTTLE VERSION	67
REDUCER OPTION-UNDERDRIVE AND SHUTTLE VERSION	68
REDUCER OPTION-OVERDRIVE AND SHUTTLE VERSION	69
REDUCER OPTION-OVERDRIVE AND SHUTTLE VERSION	70
REDUCER OPTION-OVERDRIVE AND UNDERDRIVE VERSION	71
REDUCER OPTION-OVERDRIVE AND UNDERDRIVE VERSION	72
REDUCER OPTION-UNDERDRIVE E CREEPER VERSION	73
REDUCER OPTION-UNDERDRIVE E CREEPER VERSION	74
REDUCER OPTION-SHUTTLE AND CREEPER VERSION	75
REDUCER OPTION-SHUTTLE AND CREEPER VERSION	76
REDUCER OPTION-OVERDRIVE AND CREEPER VERSION	77
REDUCER OPTION-OVERDRIVE AND CREEPER VERSION	78
PTO SHAFT-	79
PTO SHAFT-540/750 R.P.M.	80
PTO-CONTROL	81
PTO-CONTROL-540/750 R.P.M.	82
TRANSFER GEAR BOX AND DRIVE SHAFT:	83
TRANSFER GEAR BOX AND DRIVE SHAFT:	84
REAR AXLE	85
REAR AXLE-TRACTOR SP	86
REAR AXLE-TRACTOR FP - AP	87
REAR AXLE-TRACTOR GE	88
DIFFERENTIAL LOCK CONTROLS	89
BRAKES	90
BRAKES-PIPINGS	91
BRAKES-PIPINGS	92
BRAKES-DEVICE CONTROL	93
BRAKES	94
MASTER CYLINDER-BRAKE PUMP	95
BRAKE CYLINDER	96
KIT TRAILER BRAKES-NOT INCLUDED GE TRACTOR	97
KIT TRAILER BRAKES-NOT INCLUDED GE TRACTOR	98
REAR WHEELS-TRACTOR SP	99
REAR WHEELS-TRACTOR FP - AP	100
REAR WHEELS-TRACTOR GE	101
FRONT WHEELS-TRACTOR SP - FP - AP	102
FRONT WHEELS-TRACTOR GE	103
FRONT AXLE 2 WHEEL DRIVE-TRACTOR FP - AP	104
FRONT AXLE 2 WHEEL DRIVE-TRACTOR SP - GE	105
FRONT AXLE 4 WHEEL DRIVE	106
FRONT AXLE 4 WHEEL DRIVE	107
FRONT AXLE 4 WHEEL DRIVE-TRACTOR 384 SP	108
FRONT AXLE 4 WHEEL DRIVE-TRACTOR 384 FP - 384 AP	109
FRONT AXLE 4 WHEEL DRIVE-TRACTOR 384 GE	110
FRONT AXLE 4 WHEEL DRIVE-TRACTOR 384 SP	111
FRONT AXLE 4 WHEEL DRIVE-TRACTOR 384 FP - 384 AP	112
FRONT AXLE 4 WHEEL DRIVE-TRACTOR 384 GE	113
FRONT AXLE 4 WHEEL DRIVE-TYPE STANDARD	114
FRONT AXLE 4 WHEEL DRIVE-TYPE HYDROLOCK	115
FRONT AXLE 4 WHEEL DRIVE-PINION SET AND SIDE SHAFT	116
FRONT AXLE 4 WHEEL DRIVE-PINION SET AND SIDE SHAFT	117
FRONT AXLE 4 WHEEL DRIVE-PINION SET AND SIDE SHAFT	118
FRONT AXLE 4 WHEEL DRIVE-HOUSINGS AND STEERING CYLINDER	119
FRONT AXLE 4 WHEEL DRIVE-FINAL REDUCER AND WHELL HUB	120
FRONT AXLE 4 WHEEL DRIVE-WITH DIFFERENTIAL STANDARD	121
FRONT AXLE 4 WHEEL DRIVE-WITH DIFFERENTIAL HYDROLOCK	122
STEERING HYDRAULIC LINES-TRACTOR 384 SP - 384 FP - 384 AP	123
STEERING HYDRAULIC LINES-TRACTOR 384SP-384FP-384AP-384GE	124
STEERING HYDRAULIC LINES-TRACTOR SP - FP - GE	125
STEERING HYDRAULIC LINES-TRACTORT AP	126
STEERING ORBITROL UNIT-2 WHEE DRIVE	127
STEERING ORBITROL UNIT-4 WHEELS DRIVE	128
STEERING-PUMP-TUROLLA	129
STEERING-PUMP-BOSCH	130
STEERING CYLINDER-TRACTOR SP - GE	131
STEERING CYLINDER-TRACTOR FP	132
STEERING CYLINDER	133
HYDRAULIC EQUIPMENT-TRACTOR SP - FP - GE - H	134

TABLE OF CONTENT

HYDRAULIC EQUIPMENT-TRACTORT AP	135
HYDRAULIC EQUIPMENT-TRACTOR SP - FP - GE - H	136
HYDRAULIC EQUIPMENT-TRACTORT AP	137
HYDRAULIC EQUIPMENT-TRACTOR SP - FP - GE - H	138
HYDRAULIC EQUIPMENT-TRACTORT AP	139
HYDRAULIC PUMP-TUROLLA	140
HYDRAULIC PUMP-BOSCH	141
HYDRAULIC PUMP-TUROLLA	142
HYDRAULIC PUMP-BOSCH	143
HYDRAULIC PUMP-BOSCH	144
HYDRAULIC PUMP-TUROLLA	145
HYDRAULIC LIFT VALVE-WITH MECANICS RISER	146
HYDRAULIC LIFT	147
HYDRAULIC LIFT-TRACTOR SP - GE	148
HYDRAULIC LIFT-TRACTOR FP - AP	149
HYDRAULIC LIFT-TRACTOR SP	150
HYDRAULIC LIFT-TRACTOR FP - AP	151
ELECTRICAL WIRING-FOR ELECTRONIC LIFT	152
HYDRAULIC LIFT VALVE-FOR ELECTRONIC LIFT	153
ELECTRICAL WIRING-CONTROL PANEL ELECTRONIC LIFT	154
ELECTRICAL WIRING-CONTROL PANEL ELECTRONIC LIFT	155
MECHANICAL CONTROL LIFT-TRACTOR SP	156
MECHANICAL CONTROL LIFT-TRACTOR GE	157
MECHANICAL CONTROL LIFT-TRACTOR FP - AP	158
MECHANICAL CONTROL LIFT-TRACTOR FP - AP	159
MECHANICAL CONTROL LIFT-TRACTOR SP	160
MECHANICAL CONTROL LIFT-TRACTOR SP - FP - AP	161
MECHANICAL CONTROL LIFT-TRACTOR GE	162
HYDRAULIC LIFT CYLINDER-HYDRAULIC LIFT CYLINDER,WITH 1'AND 2'AUXIL.HYD	163
HYDRAULIC LIFT CYLINDER-HYDRAULIC LIFT CYLINDER,WITH 3AND 4 AUXIL.HYDR	164
AUXILIARY HYDRAULIC VALVE LINES-WITH 1.0 DISTRIBUTOR	165
AUXILIARY HYDRAULIC VALVE LINES-WITH 2.0 DISTRIBUTORES	166
AUXILIARY HYDRAULIC VALVE LINES-WITH 3.0 DISTRIBUTORES	167
AUXILIARY HYDRAULIC VALVE LINES-TRACTOR FP-AP-H ,WITH N.4 HYDRA. VALVE	168
CONTROLS ,AUXILIARY HYDRAULICS-WITH 1.0 DISTRIBUTOR	169
CONTROLS ,AUXILIARY HYDRAULICS-WITH 2.0 DISTRIBUTORES	170
CONTROLS ,AUXILIARY HYDRAULICS-WITH 3.0 DISTRIBUTORES	171
CONTROLS ,AUXILIARY HYDRAULICS-TRACTOR FP - AP - H	172
PLATE FOR AUXILIARY HYDRAULIC VALVE-HIDROIRMA TYPE.	173
AUXILIARY HYDRAULICS VALVE STANDARD-HYDROIRMA TYPE STANDARD	174
AUXILIARY HYDRAULICS VALVE STANDARD-HYDROIRMA TYPE STANDARD	175
AUXILIARY HYDRAULICS FLOATING-HYDROIRMA TYPE FLOATING	176
AUXILIARY HYDRAULICS FLOATING-HYDROIRMA TYPE FLOATING	177
AUXILIARY HYDRAULICS VAVE KICK-OUT-HYDROIRMA TYPE KICK-OUT	178
AUXILIARY HYDRAULICS VAVE KICK-OUT-HYDROIRMA TYPE KICK-OUT	179
AUXILIARY HYDRAULIC VALVE LINES-WITH 1.0 DISTRIBUTOR	180
AUXILIARY HYDRAULIC VALVE LINES-WITH 2.0 DISTRIBUTORES	181
AUXILIARY HYDRAULIC VALVE LINES-TRACTOR FP-AP-H ,WITH N.3 HYDRA. VALVE	182
CONTROLS ,AUXILIARY HYDRAULICS-WITH 1.0 DISTRIBUTOR	183
CONTROLS ,AUXILIARY HYDRAULICS-WITH 2.0 DISTRIBUTORES	184
CONTROLS ,AUXILIARY HYDRAULICS-TRACTOR WITH N.3 HYDRA. VALVE	185
AUXILIARY HYDRAULICS VALVE-TILL TYPE STANDARD	186
AUXILIARY HYDRAULICS VALVE-TILL TYPE FLOATING	187
AUXILIARY HYDRAULIC VALVE LINES-WITH AUXILIARY HYDRAULIC VALVE CLEARANCE	188
AUXILIARY HYDRAULICS VALVE STANDARD-SALAMI TYPE STANDARD	189
AUXILIARY HYDRAULICS FLOATING-SALAMI TYPE FLOATING	190
AUXILIARY HYDRAULICS VAVE KICK-OUT-SALAMI TYPE KICK-OUT	191
AUXILIARY VALVE FOR HYDRAULIC ENGINE-SALAMI TYPE FOR HYDRAULIC ENGINE	192
ACCESSORIES HYDRAULIC-ADDITIONAL POWER OUTLET UNIT	193
LINKAGE-STANDARD VERSION	194
LINKAGE-STANDARD VERSION	195
LINKAGE-TRACTOR SP	196
LINKAGE-NOT INCLUDED GE TRACTOR	197
LINKAGE-TRACTOR GE	198
LINKAGE-NOT INCLUDED GE TRACTOR	199
LINKAGE-TRACTOR GE	200
LINKAGE	201
LINKAGE-MECANICS LIFT CYLINDER RIGTH	202

TABLE OF CONTENT

LINKAGE-TRACTOR FP - AP	203
LINKAGE-TRACTOR FP - AP	204
SHEET METAL-TRACTOR 384 SP - FP - AP - GE	205
SHEET METAL-TRACTORT AP	206
SHEET METAL-TRACTOR SP - FP - AP - GE	207
SHEET METAL-TRACTORT AP	208
SHEET METAL	209
SHEET METAL	210
COOLING SYSTEM-SHIELD FAN	211
TOOL BOX	212
DECALS	213
DECALS	214
DECALS	215
FENDERS - FRONT-4 WHEELS DRIVE	216
FENDERS AND PLATFORM-TRACTOR SP	217
FENDERS AND PLATFORM-TRACTOR FP - AP	218
FENDERS AND PLATFORM-TRACTOR GE	219
SEAT	220
SEAT-CHASSIS AND SUSPENSION	221
SAFETY FRAME-TRACTOR SP - FP - GE	222
SAFETY FRAME-TRACTORT AP	223
ROTATING LIGHT	224
WEIGHT FRAME AND WEIGHTS W	225
HITCH CONNECTIONS-WITHOUT HITCH	226
REAR HOOK	227
DRAWBAR-HEAVY DUTY	228
REAR HOOK-STANDARD TYPE	229
REAR HOOK-TRACTOR FP - AP - H	230
REAR HOOK-TRACTOR FP - AP - H	231
TOOL KIT	232
SEALERS AND LIQUID GASKETS ADHESIES	233



Thank you so much for reading.
Please click the “Buy Now!”
button below to download the
complete manual.



After you pay.

You can download the most
perfect and complete manual in
the world immediately.

Our support email:

ebooklibonline@outlook.com