

Engine

F/XL Tier 2 (2003-2008) - RP51 - F80 F/GE

Rex F Foot Step00005170.png

A-05
01



A0501

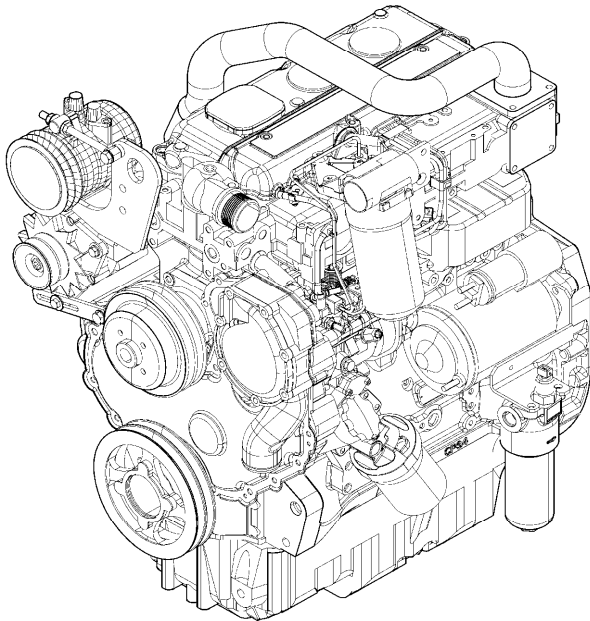
Engine assembly

Inglese

- 1 3670564M91 ● 3670564M93(1) 1 Engine
- T-A 10:50
- T-B 30:50

- Replacement
- T-A Replacement
- T-B Overhaul

1



Engine

F/XL Tier 2 (2003-2008) - RP51 - F80 F/GE

Rex F Foot Step\00002415.png

**A-05
011**



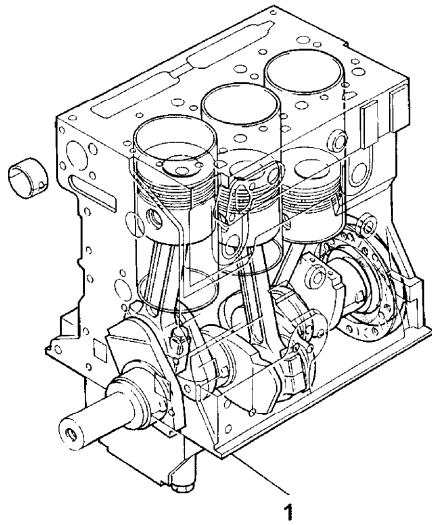
A05011

Short engine

4-ACHL-032-A

1 DD39165 T-A 25:0
T-A Replacement

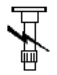
Inglese
1 Engine



Engine

F/XL Tier 2 (2003-2008) - RP51 - F80 F/GE

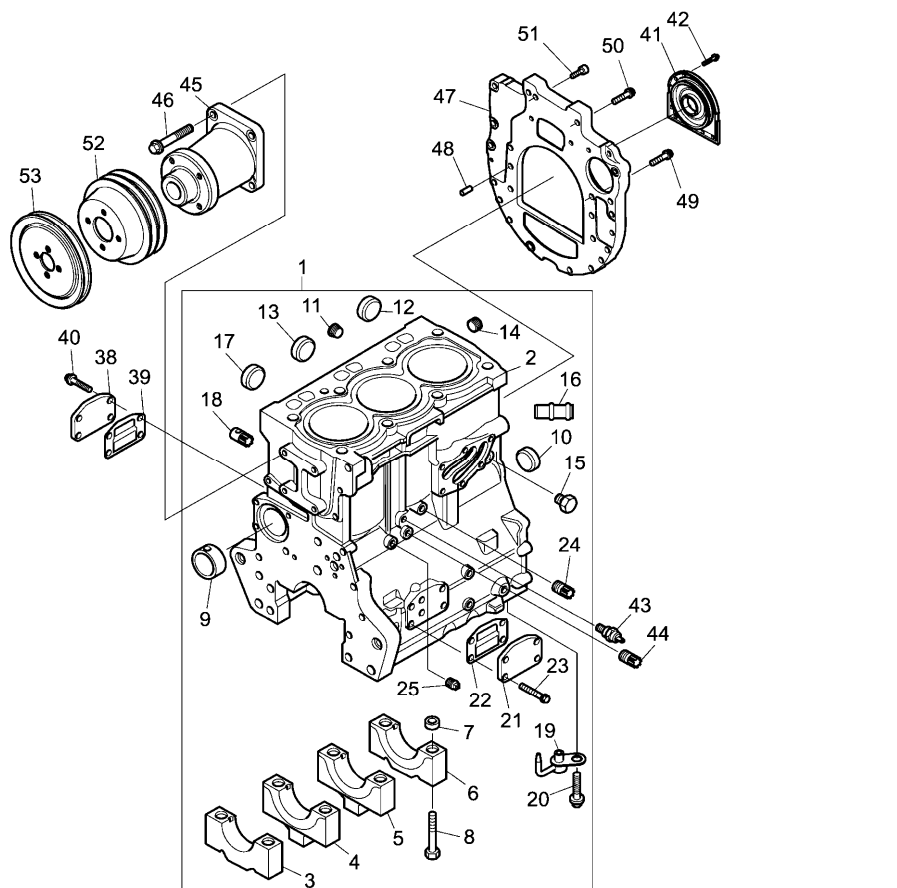
**A-05
02**



A0502

Cylinder block

Rex F Foot Step\00010943.png



				Inglese
1	4181V016	T-A	30:50	1 Cylinder
2		!	1	1 Cylinder
3		➡	4181v016	1 Bearing
4		!	1	1 Bearing
5		➡	4181v016	1 Bearing
6		!	1	1 Bearing
7	33142111	!	1	8 Manicott
8	32166329	!	1	8 Screw
9	3112D071	!	1	1 Bush
		●	3112D075(1)	
10	3241A012	!	1	1 Plug
11	0650588	!	1	1 Plug
12	0650710	!	1	1 Plug
13	3241A011	!	1	2 Plug
14	3212P008	!	1	1 Plug
15	32141316	!	1	1 Plug
16	3313A022	!	1	1 Pipe
17	2485A108	!	1	1 Plug
18	3212V006	!	1	1 Plug

Engine

F/XL Tier 2 (2003-2008) - RP51 - F80 F/GE

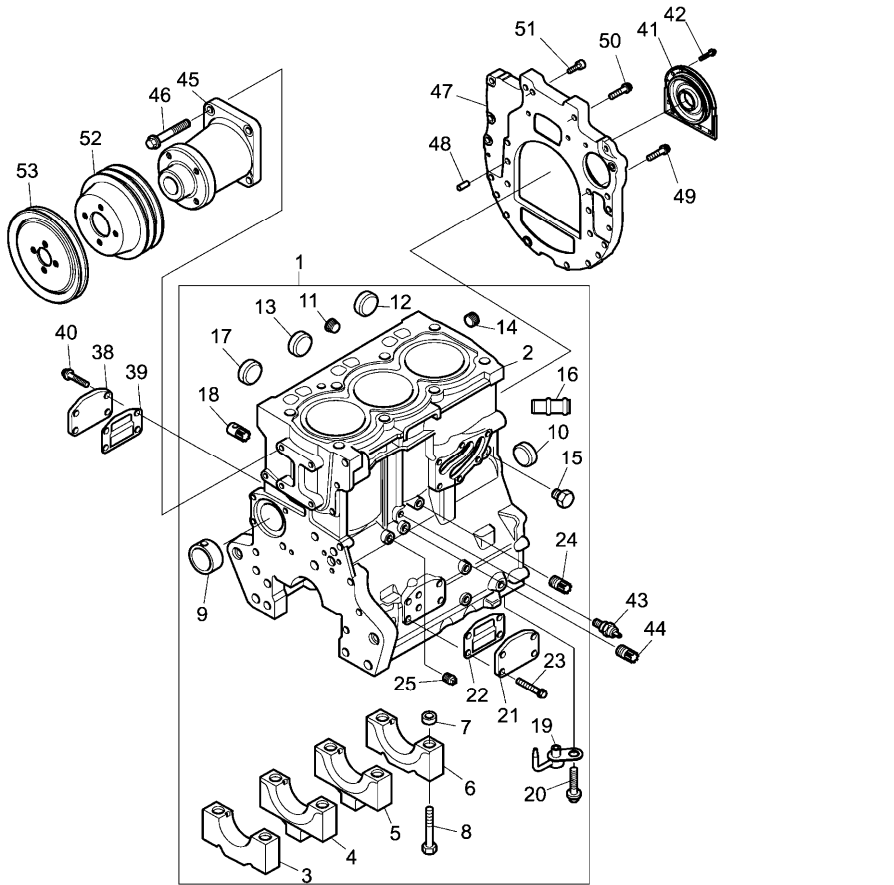
A-05
02



A0502

Cylinder block

Rex F Foot Step\00010943.png



		Inglese		
19	2113A001	!	1	3 Atomiser
		●	2113A003(3)	
20	2314F001	!	1	3 Screw
21	3623A009	!	1	2 Plate
		T-A	0:50	
22	3688A039	!	1	2 Gasket
		T-A	0:50	
23	2314H033	!	1	8 Screw
24	3212V005	!	1	1 Plug
25	0650594	!	1	1 Plug
27	3681E045	!	26	1 Gasket
		●	3681E049(1)	
		A		
28	3681A057	!	26	1 Coperch.
		A		
29	2415H008	!	26	1 Ring
		●	2415H219(1)	
		A		
30	3681V513	!	26	1 Gasket
		A		
31	3684N503	!	26	3 Gasket
		●	3693794M1(1)	
		A		
32	2418M514	!	26	6 Ring
		●	N.L.S.(6)	
		A		

Engine

F/XL Tier 2 (2003-2008) - RP51 - F80 F/GE

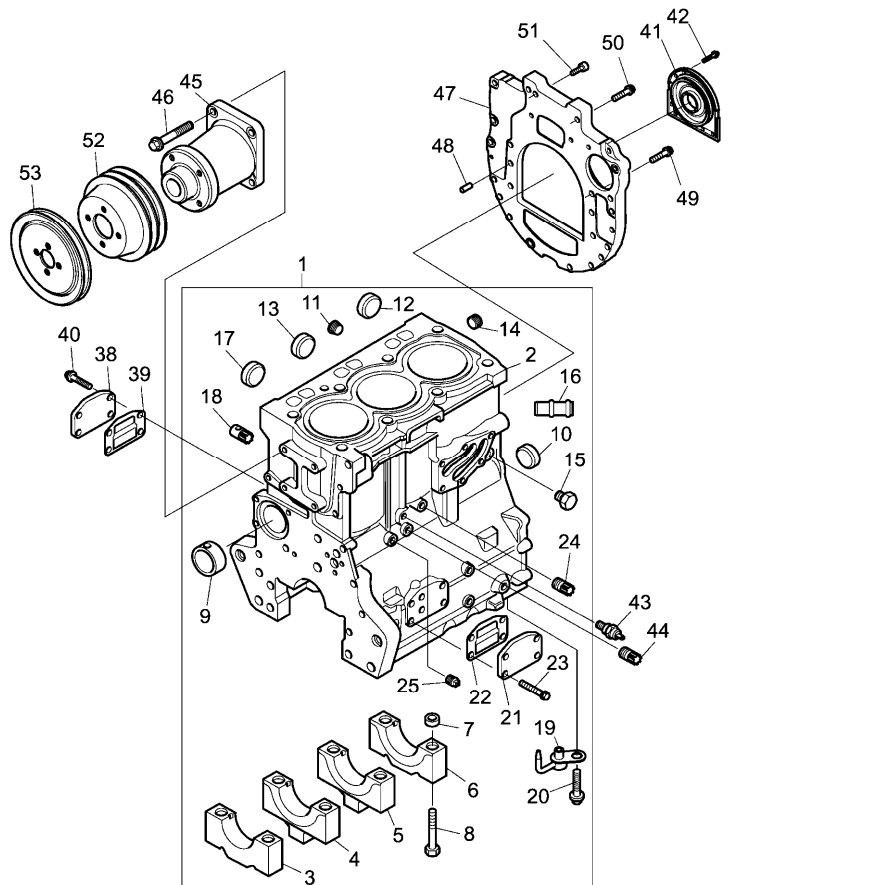
A-05
02



A0502

Cylinder block

Rex F Foot Step\00010943.png



		Inglese			
33	L311FF02	!	26	3	Washer
		A			
34	3688A029	!	26	1	Universal joint
		A			
35	3688A035	!	26	1	Ring
		●	3688A053(1)		
		A			
36	3688A036	!	26	1	Ring
		●	3688A054(1)		
		A			
37	3688A037	!	26	1	Ring
		A			
38	3623A009	T-A	0:50	1	Plate
39	3688A039	T-A	0:50	1	Gasket
40	2314H033			4	Screw
41	2418F704	T-A	11:0	1	Housing
42	3211C002			10	Screw
43	2848062	●	4172E054(1)	1	Switch
		T-A	0:25		
44	3212V005			1	Plug
45	4113K005	T-A	2:0	1	Housing
46	2314J005			4	Screw
47	3714A062	T-A	6:0	1	Plate
48	0350025	●	3245A011(2)	2	Dowel
49	2314J203			6	Screw

Engine

F/XL Tier 2 (2003-2008) - RP51 - F80 F/GE

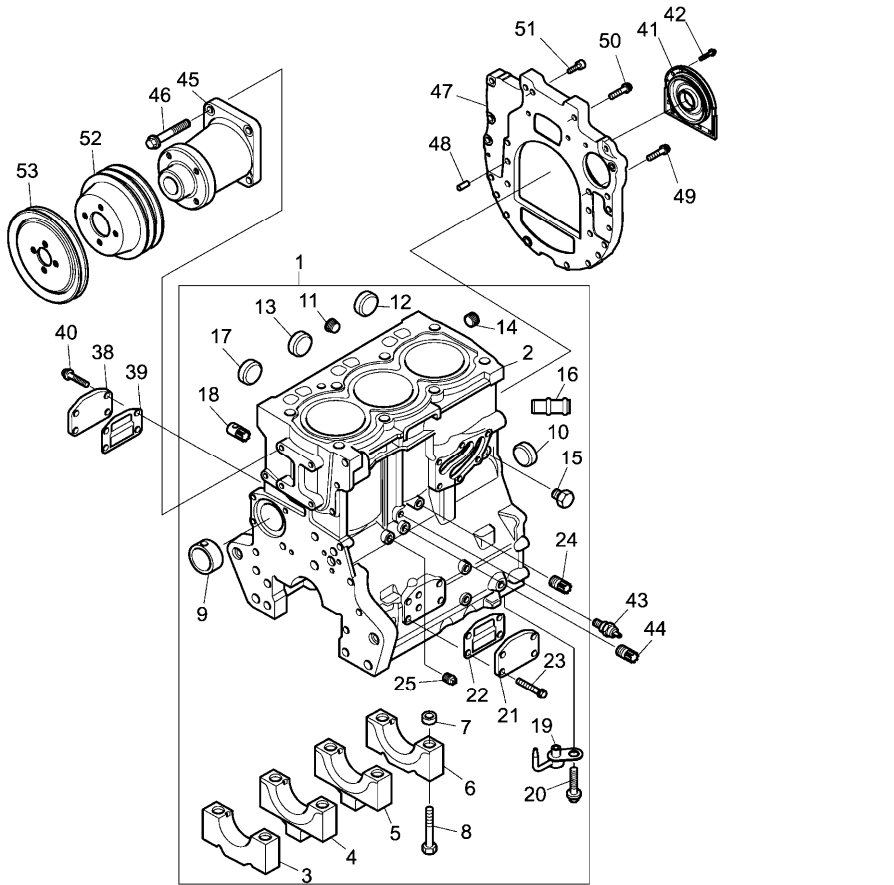
A-05
02



A0502

Cylinder block

Rex F Foot Step\00010943.png



		Inglese
50	2314J607	1 Screw
51	2311D105	1 Screw
52	3115C113	T-A 2:0 1 Pulley
53	3114X191	T-A 2:0 1 Pulley
55	2415715	! 54 1 Ring
	A	
55	3681K038	! 54 1 Gasket
	A	
56	36832137	! 54 1 Gasket
	A	
57	3617V015	! 54 1 Gasket
	● 3681P053(1)	
	A	
58	3617V016	! 54 1 Gasket
	● 3681P053(1)	
	A	
59	3681P046	! 54 1 Gasket
	A	
60	26420318	! 54 1 Ring
	A	
61	3688A039	! 54 2 Gasket
	A	
62	3688A041	! 54 1 Ring
	A	
63	3682A011	! 54 1 Gasket
	A	

Engine

F/XL Tier 2 (2003-2008) - RP51 - F80 F/GE

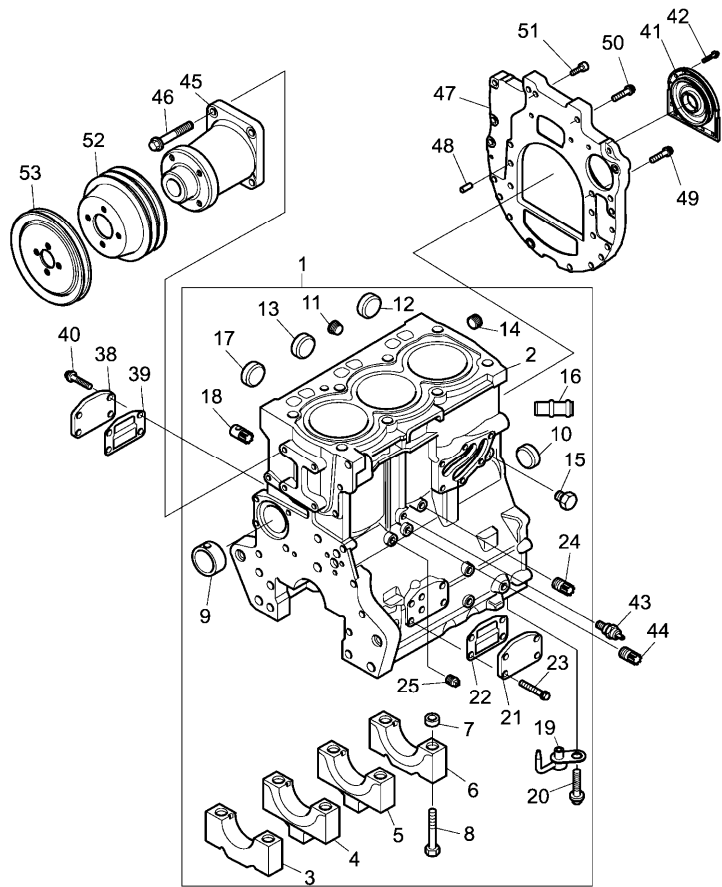
A-05
02



A0502

Cylinder block

Rex F Foot Step\00010943.png



Inglese

64	3688A035	!	54	1	Ring
		●	3688A053(1)		
		A			
65	3688A036	!	54	1	Ring
		●	3688A054(1)		
		A			

- ! This is a component of an assembly
- ▣ Not serviced, order
- Replacement
- T-A Replacement
- A Not illustrated

Engine

F/XL Tier 2 (2003-2008) - RP51 - F80 F/GE

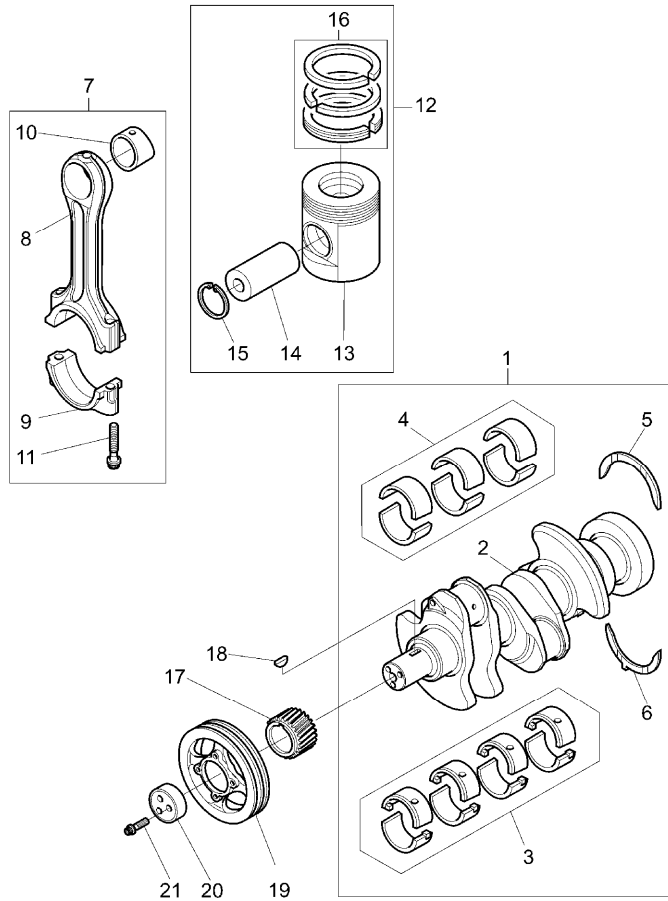
Rex F Foot Step00010944.png

A-05
03



A0503

Crankshaft, pistons and connecting rods



				Inglese
1	4181V017	T-A	18:50	1 Shaft
2		!	1	1 Crankshaft
		➡	4181v017	
3	U5MB0019	!	1	1 Kit
		●	U5MB0037(1)	
		T-A	18:50	
4	U5ME0018	!	1	1 Kit
		●	U5ME0033(1)	
		T-A	18:50	
5	31137312	✂	(+).007"	2 Ring
		T-A	18:50	
5	31137551	!	1	2 Washer
		T-A	18:50	
6	31137322	✂	(+).007"	2 Ring
		T-A	18:50	
6	31137561	!	1	2 Washer
		T-A	18:50	
7	4115C311	➡	U491477 t	3 Kit
		F		
		T-A	17:0	
7	4115C312	➡	U491477 t	3 Kit
		E		
		T-A	17:0	
7	4115C313	➡	U491477 t	3 Kit
		D		
		T-A	17:0	

Engine

F/XL Tier 2 (2003-2008) - RP51 - F80 F/GE

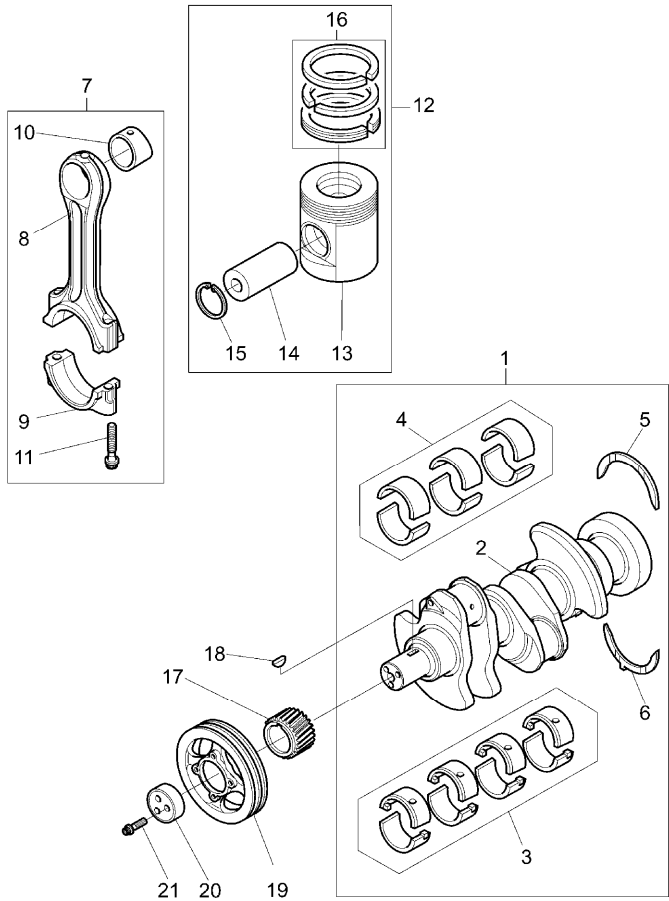
Rex F Foot Step00010944.png

A-05
03



A0503

Crankshaft, pistons and connecting rods



		Inglese	
7	4115C314	➡ U491477 t	3 Kit
		C	
		T-A 17:0	
7	4115C315	➡ U491477 t	3 Kit
		B	
		T-A 17:0	
7	4115C316	➡ U491477 t	3 Kit
		A	
		T-A 17:0	
7	4115C361	➡ U491478 t	3 Conrod
		F	
7	4115C362	➡ U491478 t	3 Conrod
		E	
7	4115C363	➡ U491478 t	3 Conrod
		D	
7	4115C364	➡ U491478 t	3 Conrod
		C	
7	4115C365	➡ U491478 t	3 Conrod
		B	
7	4115C366	➡ U491478 t	3 Conrod
		A	
8	!	7	1 Conrod
		➡ 7	
9	!	7	1 Guard
		➡ 7	

Engine

F/XL Tier 2 (2003-2008) - RP51 - F80 F/GE

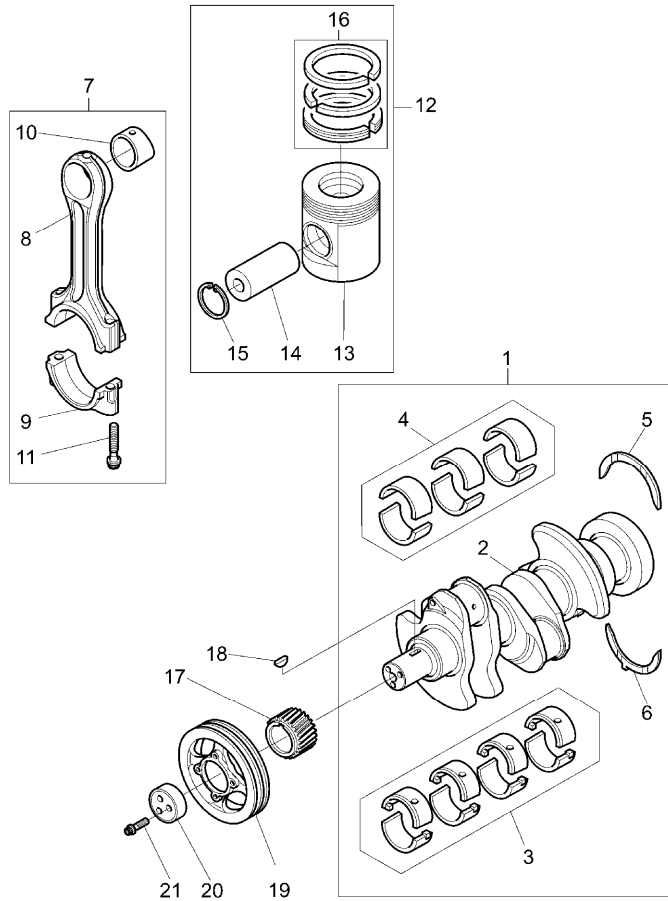
A-05
03



A0503

Crankshaft, pistons and connecting rods

Rex F Foot Step\00010944.png



Inglese

10	3112A005	!	7	1	Bush
		T-A	17:0		
11	3212V003	!	7	2	Screw
12	4115P015	T-A	17:0	3	Kit
13		!	12	1	Piston
		➡	4115p015		
14		!	12	1	Pin
		➡	4115p015		
15	2721332	!	12	2	Ring
16	UPRK0002	!	12	1	Kit
		(X)	0.1.3.		
		T-A	17:0		
17	3117C221	T-A	13:0	1	Gear
18	0500012	T-A	13:0	1	Key
19	3115T051	T-A	2:0	1	Pulley
20	3241N001	T-A	2:0	1	Block
21	32186137			3	Screw

! This is a component of an assembly

➡ From serial or engine number

➡ Up to serial or engine number

➡ Not serviced, order

⚡ Shim

● Replacement

(X) Qty per tractors sold (aa.bbb.ccc.ddd) (aa) for 1,(bbb) 2-10 (ccc) 11-25 (ddd) 26-50

T-A Replacement

A Blue

B Purple

Engine

A-05
03

Crankshaft, pistons and connecting rods

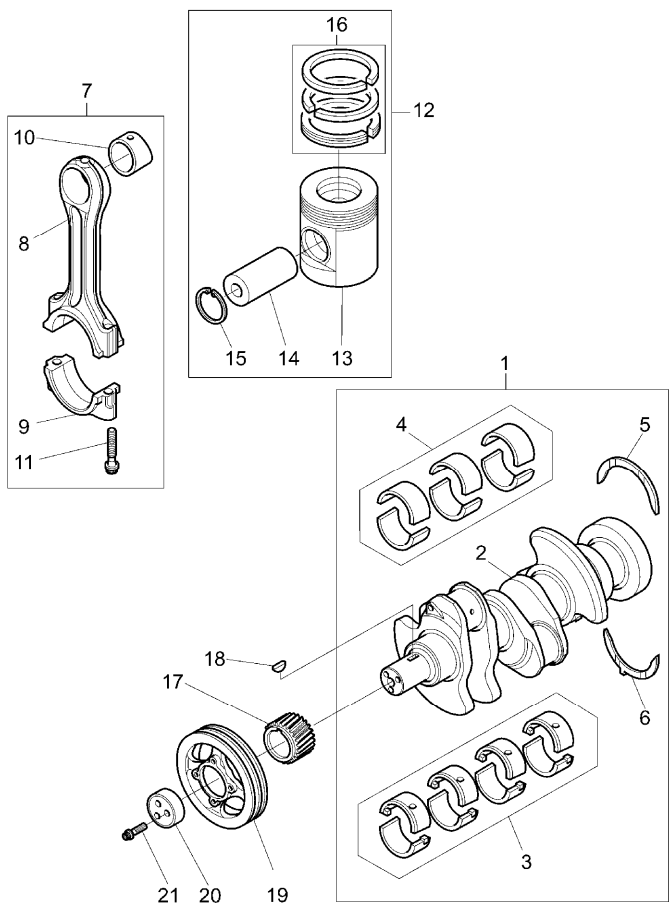
F/XL Tier 2 (2003-2008) - RP51 - F80 F/GE



A0503

Rex F Foot Step00010944.png

- C Green
- D White
- E Orange
- F Red



Engine

F/XL Tier 2 (2003-2008) - RP51 - F80 F/GE

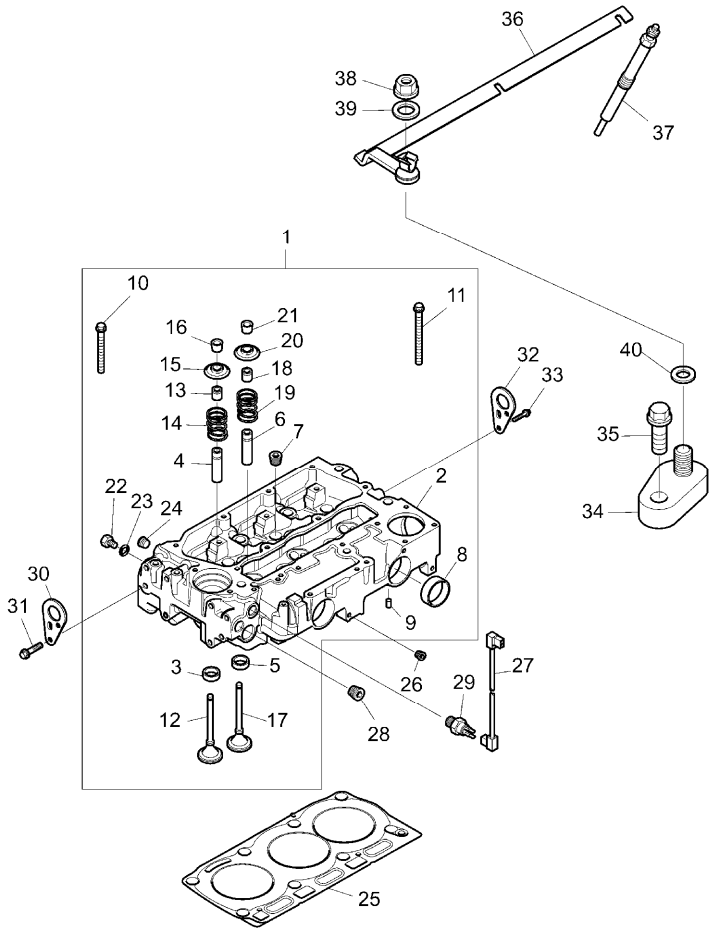
Rex F Foot Step\00010946.png

A-05
04



A0504

Cylinder head



		Inglese	
1	4181V015	● 4181V041(1) T-A 4:0 T-B 7:0	1 Head
2		! 1 ➡ 4181v015	1 Head
3	3314A151	! 1 ● 3314A241(3) T-A 7:50	3 Insert
4	3313E021	! 1 ● 3313A012(3) T-A 7:50	3 Guide
5	3314A161	! 1 ● 3314A231(3) T-A 7:50	3 Insert
6	3313E021	! 1 ● 3313A012(3) T-A 7:50	3 Guide
7	0650588	! 1 T-A 0:50	3 Plug
8	32416117	! 1 T-A 1:0	3 Plug
9	3244A009	! 1	2 Dowel
10	3218A011	! 1	5 Screw
11	3218A012	! 1	3 Screw
12	3142H071	! 1 T-A 7:50	3 Valve

Engine

F/XL Tier 2 (2003-2008) - RP51 - F80 F/GE

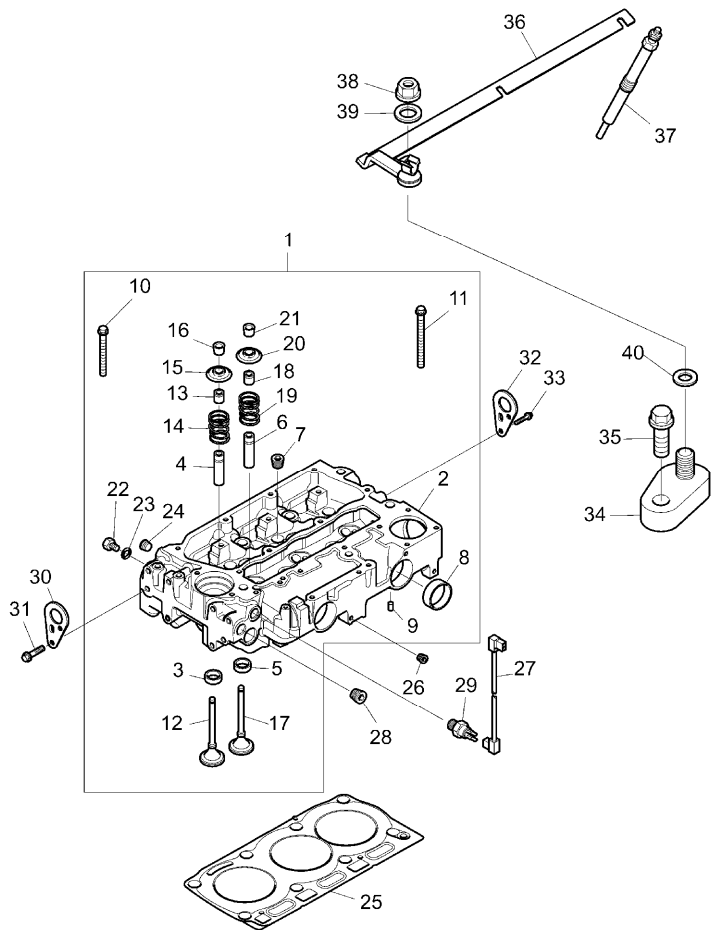
A-05
04



A0504

Cylinder head

Rex F Foot Step00010946.png



- 27 3161C017 T-A 0:25
- 28 2431154
- 29 2848A127 T-A 0:25
- 30 3617A015
- 31 2314J002
- 32 3617A015
- 33 2314J002
- 34 3881A006
- 35 2314F004
- 36 3812A031
- 37 2666A016 T-A 0:75
- 38 2318A602
- 39 2134A609
- 40 0920002

Inglese

- 1 Cable
- 1 Plug
- 1 Sensor
- 1 Stirrup
- 2 Screw
- 1 Stirrup
- 2 Screw
- 1 Insulator
- 1 Screw
- 1 Bar
- 3 Spark plug
- 1 Nut
- 1 Washer
- 1 Washer

- ! This is a component of an assembly
- Not serviced, order
- Replacement
- T-A Replacement
- T-B Overhaul

Buy Now



Our support email:

ebooklibonline@outlook.com