

Engine

F/XL Tier 2 (2003-2008) - RP51 - F85 F/XL/GE

Rex F Foot Step\00010996.png

A-05
01



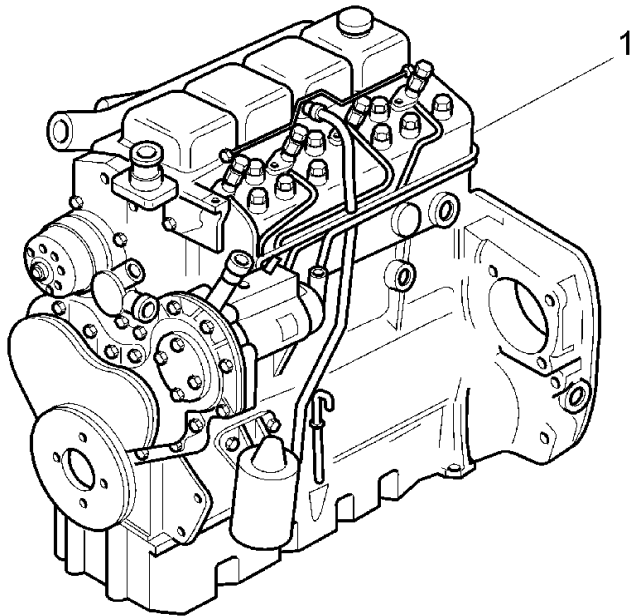
A0501

Engine assembly - "1104c-44" green engine

Inglese

- | | | | | | |
|---|------------|-----|---------------|---|--------|
| 1 | 3668835M91 | ● | 3668835M93(1) | 1 | Engine |
| | | T-A | 10:50 | | |
| | | T-B | 30:50 | | |

- Replacement
- T-A Replacement
- T-B Overhaul



Engine

F/XL Tier 2 (2003-2008) - RP51 - F85 F/XL/GE

Rex F Foot Step\00002787.png

**A-05
011**

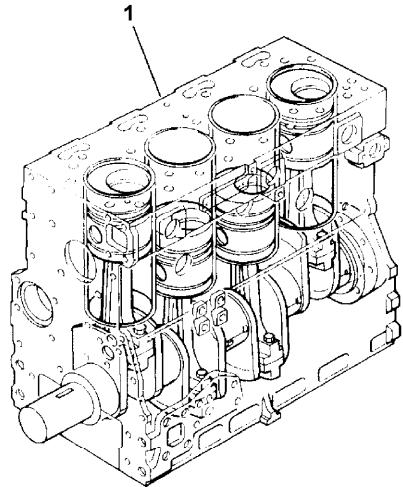


A05011

Short engine

- | | | | | | |
|---|---------|-----|----------------------------------|---|--------------|
| 1 | RE40002 | ➡ | U491476 t | 1 | Engine |
| | | ● | 3115A141(1),
32186146(3), RE4 | | |
| | | T-A | 30:50 | | |
| 1 | RE40021 | ➡ | U491477 t | 1 | Short engine |
- ➡ From serial or engine number
 ➡ Up to serial or engine number
 ● Replacement
 T-A Replacement

Inglese



Engine

F/XL Tier 2 (2003-2008) - RP51 - F85 F/XL/GE

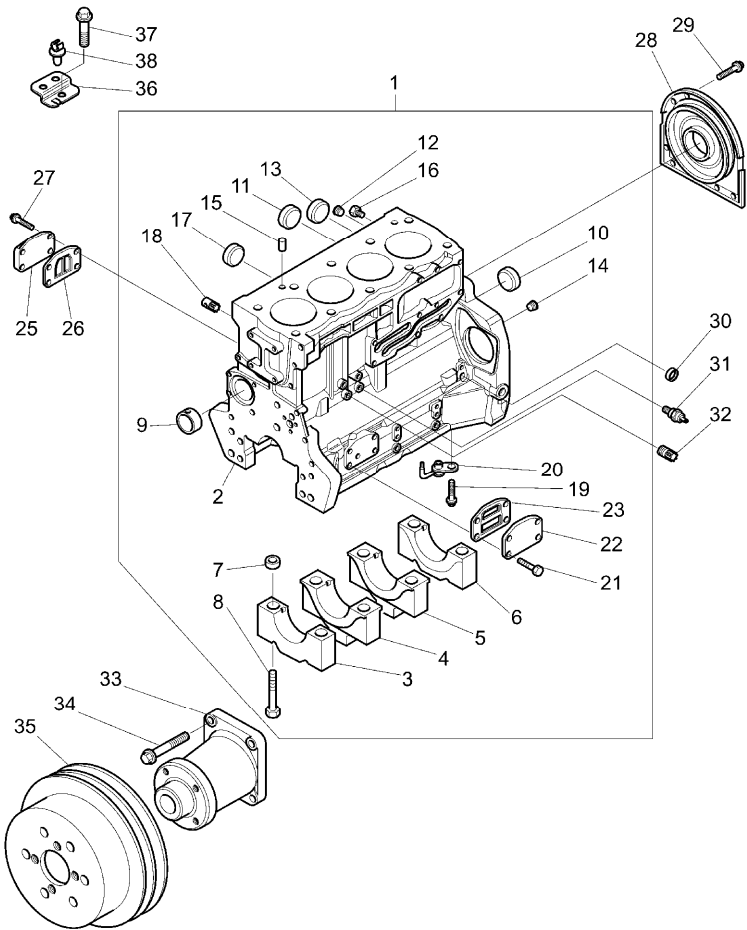
A-05
02



A0502

Cylinder block

Rex F Foot Step00010995.png



		Inglese
1	ZZ50312	1 Kit
	● ZZ50325(1)	
	T-A 30:50	
2	! 1	1 Cylinder
	➤ Zz50312	
3	! 1	1 Bearing
	➤ Zz50312	
4	! 1	1 Bearing
	➤ Zz50312	
5	! 1	1 Bearing
	➤ Zz50312	
6	! 1	1 Bearing
	➤ Zz50312	
7	33142111	8 Manicott
8	32166329	8 Screw
9	3112D071	1 Bush
	● 3112D075(1)	
10	3241A012	1 Plug
11	3241A011	2 Plug
12	0650588	1 Plug
13	0650710	1 Plug
14	3212P008	1 Plug
15	3244A009	2 Dowel
16	32141316	2 Plug
17	2485A108	1 Plug
18	3212V006	1 Plug

Engine

F/XL Tier 2 (2003-2008) - RP51 - F85 F/XL/GE

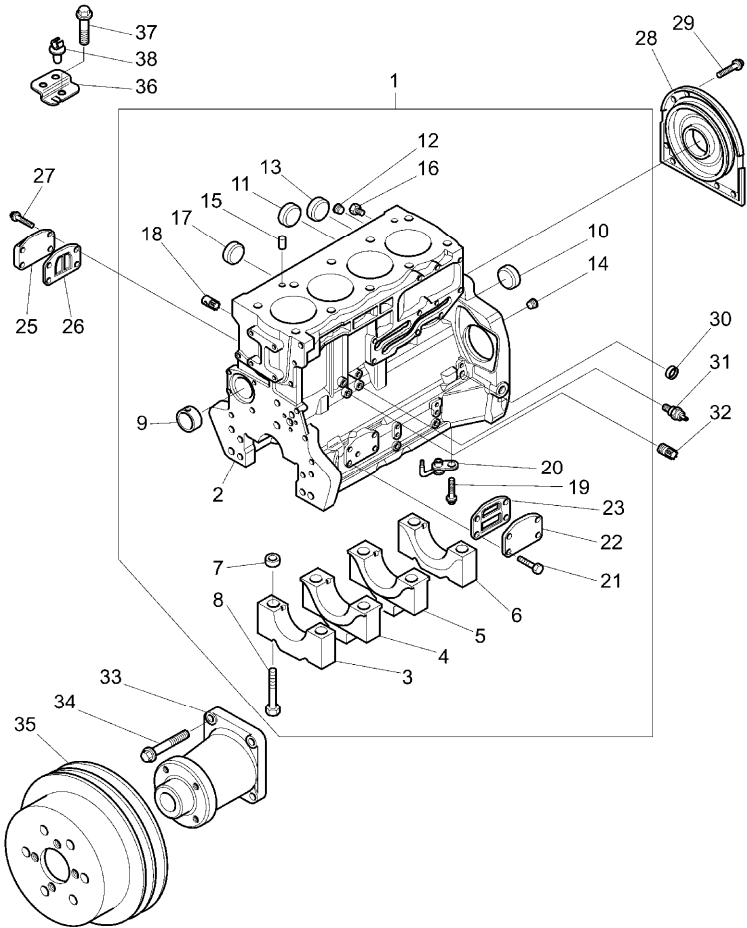
Rex F Foot Step00010995.png

A-05
02



A0502

Cylinder block



		Inglese		
19	2314F001	!	1	4 Screw
20	2113A001	!	1	4 Atomiser
		●	2113A003(4)	
21	2314H033	!	1	4 Screw
22	3623A009	!	1	1 Plate
		T-A	0:50	
23	3688A039	!	1	1 Gasket
		T-A	0:50	
25	3753A081	T-A	0:50	1 Coperch.
26	3688A041	T-A	0:50	1 Ring
27	2314H034			4 Screw
28	2418F704	T-A	11:0	1 Housing
29	3211C002			10 Screw
30	2485A109			1 Plug
31	2848062	●	4172E054(1)	1 Switch
		T-A	0:25	
32	3212V005			1 Plug
33	4113K005	T-A	2:0	1 Housing
34	2314J005			4 Screw
35	3115C111	T-A	2:0	1 Pulley
36	3651A016	T-A	2:0	1 Support
37	2314H002			1 Screw
38	2481D556	●	2481D558(1)	1 Clip
40	3681K036	!	39	1 Gasket

A

Engine

F/XL Tier 2 (2003-2008) - RP51 - F85 F/XL/GE

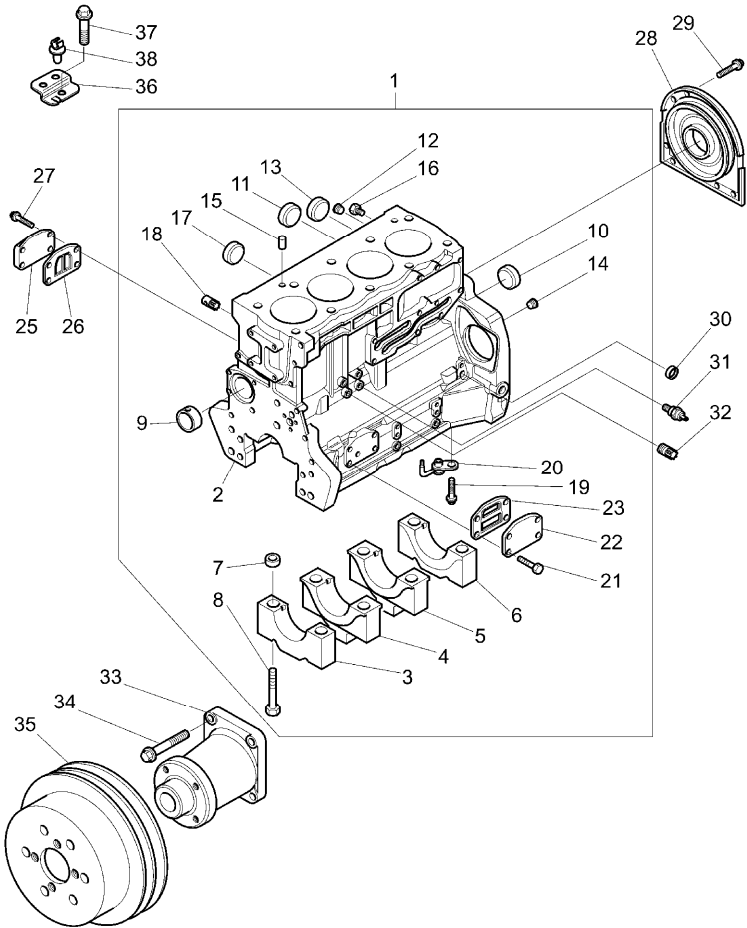
A-05
02



A0502

Cylinder block

Rex F Foot Step00010995.png



				Inglese
41	2415715	!	39	1 Ring
		A		
42	36832137	!	39	1 Gasket
		A		
43	3617V015	!	1	1 Gasket
		●	3681P053(1)	
		A		
44	3617V016	!	39	1 Gasket
		●	3681P053(1)	
		A		
45	3681P046	!	39	1 Gasket
		A		
46	26420318	!	39	1 Ring
		A		
47	3688A041	!	39	1 Ring
		A		
48	3688A039	!	39	1 Gasket
		A		
49	3682A011	!	39	1 Gasket
		A		
50	3688A035	!	39	1 Ring
		●	3688A053(1)	
		A		
51	3685A024	!	39	1 Ring
		●	3685A033(1)	
		A		

Engine

F/XL Tier 2 (2003-2008) - RP51 - F85 F/XL/GE

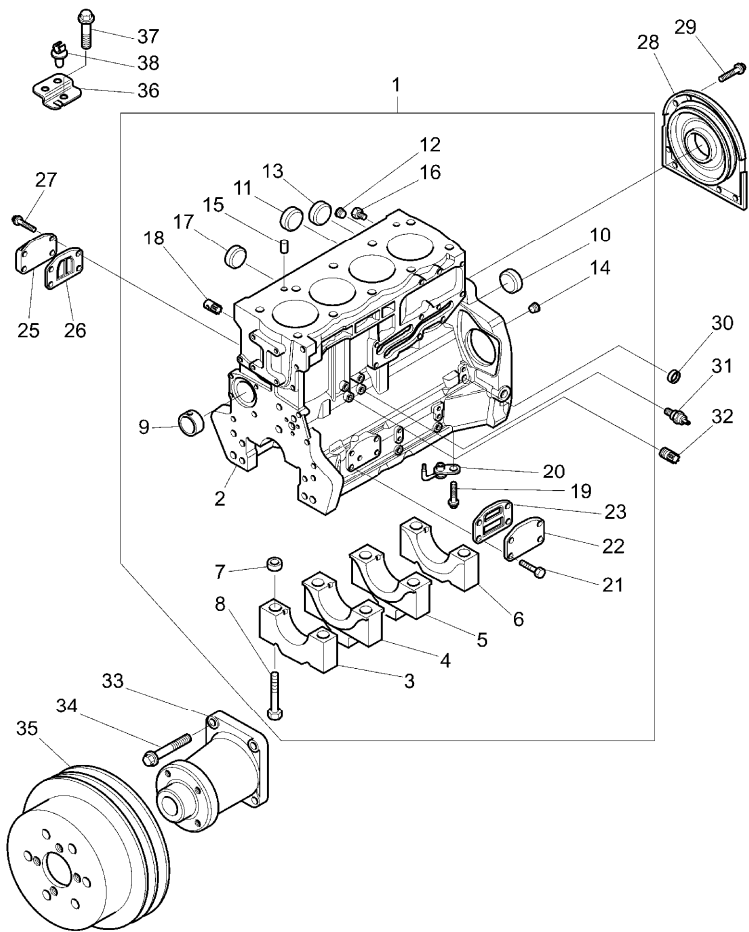
A-05
02



A0502

Cylinder block

Rex F Foot Step\00010995.png



Inglese

52 3685A025 ! 39

1 Ring

A

! This is a component of an assembly

Not serviced, order

Replacement

T-A Replacement

A Not illustrated

Engine

F/XL Tier 2 (2003-2008) - RP51 - F85 F/XL/GE

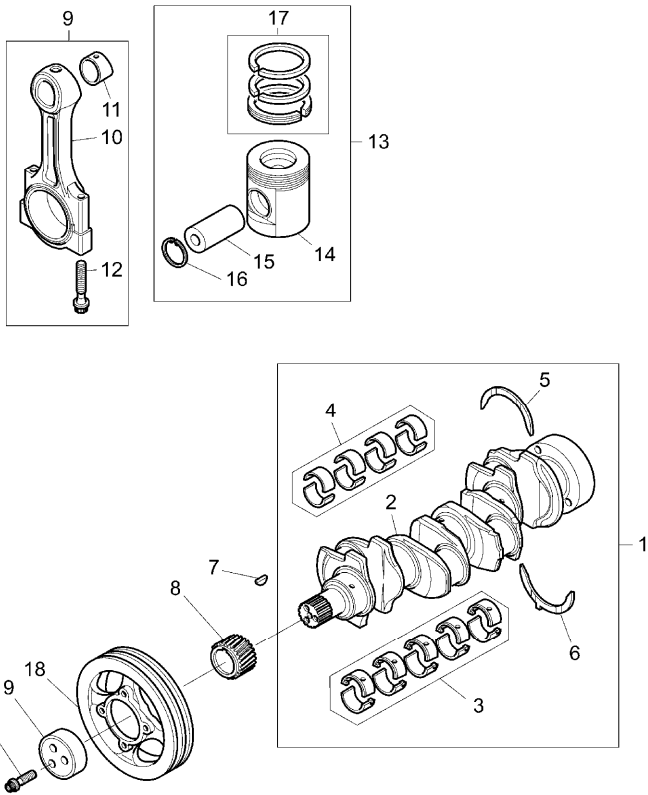
Rex F Foot Step00010997.png

A-05
03



A0503

Crankshaft, pistons and connecting rods



Inglese

- | | | | | | |
|---|-----------|-----|--------------|---|------------|
| 1 | ZZ90224 | ➔ | U491476 t | 1 | Kit |
| | | ● | ZZ90239(1) | | |
| | | T-A | 18:50 | | |
| 1 | ZZ90237 | ➔ | U491477 t | 1 | Shaft |
| 2 | | ! | 1 | 1 | Crankshaft |
| | | ➔ | Zz90224 | | |
| 3 | U5MB0018 | ! | 1 | 1 | Kit |
| | | ➔ | U491476 t | | |
| | | ● | U5MB0033(1) | | |
| | | T-A | 18:50 | | |
| 3 | U5MB0018A | ⚡ | (+)0.010" | 1 | Kit |
| | | ! | 1 | | |
| | | ➔ | U491476 t | | |
| | | ● | U5MB0033A(1) | | |
| | | T-A | 18:50 | | |
| 3 | U5MB0018B | ⚡ | (+)0.020" | 1 | Kit |
| | | ! | 1 | | |
| | | ➔ | U491476 t | | |
| | | ● | U5MB0033B(1) | | |
| | | T-A | 18:50 | | |
| 3 | U5MB0018C | ⚡ | (+)0.030" | 1 | Kit |
| | | ! | 1 | | |
| | | ➔ | U491476 t | | |
| | | ● | N.L.A.(1) | | |
| | | T-A | 18:50 | | |

Engine

F/XL Tier 2 (2003-2008) - RP51 - F85 F/XL/GE

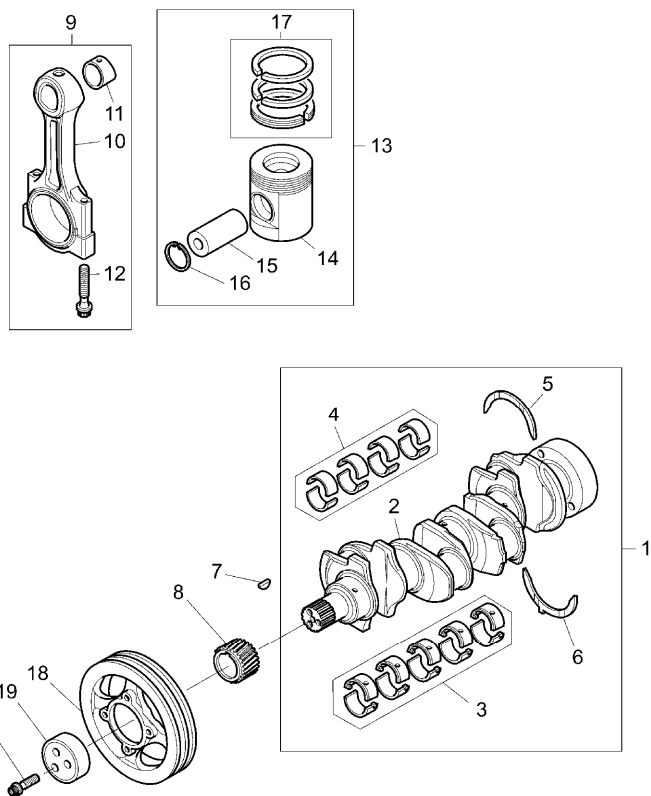
Rex F Foot Step00010997.png

A-05
03



A0503

Crankshaft, pistons and connecting rods



Inglese

- | | | | | |
|---|-----------|-----|--------------|-------|
| 3 | U5MB0033 | ! | 1 | 1 Kit |
| | | ➔ | U491477 t | |
| 3 | U5MB0033A | ! | 1 | 1 Kit |
| | | ⊗ | -0,25mm | |
| | | ➔ | U491477 t | |
| 3 | U5MB0033B | ! | 1 | 1 Kit |
| | | ⊗ | -0,50mm | |
| | | ➔ | U491477 t | |
| 3 | U5MB0033C | ! | 1 | 1 Kit |
| | | ⊗ | -0,75mm | |
| | | ➔ | U491477 t | |
| | | ● | N.L.A.(1) | |
| 4 | T400002 | ! | 1 | 1 Kit |
| | | ➔ | U491477 t | |
| | | ● | T410927(1) | |
| 4 | U5ME0026 | ! | 1 | 1 Kit |
| | | ➔ | U491476 t | |
| | | ● | U5ME0034(1) | |
| | | T-A | 18:50 | |
| 4 | U5ME0026A | ! | 1 | 1 Kit |
| | | ⊗ | +0,25mm | |
| | | ➔ | U491476 t | |
| | | ● | U5ME0034A(1) | |
| | | T-A | 18:50 | |

Engine

F/XL Tier 2 (2003-2008) - RP51 - F85 F/XL/GE

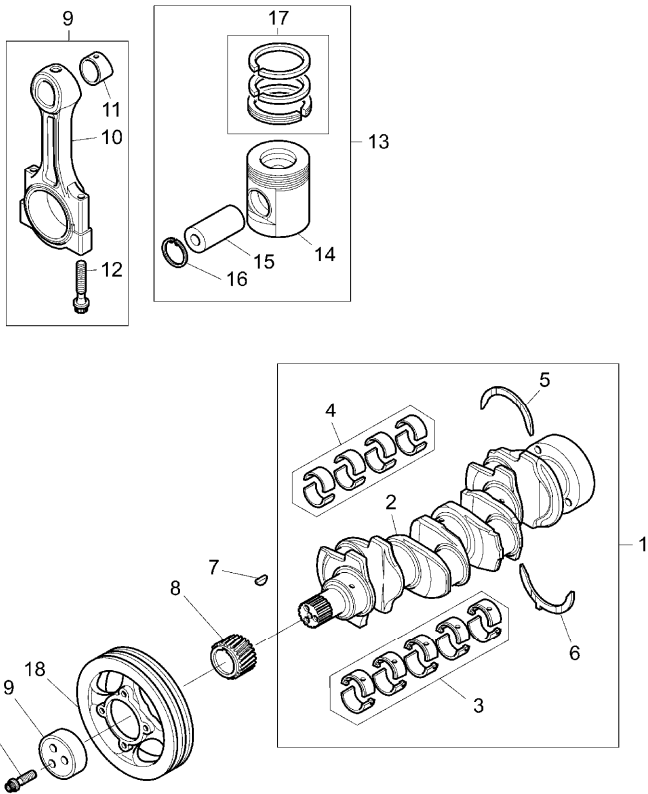
Rex F Foot Step00010997.png

A-05
03



A0503

Crankshaft, pistons and connecting rods



Inglese

4	U5ME0026B	!	1	1 Kit
		⚡	+0,50mm	
		➡	U491476 t	
		●	U5ME0034B(1)	
		T-A	18:50	
4	U5ME0026C	!	1	1 Kit
		⚡	+0,75mm	
		➡	U491476 t	
		●	U5ME0034C(1)	
		T-A	18:50	
5	31137312	⚡	(+)0.007"	2 Ring
		!	1	
		T-A	18:50	
5	31137551	!	1	2 Washer
		T-A	18:50	
6	31137322	⚡	(+)0.007"	2 Ring
		!	1	
		T-A	18:50	
6	31137561	!	1	2 Washer
		T-A	18:50	
7	0500012			1 Key
8	3117C221	T-A	13:0	1 Gear
9	4115C311	➡	U491476 t	4 Kit
		F		
		T-A	17:0	

Engine

F/XL Tier 2 (2003-2008) - RP51 - F85 F/XL/GE

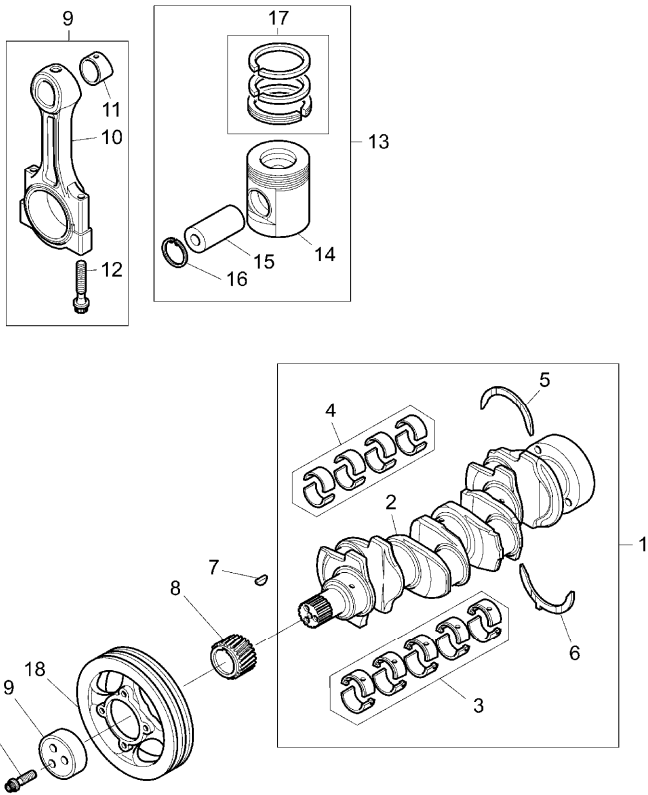
Rex F Foot Step00010997.png

A-05
03



A0503

Crankshaft, pistons and connecting rods



Inglese

9	4115C312	➡	U491476 t	4	Kit
			E		
			T-A 17:0		
9	4115C313	➡	U491476 t	4	Kit
			D		
			T-A 17:0		
9	4115C314	➡	U491476 t	4	Kit
			C		
			T-A 17:0		
9	4115C315	➡	U491476 t	4	Kit
			B		
			T-A 17:0		
9	4115C316	➡	U491476 t	4	Kit
			A		
			T-A 17:0		
9	4115C361	➡	U491477 t	4	Conrod
			F		
9	4115C362	➡	U491477 t	4	Conrod
			E		
9	4115C363	➡	U491477 t	4	Conrod
			D		
9	4115C364	➡	U491477 t	4	Conrod
			C		
9	4115C365	➡	U491477 t	4	Conrod
			B		

Engine

F/XL Tier 2 (2003-2008) - RP51 - F85 F/XL/GE

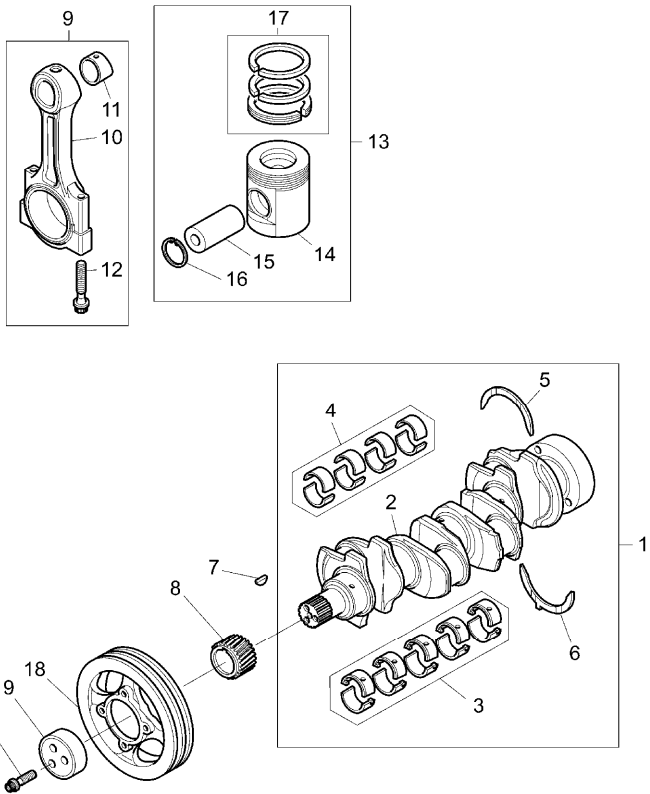
Rex F Foot Step00010997.png

**A-05
03**



A0503

Crankshaft, pistons and connecting rods



		Inglese	
9	4115C366	➔ U491477 t	4 Conrod
		A	
10		! 9	1 Conrod
		➔ Ref.n.9	
11	3112A005	! 9	1 Bush
		T-A 17:0	
12	3212V003	! 9	2 Screw
		➔ U491476 t	
12	T400001	! 9	2 Screw
		➔ U491477 t	
13	4115P011	T-A 17:0	4 Kit
14		! 13	1 Piston
		➔ 4115p011	
15		! 13	1 Pin
		➔ 4115p011	
16	2721332	! 13	2 Ring
17	UPRK0003	! 13	1 Kit
		(X) 1.2.5.	
		T-A 17:0	
18	3115A141	➔ U491477 t	1 Pulley
18	3115T051	➔ U491476 t	1 Pulley
		T-A 2:0	
19	3241N001	➔ U491476 t	1 Block
		T-A 2:0	
20	32186137	➔ U491476 t	3 Screw
20	32186146	➔ U491477 t	3 Bolt

Engine

A-05
03

Crankshaft, pistons and connecting rods

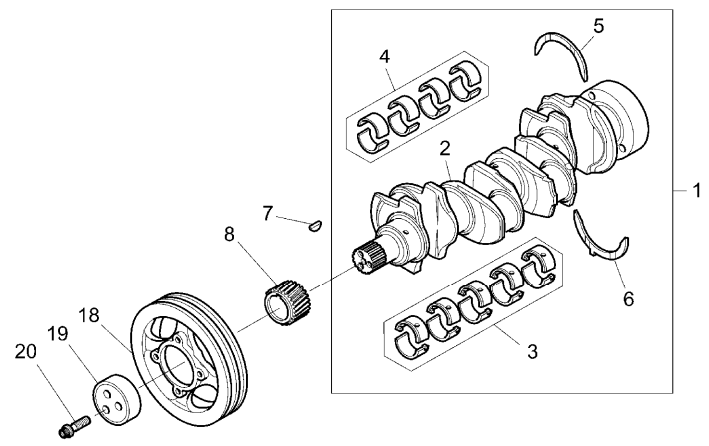
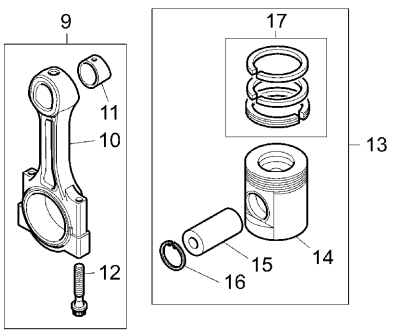
F/XL Tier 2 (2003-2008) - RP51 - F85 F/XL/GE



A0503

Rex F Foot Step00010997.png

- ! This is a component of an assembly
- ➔ From serial or engine number
- ➡ Up to serial or engine number
- 🛠 Not serviced, order
- ⚡ Shim
- Replacement
- (X) Qty per tractors sold (aa.bbb.ccc.ddd) (aa) for 1,(bbb) 2-10 (ccc) 11-25 (ddd) 26-50
- T-A Replacement
- A Blue
- B Purple
- C Green
- D White
- E Orange
- F Red



Engine

F/XL Tier 2 (2003-2008) - RP51 - F85 F/XL/GE

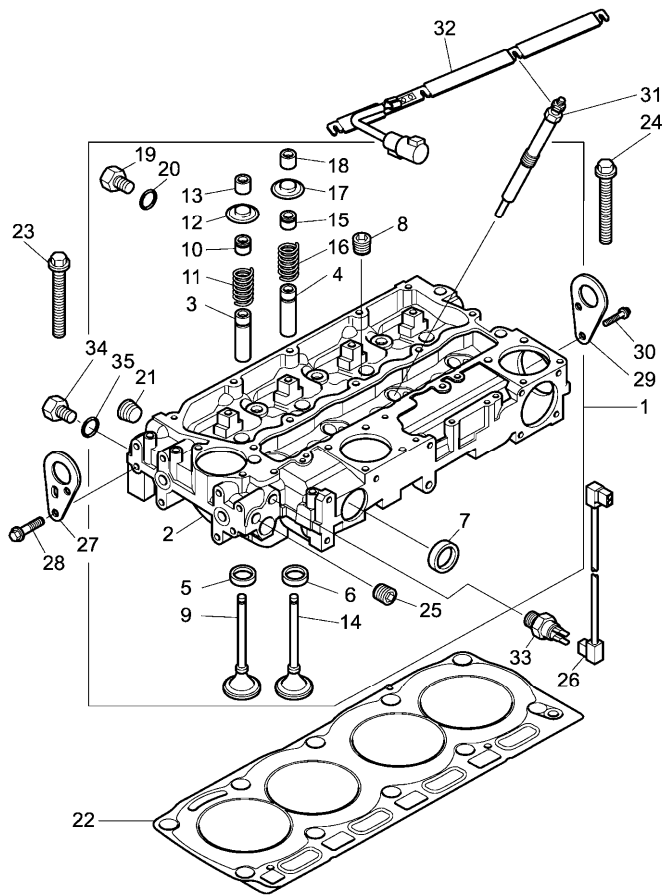
Rex F Foot Step\00010998.png

A-05
04



A0504

Cylinder head



		Inglese
1	ZZ80270	1 Cylinder head
2	! 1	1 Head
	➡ Zz80268	
3	3313E021	4 Guide
	● 3313A012(4)	
	T-A 7:50	
4	3313E021	4 Guide
	! 1	
	● 3313A012(4)	
	T-A 7:50	
5	3314A151	4 Insert
	! 1	
	● 3314A241(4)	
	T-A 7:50	
6	3314A161	4 Insert
	! 1	
	● 3314A231(4)	
	T-A 7:50	
7	32416117	2 Plug
	! 1	
	T-A 1:0	
8	0650588	4 Plug
	! 1	
	T-A 0:50	
9	3142H071	4 Valve
	! 1	
	T-A 7:50	
10	2418M514	4 Ring
	! 1	
	● N.L.S.(4)	
	T-A 3:0	
11	3174A016	4 Spring
	! 1	
	T-A 3:0	

Engine

F/XL Tier 2 (2003-2008) - RP51 - F85 F/XL/GE

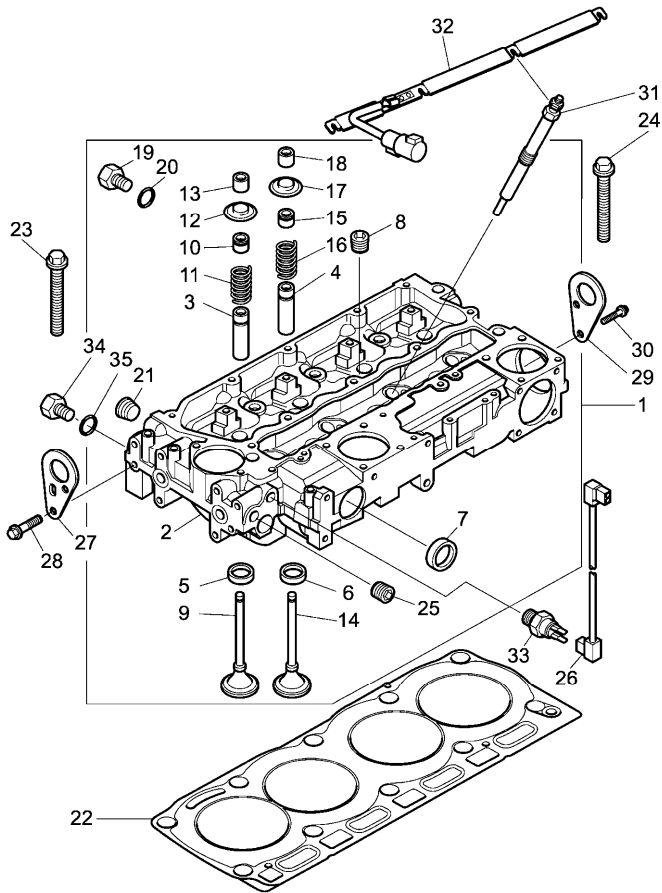
Rex F Foot Step\00010998.png

**A-05
04**



A0504

Cylinder head



			Inglese
12	3342A011	! 1	4 Cover
		T-A 3:0	
13	3142W004	! 1	8 Cotter
		T-A 3:0	
14	3142A151	! 1	4 Valve
		T-A 7:50	
15	2418M514	! 1	4 Ring
		● N.L.S.(4)	
		T-A 3:0	
16	3174A016	! 1	4 Spring
		T-A 3:0	
17	3342A011	! 1	4 Cover
		T-A 3:0	
18	3142W004	! 1	8 Cotter
		T-A 3:0	
19	3278A006	! 1	1 Plug
20	2415H003	! 1	1 Ring
21	2431154	! 1	1 Plug
22	3681E044	✂ 3681e046	1 Gasket
		● N.L.S.(1)	
		T-A 4:0	
22	3681E046	✂ 3681e044	1 Gasket
		● 3681E051(1)	
		T-A 4:0	
23	3218A011		7 Screw
24	3218A012		3 Screw

Buy Now



Our support email:

ebooklibonline@outlook.com